



US00D805882S

(12) **United States Design Patent** (10) **Patent No.:** **US D805,882 S**
Berry (45) **Date of Patent:** **** *Dec. 26, 2017**

- (54) **MAGNETIC FASTENER**
- (71) Applicant: **Jason Eric Berry**, Arlington, VA (US)
- (72) Inventor: **Jason Eric Berry**, Arlington, VA (US)
- (*) Notice: This patent is subject to a terminal disclaimer.
- (**) Term: **14 Years**
- (21) Appl. No.: **29/478,240**
- (22) Filed: **Jan. 2, 2014**
- (51) **LOC (10) Cl.** **08-08**
- (52) **U.S. Cl.**
USPC **D8/382**
- (58) **Field of Classification Search**
USPC D8/349, 354, 382, 383, 388, 391, 394,
D8/397, 499; D11/86, 87, 181, 184, 200,
D11/220
CPC G09F 7/04; G09F 2021/023; A44B 17/00;
A44B 99/00; A41F 1/002; A45C 13/1069;
H01F 7/0263; Y10T 24/32; Y10T 292/11
See application file for complete search history.

(56) **References Cited**

U.S. PATENT DOCUMENTS

- 1,426,100 A * 8/1922 Pullen A44B 17/0082
24/114.4
- D181,909 S * 1/1958 Katz D11/69
- 3,094,757 A * 6/1963 Blake A44B 17/00
24/265 R
- 4,014,122 A * 3/1977 Woods B43M 9/00
40/358
- 5,195,336 A 3/1993 Mershon
- D338,040 S * 8/1993 Hutchinson D19/65
- D376,753 S * 12/1996 Nakamura D8/374
- D386,068 S * 11/1997 Nakamura D8/382
- 6,282,760 B1 9/2001 Mars
- D452,813 S * 1/2002 Morita D11/220
- 6,622,349 B2 9/2003 Wong
- D523,328 S * 6/2006 Ramos D8/382

- 7,120,972 B2 10/2006 O'Banion
 - 7,178,207 B2 2/2007 Wong
 - 7,226,370 B1 6/2007 Cope
 - 7,243,377 B2 7/2007 Ashy
- (Continued)

FOREIGN PATENT DOCUMENTS

- CA 2123308 C * 3/2003 H01F 7/0263
- EP 1346674 A2 * 9/2003 A47G 1/17

OTHER PUBLICATIONS

Say goodbye to pinning bibs forever: Racedots Review and Discount—This Mama Runs for Cupcakes, Image post date Nov. 10, 2014, Site visited on Sep. 25, 2015, <<http://www.thismamarunsforcupcakes.com/2014/11/say-goodbye-to-pinning-bibs-forever-racedots-review-and-discount.html>>.*

(Continued)

Primary Examiner — Sandra Snapp
Assistant Examiner — Ieisha Price
(74) *Attorney, Agent, or Firm* — Clyde E. Findley

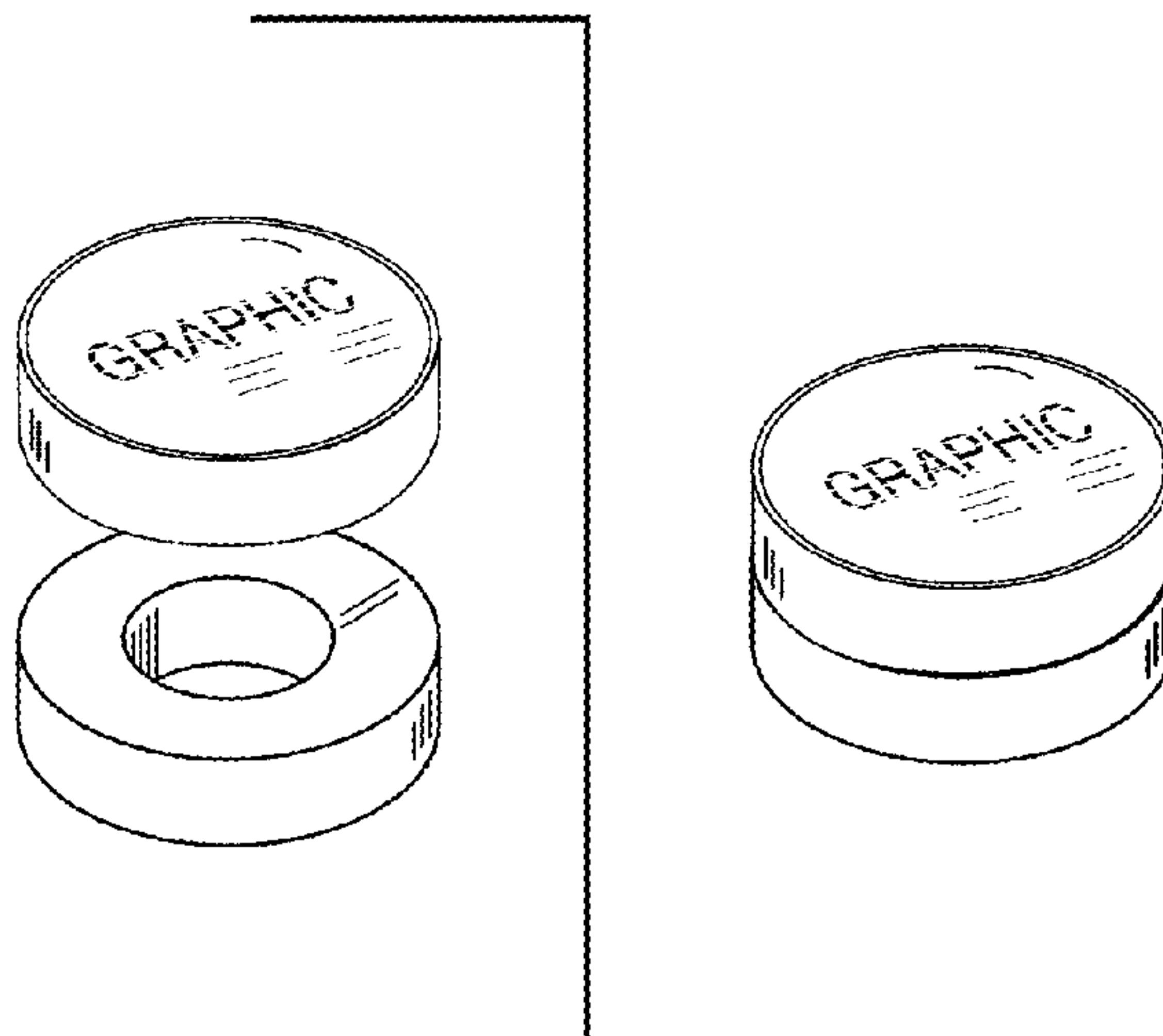
(57) **CLAIM**

The ornamental design for a magnetic fastener, as shown and described.

DESCRIPTION

FIG. 1 is a side view showing my new design with the two pieces separate, arrows show magnetic attraction
FIG. 2 is a side view showing my new design with the two pieces connected
FIG. 3 is a 3/4 top view showing a graphic under the clear dome
FIG. 4 is a 3/4 top view thereof with two pieces connected
FIG. 5 is a 3/4 bottom view thereof
FIG. 6 is a 3/4 bottom view thereof with two pieces connected
FIG. 7 is a top view of each piece; and,
FIG. 8 is a bottom view of each piece.

1 Claim, 2 Drawing Sheets



(56)

References Cited

U.S. PATENT DOCUMENTS

7,320,158	B2	1/2008	Deto	
7,344,379	B2	3/2008	Marmaropoulos	
D606,853	S *	12/2009	Shapiro	D8/397
D609,082	S *	2/2010	Camisasca	D8/382
7,721,470	B2	5/2010	Long	
7,976,934	B2	7/2011	Arai	
8,001,661	B2	8/2011	Clark	
D654,822	S *	2/2012	Greppi	D11/1
8,196,268	B1	6/2012	Placeres	
D739,222	S *	9/2015	Chadbourne	D8/394
2006/0150304	A1 *	7/2006	Bentz	A42B 3/08 2/421
2012/0210615	A1 *	8/2012	Coney	G09F 7/04 40/324
2013/0000084	A1 *	1/2013	Nassar	H01F 7/0252 24/303
2013/0327088	A1 *	12/2013	Smith	A44C 17/0216 63/15
2014/0082900	A1 *	3/2014	Smith	A44B 1/14 24/594.11
2014/0366242	A1 *	12/2014	Pulsifer	A41B 3/04 2/139
2015/0013117	A1 *	1/2015	Reinke	A63B 57/0075 24/303
2015/0113843	A1 *	4/2015	Berry	A41F 1/002 40/600

OTHER PUBLICATIONS

ATHLights, <http://athlights.com/faq/> (visited Oct. 4, 2014).
 My Maggies LLC, <http://www.mymaggies.com/> (visited Oct. 4, 2014).

* cited by examiner

FIG. 1

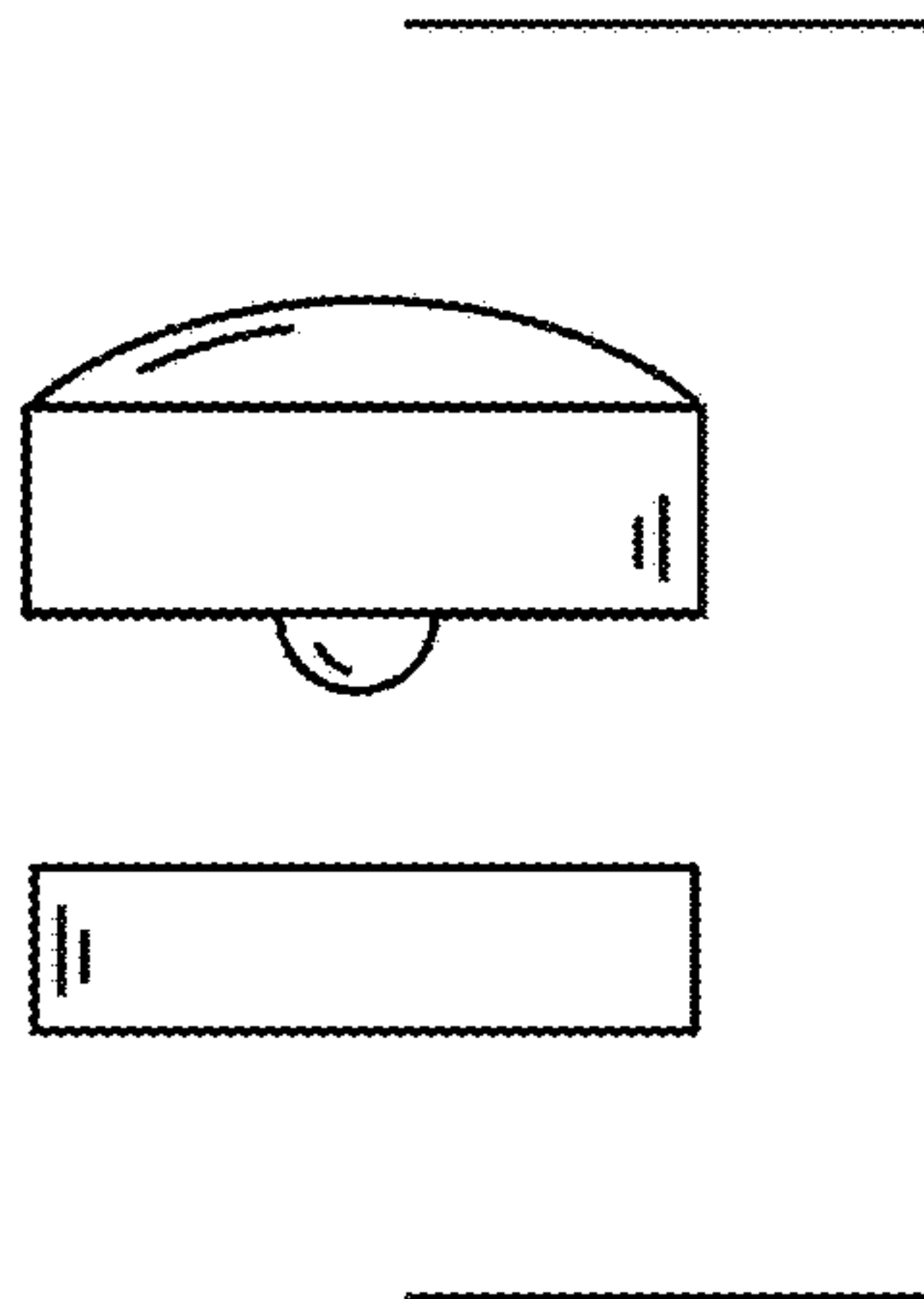


FIG. 2

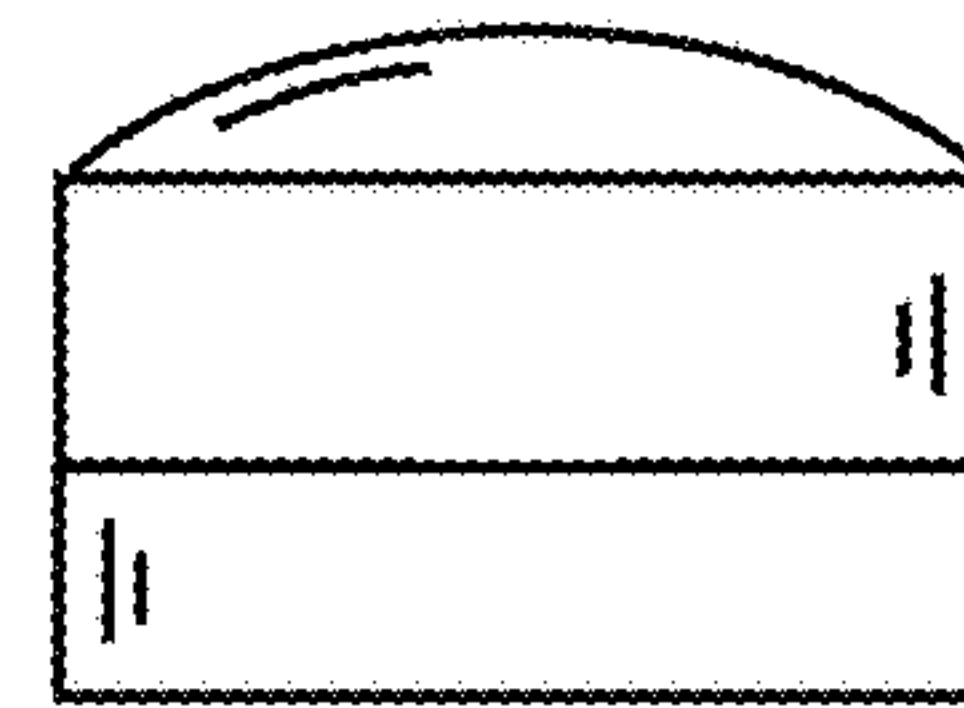


FIG. 3

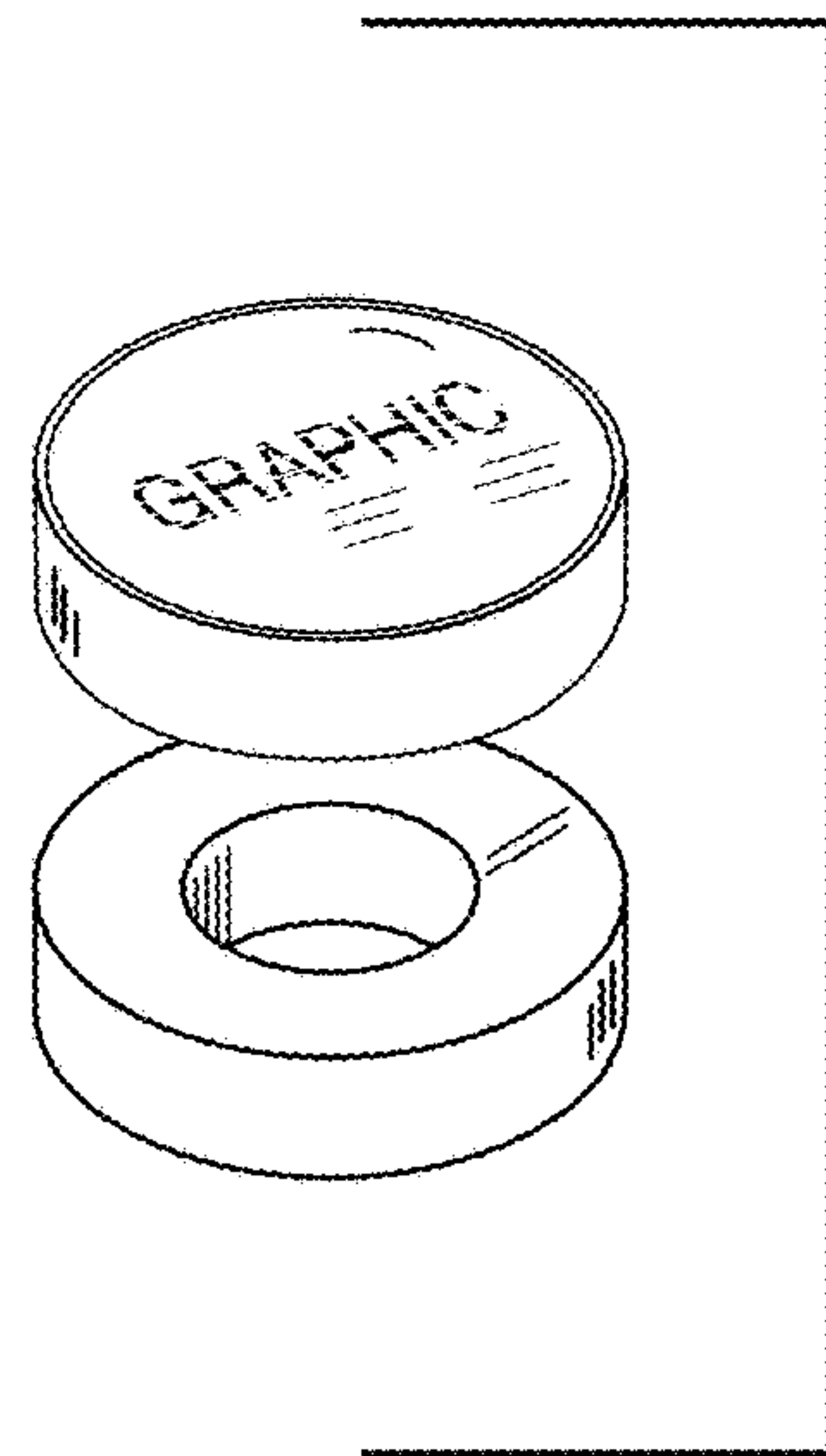


FIG. 4

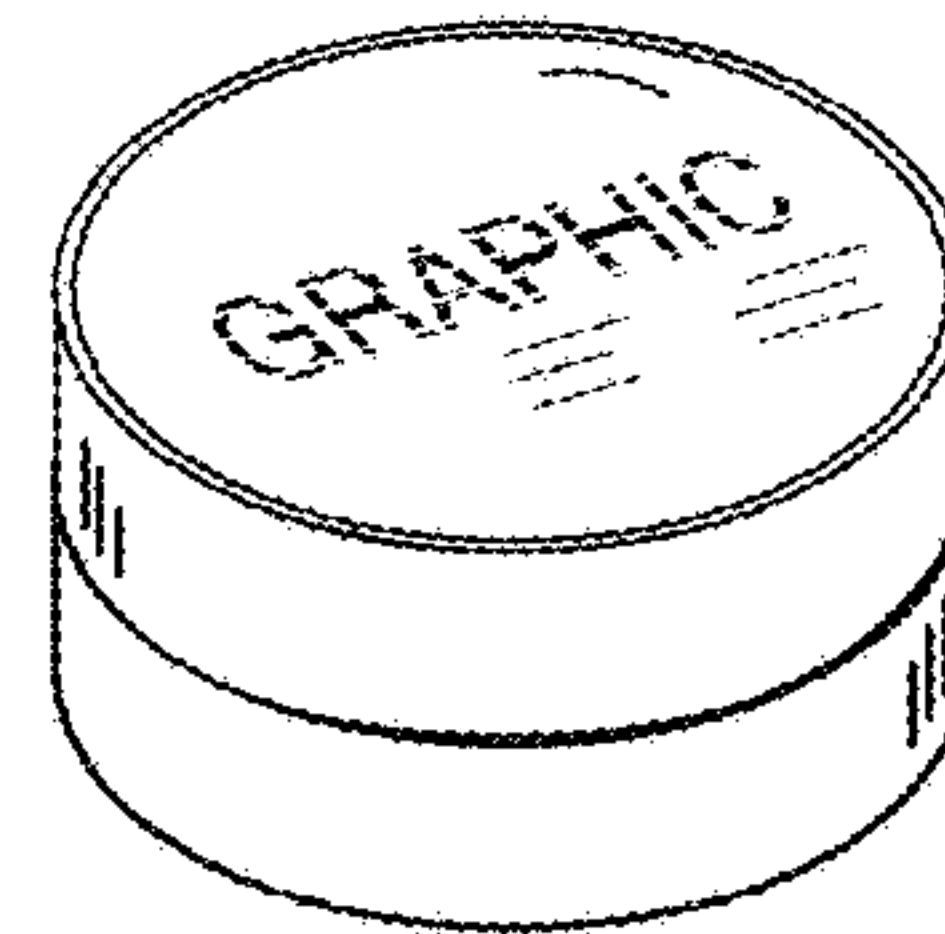


FIG. 5

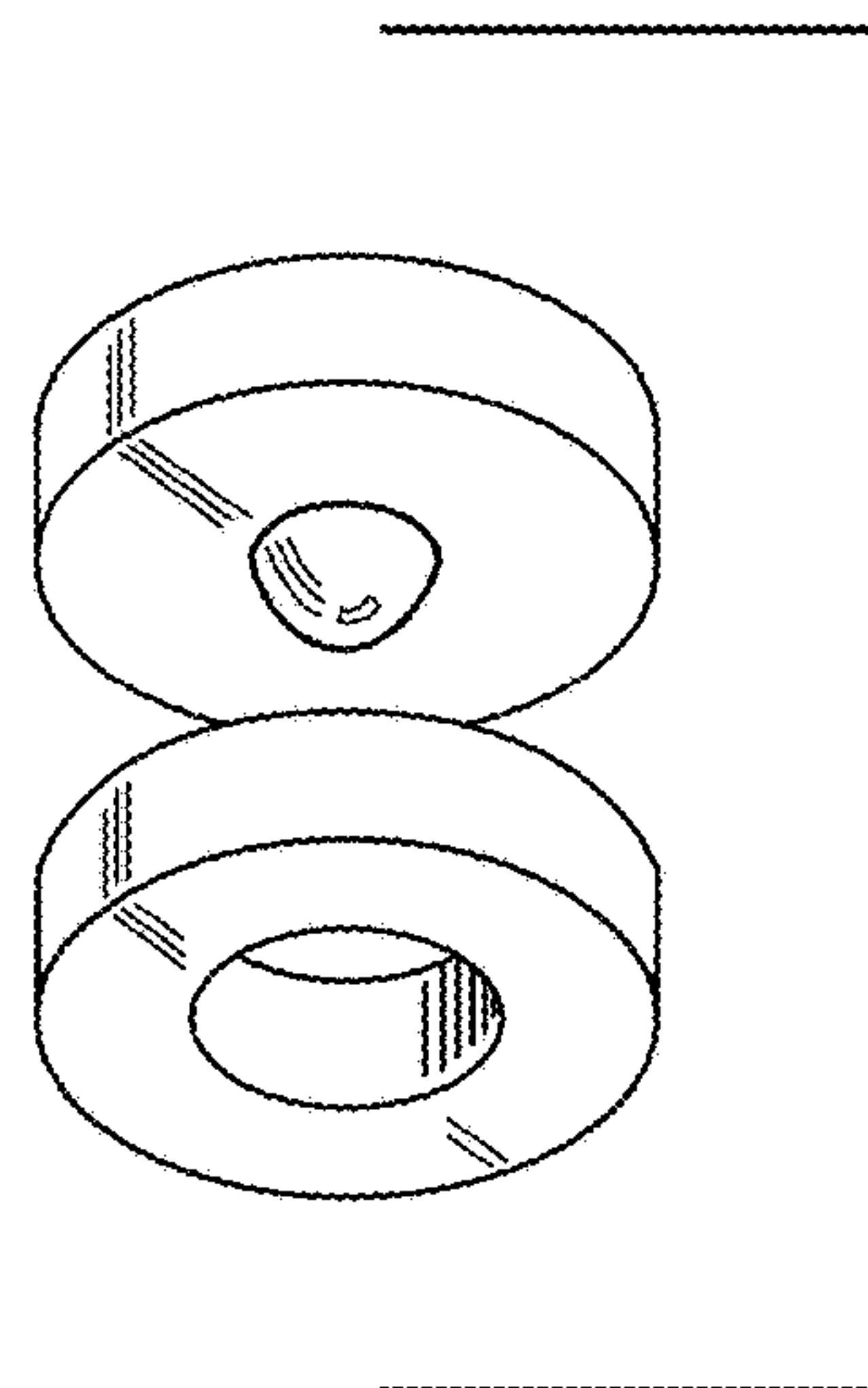


FIG. 6

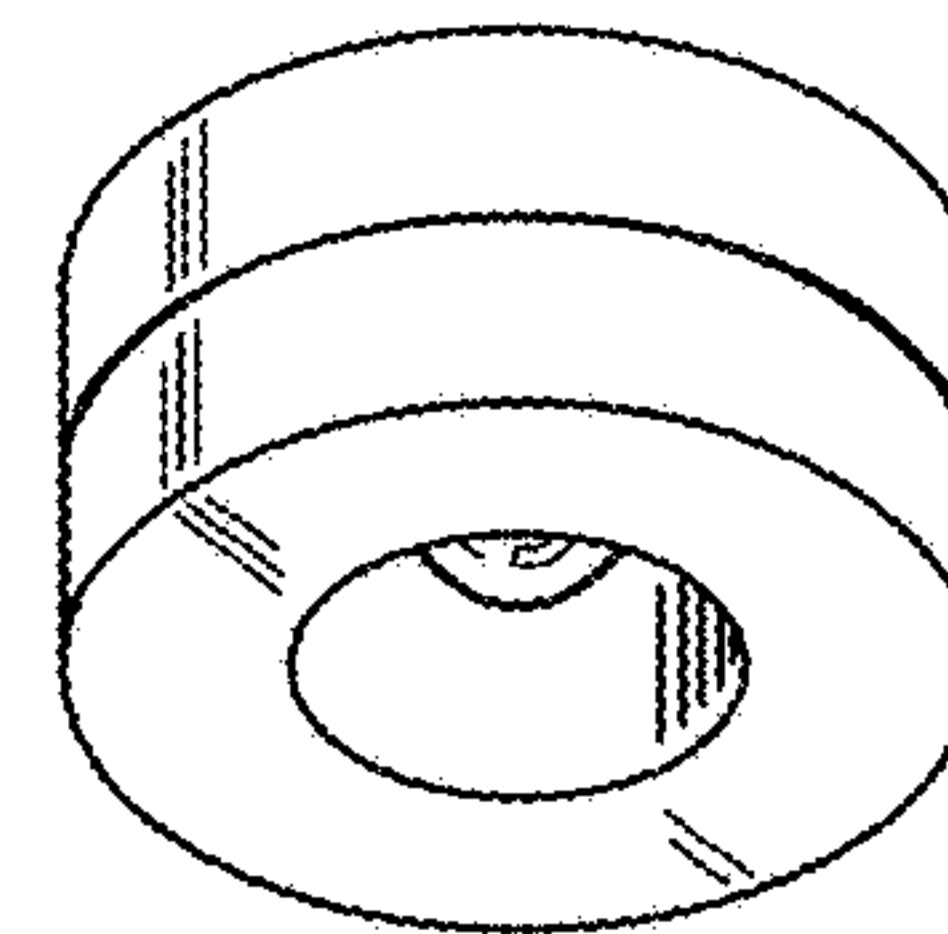


FIG. 7

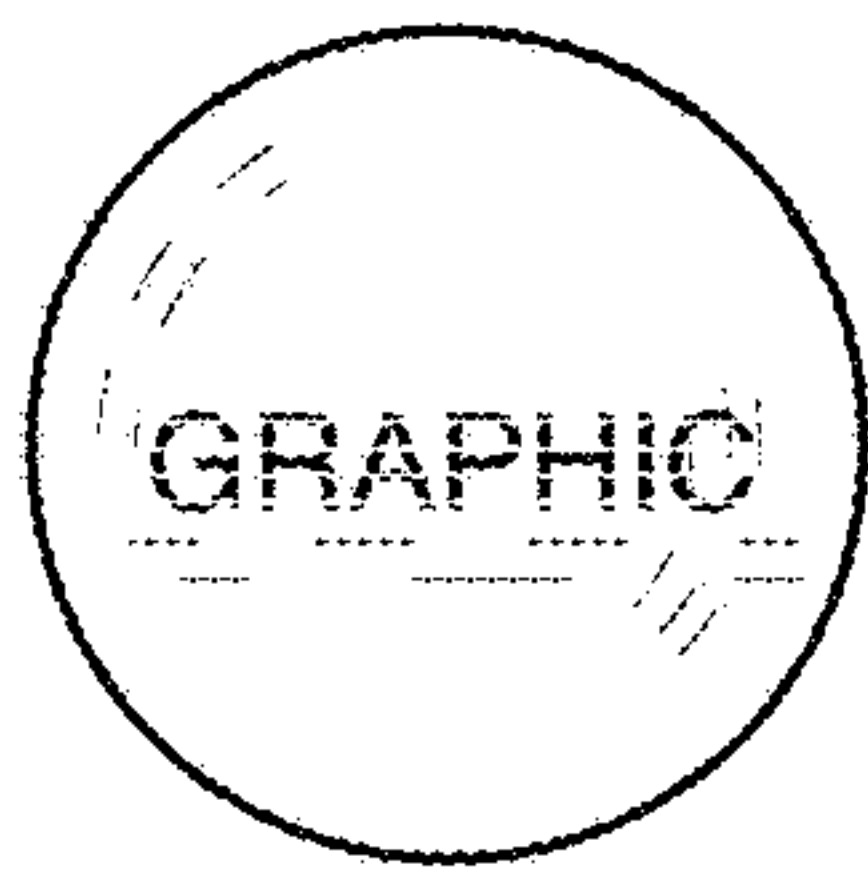


FIG. 9

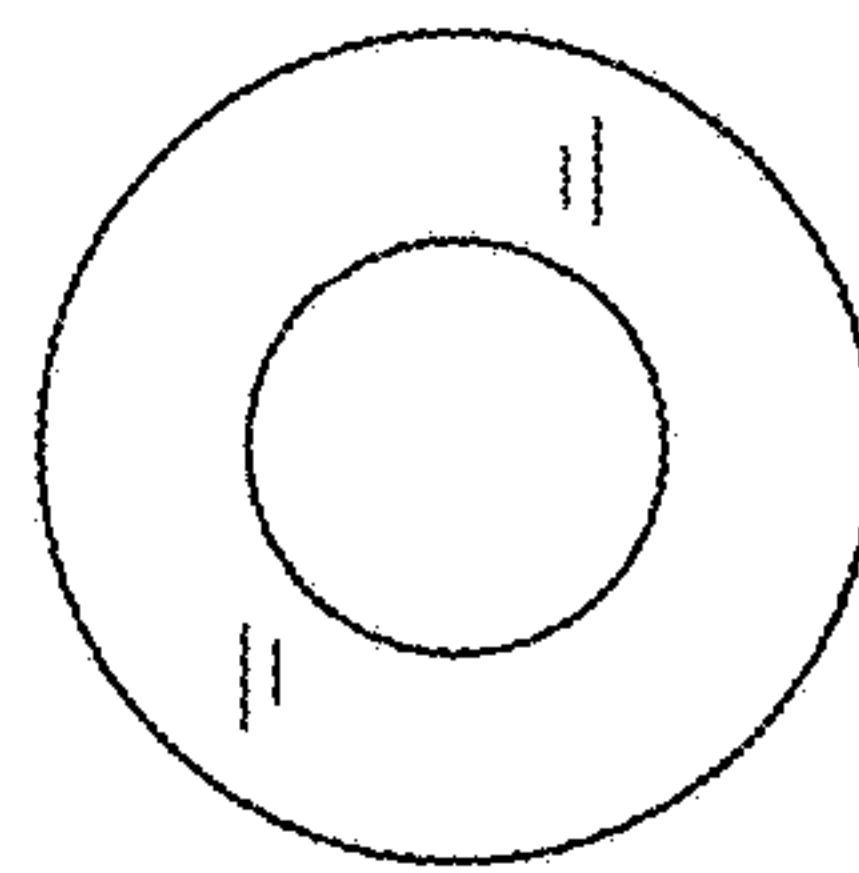


FIG. 8

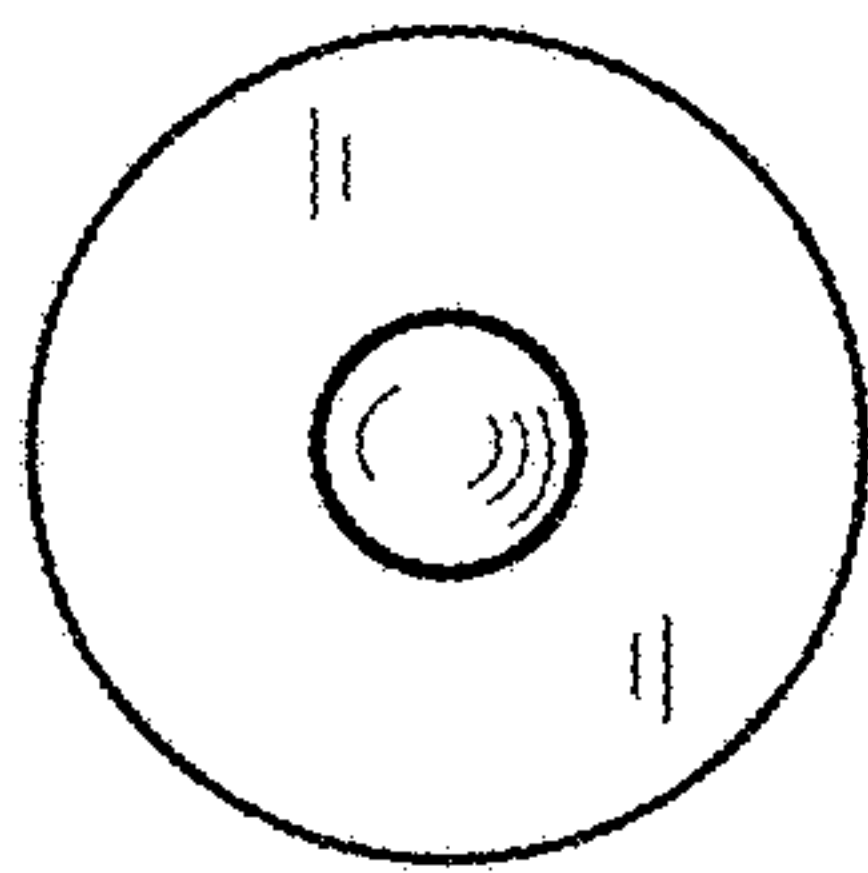


FIG. 10

