



US00D805881S

(12) **United States Design Patent** (10) **Patent No.:** **US D805,881 S**
Nehls (45) **Date of Patent:** **** Dec. 26, 2017**

(54) **HEAVY DUTY CANTILEVER BRACKET**
(71) Applicant: **Charles Olen Nehls**, Allen Park, MI (US)
(72) Inventor: **Charles Olen Nehls**, Allen Park, MI (US)
(73) Assignee: **UNISTRUT INTERNATIONAL CORPORATION**, Wayne, MI (US)

6,846,140 B2 * 1/2005 Anderson B60P 7/0815
410/102
D501,621 S * 2/2005 Ayers D6/574
D592,945 S * 5/2009 Mahan D8/381
D677,094 S * 3/2013 Mansor D6/566
8,562,241 B2 * 10/2013 Klepack B65G 21/02
198/860.1
D702,541 S * 4/2014 Mansor D8/381
D714,131 S * 9/2014 Mansor D8/381
9,173,506 B2 * 11/2015 Andersson A47B 57/42
9,433,285 B2 * 9/2016 Thrush A47F 5/08
2008/0014014 A1 * 1/2008 Nehls F16B 37/00
403/1

(**) Term: **15 Years**

(21) Appl. No.: **29/580,838**

(22) Filed: **Oct. 13, 2016**

(51) **LOC (10) Cl.** **08-05**

(52) **U.S. Cl.**
USPC **D8/381**

(58) **Field of Classification Search**
USPC D8/381, 380, 353, 354, 349, 366, 363,
D8/356, 373, 376, 377; 248/235, 300,
248/242, 249, 250
CPC A47B 96/06
See application file for complete search history.

(56) **References Cited**

U.S. PATENT DOCUMENTS

5,188,479 A * 2/1993 Nehls E04B 1/2403
403/300
D477,769 S * 7/2003 Shea D8/363

* cited by examiner

Primary Examiner — Lakiya Rogers
Assistant Examiner — Harold E Blackwell, II

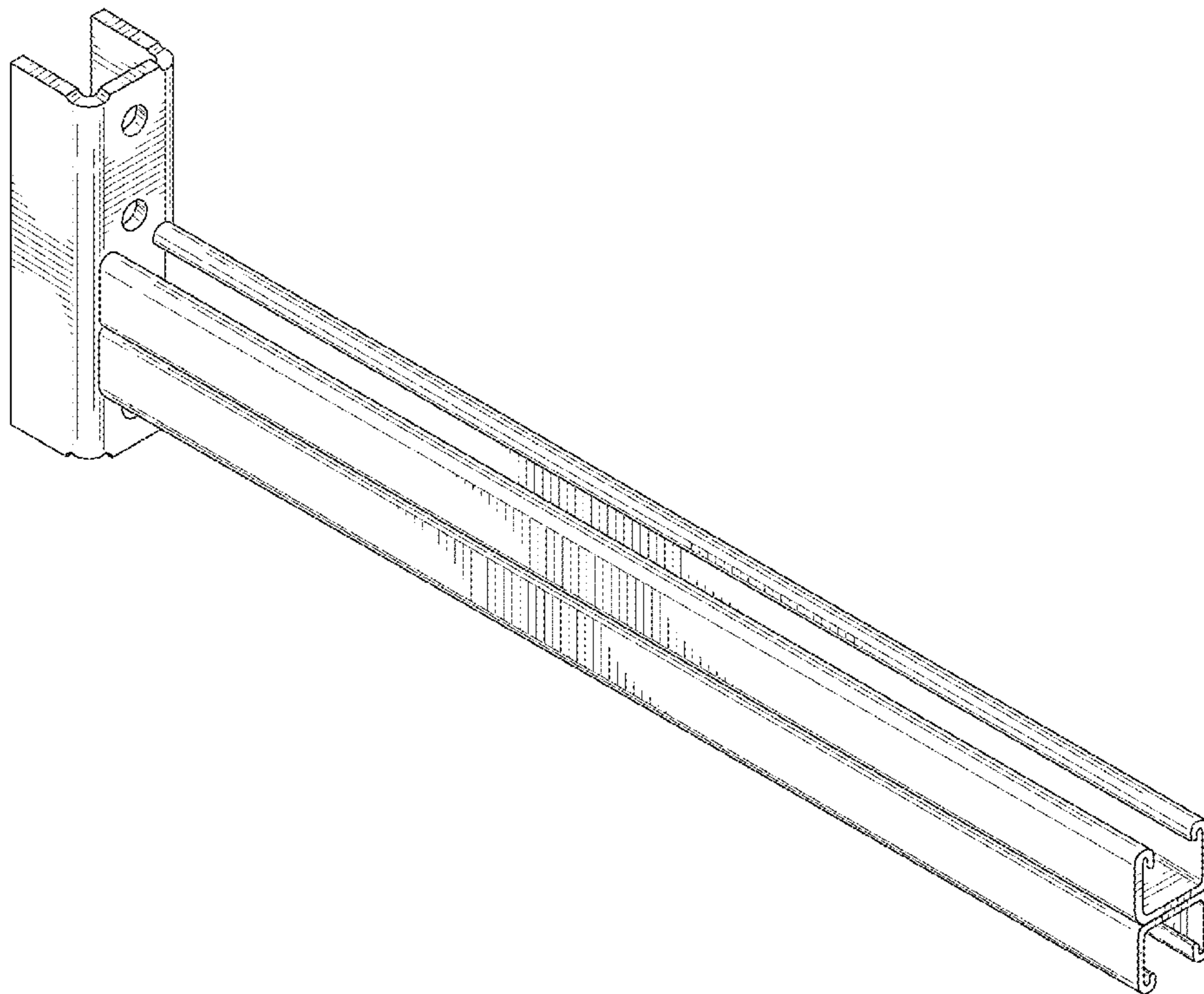
(57) **CLAIM**

The ornamental design for a heavy duty cantilever bracket, as shown and described.

DESCRIPTION

FIG. 1 is an isometric view showing our design of a heavy duty cantilever bracket;
FIG. 2 is a first side view of the design of FIG. 1;
FIG. 3 is a second side view of the design of FIG. 1;
FIG. 4 is a first end view of the design of FIG. 1;
FIG. 5 is a second end view of the design of FIG. 1;
FIG. 6 is a top view of the design of FIG. 1; and,
FIG. 7 is a bottom view of the design of FIG. 1.

1 Claim, 7 Drawing Sheets



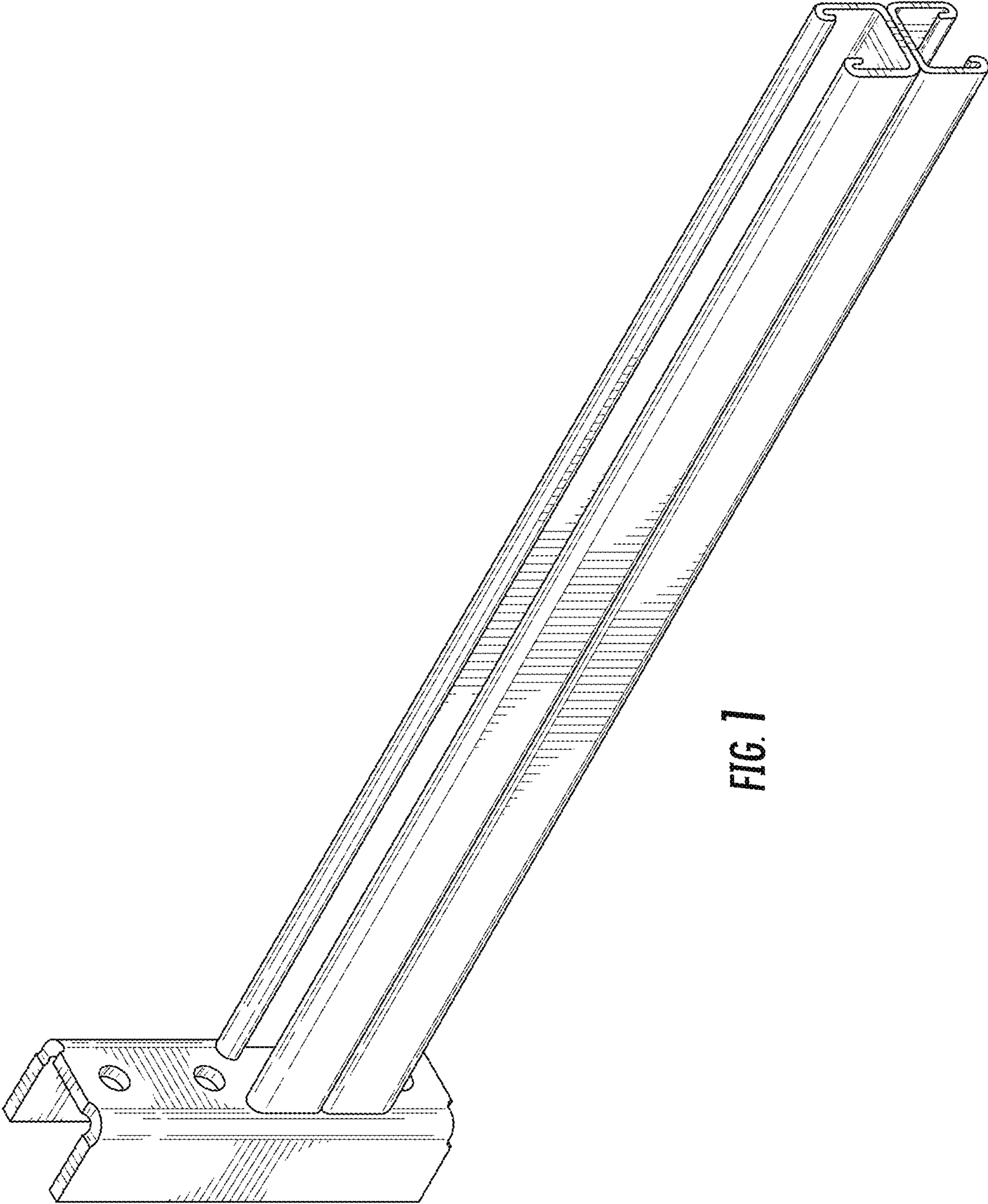


FIG. 1

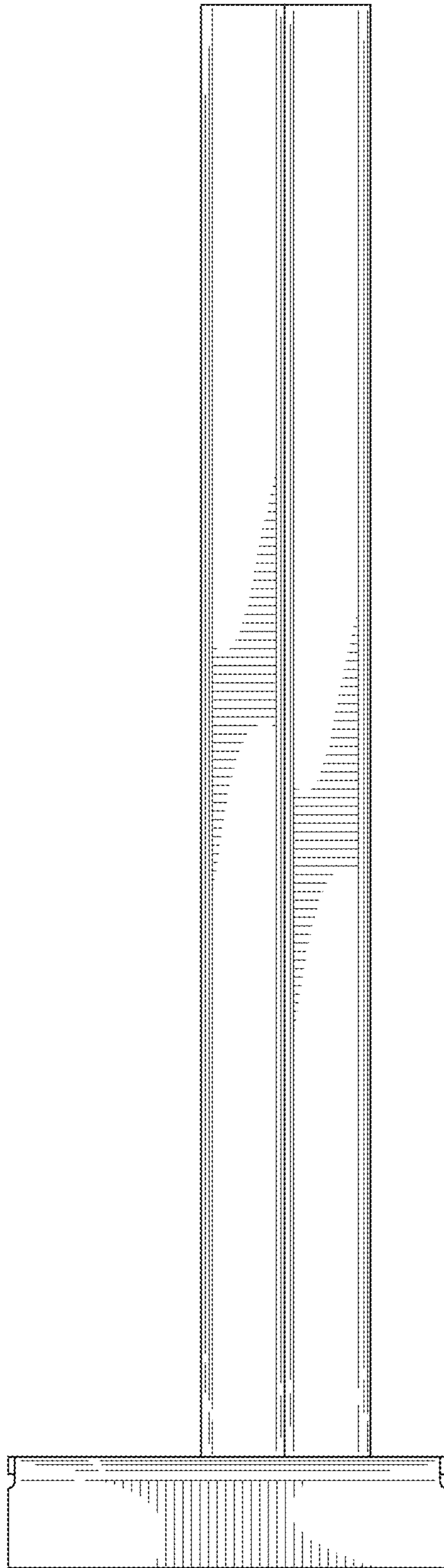


FIG. 2

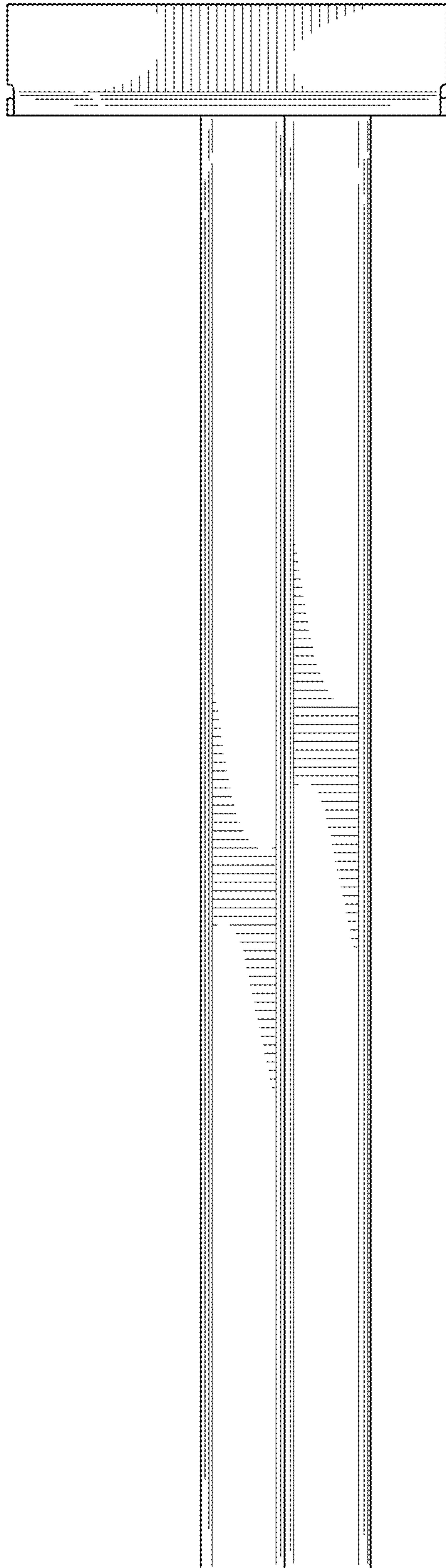


FIG. 3

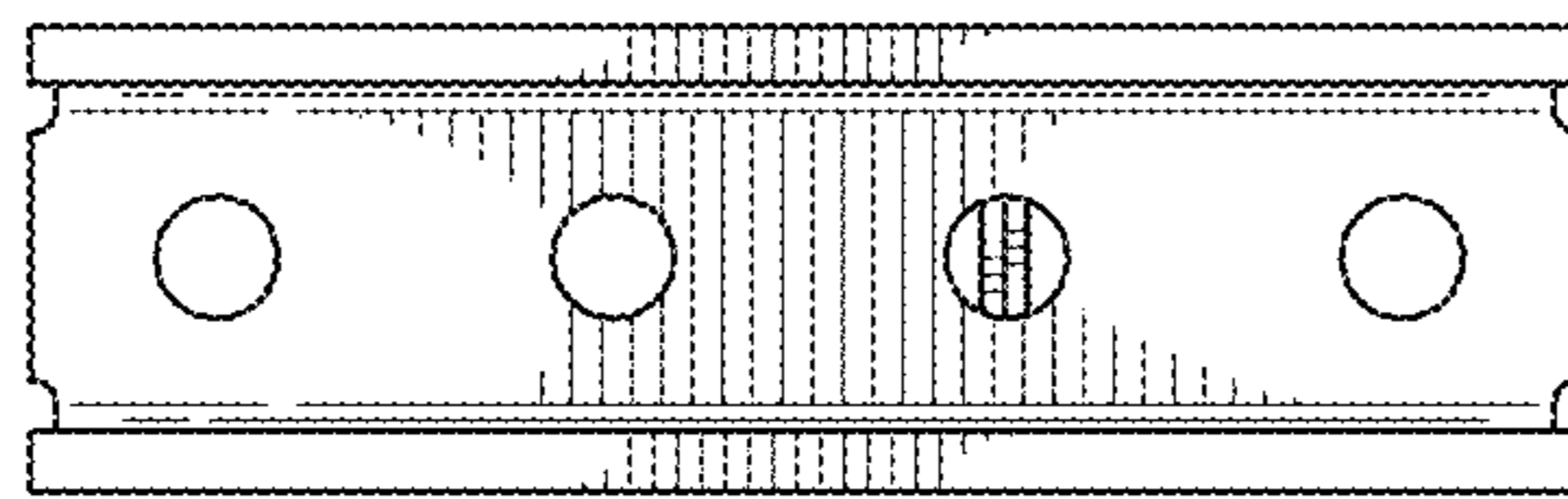


FIG. 4

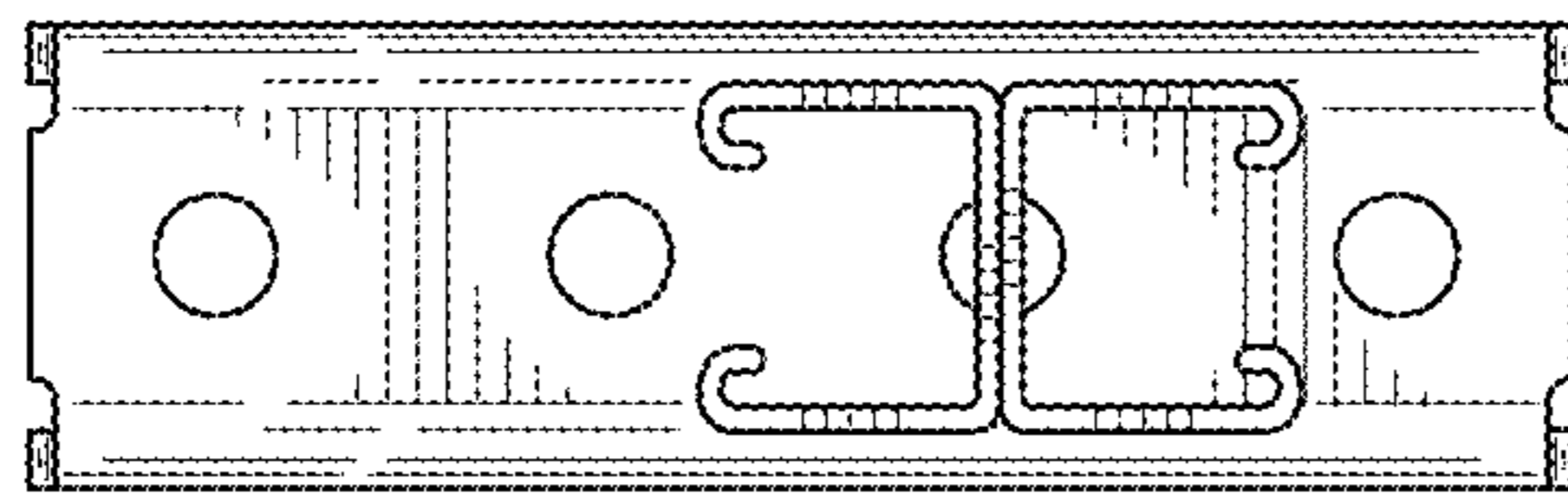


FIG. 5

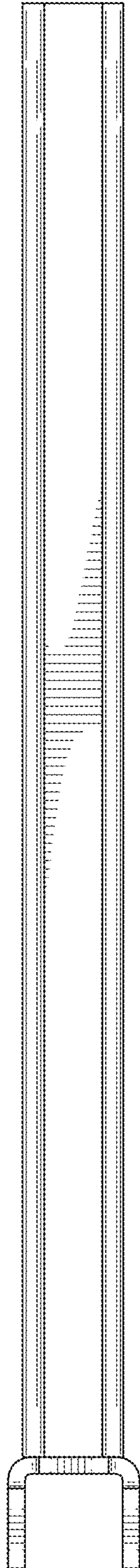


FIG. 6

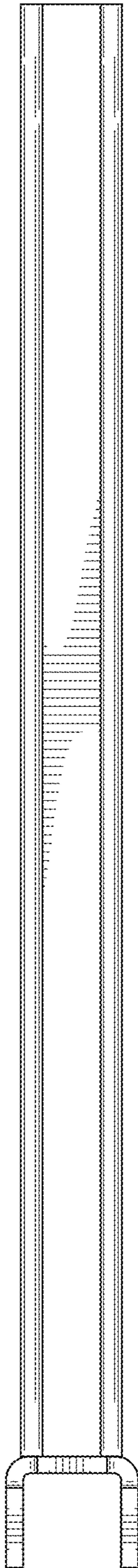


FIG. 7