



US00D805880S

(12) **United States Design Patent** (10) **Patent No.:** **US D805,880 S**
Bright et al. (45) **Date of Patent:** **** Dec. 26, 2017**

(54) **BRACKET**

(71) Applicant: **A&M Hardware, Inc**, Manheim, PA (US)
(72) Inventors: **Michael Bright**, Lilitz, PA (US);
Howard Horner, Manheim, PA (US)
(73) Assignee: **A&M Hardware, Inc**, Mount Joy, PA (US)

(**) Term: **15 Years**

(21) Appl. No.: **29/561,116**

(22) Filed: **Apr. 13, 2016**

(51) **LOC (10) Cl.** **08-05**

(52) **U.S. Cl.**
USPC **D8/381**

(58) **Field of Classification Search**
USPC D8/380, 381, 349; 108/108
CPC A47B 96/061; A47B 57/562; A47B 73/00;
A47B 81/007

See application file for complete search history.

(56) **References Cited**

U.S. PATENT DOCUMENTS

D127,587 S * 6/1941 MacArthur D8/381
D295,950 S * 5/1988 Johnston 108/108
D754,405 S * 4/2016 Herde D30/121
D769,698 S * 10/2016 Oltrogge D8/349

OTHER PUBLICATIONS

Concealed Flat Bracket CFLAT12, posted at aandmhardware.com, dated Feb. 19, 2016, [online], [site visited Jan. 13, 2017]. Available from Internet, <URL: <http://www.aandmhardware.com/flats-2d-drawings.php>>.*

Concealed Flat Bracket CFLAT9, posted at aandmhardware.com, posting date not given, [online], [site visited Jan. 13, 2017]. Available from Internet, <URL: [http://www.aandmhardware.com/images/flats/3d-drawings/CFLAT9\(1.jpg\)](http://www.aandmhardware.com/images/flats/3d-drawings/CFLAT9(1.jpg))>.*

* cited by examiner

Primary Examiner — George D. Kirschbaum

Assistant Examiner — Maria J Edwards

(74) *Attorney, Agent, or Firm* — Steve O'Donnell

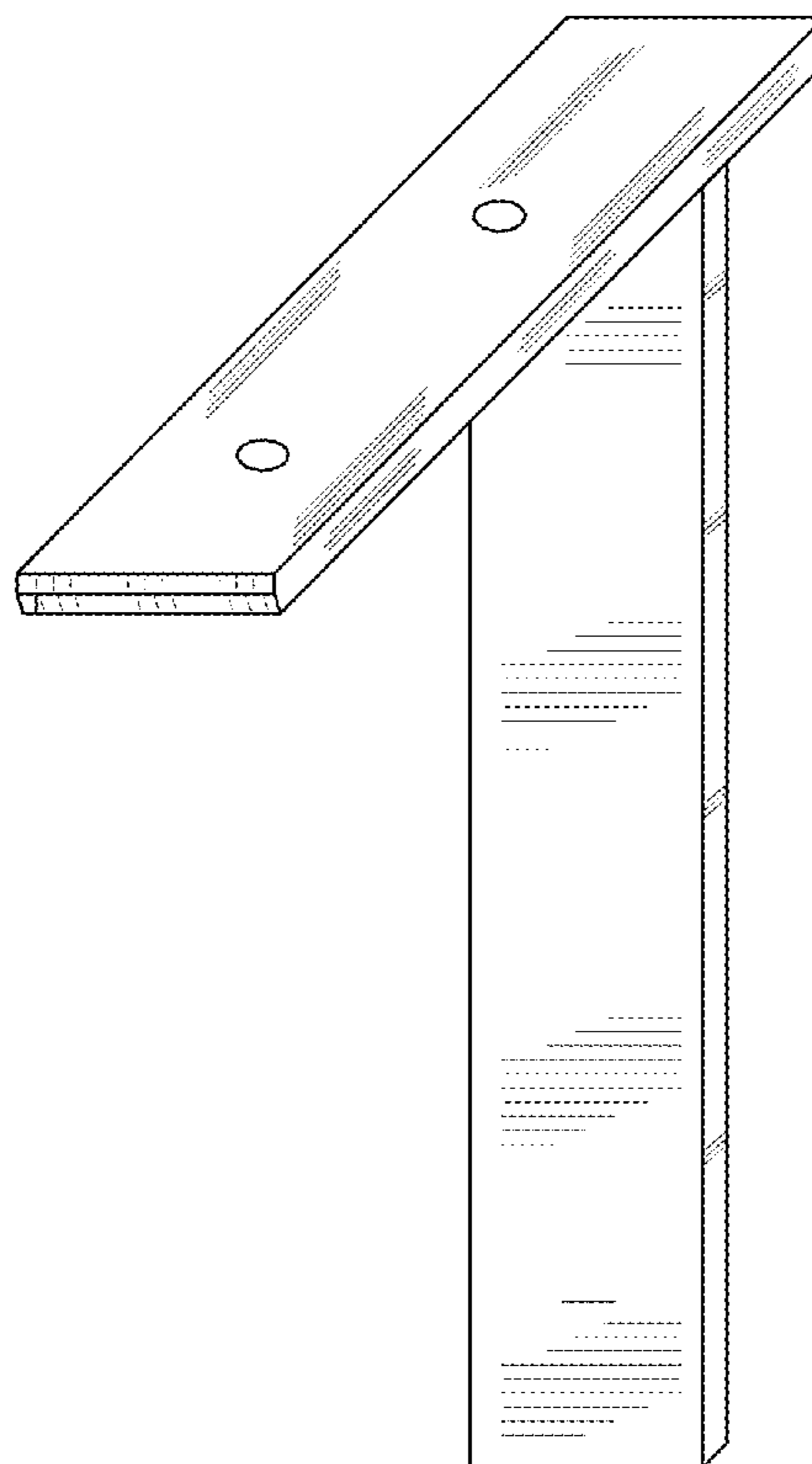
(57) **CLAIM**

The ornamental design for a bracket, as shown and described.

DESCRIPTION

FIG. 1 is a first perspective view of our design.
FIG. 2 is a second perspective view of our design; and,
FIG. 3 is a third perspective view of our design.

1 Claim, 3 Drawing Sheets



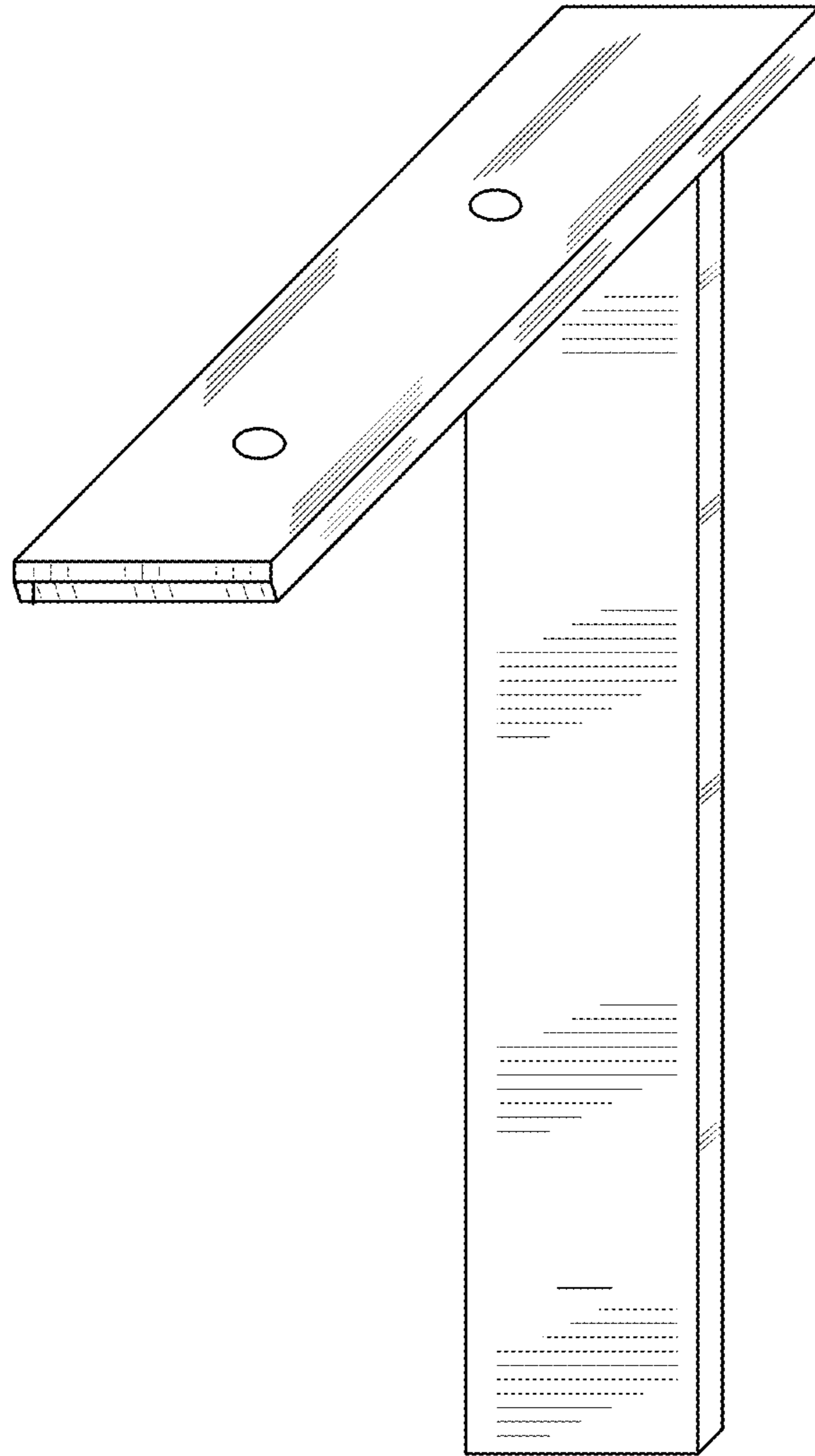


FIG. 1

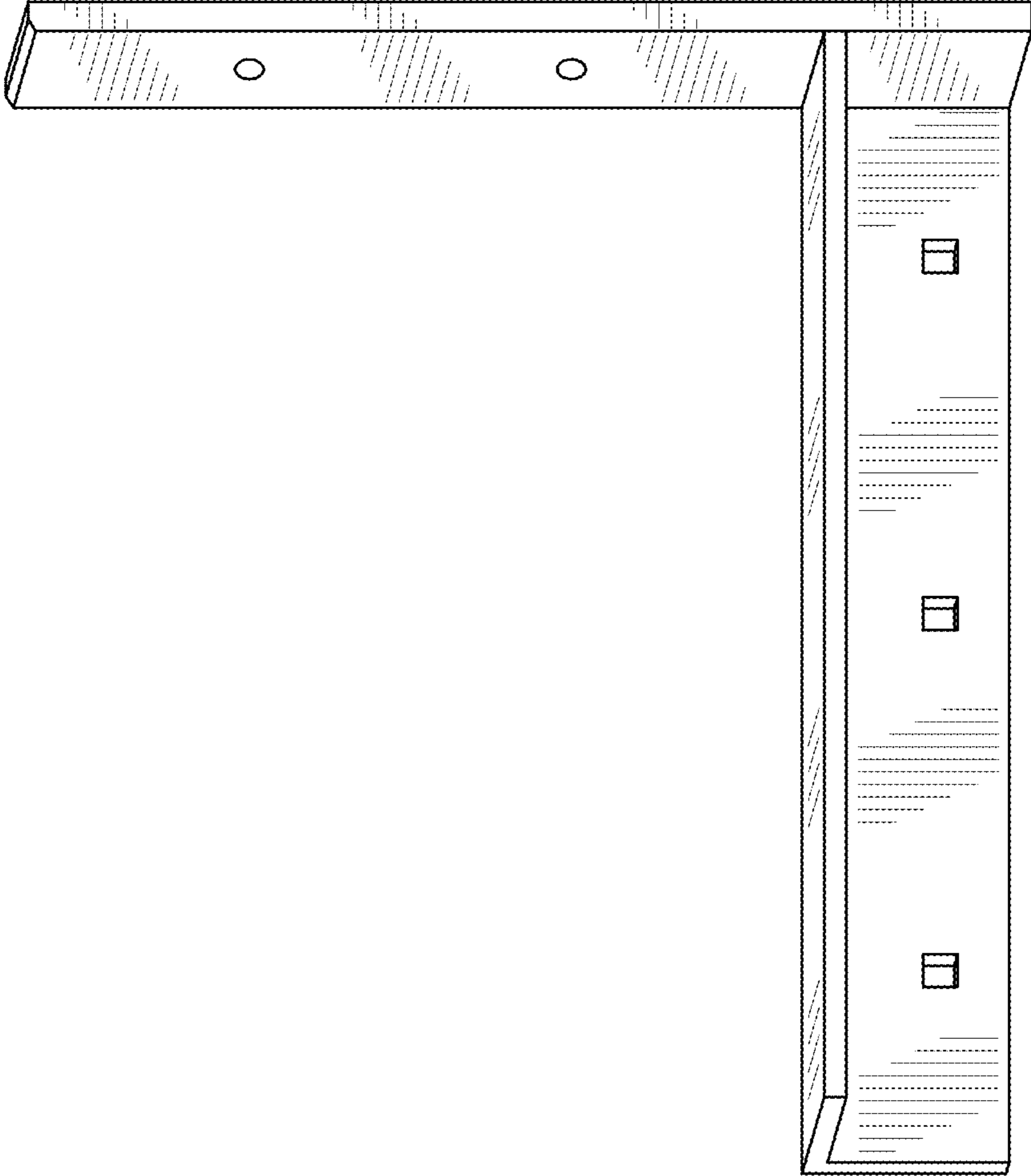


FIG. 2

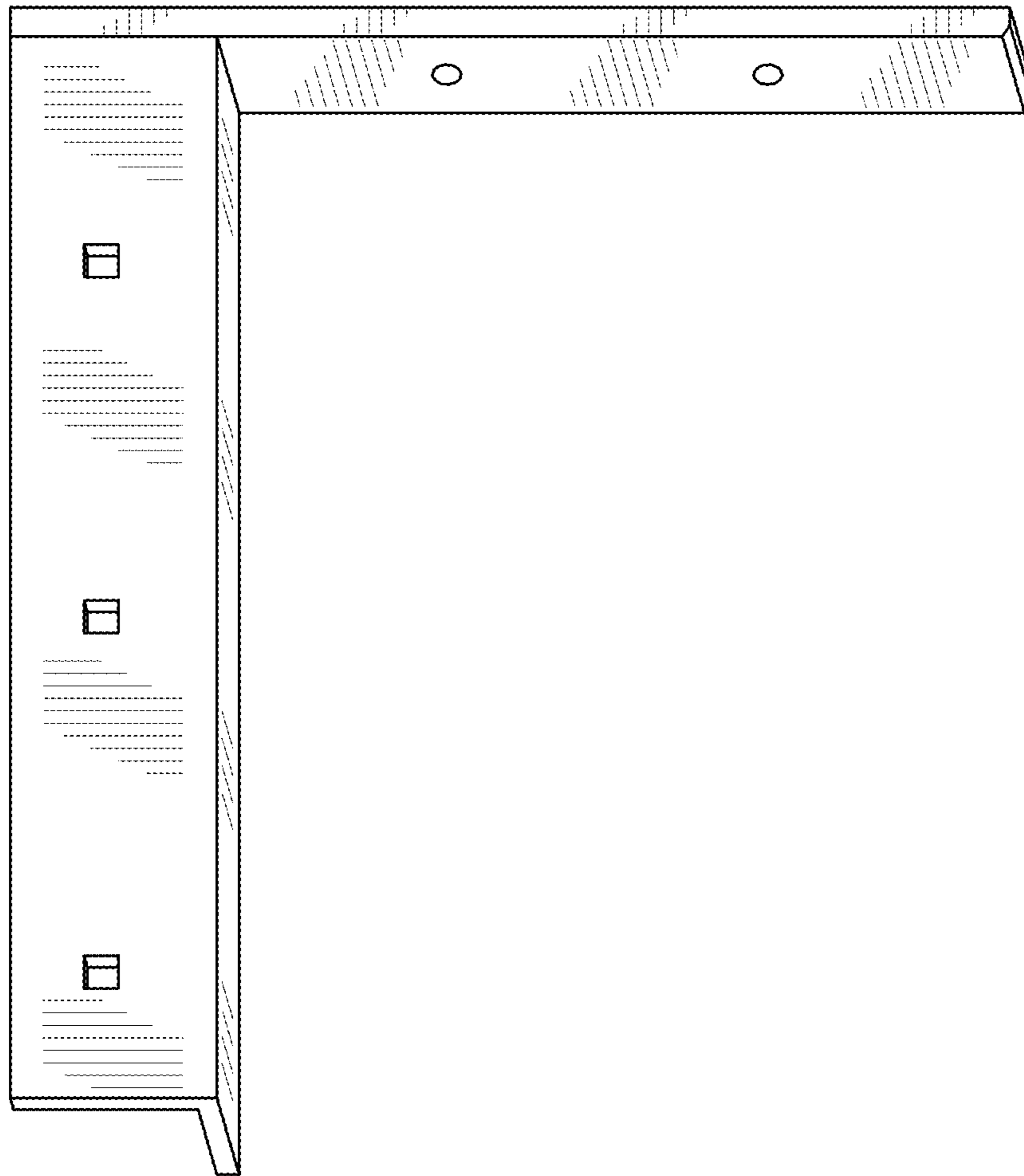


FIG. 3