



US00D805878S

(12) **United States Design Patent**
Rassat

(10) **Patent No.:** **US D805,878 S**

(45) **Date of Patent:** **** Dec. 26, 2017**

(54) **MOUNTING PLATE FOR A TABLE TOP**

(71) Applicant: **Attiture LLC**, Minneapolis, MN (US)

(72) Inventor: **David F. Rassat**, Minneapolis, MN (US)

(73) Assignee: **Attiture LLC**, Minneapolis, MN (US)

(**) Term: **15 Years**

(21) Appl. No.: **29/583,683**

(22) Filed: **Nov. 8, 2016**

Related U.S. Application Data

(60) Continuation-in-part of application No. 14/993,553, filed on Jan. 12, 2016, now Pat. No. 9,486,068, which is a division of application No. 14/279,543, filed on May 16, 2014, now Pat. No. 9,259,081.

(51) **LOC (10) Cl.** **08-05**

(52) **U.S. Cl.**
USPC **D8/354**

(58) **Field of Classification Search**
USPC D8/48, 71, 315-322, 354-355, 378-381, D8/400-499; D12/420, 223; D25/119-125, 199
CPC A61B 1/00; A61B 17/00; A61B 2217/00; A61B 2218/00; H02G 1/00; H02G 2200/00; A47F 1/00

See application file for complete search history.

(56) **References Cited**

U.S. PATENT DOCUMENTS

1,162,148 A 11/1915 Dunlap
1,940,565 A 12/1933 Schott
1,951,499 A 3/1934 Brown
2,838,351 A 6/1958 Siconolfi et al.
D185,305 S 5/1959 Molla
3,032,380 A 5/1962 Danciart et al.

D192,999 S 6/1962 Hastings et al.
D194,037 S 11/1962 Reineman et al.
3,074,771 A 1/1963 Wilson
3,136,206 A * 6/1964 Adams F16B 39/24
411/546
3,215,381 A 11/1965 Ching
(Continued)

Primary Examiner — Lakiya Rogers
Assistant Examiner — Harold E Blackwell, II
(74) *Attorney, Agent, or Firm* — Leydig, Voit & Mayer, Ltd.

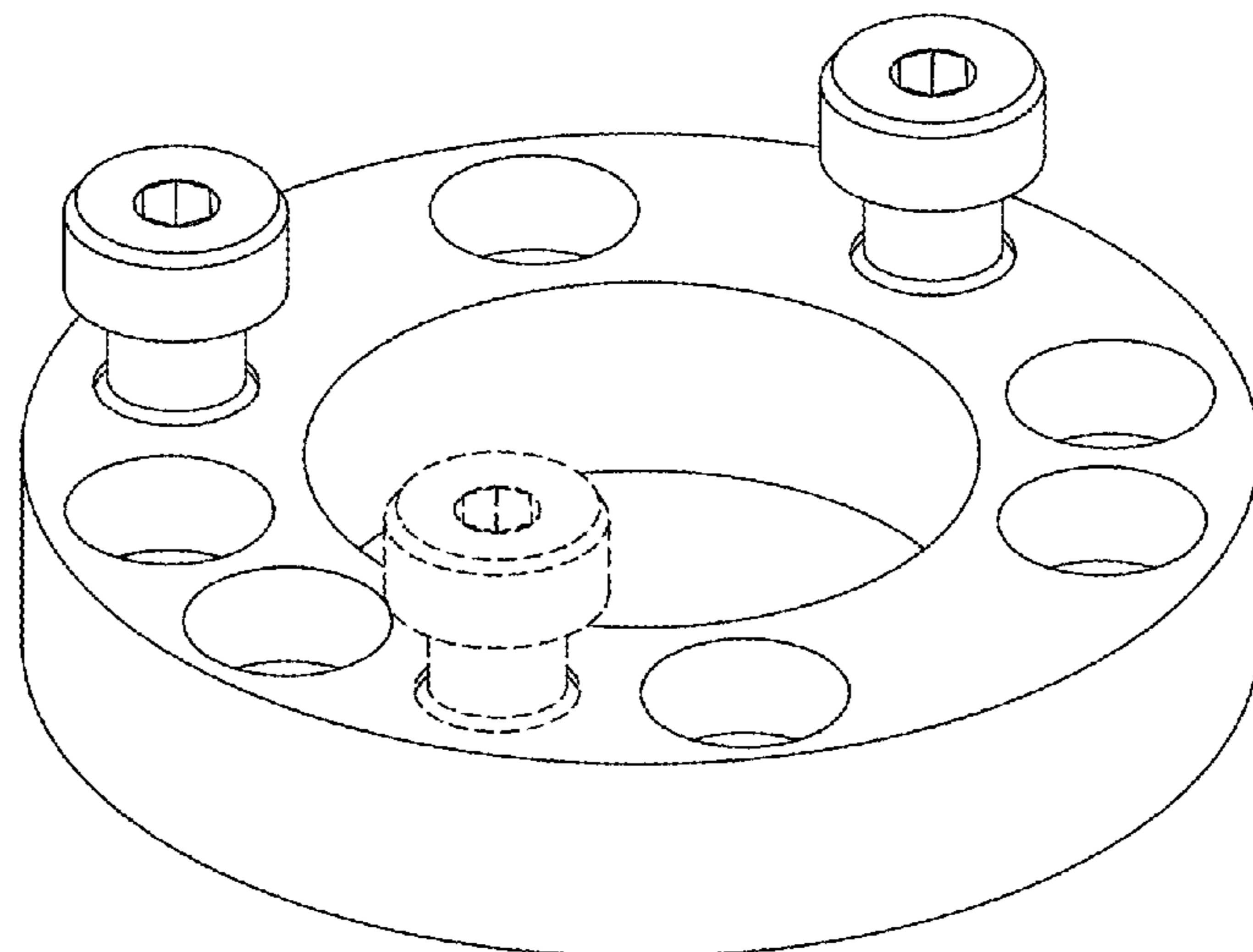
(57) **CLAIM**

The ornamental design for a mounting plate for a table top, as shown and described.

DESCRIPTION

FIG. 1 is a top perspective view of the mounting plate for a table top;
FIG. 2 is a bottom perspective view of the mounting plate for a table top;
FIG. 3 is a top plan view of the mounting plate for a table top;
FIG. 4 is a right side elevation view of the mounting plate for a table top;
FIG. 5 is a left side elevation view of the mounting plate for a table top;
FIG. 6 is a front elevation view of the mounting plate for a table top;
FIG. 7 is a bottom plan view of the mounting plate for a table top;
FIG. 8 is another bottom perspective view of the mounting plate for a table top with a female mounting plate; and,
FIG. 9 is another bottom perspective view of the mounting plate for a table top with a female mounting plate attached. The broken lines in the drawings illustrate portions of the mounting plate for a table top which form no part of the claimed design.

1 Claim, 5 Drawing Sheets



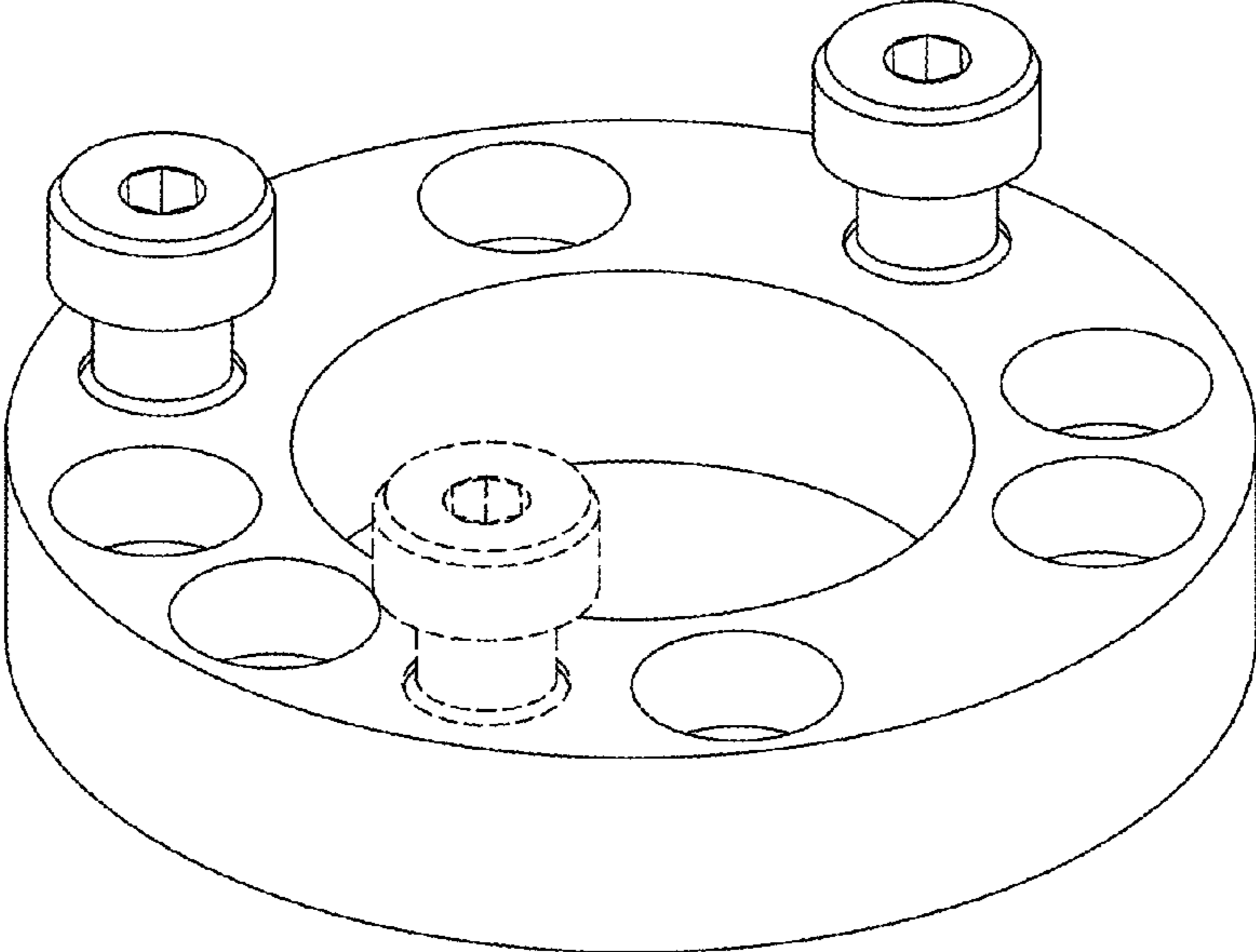


FIG. 1

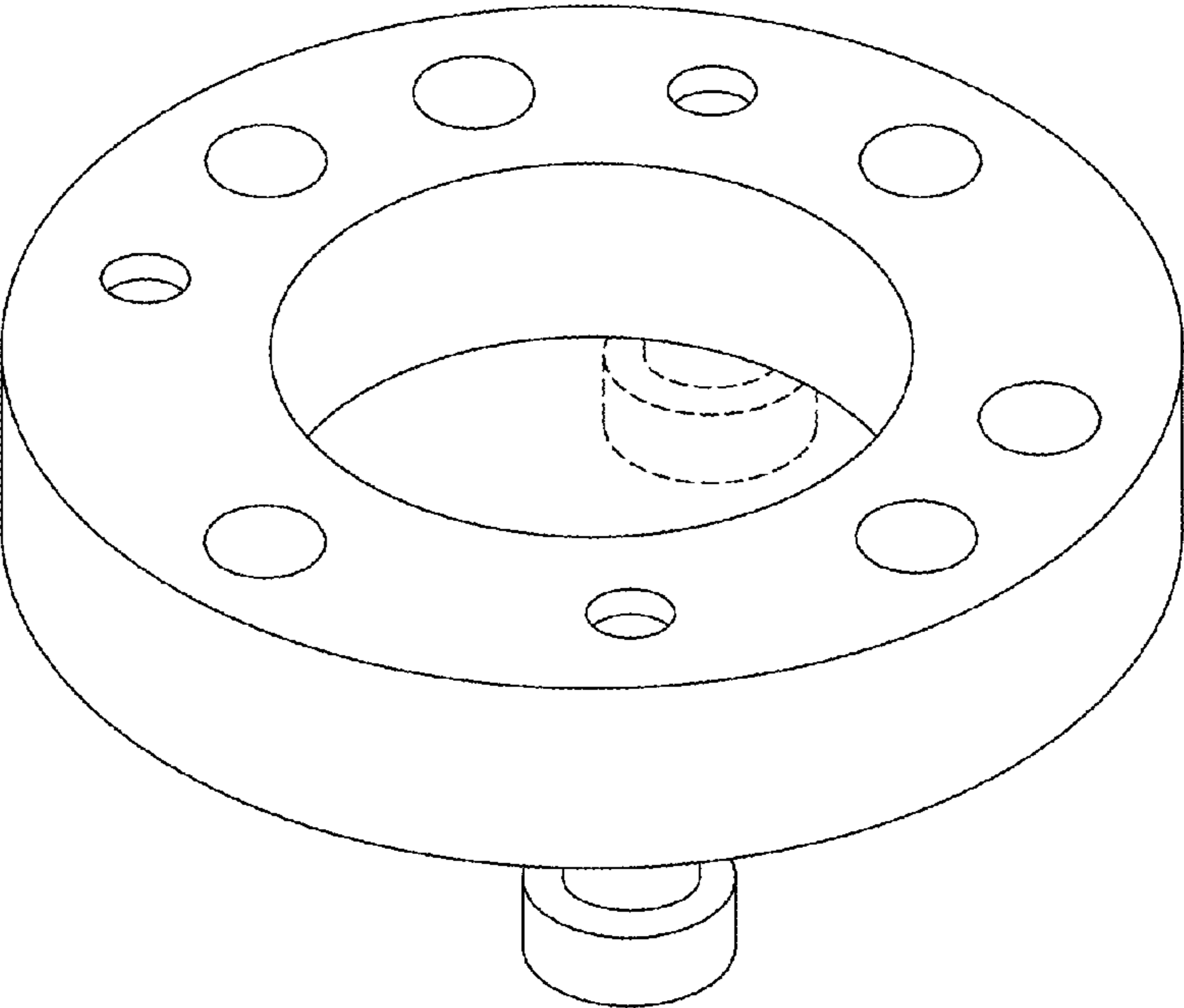


FIG. 2

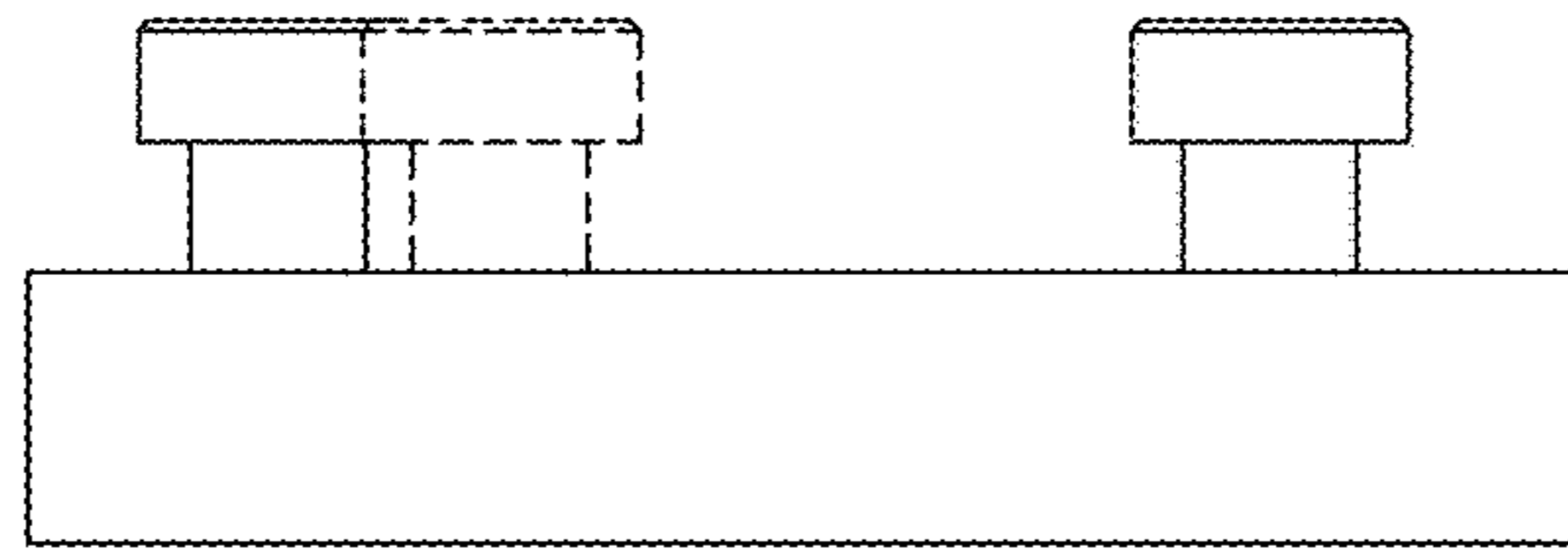


FIG. 6

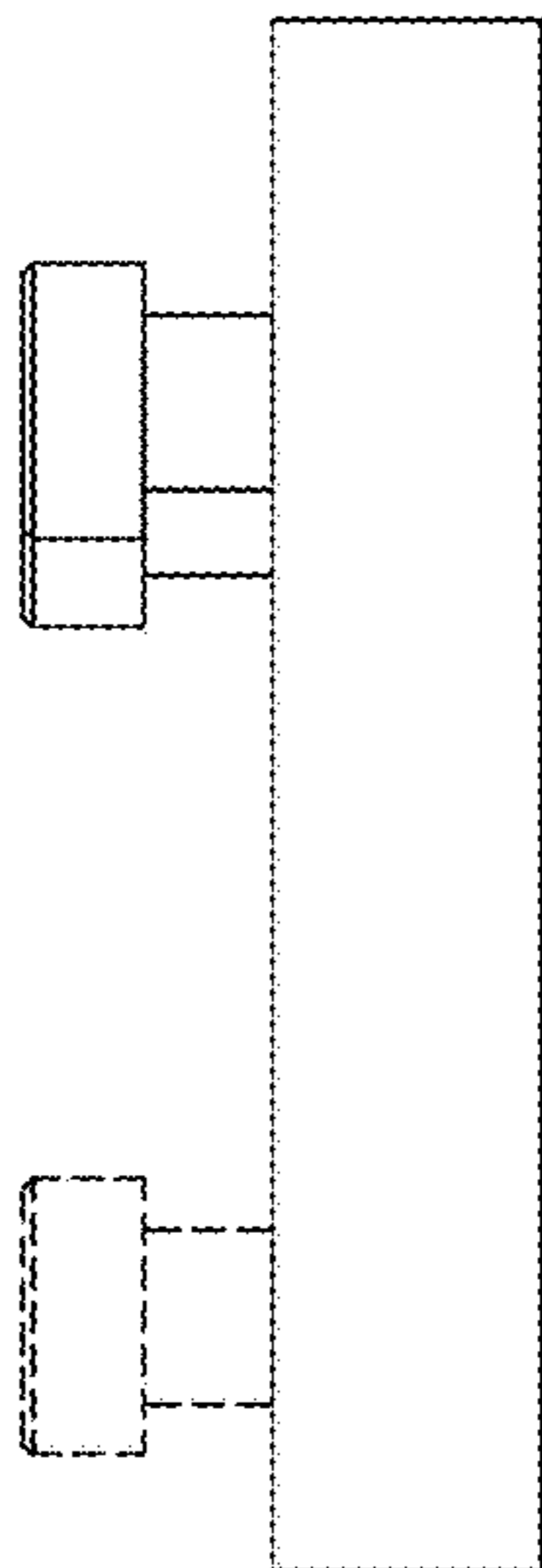


FIG. 4

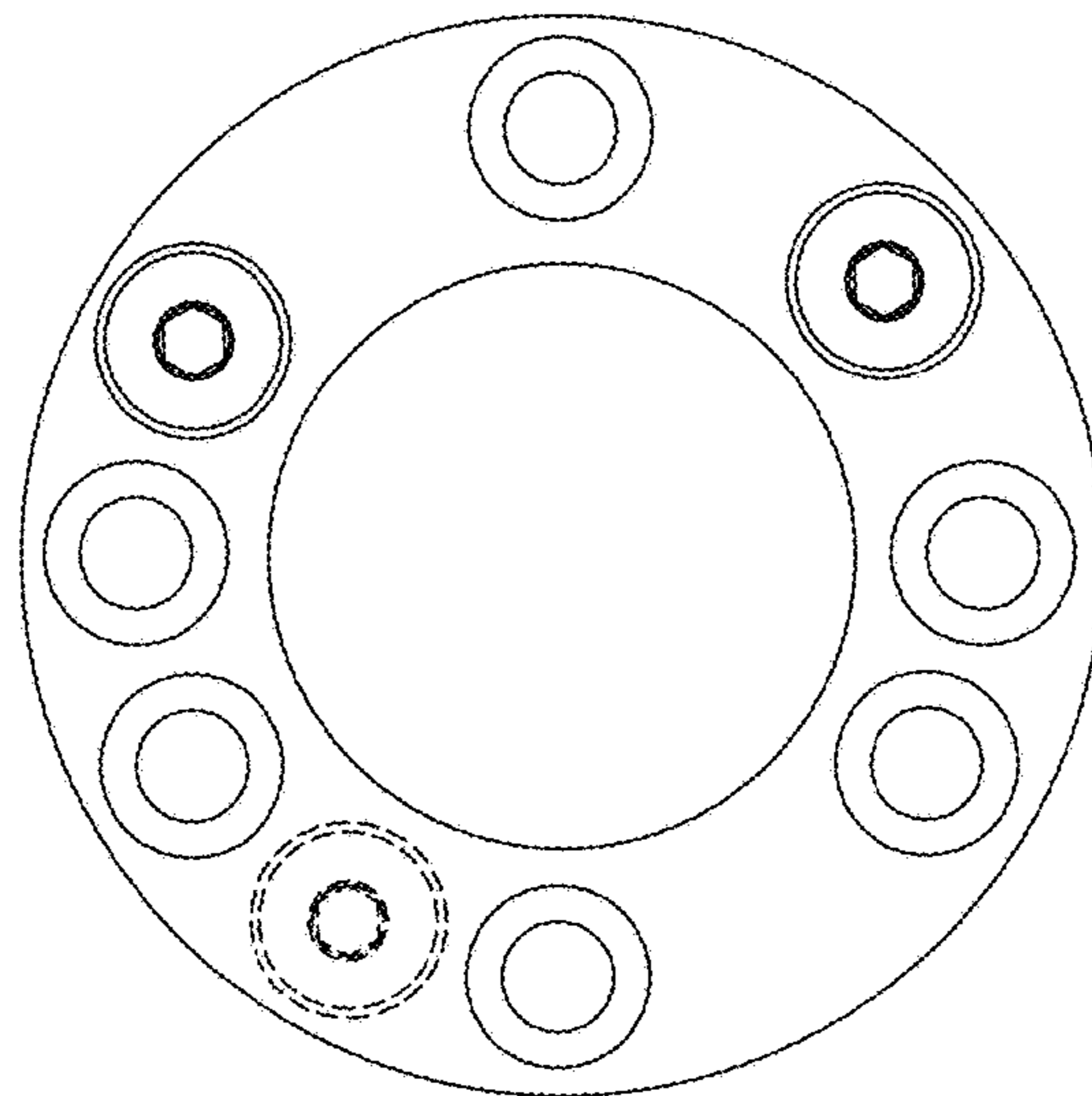


FIG. 3

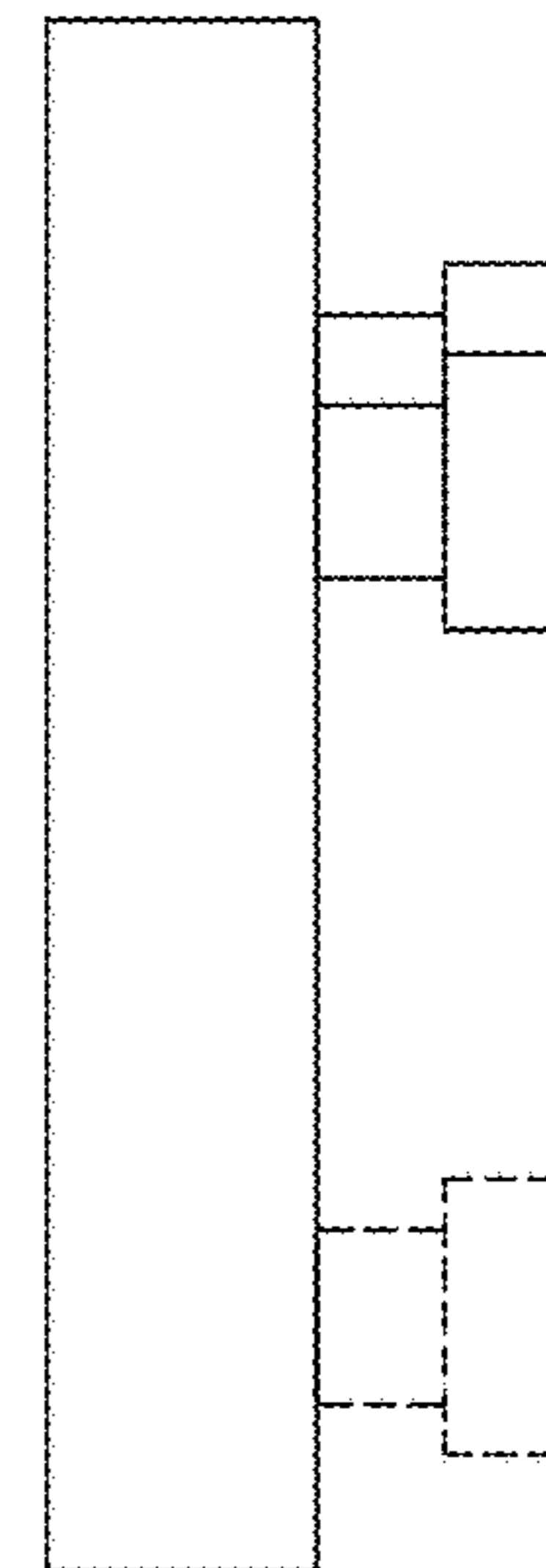


FIG. 5

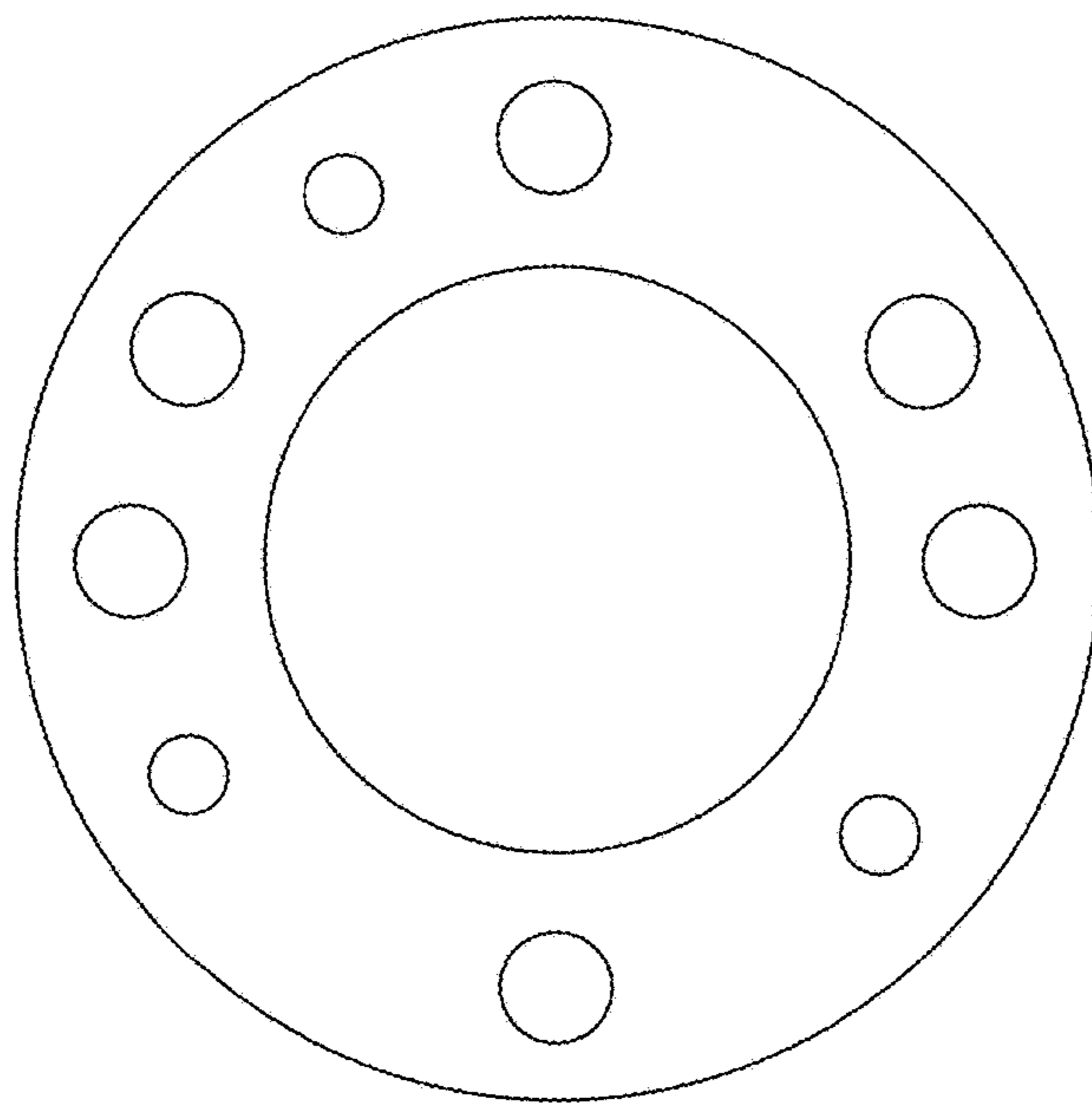


FIG. 7

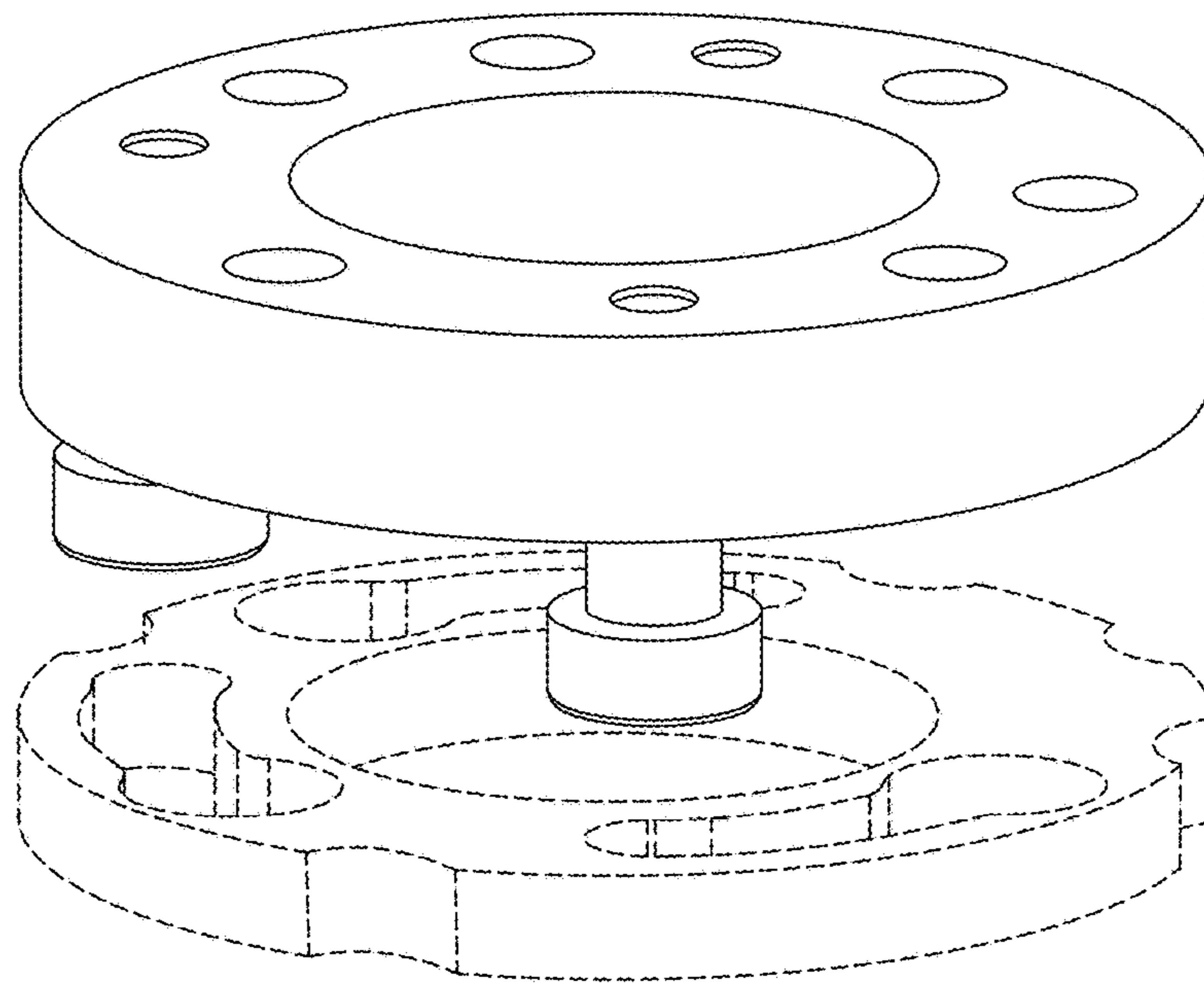


FIG. 8

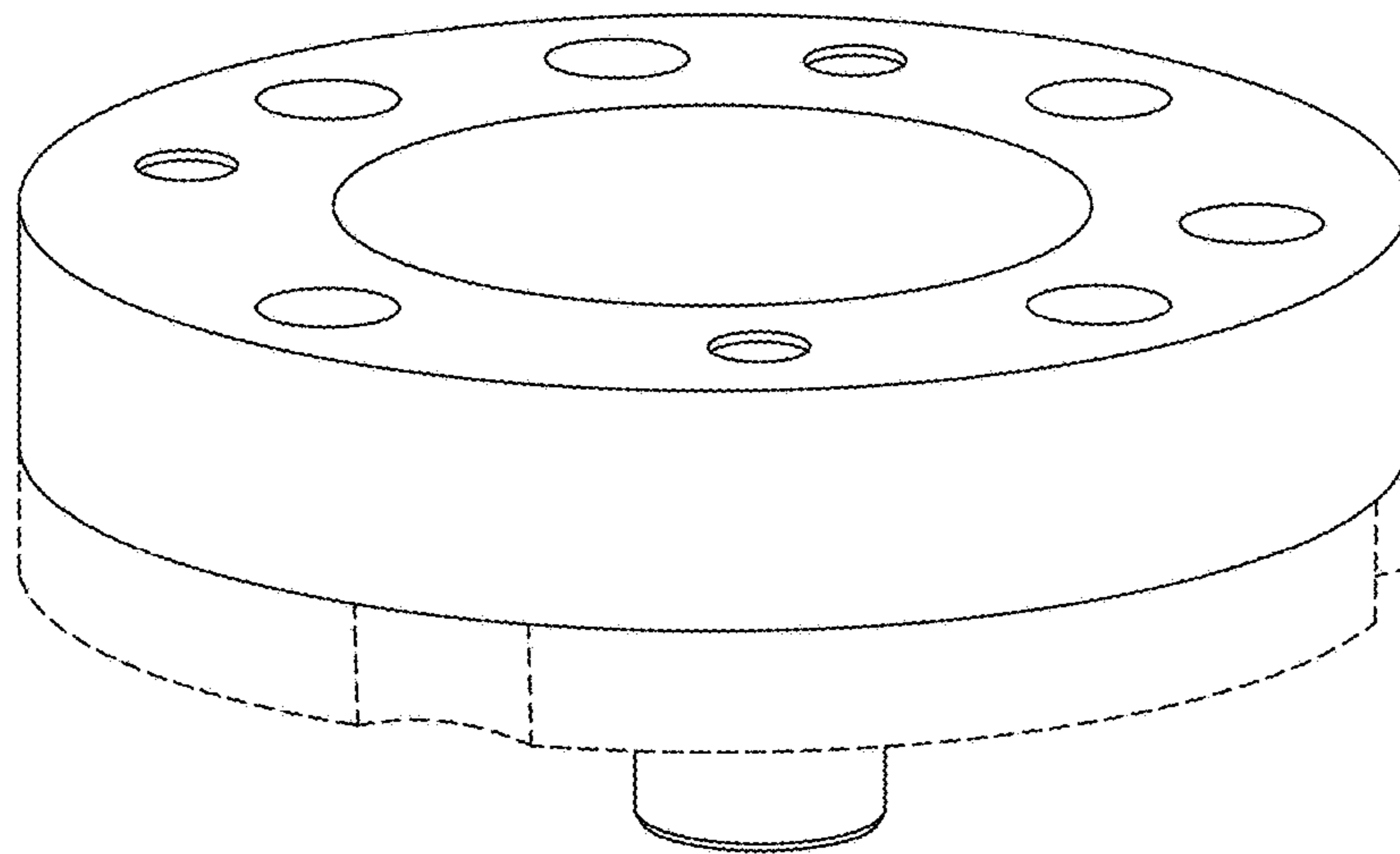


FIG. 9