



US00D805877S

(12) **United States Design Patent**
Malkoc

(10) **Patent No.:** **US D805,877 S**

(45) **Date of Patent:** **** Dec. 26, 2017**

(54) **LOCKING AND CLOSING DEVICE**

(71) Applicant: **EMKA Beschlagteile GmbH & Co. KG, Velbert (DE)**

(72) Inventor: **Murat Malkoc, Bochum (DE)**

(73) Assignee: **EMKA BESCHLAGTEILE GMBH & CO. KG, Velbert (DE)**

(**) Term: **15 Years**

(21) Appl. No.: **29/581,808**

(22) Filed: **Oct. 21, 2016**

(30) **Foreign Application Priority Data**

Apr. 22, 2016 (EM) 003080951-0007

(51) **LOC (10) Cl.** **08-07**

(52) **U.S. Cl.**
USPC **D8/331**

(58) **Field of Classification Search**

USPC D8/330, 331, 335, 339, 302, 343;
70/141, 208, 129, 14; 292/336.3, 169,
292/358, 359, 170, 175, 165, 224,
292/140-145, 240-242, DIG. 14, DIG. 30,
292/DIG. 31, DIG. 4, 205

CPC E05B 13/10; E05B 15/00; E05B 65/06;
E05C 3/04; E05C 1/04

See application file for complete search history.

(56) **References Cited**

U.S. PATENT DOCUMENTS

1,611,999 A * 12/1926 Cummins E05B 3/06
292/348

1,685,316 A * 9/1928 Devereaux E05B 3/06
292/348

4,843,852 A * 7/1989 Foshee E05B 63/0065
70/367

4,869,086 A * 9/1989 Richards E05B 13/002
70/210

D494,819 S * 8/2004 Schwartzkopf D7/601

D551,941 S * 10/2007 Miao D8/336

D596,479 S * 7/2009 Newman D8/331

D621,685 S * 8/2010 Sarnowski D8/331

9,221,180 B2 * 12/2015 Kent B25J 17/02

D784,112 S * 4/2017 Onorato D8/331

* cited by examiner

Primary Examiner — Prabhakar G Deshmukh

(74) *Attorney, Agent, or Firm* — Johnson, Marcou & Isaacs, LLC; Jennifer S. Stachniak

(57) **CLAIM**

The ornamental design for a locking and closing device, as shown and described.

DESCRIPTION

FIG. 1 is a front perspective view of a locking and closing device showing my new design;

FIG. 2 is a rear perspective view thereof;

FIG. 3 is a bottom plan view thereof;

FIG. 4 is a top plan view thereof;

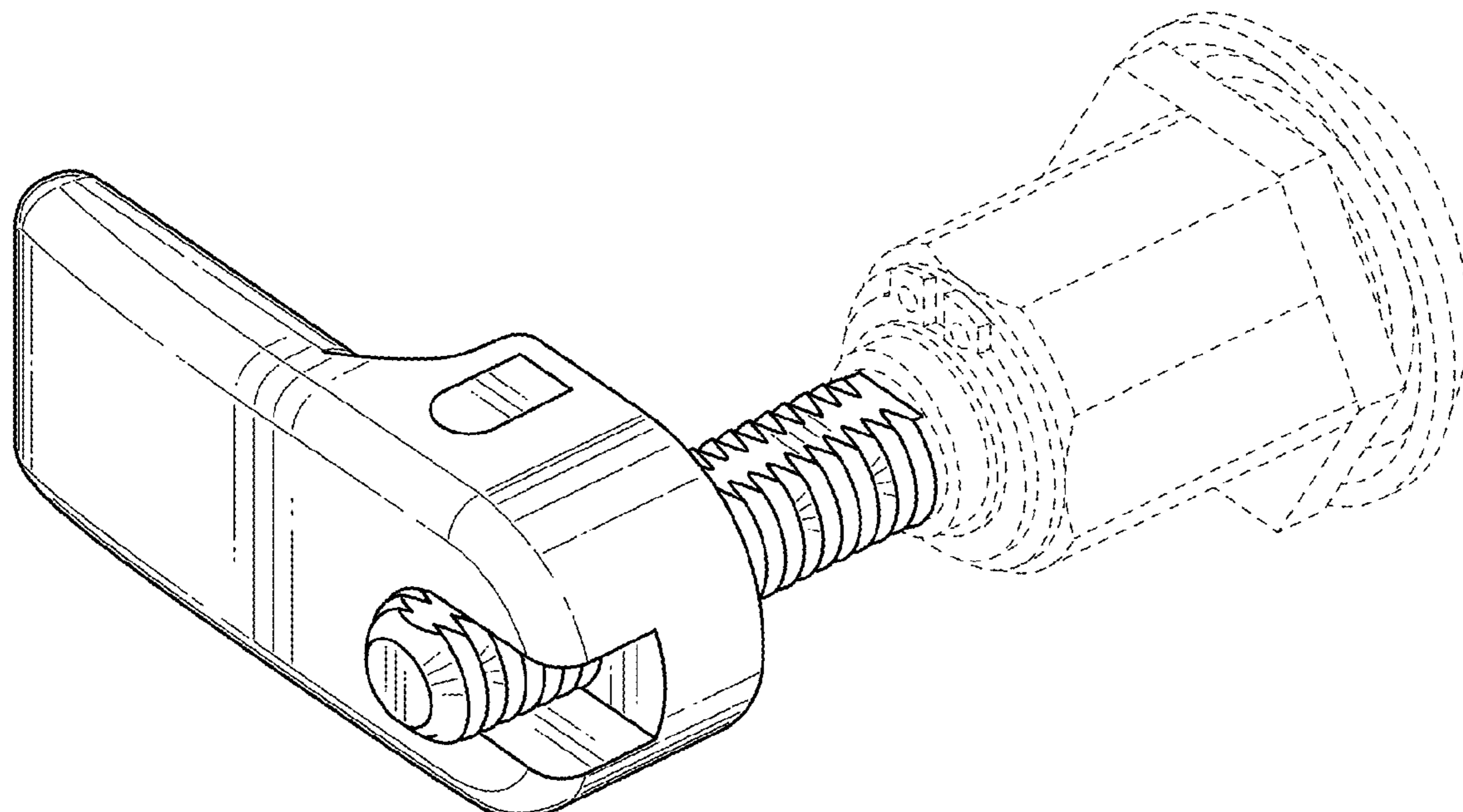
FIG. 5 is a left side elevational view thereof;

FIG. 6 is a right side elevational view thereof; and,

FIG. 7 is a rear elevational view thereof.

The broken lines environment is for illustration only and forms no part of the claimed design.

1 Claim, 7 Drawing Sheets



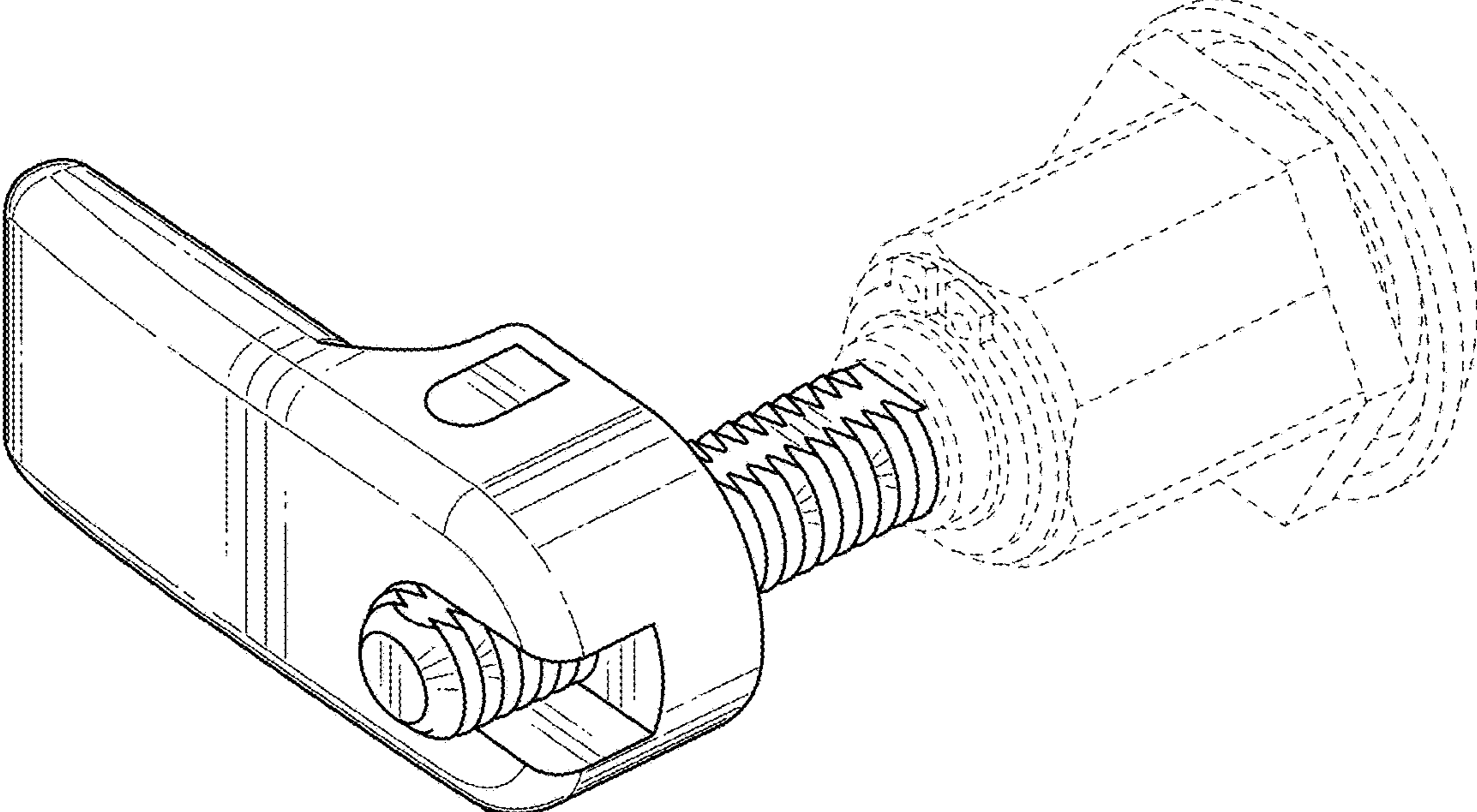


FIG. 1

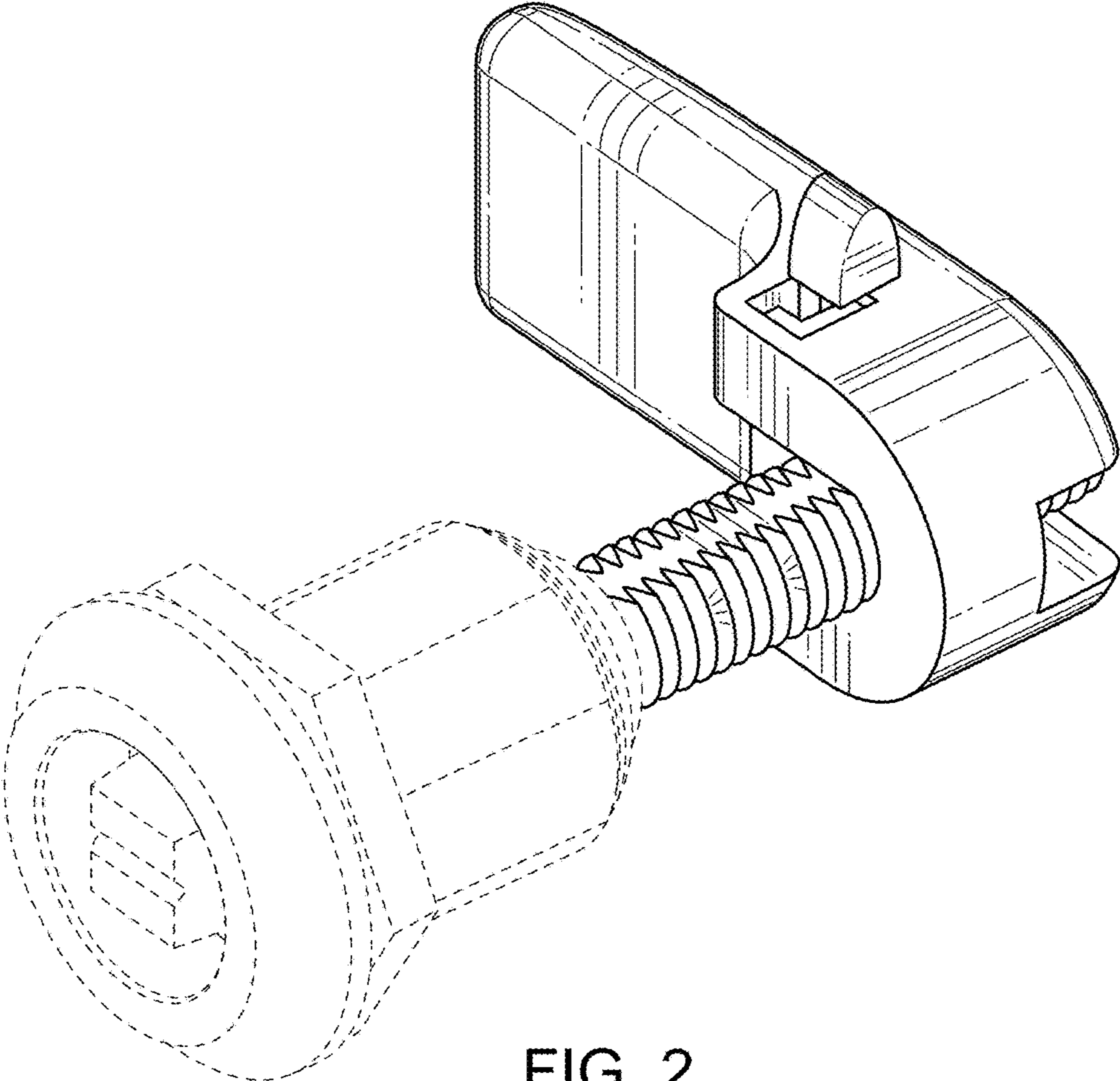


FIG. 2

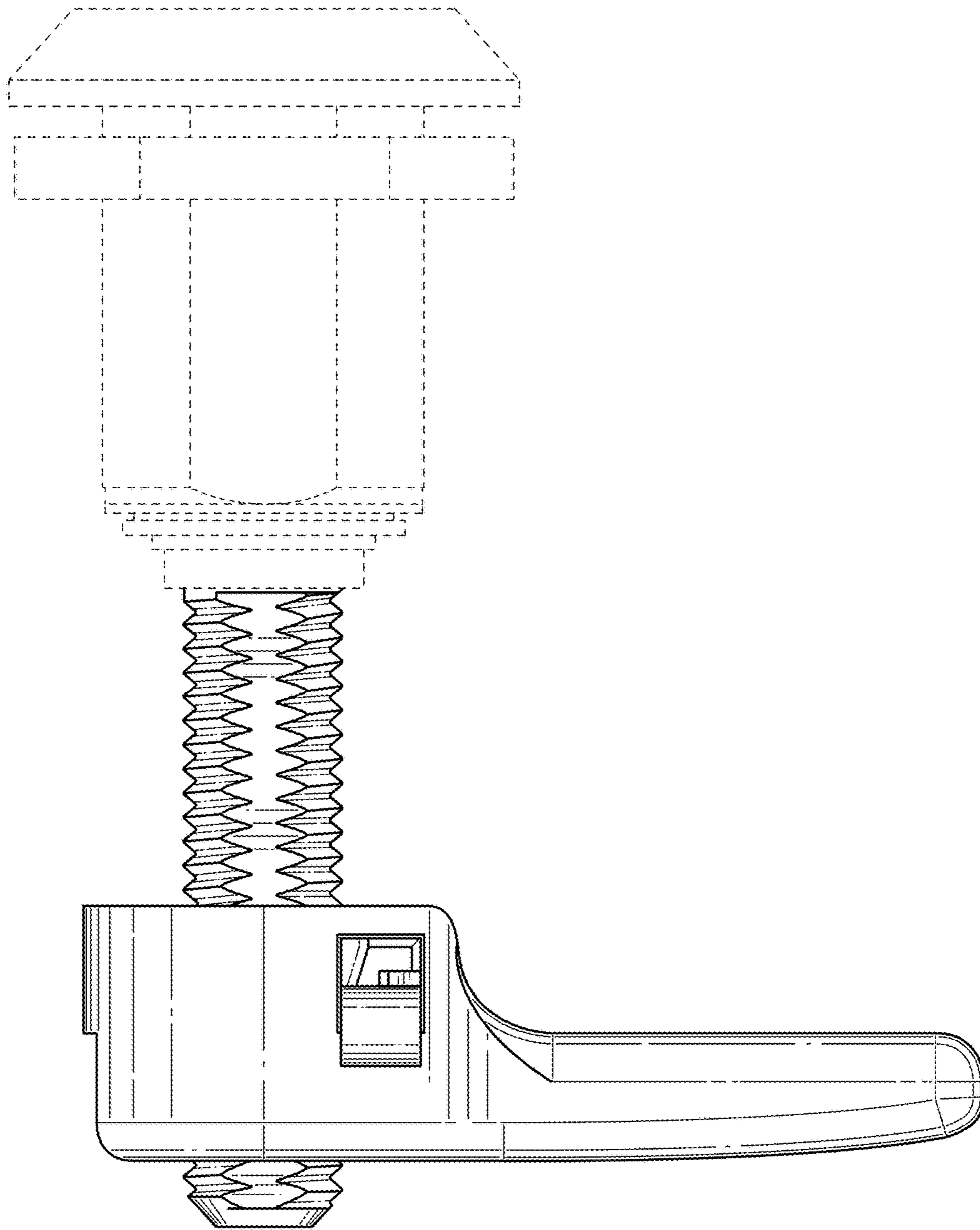


FIG. 3

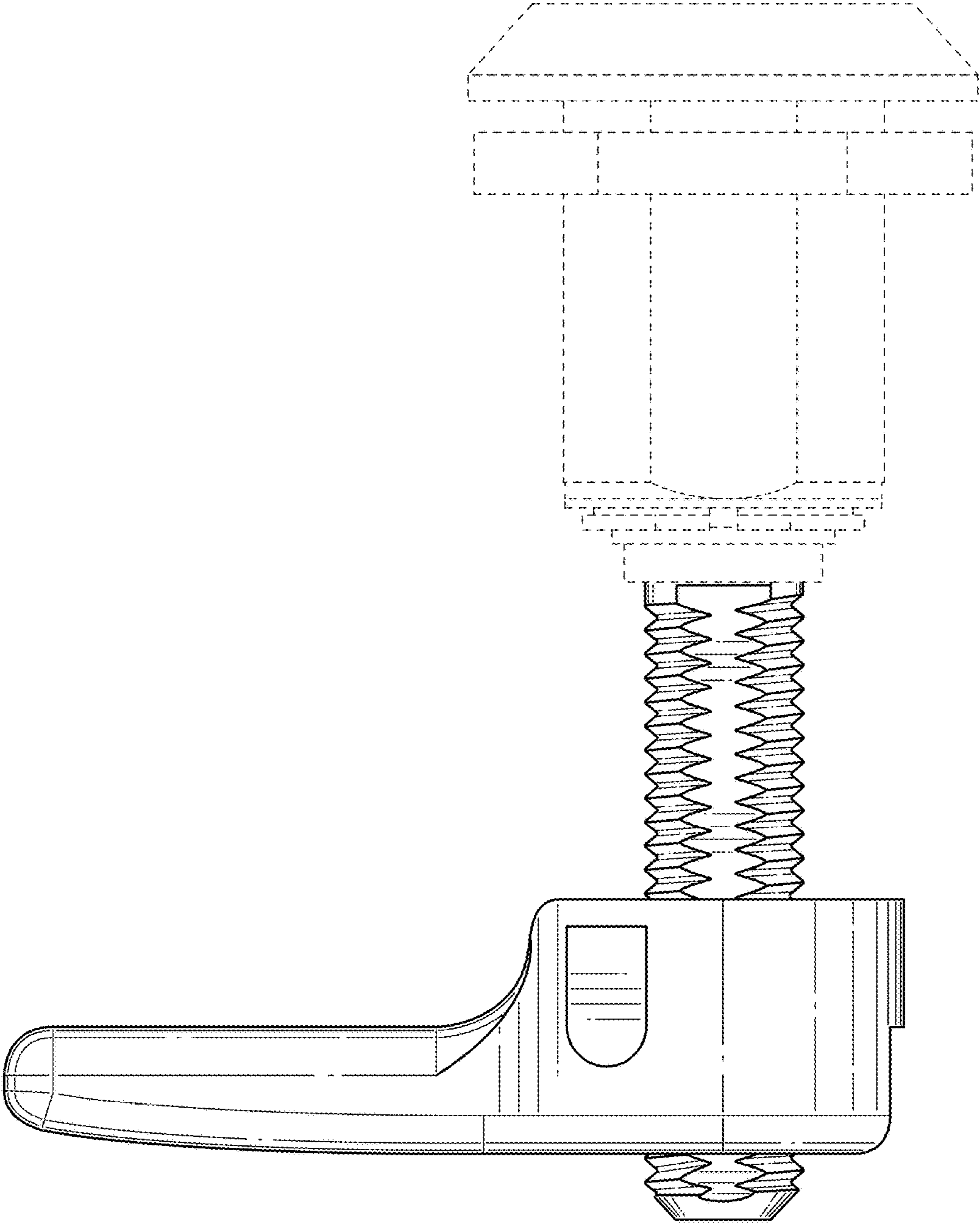


FIG. 4

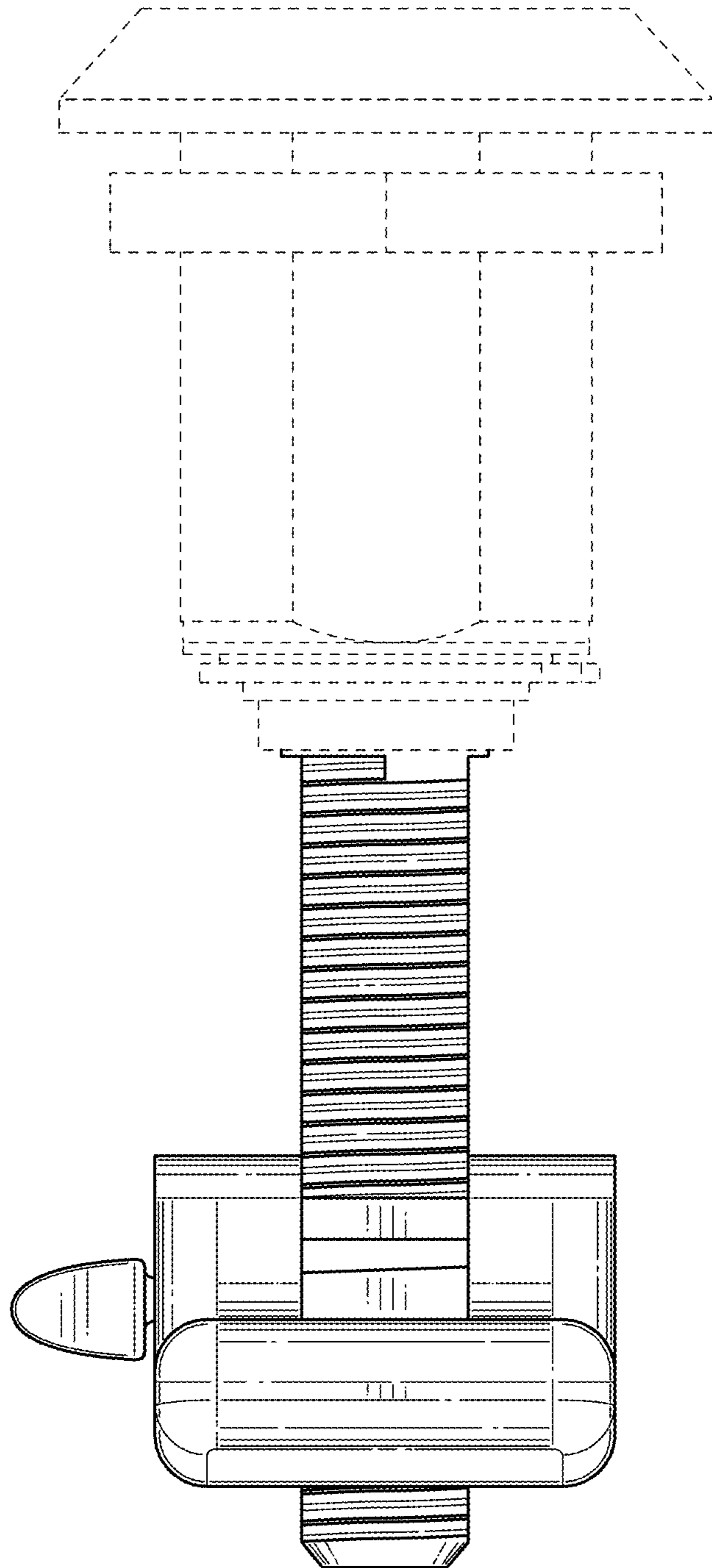


FIG. 5

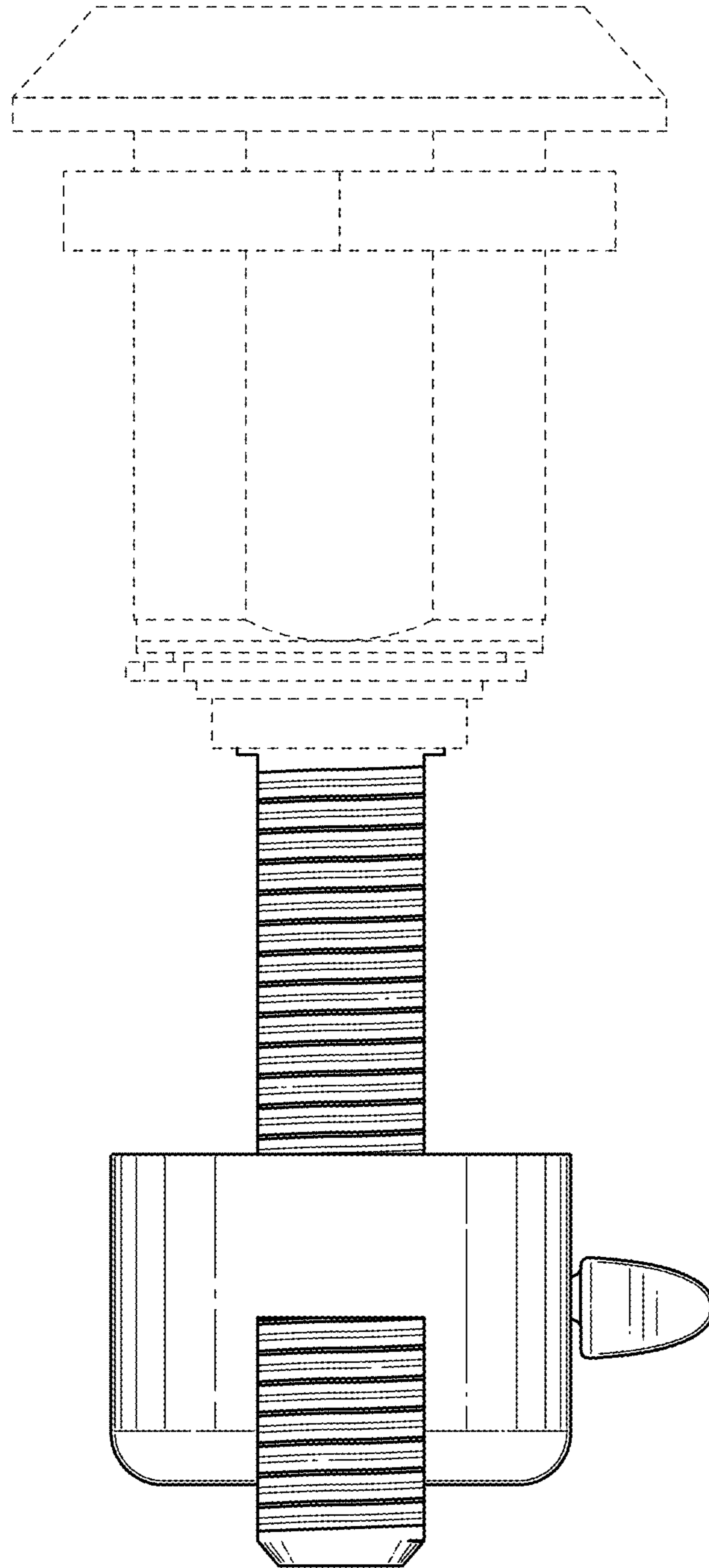


FIG. 6

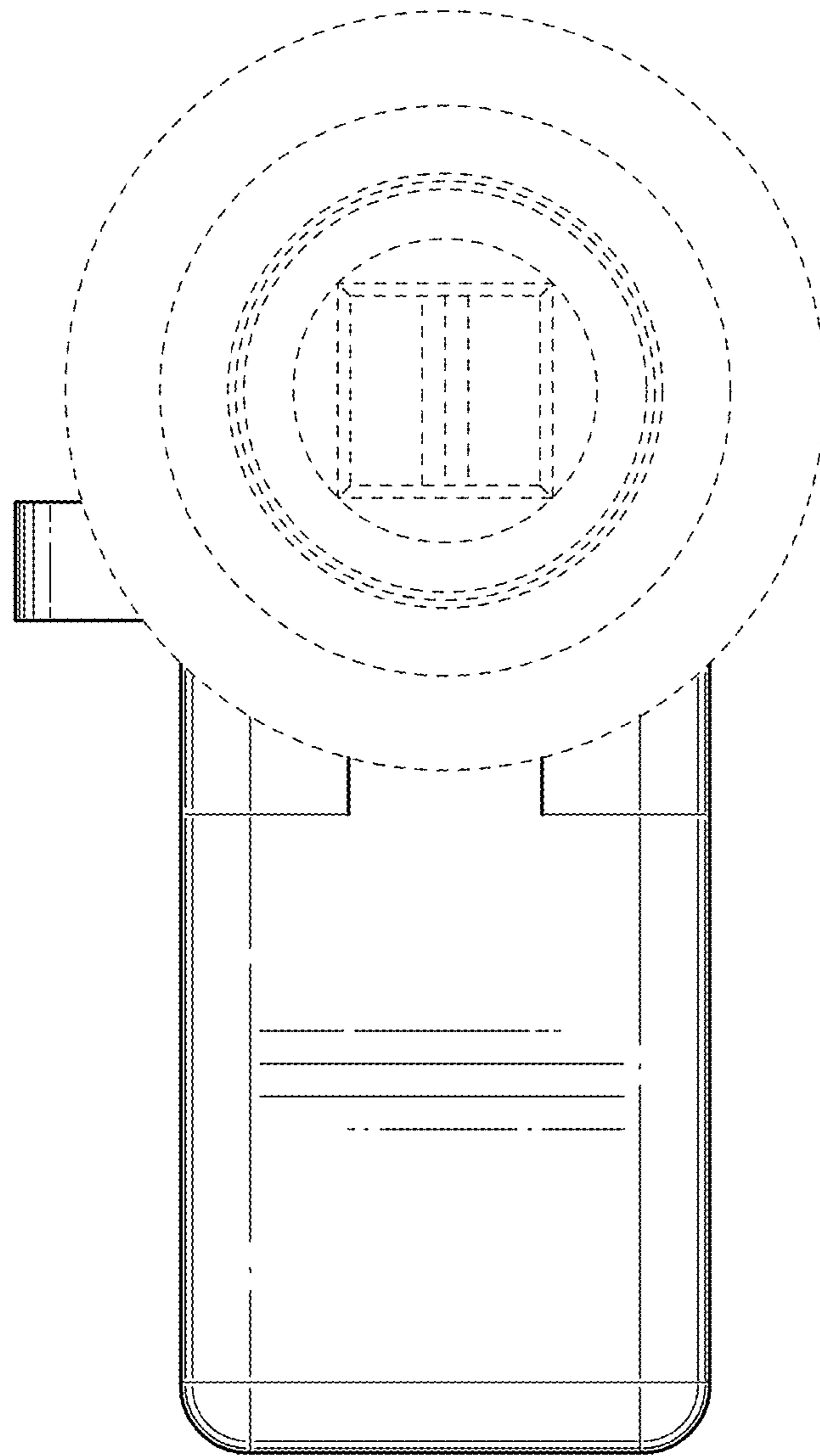


FIG. 7