



US00D805876S

(12) **United States Design Patent** (10) **Patent No.:** **US D805,876 S**
Milani (45) **Date of Patent:** **** Dec. 26, 2017**

(54) **HANDLE**

(71) Applicant: **FAMI S.R.L.**, Rosa' (Vicenza) (IT)

(72) Inventor: **Luca Milani**, Rossano Veneto (IT)

(73) Assignee: **FAMI S.R.L.**, Rosa' (IT)

(**) Term: **15 Years**

(21) Appl. No.: **29/543,247**

(22) Filed: **Oct. 22, 2015**

(30) **Foreign Application Priority Data**

May 25, 2015 (EM) 002706697-0001

(51) **LOC (10) Cl.** **08-07**

(52) **U.S. Cl.**
USPC **D8/331**

(58) **Field of Classification Search**
USPC D8/107, 300, 303, 311, 313, 314, 315,
D8/321, 322, 331, 343; 16/110.1, 114.1,
16/405, 406, 411, 415, 416, 419, 422,
16/423, 424, 426, 427, 429, 430;
D7/393, 394, 548; 292/336.3

CPC Y10T 16/469; Y10T 16/44; Y10T 16/476;
Y10T 16/473; Y10T 16/4713; Y10T
16/498; Y10T 16/509; Y10T 16/455;
Y10T 16/4554; Y10T 16/4719; Y10T
16/4559; Y10T 16/513; Y10T 16/4707;
Y10T 16/4576; Y10T 16/4644; Y10T
16/4696; Y10T 16/4628; Y10T 74/20732;
Y10T 74/20828; Y10T 292/57; Y10T
16/459; Y10T 16/4701; Y10T 74/20864;
Y10T 74/20876; Y10T 408/96; Y10T
137/6024; Y10T 74/20612; Y10T
74/2087; B25G 1/102; B25G 1/00; B25G
1/10; B25G 3/18; B25G 3/00; B25G
3/38; Y10S 16/12; Y10S 16/40; Y10S
16/24; Y10S 16/19; Y10S 16/90

See application file for complete search history.

(56) **References Cited**

U.S. PATENT DOCUMENTS

D406,746 S * 3/1999 Bullard D8/343
D425,395 S * 5/2000 Ji D8/331
D501,785 S * 2/2005 Mogus D8/313
D519,824 S * 5/2006 Collings D8/331
D568,143 S * 5/2008 Sclater D8/331
D616,281 S * 5/2010 Eng D8/300
D635,440 S * 4/2011 Barton D8/331
D701,742 S * 4/2014 Rechberg D8/331
D762,102 S * 7/2016 Gokcebay D8/330
D762,447 S * 8/2016 Sanz D8/331
D780,555 S * 3/2017 Vetter D8/331
2005/0057050 A1 * 3/2005 Saitoh B60R 25/246
292/336.3
2005/0160559 A1 * 7/2005 Hayashi E05B 85/18
16/412

(Continued)

Primary Examiner — Lauren Calve

(74) *Attorney, Agent, or Firm* — Pearne & Gordon LLP

(57) **CLAIM**

The ornamental design for a handle, as shown and described.

DESCRIPTION

FIG. 1 is a front-top-left side perspective view of a handle, showing my new design;

FIG. 2 is a front elevational view thereof;

FIG. 3 is a top plan view thereof;

FIG. 4 is a bottom plan view thereof;

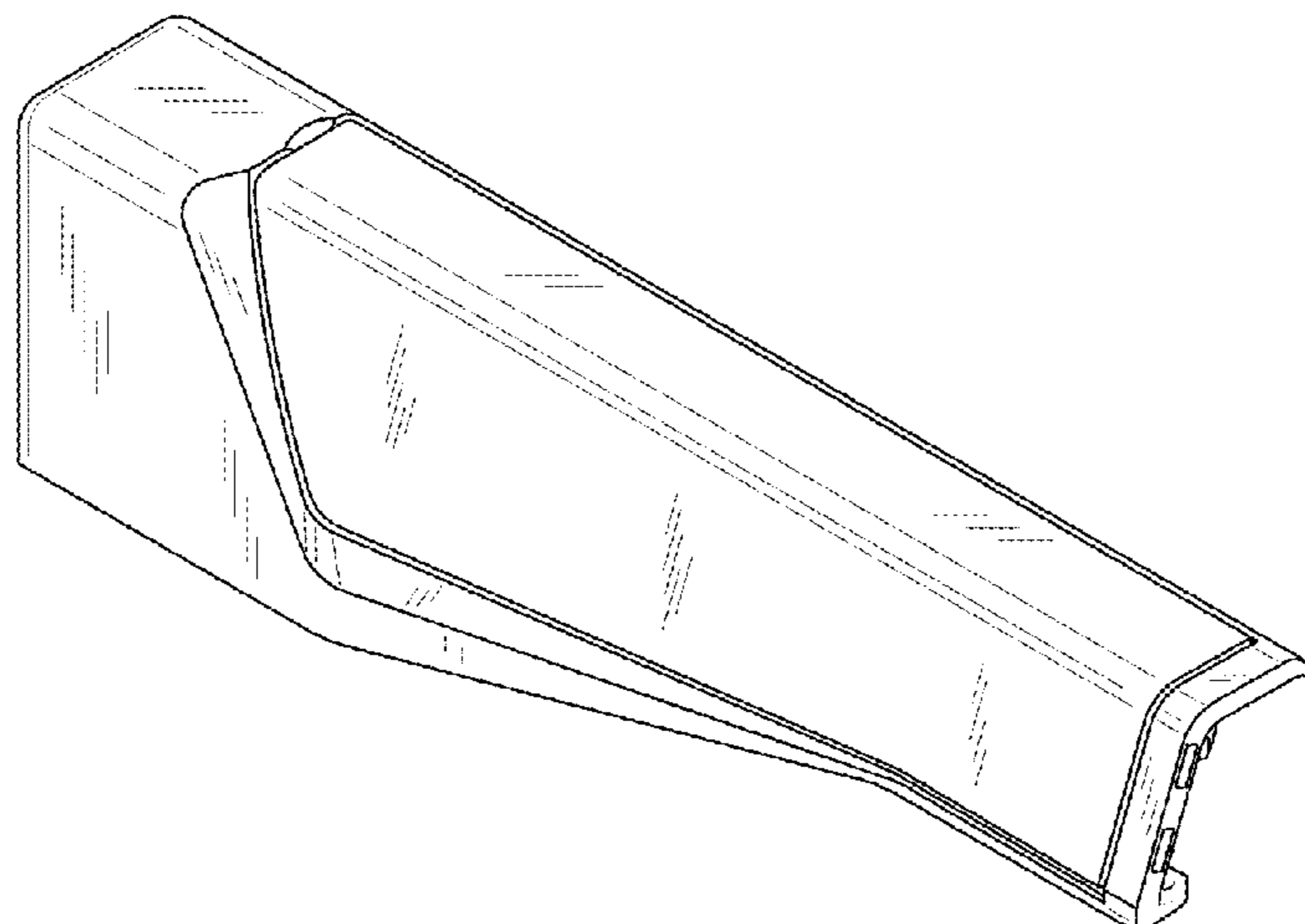
FIG. 5 is a back elevational view thereof;

FIG. 6 is a left side elevational view thereof; and,

FIG. 7 is a front-top-right side perspective view thereof shown in environmental use.

The broken lines shown represent unclaimed subject matter and form no part of the claimed design.

1 Claim, 3 Drawing Sheets



(56)

References Cited

U.S. PATENT DOCUMENTS

2006/0037371 A1* 2/2006 Tanimoto E05B 79/06
70/208
2008/0191496 A1* 8/2008 Levine A47B 95/00
292/84
2011/0169389 A1* 7/2011 Jeffries A47B 95/02
312/333
2012/0292928 A1* 11/2012 Chang H05K 7/1489
292/273
2012/0326406 A1* 12/2012 Lifshitz B25H 3/02
280/47.19
2013/0069498 A1* 3/2013 Morgan G07F 11/62
312/107
2015/0145383 A1* 5/2015 Grela A47B 81/00
312/215

* cited by examiner

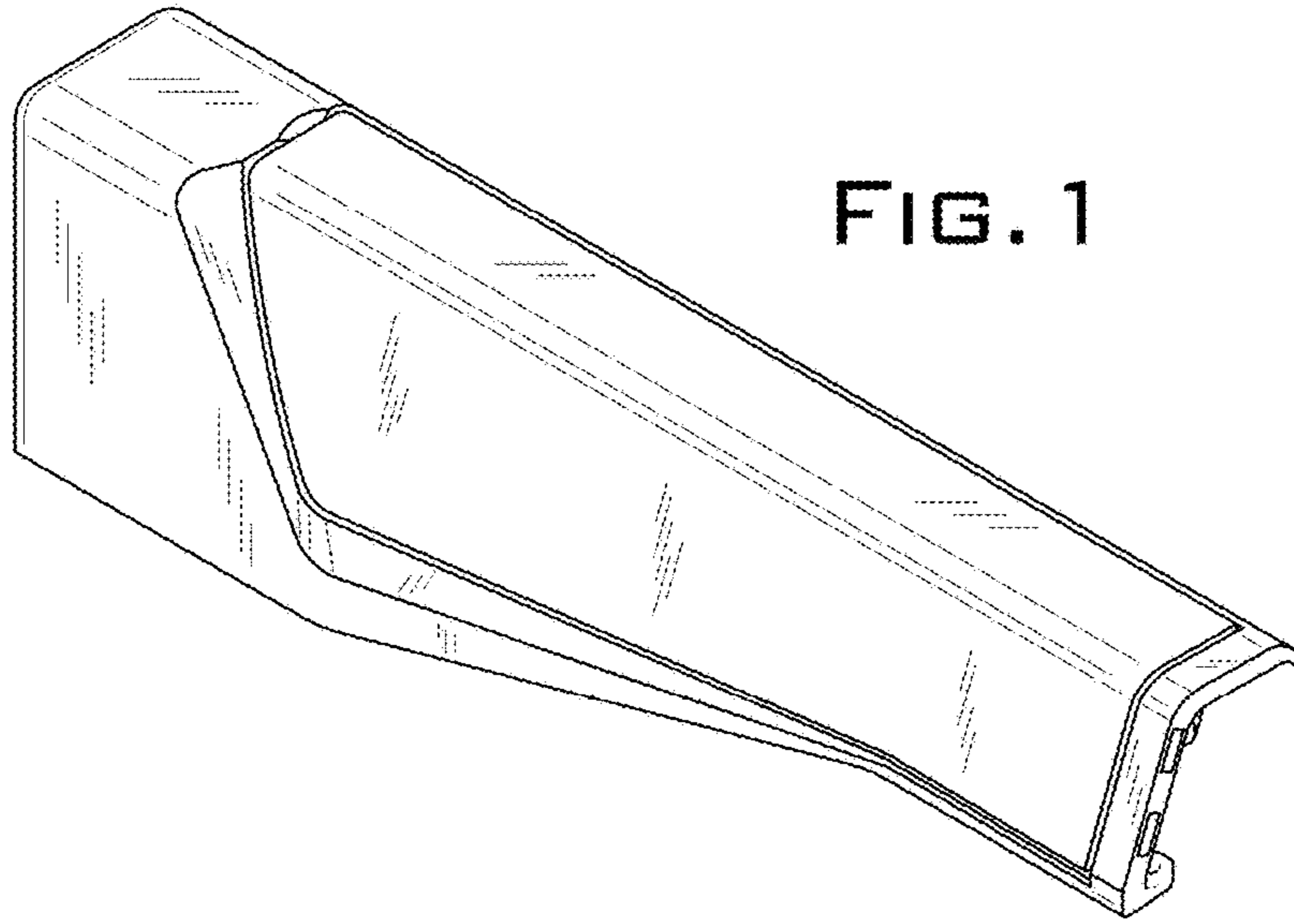


FIG. 1

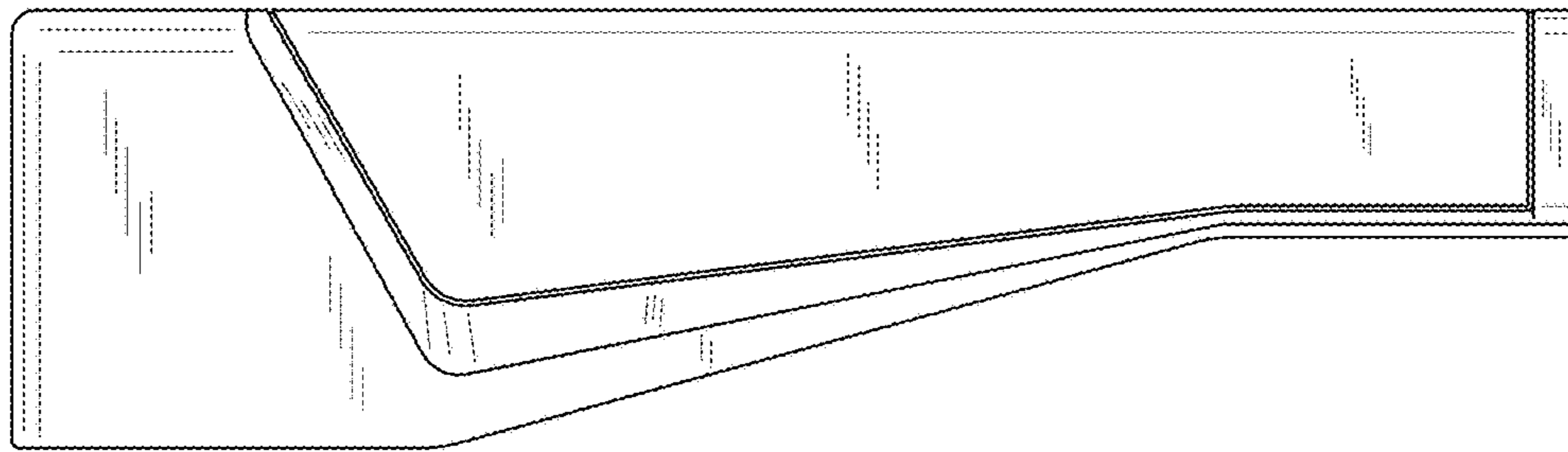


FIG. 2

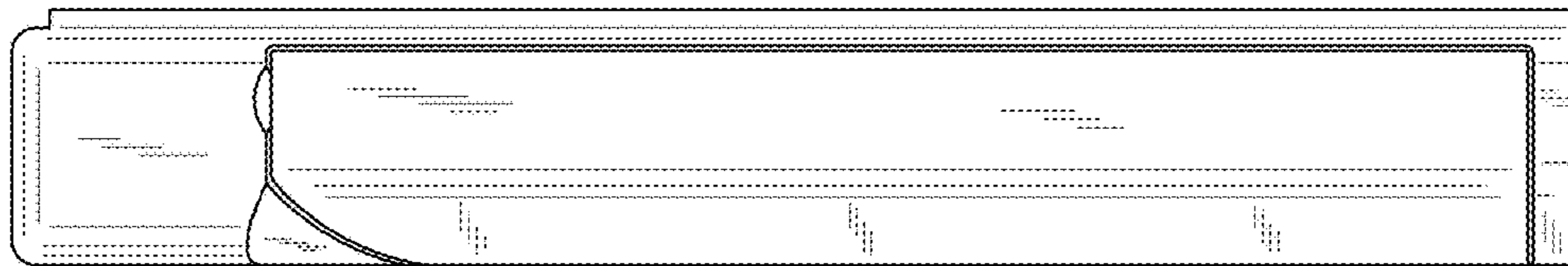


FIG. 3

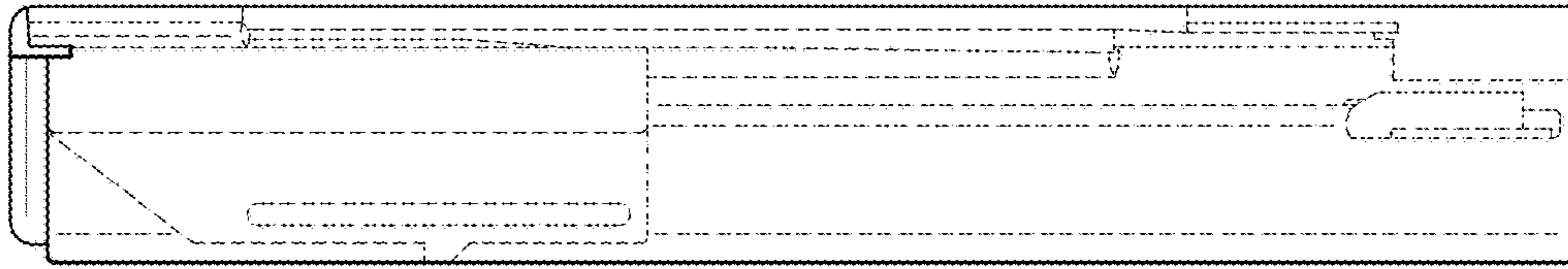


FIG. 4

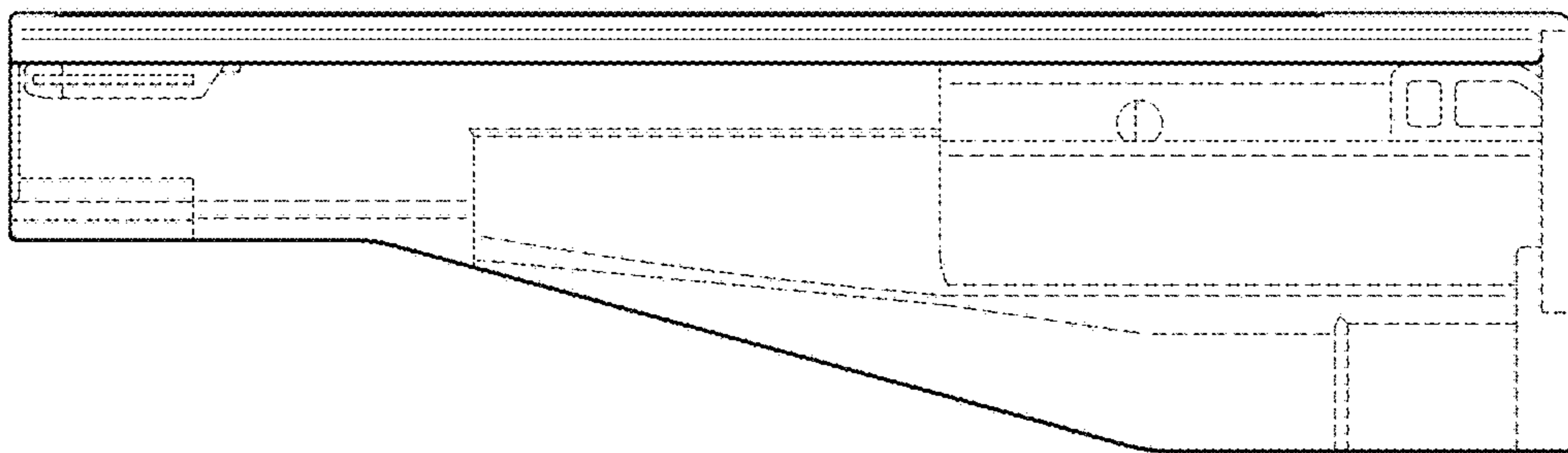


FIG. 5

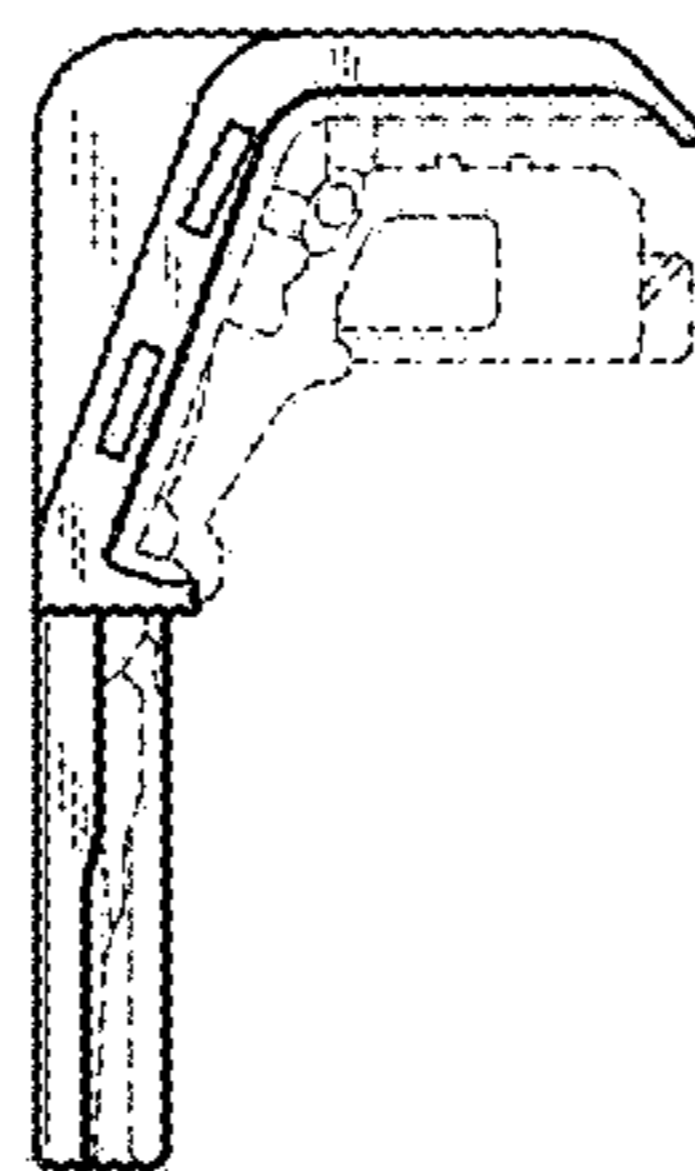


FIG. 6



FIG. 7