



US00D805874S

(12) **United States Design Patent** (10) **Patent No.:** **US D805,874 S**  
**Landecker et al.** (45) **Date of Patent:** **\*\* Dec. 26, 2017**

(54) **DOOR LEVER**

85/12; E05B 85/10; E05B 7/00; E05B 1/0053; E05B 77/265

(71) Applicant: **TAYMOR INDUSTRIES LTD.**, Delta (CA)

See application file for complete search history.

(72) Inventors: **James Thomas Landecker**, Vancouver (CA); **Janet Ruth Rutgers**, White Rock (CA)

(56) **References Cited**

U.S. PATENT DOCUMENTS

(73) Assignee: **TAYMOR INDUSTRIES LTD.**, Delta (CA)

D100,685 S *	8/1936	Curtiss	.....	D8/308
D100,904 S *	8/1936	Lemm	.....	D8/308
2,125,783 A *	8/1938	Heeman	.....	E05B 1/0061 16/412
D115,667 S *	7/1939	Curtiss	.....	D8/308
2,164,486 A *	7/1939	Andrie	.....	E05B 85/10 292/349
4,573,720 A *	3/1986	Nicolai	.....	E05B 47/00 292/144
D511,671 S *	11/2005	Gorkovenko	.....	D8/308
D512,895 S *	12/2005	Sato	.....	D8/308
D566,517 S *	4/2008	Lin	.....	D8/308
D709,349 S *	7/2014	Roberts, III	.....	E05B 85/16 D8/308

(\*\*) Term: **15 Years**

(21) Appl. No.: **29/560,003**

(22) Filed: **Apr. 1, 2016**

(51) **LOC (10) Cl.** ..... **08-06**

(52) **U.S. Cl.**  
USPC ..... **D8/308**

(58) **Field of Classification Search**  
USPC ..... D8/300-302, 307-309, 310, 311, D8/DIG. 10; D23/250, 252; 292/336.3; 74/523, 543; 70/192, 201, 206, 207; 16/110.1, 412, 416, DIG. 30  
CPC ..... Y10T 16/44; Y10T 74/20612; Y10T 74/20732; Y10T 16/458; Y10T 16/498; Y10T 16/469; Y10T 16/476; Y10T 74/20744; Y10T 74/20864; Y10T 16/4628; Y10T 74/20642; Y10T 16/473; Y10T 74/20762; Y10T 74/2042; Y10T 74/20828; Y10T 16/459; Y10T 16/4713; Y10T 74/2014; Y10T 16/50; Y10T 74/20438; Y10T 74/20582; Y10T 74/20738; Y10T 16/48; Y10T 74/20618; Y10T 74/20684; Y10T 74/20624; Y10T 74/20468; Y10T 16/61; Y10T 16/4719; Y10T 16/86; Y10S 16/30; Y10S 292/31; Y10S 292/53; Y10S 16/12; Y10S 292/23; Y10S 292/27; Y10S 292/30; Y10S 292/63; E05B 85/16; E05B 1/0015; E05B 77/06; E05B 79/06; E05B 85/18; E05B

(Continued)

*Primary Examiner* — Lauren Calve  
(74) *Attorney, Agent, or Firm* — Borden Ladner Gervais LLP; Curtis B. Behmann

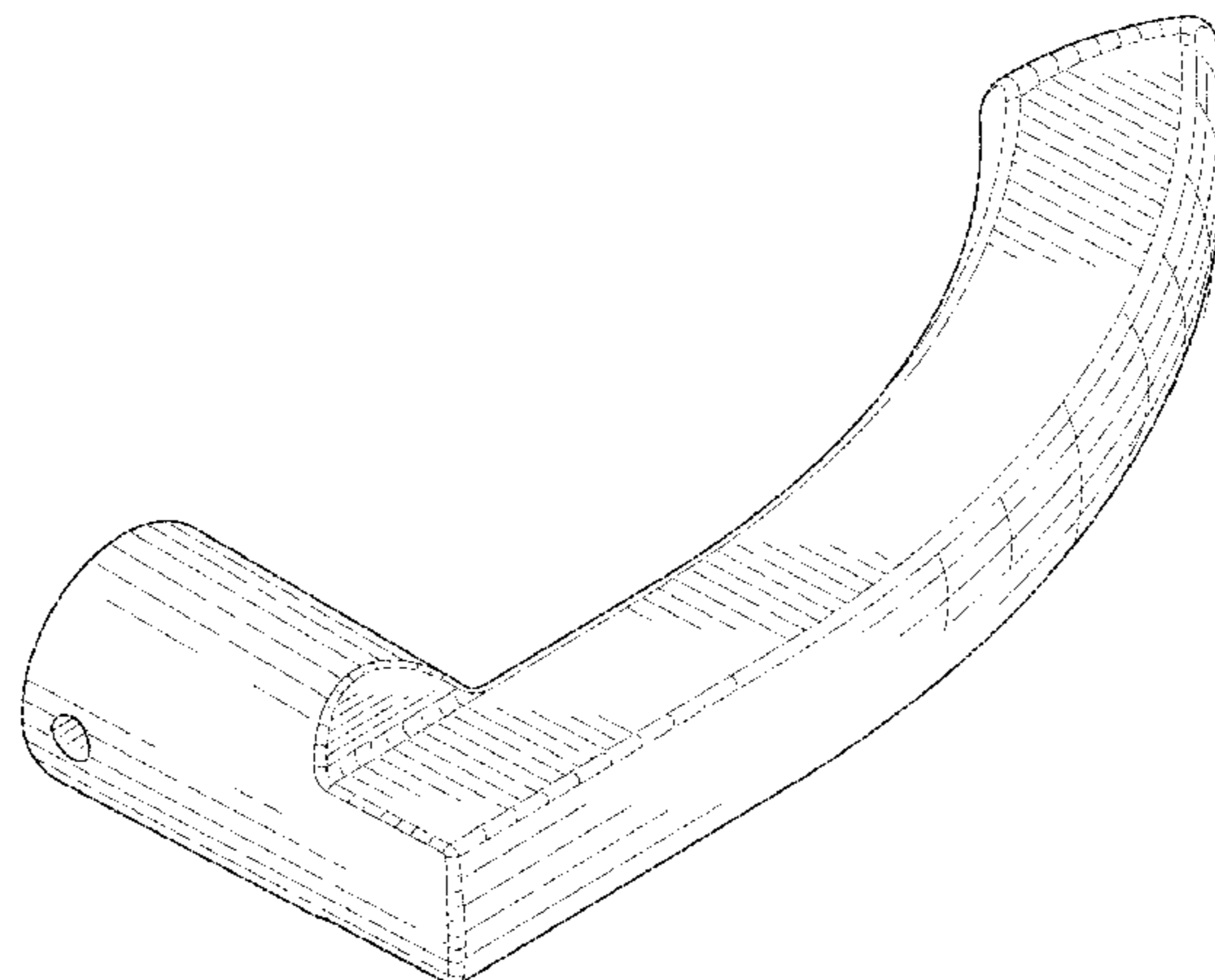
(57) **CLAIM**

The ornamental design for a door lever, as shown and described.

**DESCRIPTION**

FIG. 1 is a top left perspective view of a door lever;  
FIG. 2 is a rear right perspective view thereof;  
FIG. 3 is a front view thereof;  
FIG. 4 is a rear view thereof;  
FIG. 5 is a left side view thereof;  
FIG. 6 is a right side view thereof;  
FIG. 7 is a top view thereof; and,  
FIG. 8 is a bottom view thereof.  
The broken lines shown represent unclaimed subject matter and form no part of the claimed design.

**1 Claim, 5 Drawing Sheets**



(56)

**References Cited**

U.S. PATENT DOCUMENTS

2005/0134059 A1\* 6/2005 Ichino ..... E05B 85/12  
292/336.3

\* cited by examiner

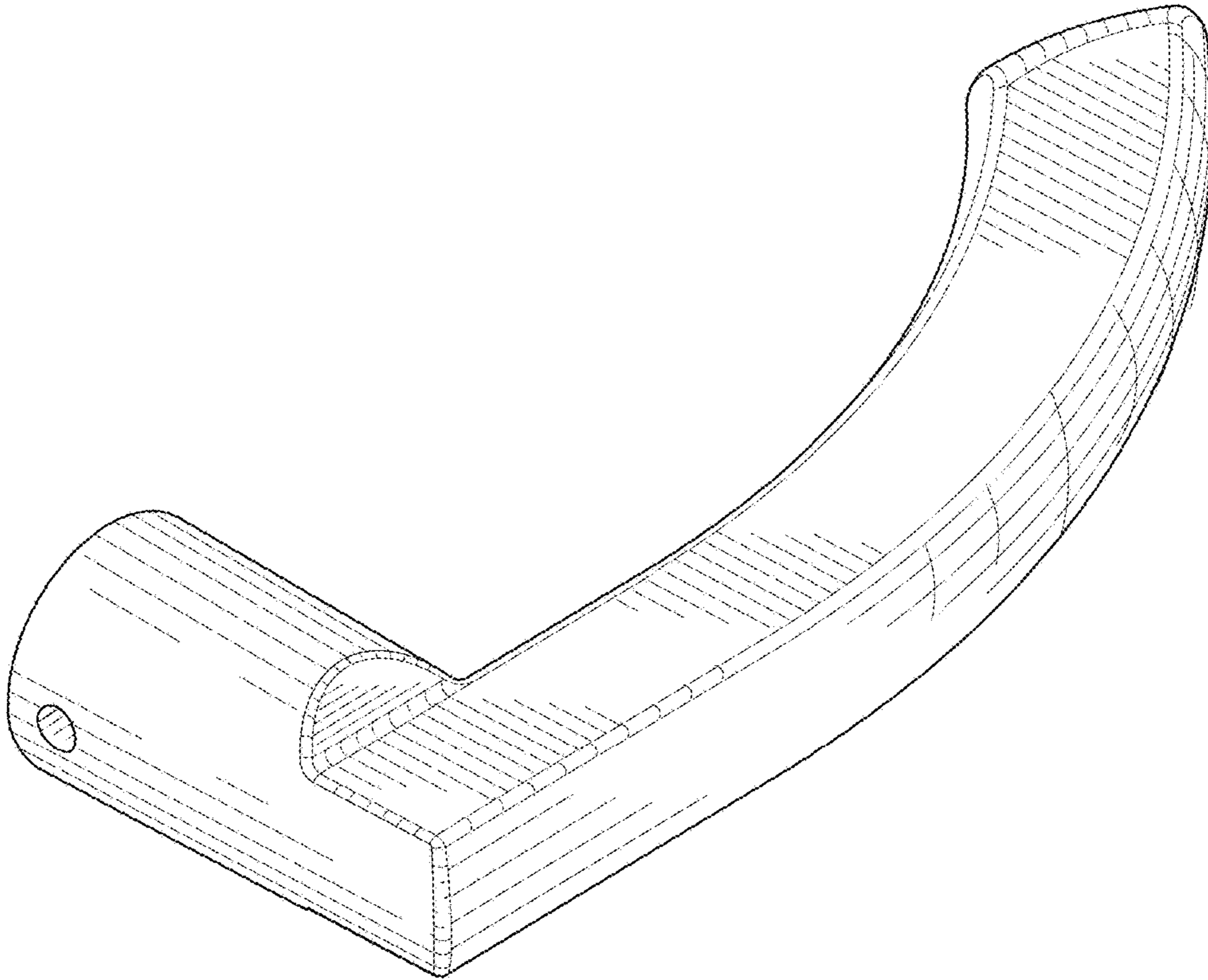


FIG.1

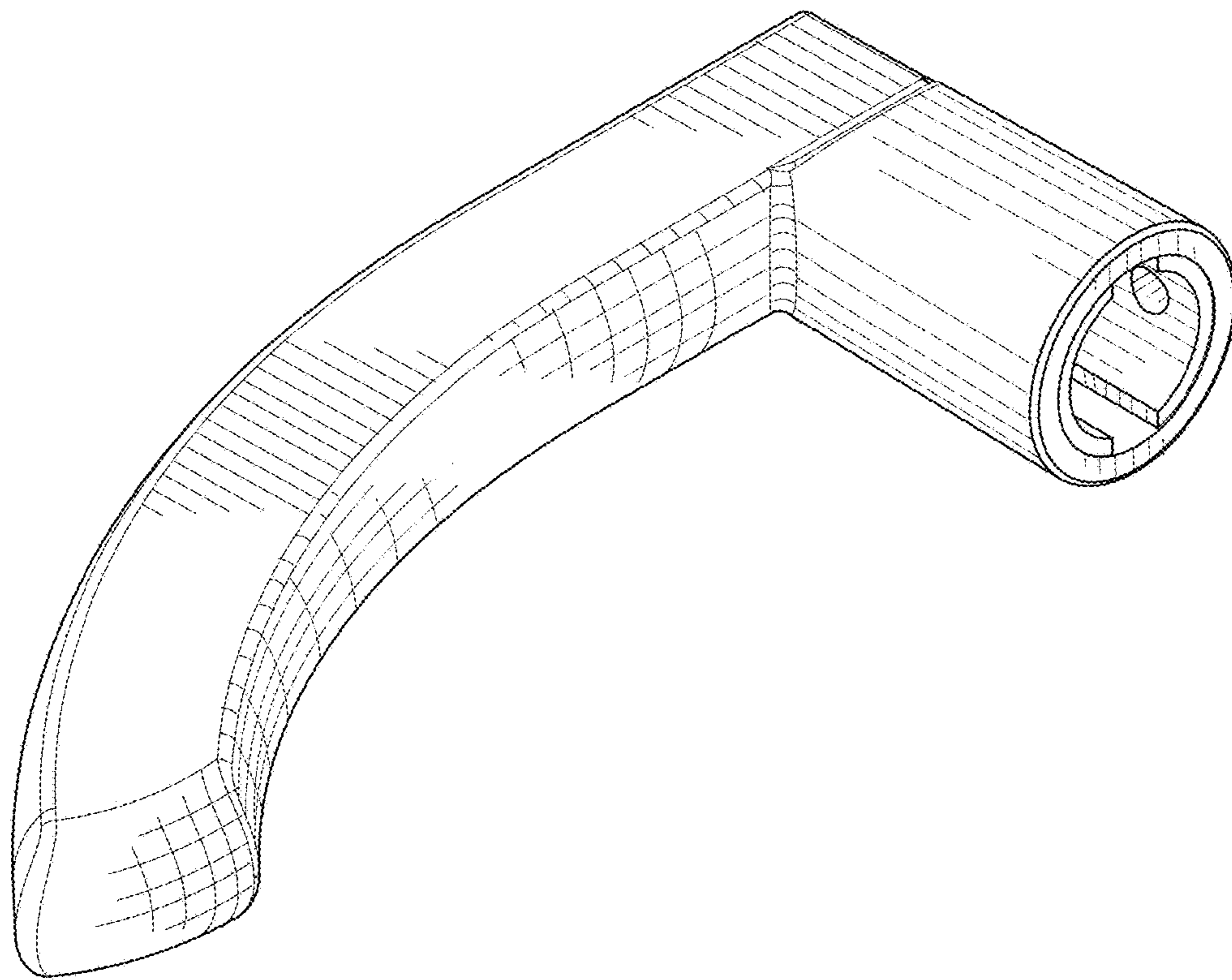


FIG.2

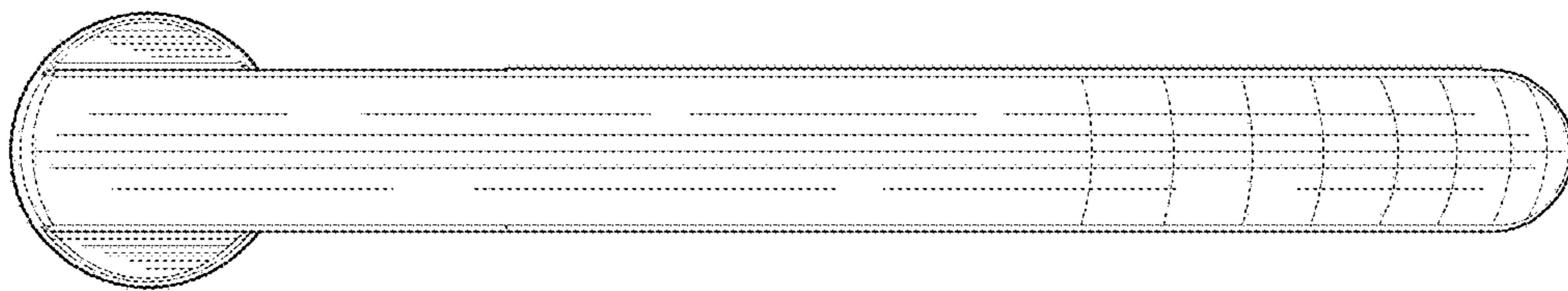


FIG.3

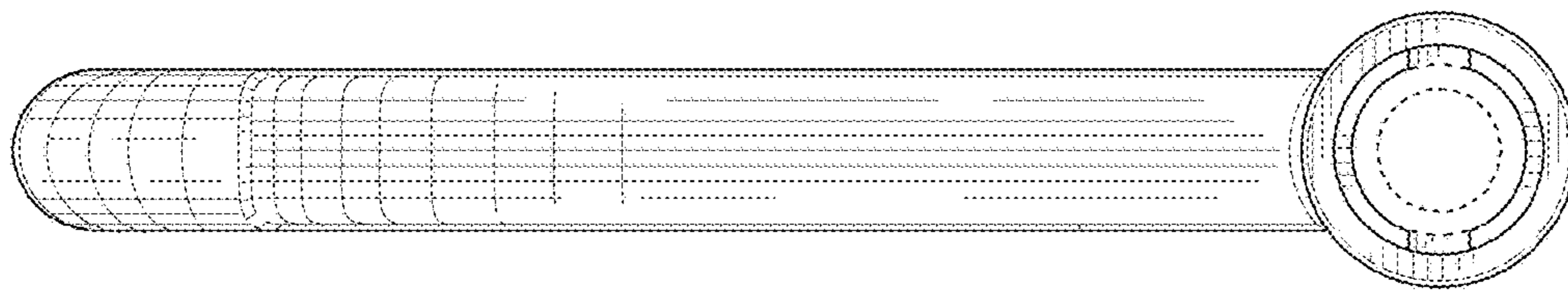


FIG.4

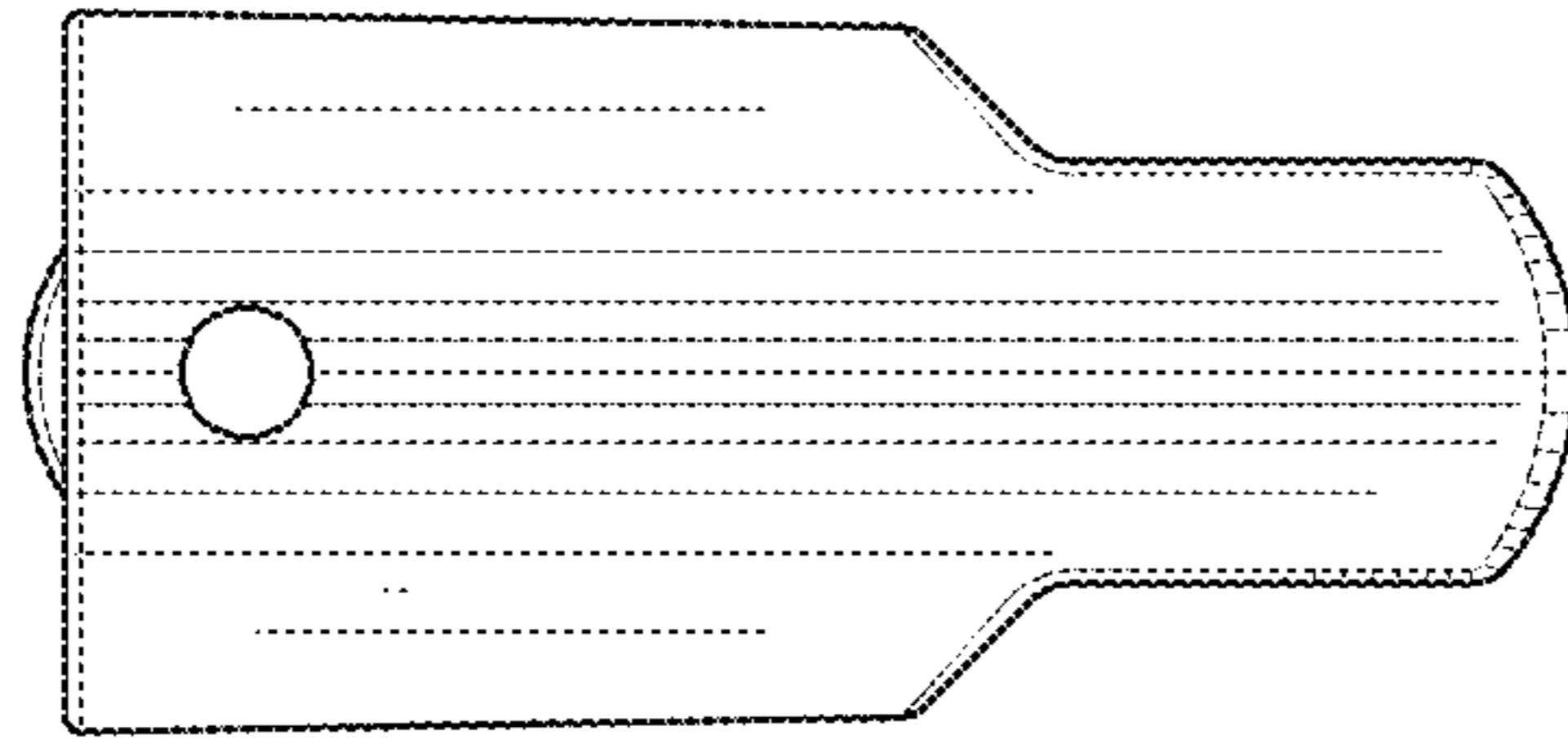


FIG. 5

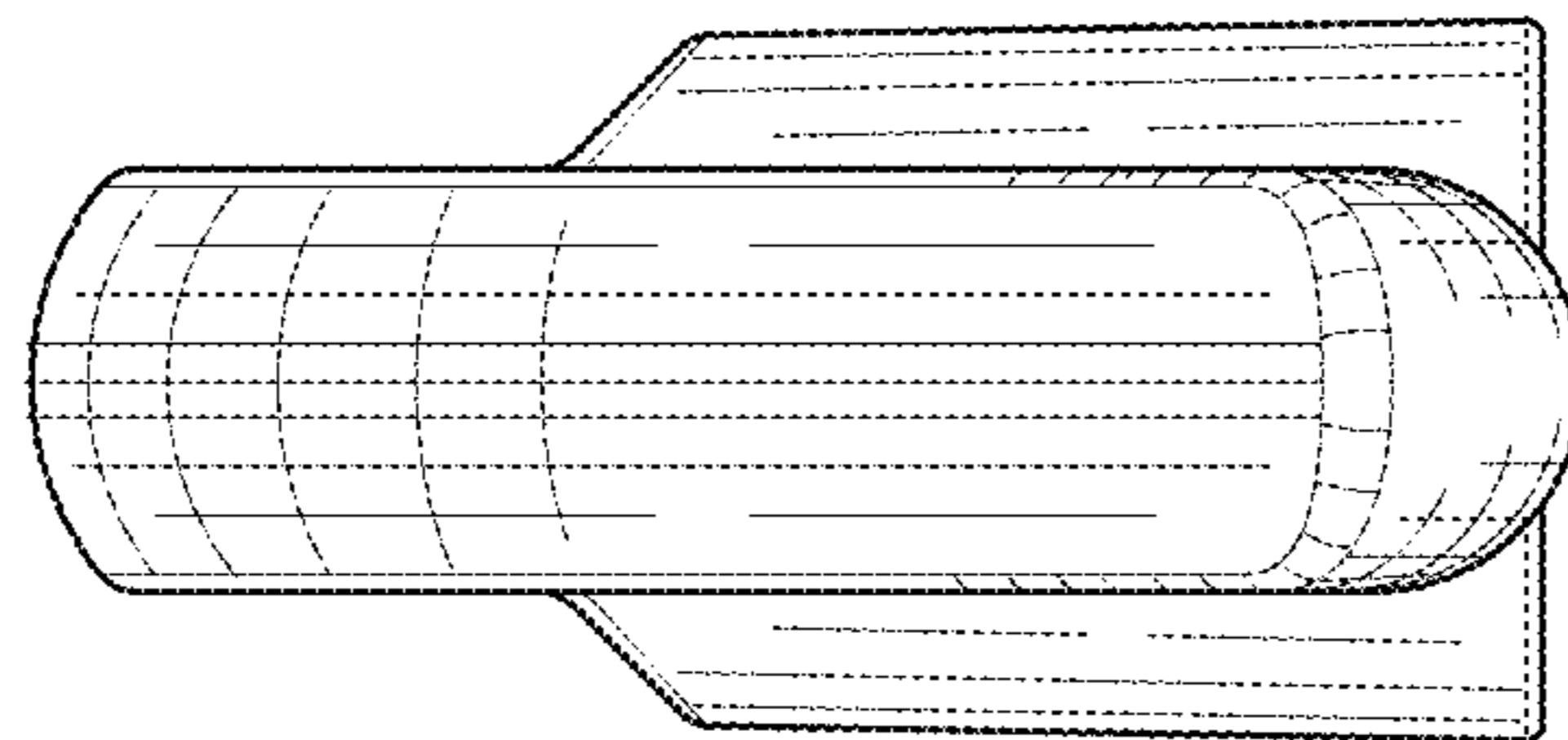


FIG. 6

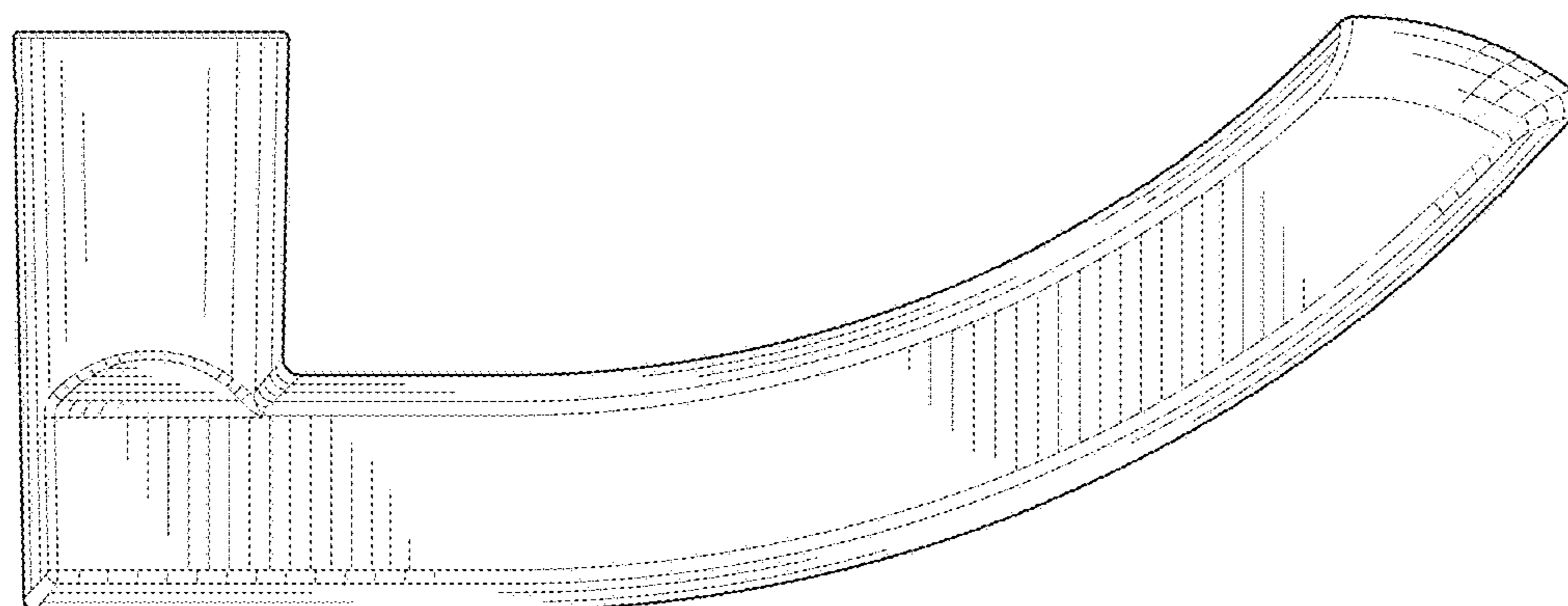


FIG. 7

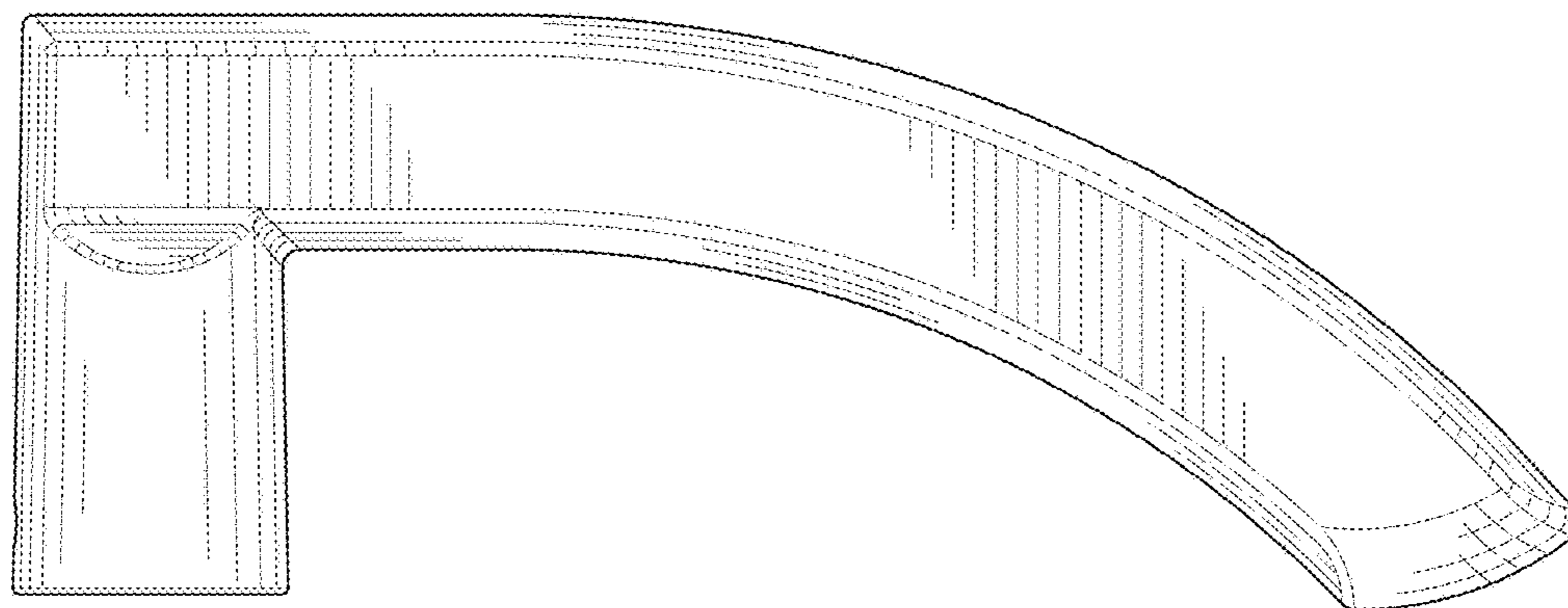


FIG. 8