

US00D805873S

(12) **United States Design Patent**  
**Cetera et al.**

(10) **Patent No.:** **US D805,873 S**  
(45) **Date of Patent:** **\*\* Dec. 26, 2017**

(54) **MULTITOOL AND COVER COMBINATION**

(71) Applicants: **Carl Cetera**, Westfield, NJ (US);  
**Christon G. Suess**, Bergenfield, NJ  
(US); **Jillian Walbroel**, Woodland Park,  
NJ (US); **Jeffrey Steel**, Hoboken, NJ  
(US)

(72) Inventors: **Carl Cetera**, Westfield, NJ (US);  
**Christon G. Suess**, Bergenfield, NJ  
(US); **Jillian Walbroel**, Woodland Park,  
NJ (US); **Jeffrey Steel**, Hoboken, NJ  
(US)

(73) Assignee: **Cotapaxi Custom Design and  
Manufacturing LLC**, Carlstadt, NJ  
(US)

(\*\*) Term: **15 Years**

(21) Appl. No.: **29/577,464**

(22) Filed: **Sep. 13, 2016**

(51) **LOC (10) Cl.** ..... **08-05**

(52) **U.S. Cl.**  
USPC ..... **D8/105**

(58) **Field of Classification Search**  
USPC .... D8/105, 38, 55, 17, 18, 21, 53, 100, 103,  
D8/26, 34, 87, 99, 356, 28; D3/210, 248,  
D3/249

CPC .. B25B 15/008; B25F 1/00; B25F 1/02; B25F  
1/04; F16B 45/02

See application file for complete search history.

(56) **References Cited**

U.S. PATENT DOCUMENTS

D46,468 S *	9/1914	Falconer	81/3.55
D152,066 S *	12/1948	Crowley	D10/64
D360,815 S *	8/1995	Padden	D8/105
D374,388 S *	10/1996	Padden	D8/105
D416,581 S *	11/1999	Cheng	D19/65

D431,105 S *	9/2000	Ling	D3/228
D434,624 S *	12/2000	Padden	D8/105
D444,060 S *	6/2001	Elsener, Sr.	D9/418
D446,436 S *	8/2001	Christianson	D10/104.1
6,347,875 B1 *	2/2002	Painsith	A45C 11/00 362/118
D462,000 S *	8/2002	Hightower	D8/40
6,460,698 B1 *	10/2002	Wang	B25F 1/02 206/234
D512,835 S *	12/2005	Hunter, Jr.	D3/249
D513,120 S *	12/2005	Hunter, Jr.	D3/249
D517,390 S *	3/2006	Cheng	D8/105

(Continued)

*Primary Examiner* — Janice Hallmark

(74) *Attorney, Agent, or Firm* — Steven E. Shapiro

(57) **CLAIM**

The ornamental design for the multitool and cover combination, as shown and described.

**DESCRIPTION**

FIG. 1 is a top rear perspective view of a multitool and cover combination;

FIG. 2 is a bottom rear perspective view of the multitool and cover combination;

FIG. 3 is a front view of the multitool and cover combination;

FIG. 4 is a rear view of the multitool and cover combination;

FIG. 5 is a left side view of the multitool and cover combination;

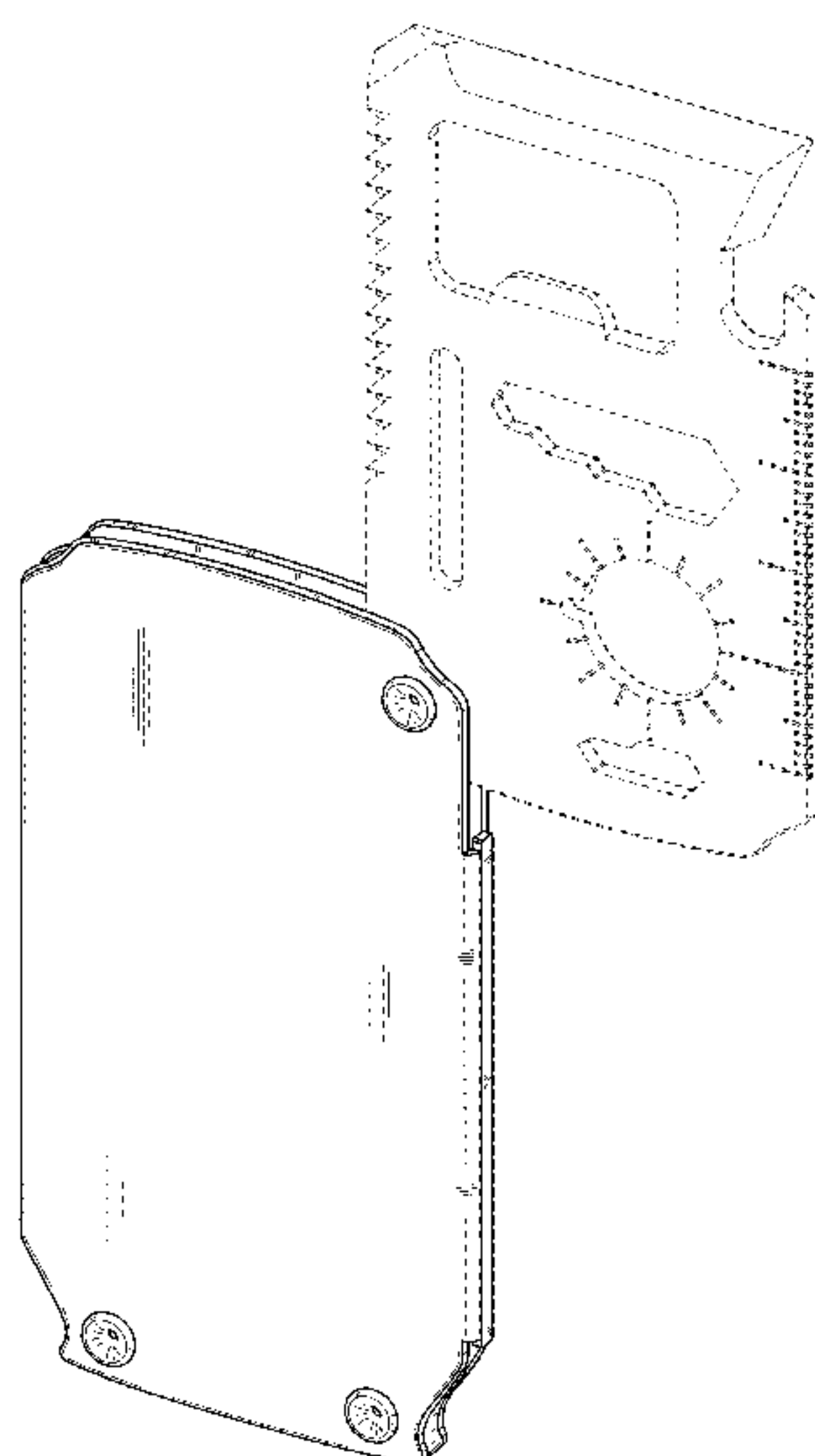
FIG. 6 is a right side view of the multitool and cover combination;

FIG. 7 is a top view of the multitool and cover combination; and,

FIG. 8 is a bottom view of the multitool and cover combination.

The broken lines in the drawings depict parts of the multitool and cover combination that form no part of the claimed design.

**1 Claim, 8 Drawing Sheets**



(56)

**References Cited**

U.S. PATENT DOCUMENTS

D558,825 S \* 1/2008 Masters ..... D19/3  
D615,294 S \* 5/2010 Liang ..... D3/210  
D710,179 S \* 8/2014 Thomas ..... D8/105  
D751,877 S \* 3/2016 Shlaferman ..... D8/19  
9,302,383 B2 \* 4/2016 Barr ..... B25F 1/00  
D768,980 S \* 10/2016 Alexander ..... D3/210  
D772,677 S \* 11/2016 Celestine ..... D8/105  
D772,678 S \* 11/2016 Haarburger ..... D8/105  
2002/0179463 A1 \* 12/2002 Newman ..... A45C 11/00  
206/234  
2007/0028452 A1 \* 2/2007 LaFauci ..... B26B 27/005  
30/142  
2009/0199941 A1 \* 8/2009 Toner ..... A45C 1/06  
150/143  
2015/0240524 A1 \* 8/2015 Olroyd ..... B25H 3/02  
81/15.9

\* cited by examiner

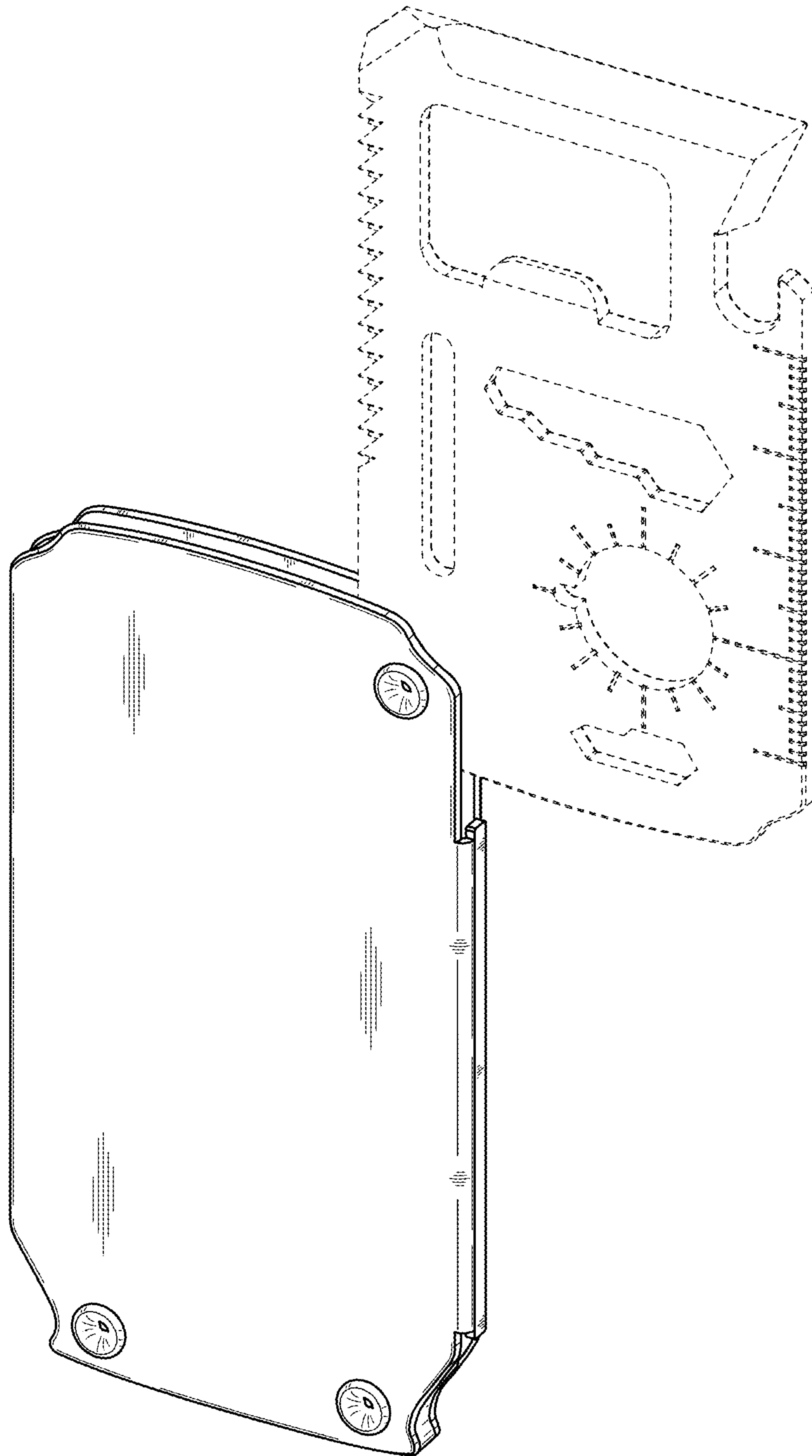


FIG. 1

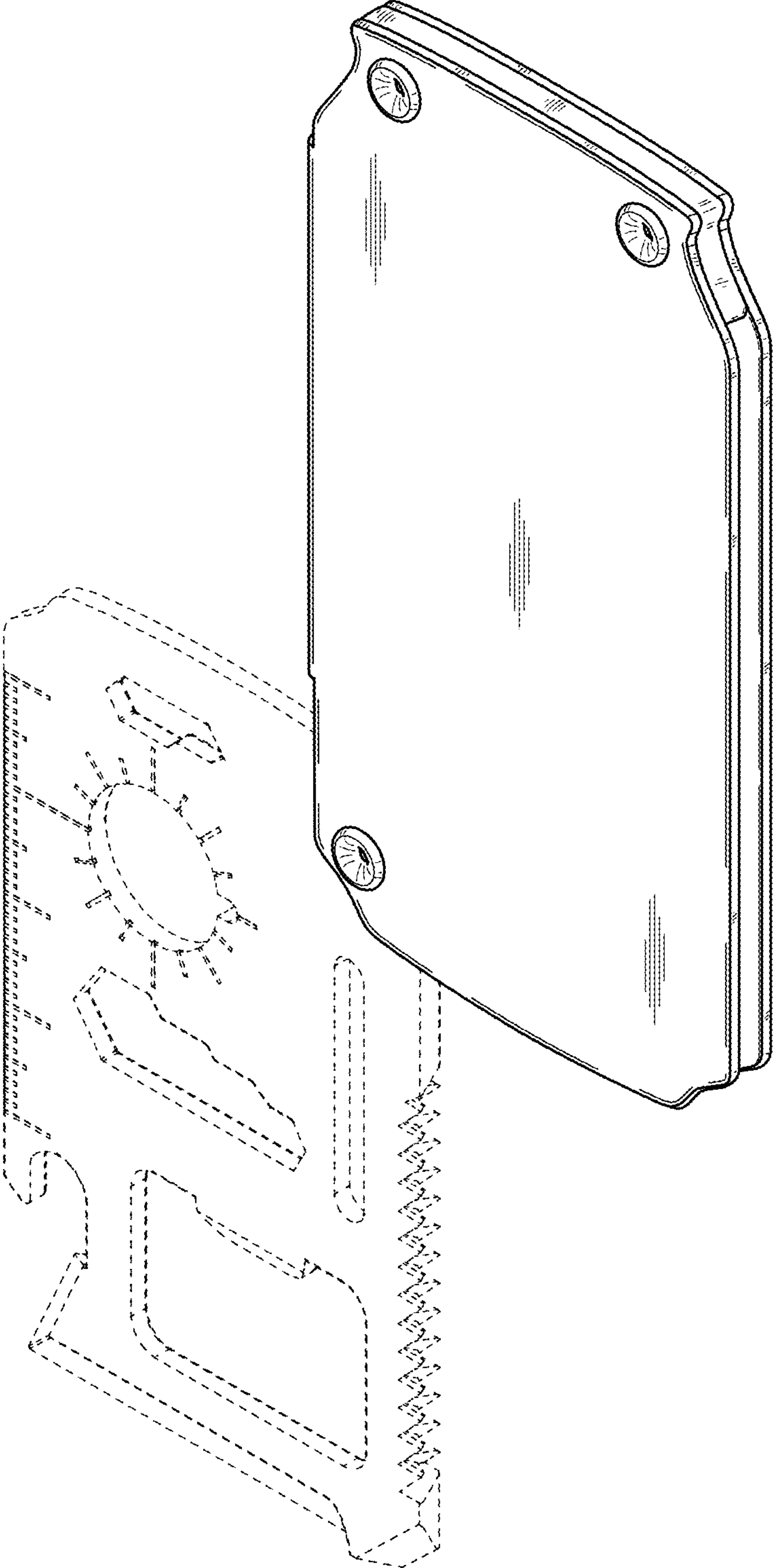


FIG. 2

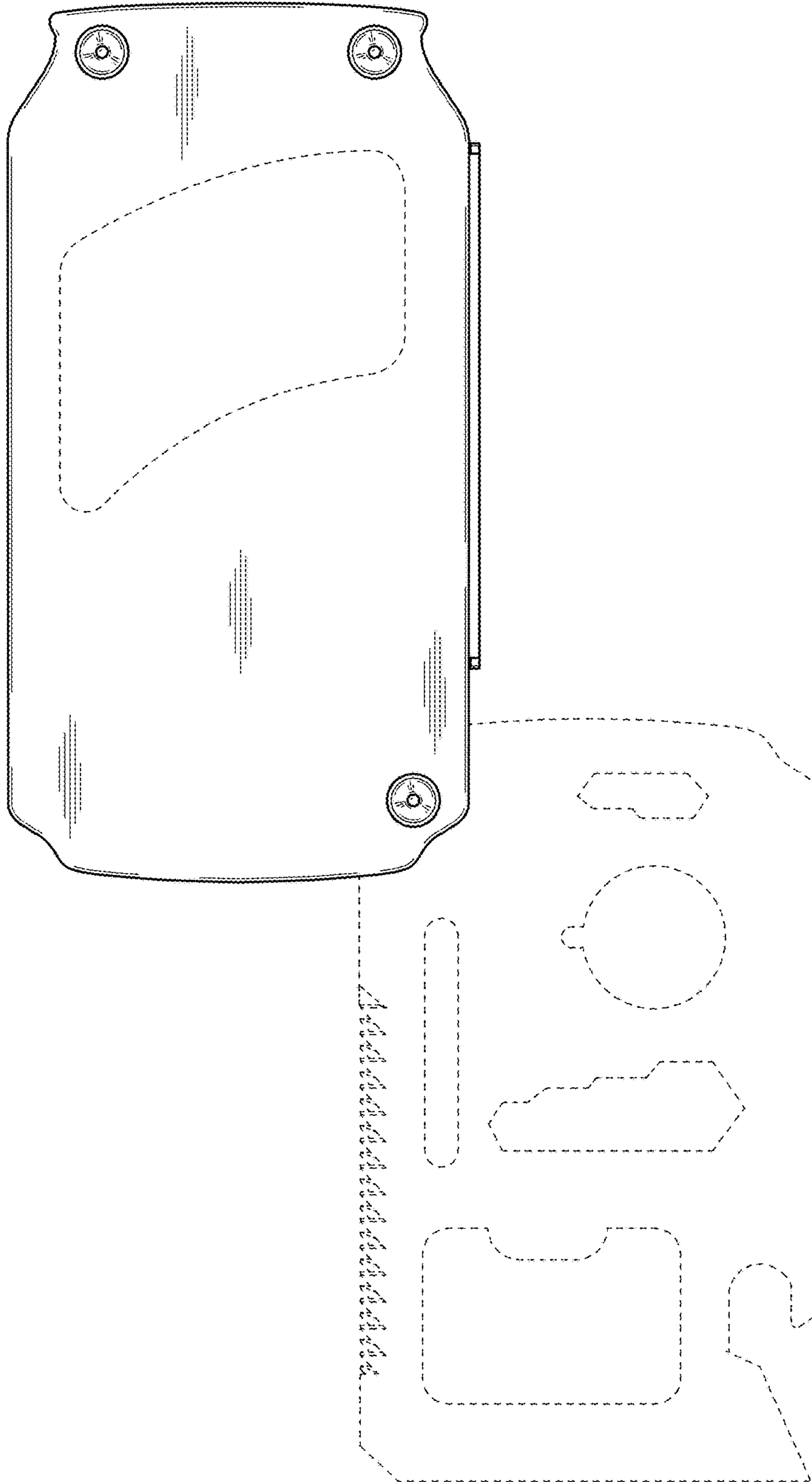


FIG. 3



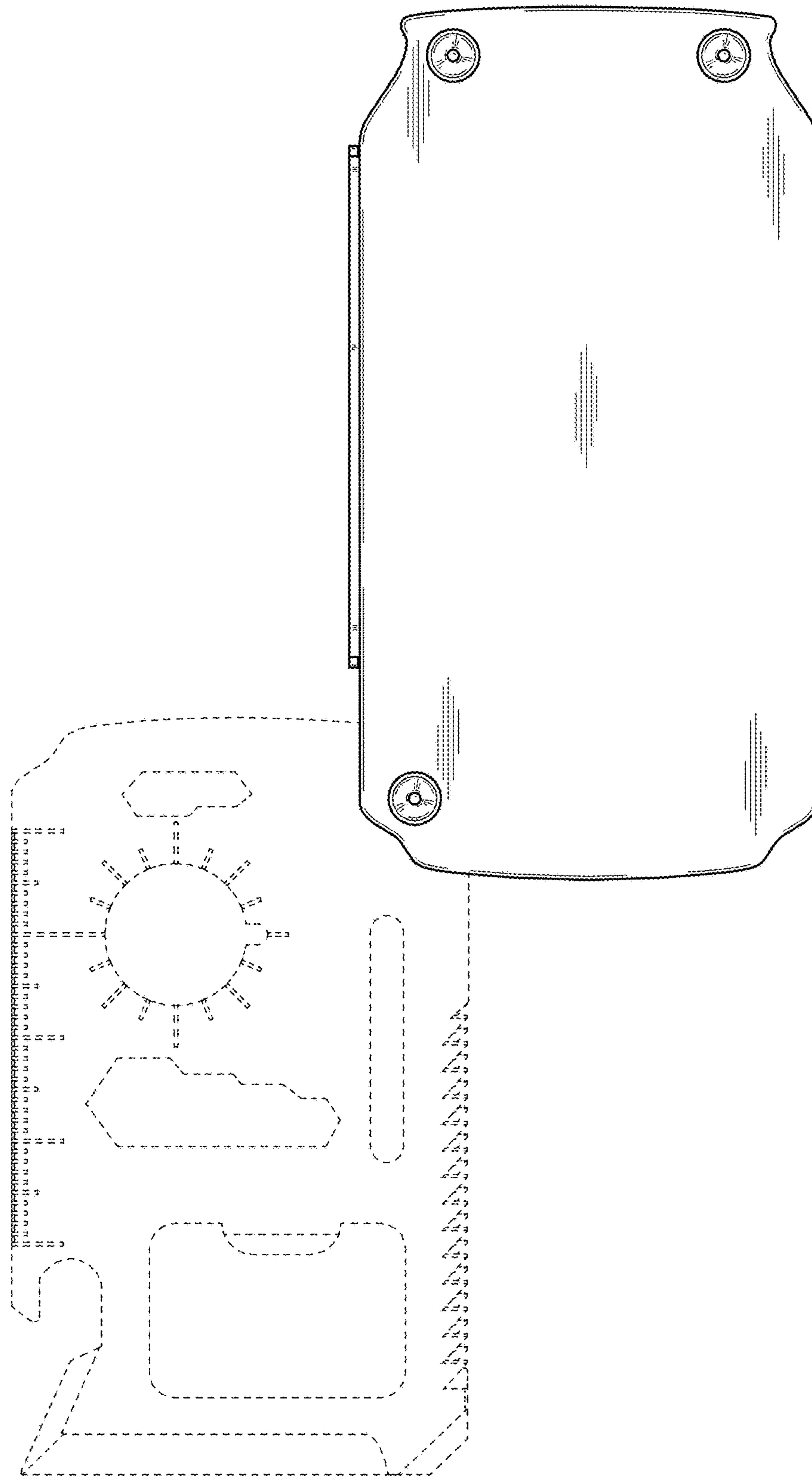


FIG. 4

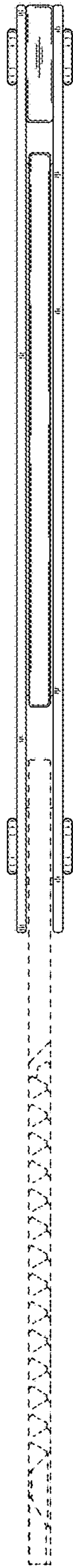


FIG. 5

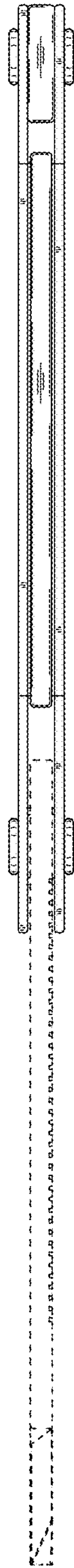


FIG. 6



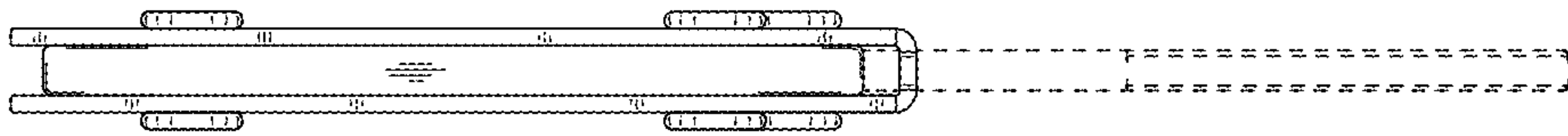


FIG. 7

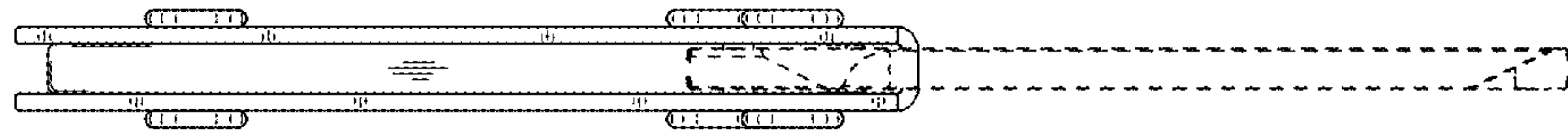


FIG. 8