



US00D805872S

(12) **United States Design Patent**
Asbery

(10) **Patent No.:** **US D805,872 S**

(45) **Date of Patent:** **** Dec. 26, 2017**

(54) **AUTO GLASS REMOVAL TOOL**

(71) Applicant: **Equalizer Industries, Inc.**, Round Rock, TX (US)

(72) Inventor: **Eric Asbery**, Round Rock, TX (US)

(73) Assignee: **Equalizer Industries, Inc.**, Round Rock, TX (US)

(**) Term: **15 Years**

(21) Appl. No.: **29/576,512**

(22) Filed: **Sep. 2, 2016**

(51) **LOC (10) Cl.** **08-03**

(52) **U.S. Cl.**

USPC **D8/98; D8/14**

(58) **Field of Classification Search**

USPC D8/98, 14, 51

CPC B65H 51/00; B65H 54/00; F16B 47/006;

F16B 13/022; B26B 27/002

See application file for complete search history.

(56) **References Cited**

U.S. PATENT DOCUMENTS

3,970,341	A *	7/1976	Glanemann	B66C 1/0212
					294/186
5,184,858	A *	2/1993	Arai	B65G 49/061
					116/70
5,622,093	A *	4/1997	Hutchins	B26B 27/002
					29/281.1
6,338,619	B1 *	1/2002	Rusch	B29C 73/025
					156/94
6,616,800	B2 *	9/2003	Eriksson	B26B 27/002
					156/714
7,309,089	B2 *	12/2007	Perlman	B25B 11/005
					294/189
8,776,652	B2 *	7/2014	Clabunde	B26B 27/002
					30/116
9,057,398	B2 *	6/2015	Yang	F16B 47/006

9,664,227	B2 *	5/2017	Huang	F16B 47/006
2009/0121102	A1 *	5/2009	Woo	G09F 7/12
					248/205.7
2010/0132882	A1 *	6/2010	Hess	B26B 27/002
					156/250
2010/0252700	A1 *	10/2010	Wang	F16B 47/00
					248/206.2
2012/0112023	A1 *	5/2012	Tollman	F16B 47/006
					248/205.7

* cited by examiner

Primary Examiner — Phillip S Hyder

(74) *Attorney, Agent, or Firm* — The Culbertson Group, P.C.

(57) **CLAIM**

The ornamental design for an auto glass removal tool, as shown.

DESCRIPTION

FIG. 1 is a perspective view from above and to the left of an auto glass removal tool showing the new design.

FIG. 2 is a perspective view from below and to the left of the auto glass removal tool shown in FIG. 1.

FIG. 3 is a front view of the auto glass removal tool shown in FIG. 1.

FIG. 4 is a rear view of the auto glass removal tool shown in FIG. 1.

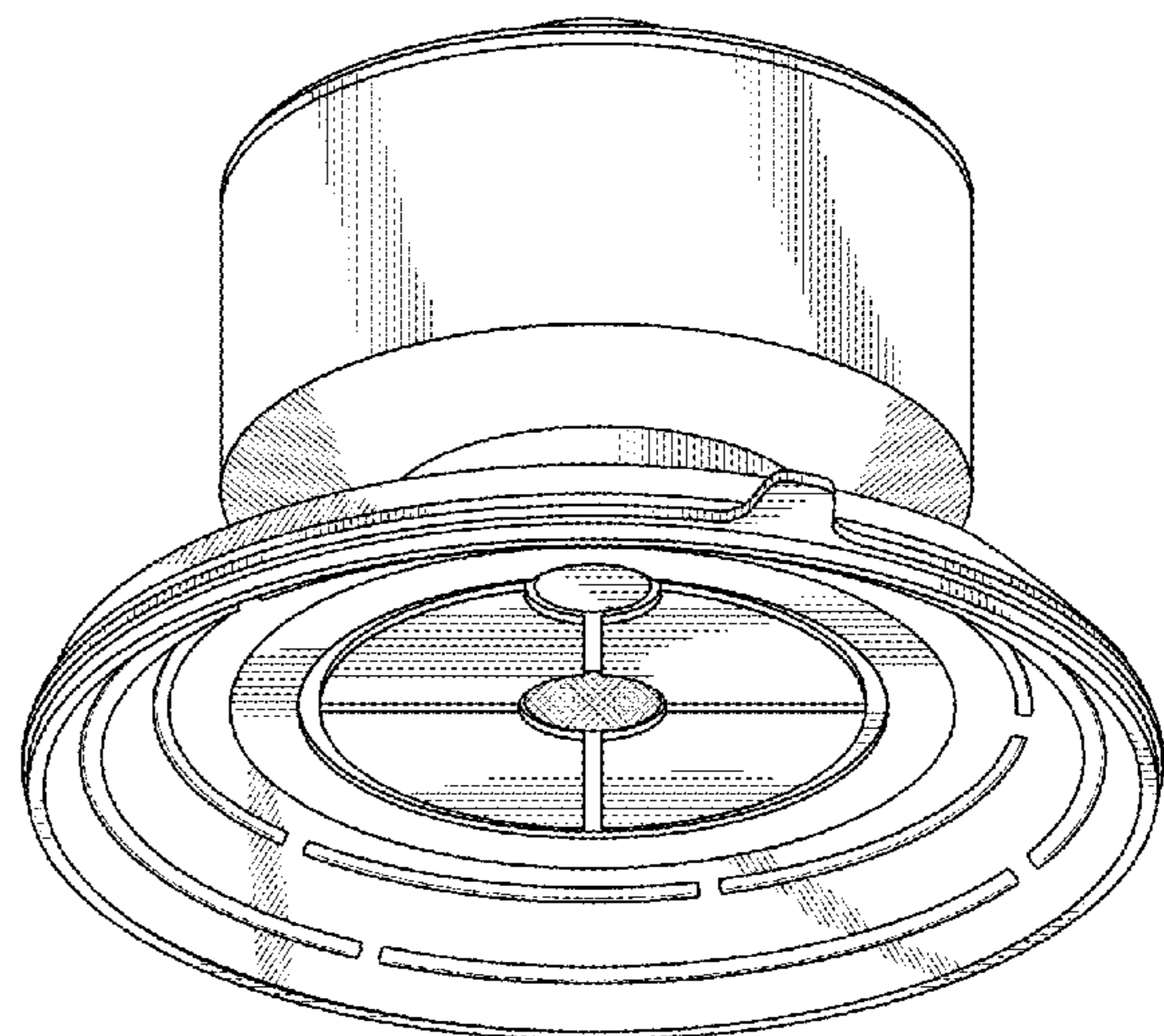
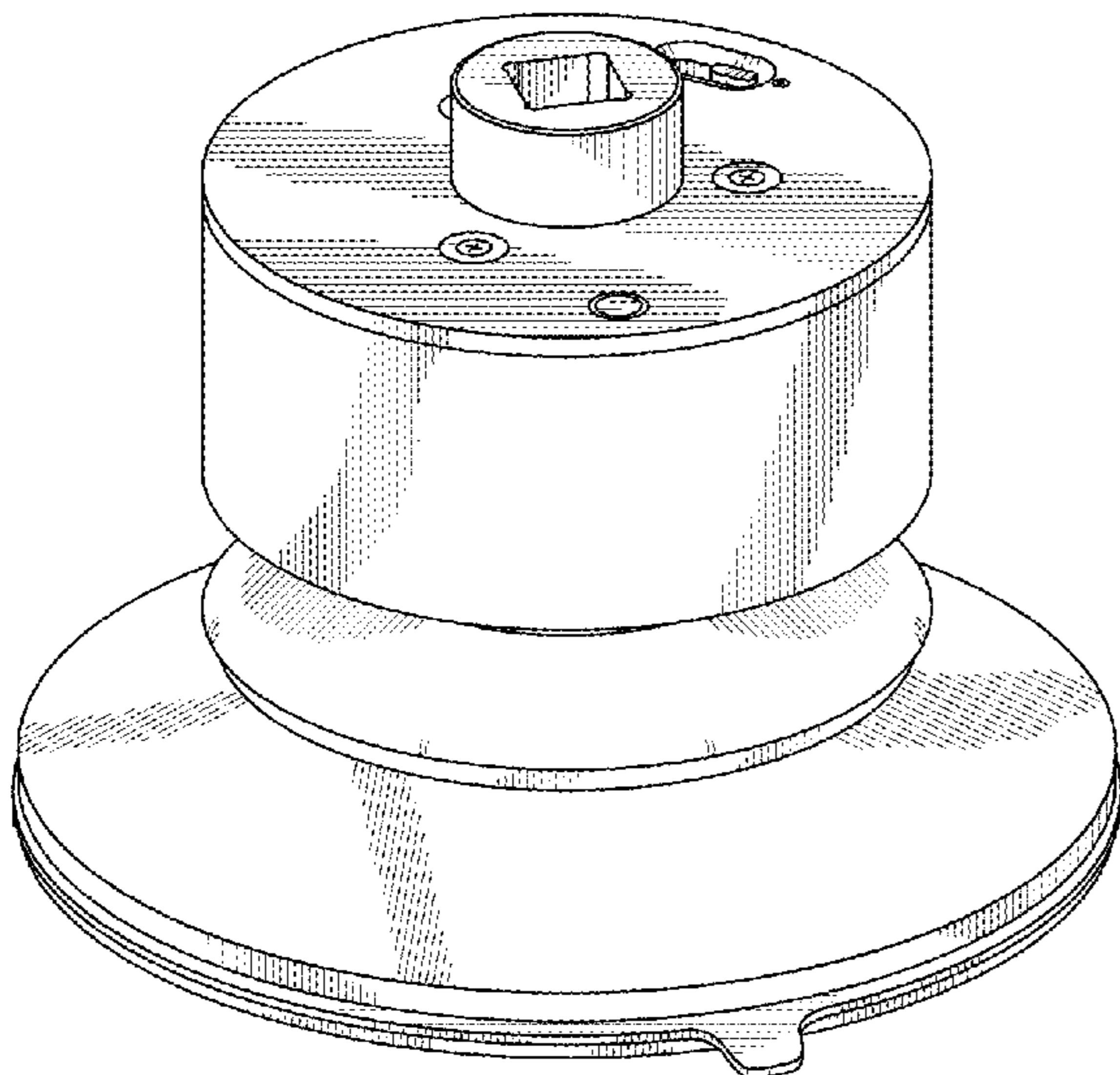
FIG. 5 is a left side view of the auto glass removal tool shown in FIG. 1.

FIG. 6 is a right side view of the auto glass removal tool shown in FIG. 1.

FIG. 7 is a top view of the auto glass removal tool shown in FIG. 1; and,

FIG. 8 is a bottom view of the auto glass removal tool shown in FIG. 1.

1 Claim, 4 Drawing Sheets



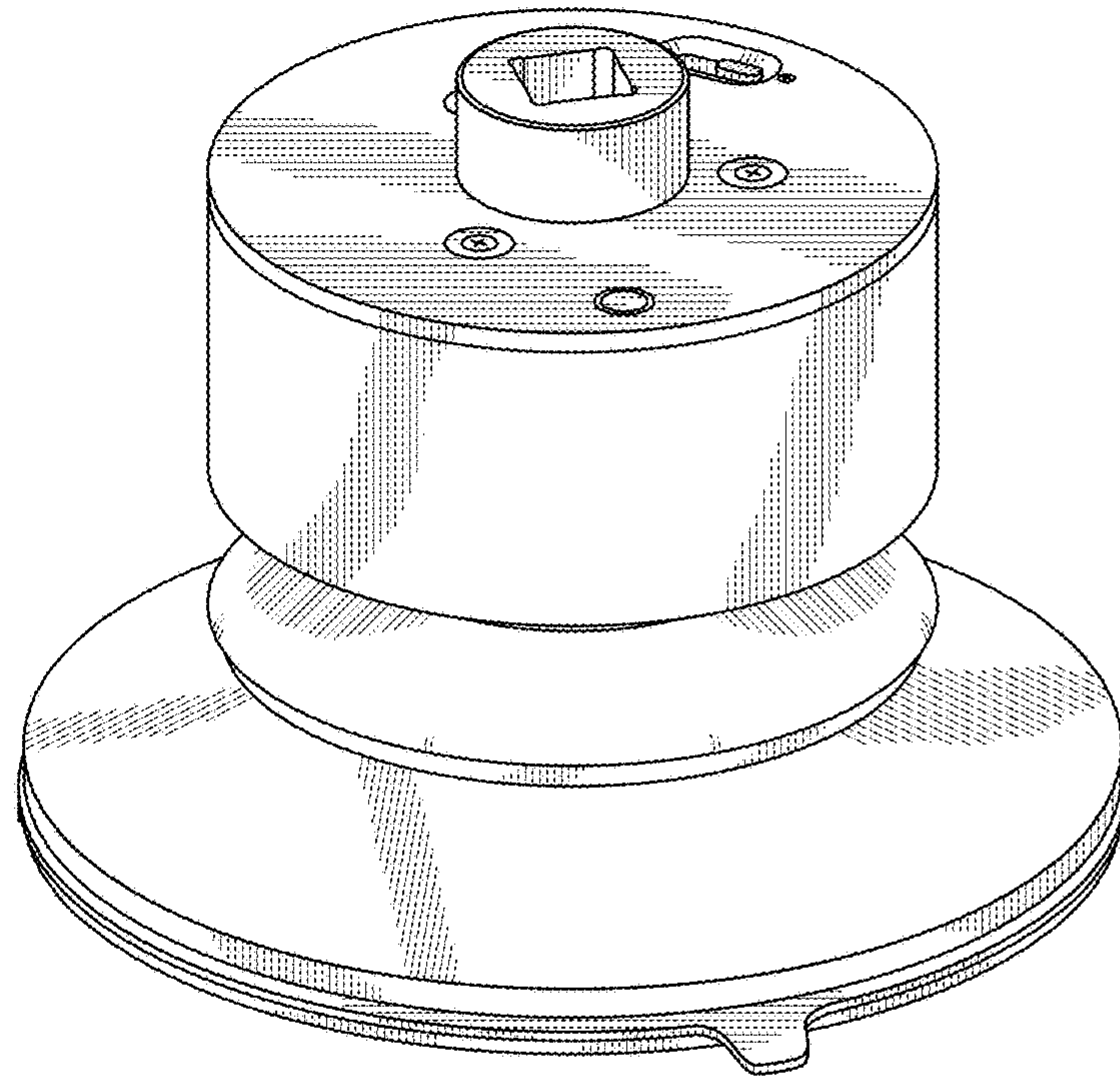


FIG. 1

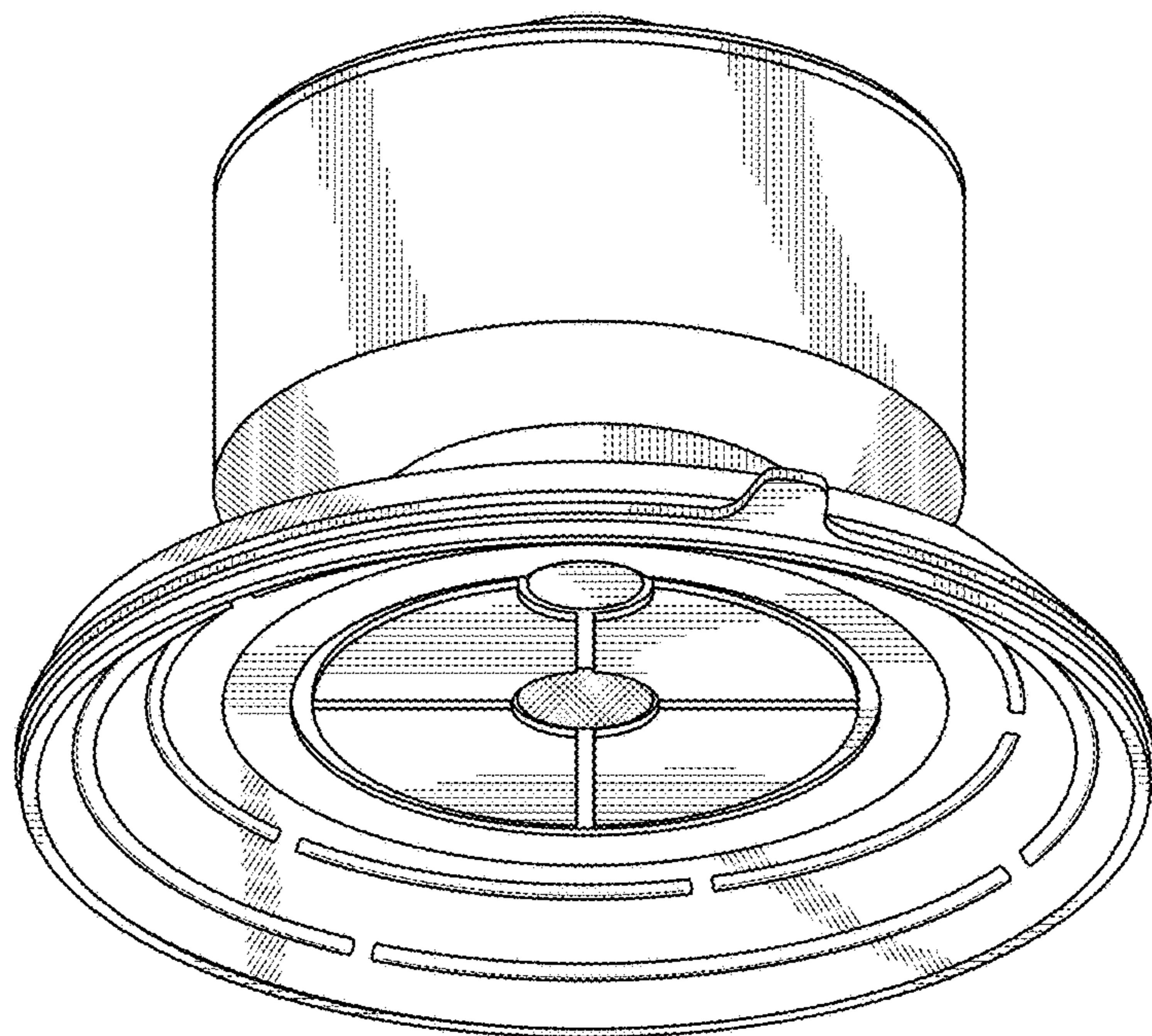


FIG. 2

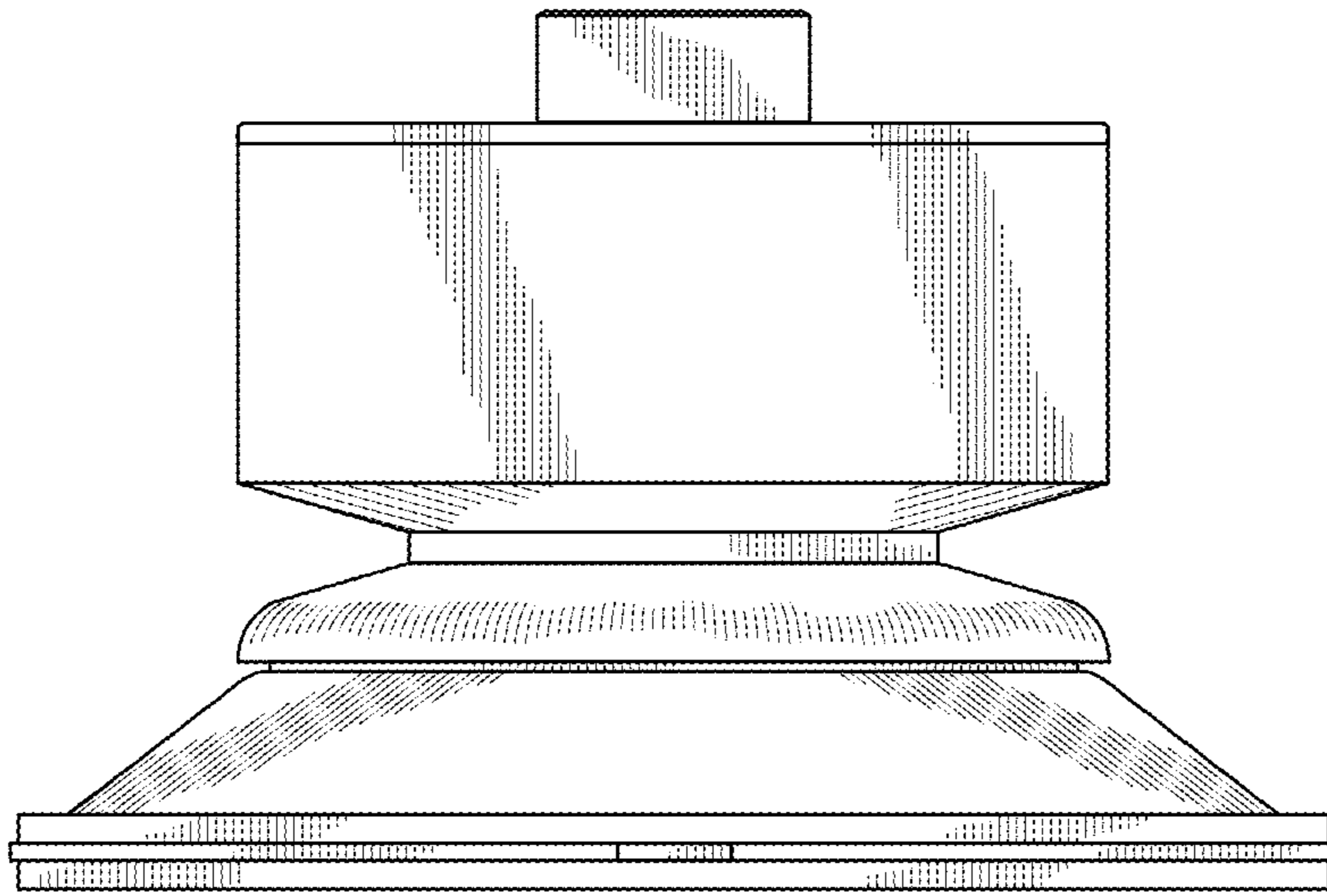


FIG. 3

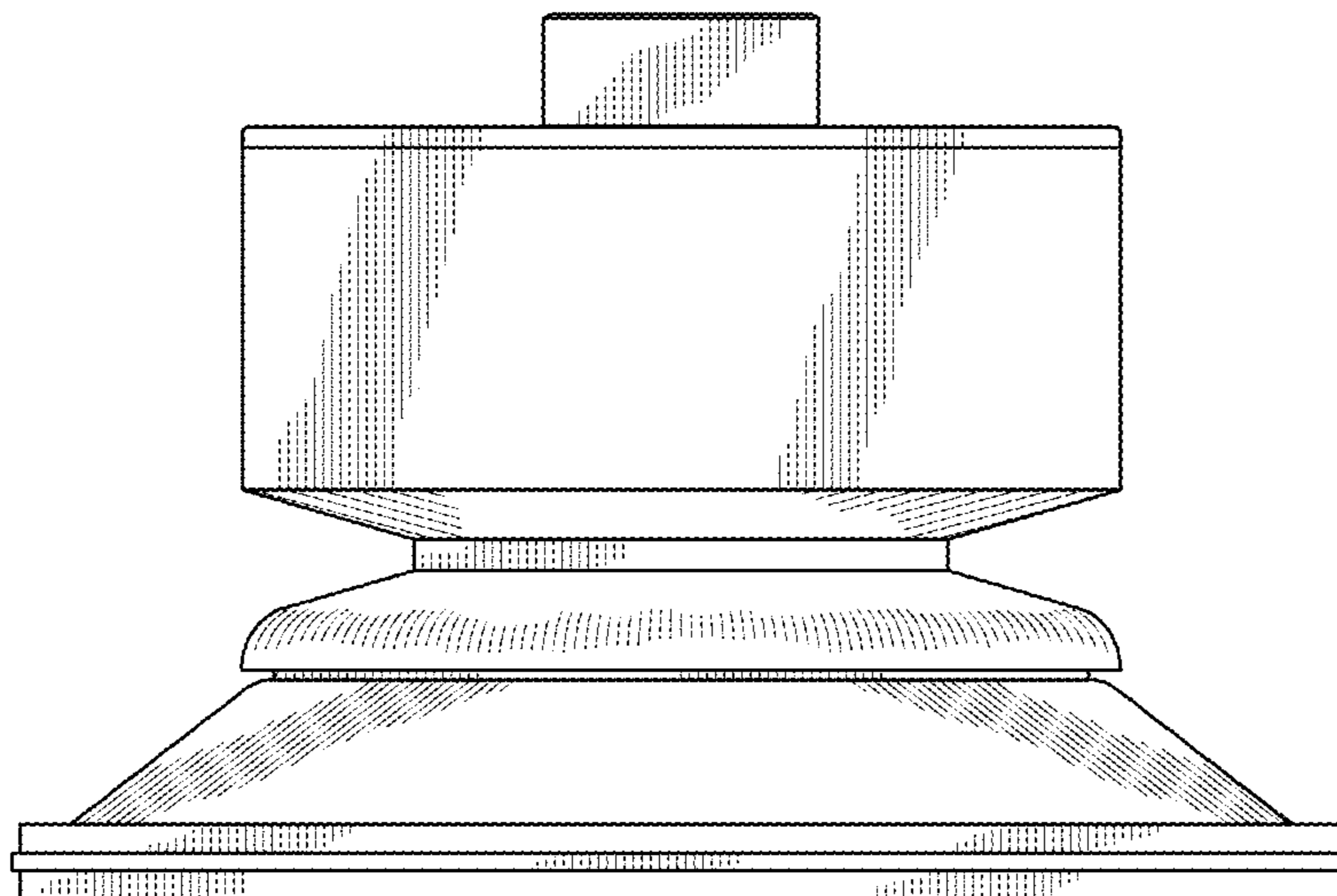


FIG. 4

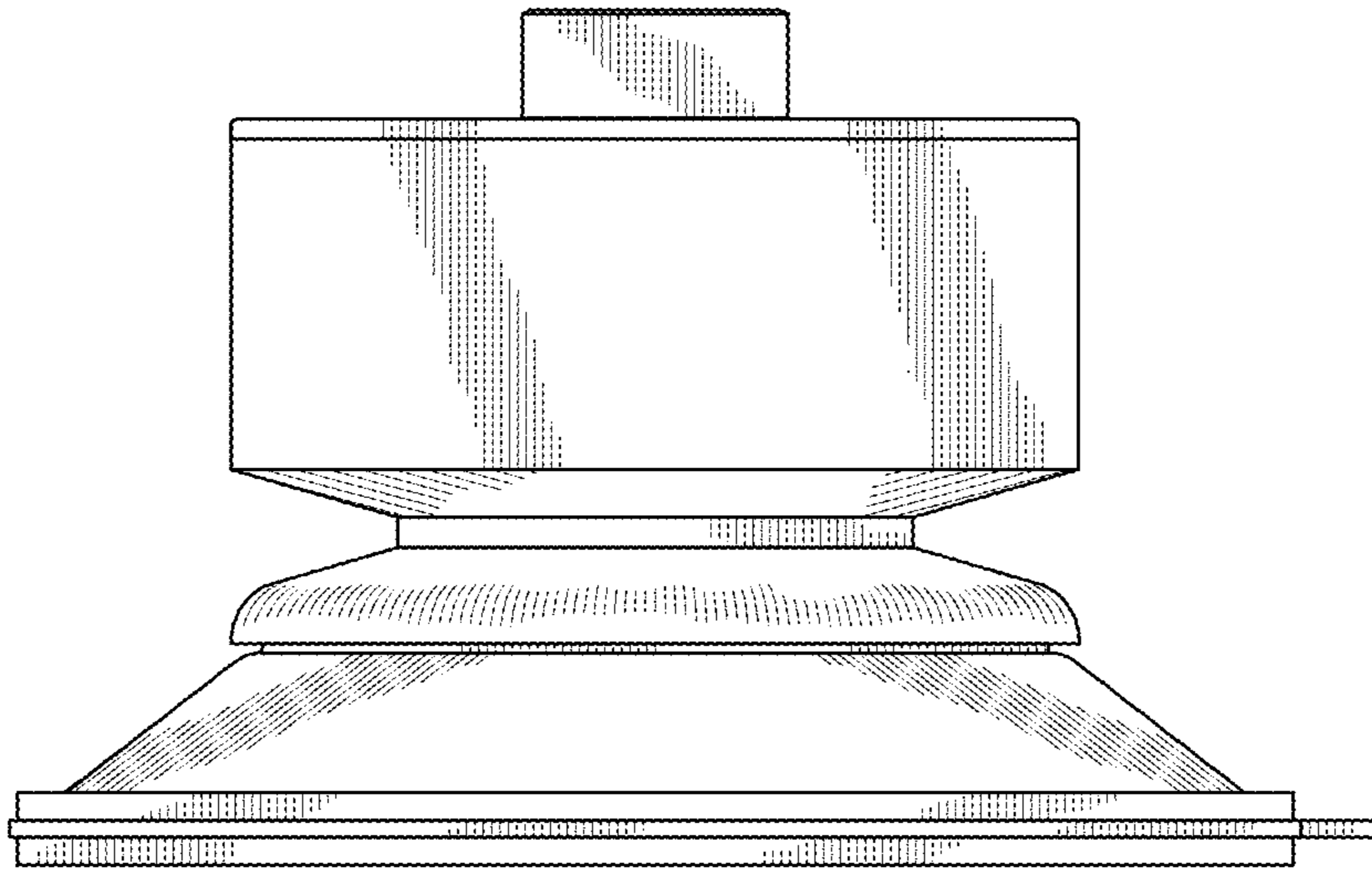


FIG. 5

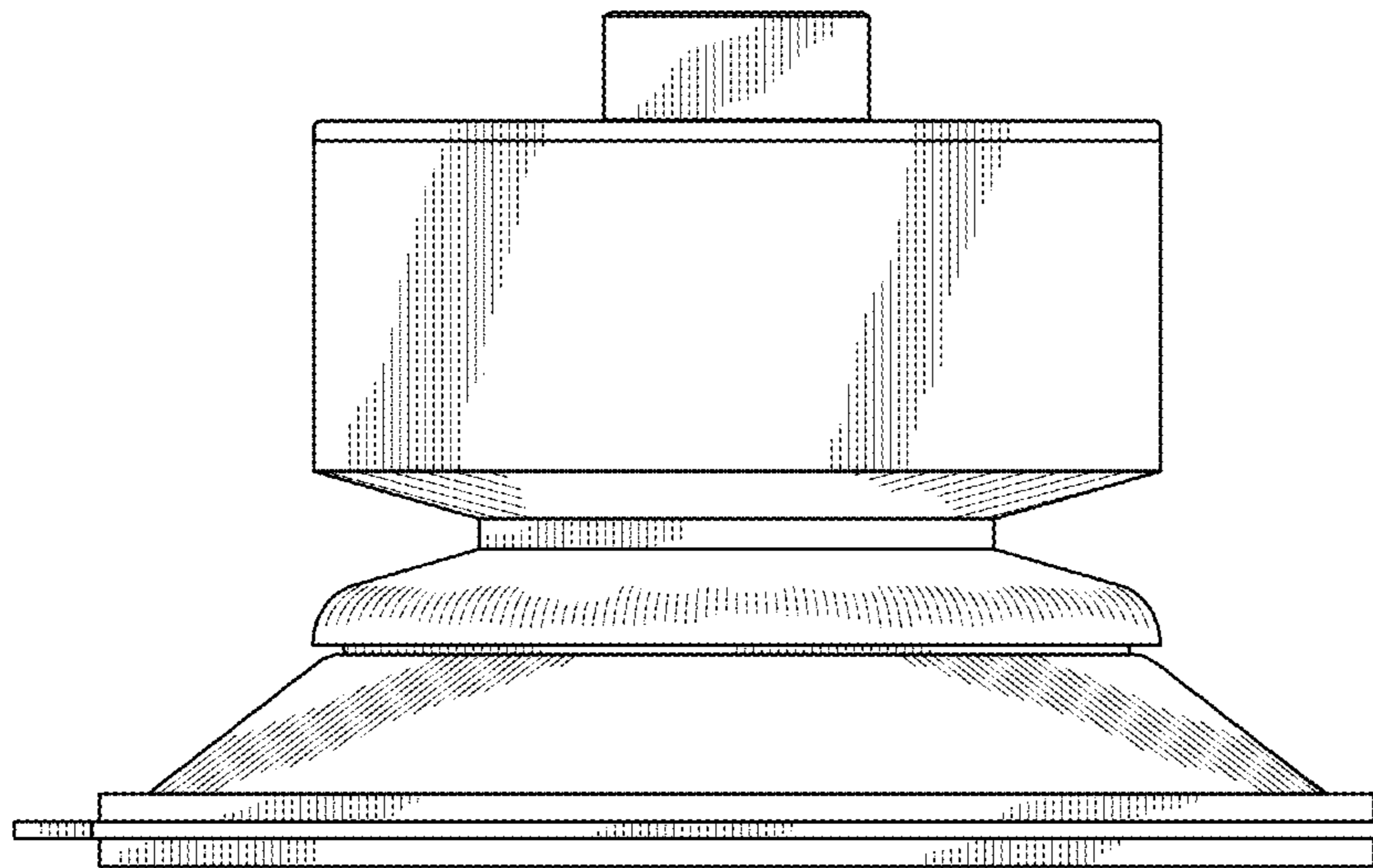


FIG. 6

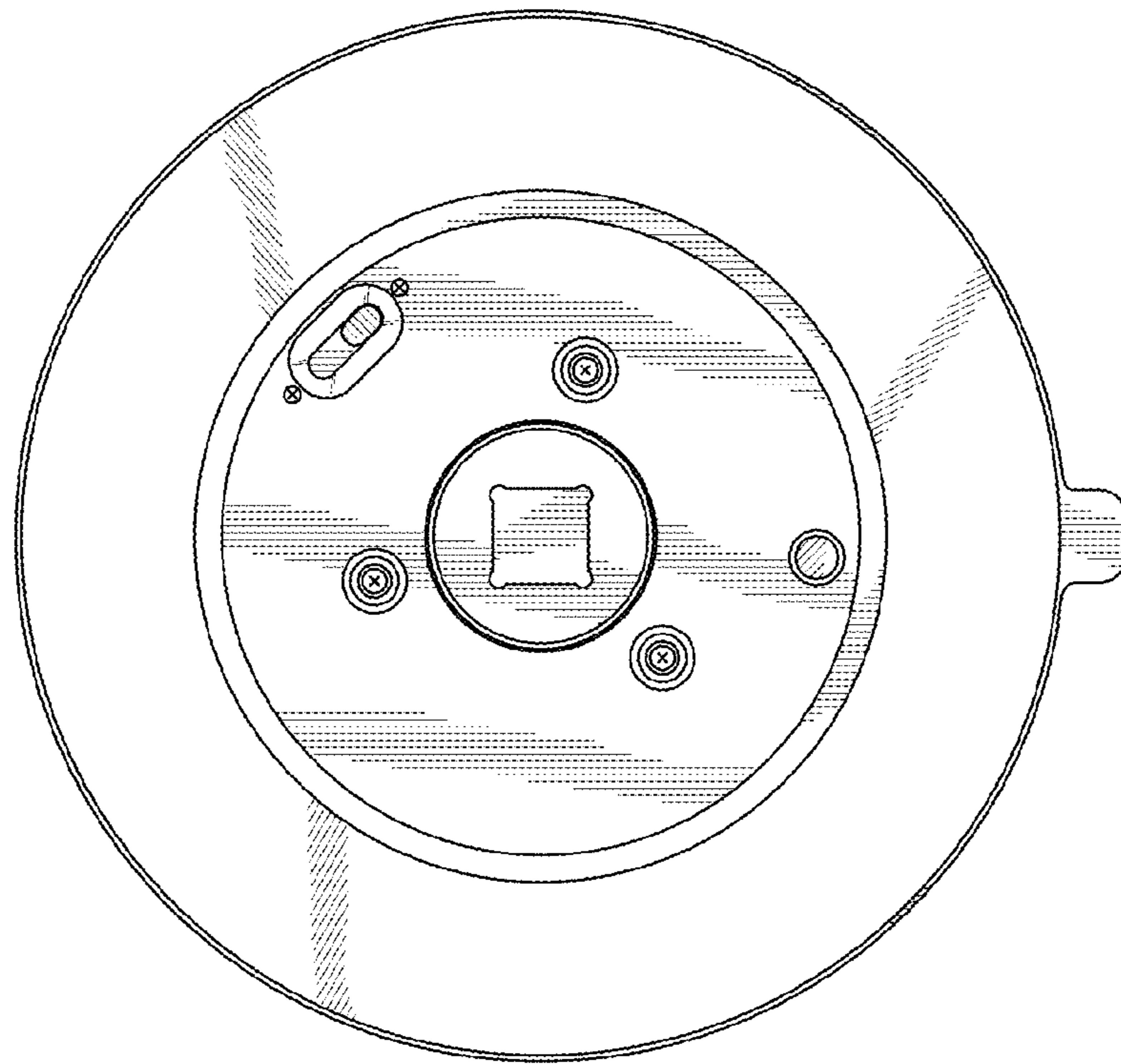


FIG. 7

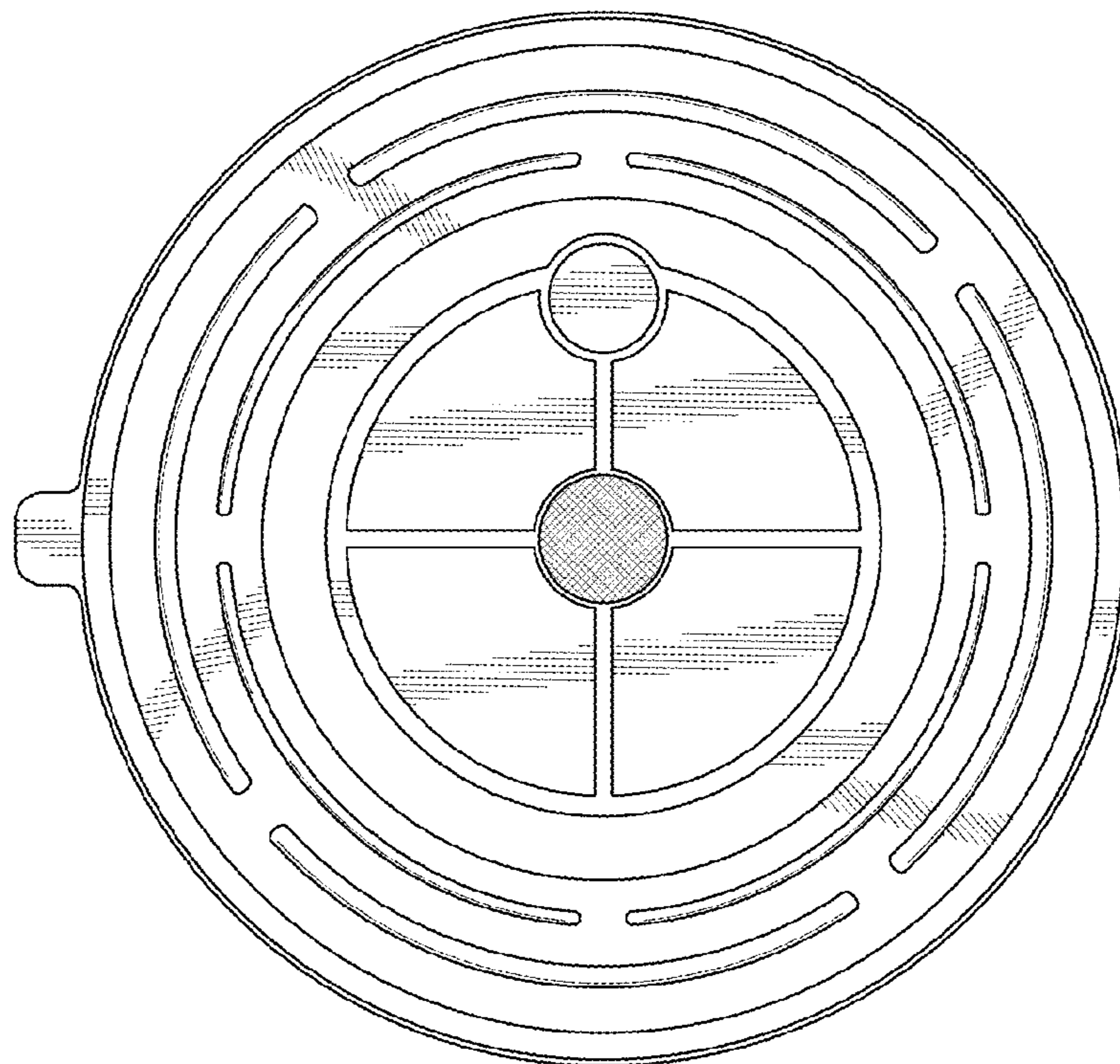


FIG. 8