



US00D805870S

(12) **United States Design Patent** (10) **Patent No.:** **US D805,870 S**
Kinskey (45) **Date of Patent:** **** Dec. 26, 2017**

(54) **BIT HOLDER**

(71) Applicant: **L.F. Centennial Ltd.**, Road Town, Tortola (VG)

(72) Inventor: **Terrence P. Kinskey**, Alpharetta, GA (US)

(73) Assignee: **L.F. CENTENNIAL LTD.**, Road Town, Tortola (VG)

(**) Term: **15 Years**

(21) Appl. No.: **29/558,103**

(22) Filed: **Mar. 15, 2016**

(51) **LOC (10) Cl.** **08-05**

(52) **U.S. Cl.**
USPC **D8/71**

(58) **Field of Classification Search**
USPC D8/71; D3/228, 315, 901; 224/42.42, 224/42.45, 42.46; 206/349, 379
CPC . B25B 23/0035; B25B 23/12; B25B 23/0028; B25B 23/1405; B25B 15/001; B25B 15/02; B25B 15/002; B25B 15/008; B25B 21/007
See application file for complete search history.

(56) **References Cited**

U.S. PATENT DOCUMENTS

4,294,421 A * 10/1981 Kunstlicher A47G 21/14 206/349
D313,889 S * 1/1991 Gakhar D3/228
D320,124 S * 9/1991 Gakhar D6/553
(Continued)

OTHER PUBLICATIONS

Hammerhead Impact Bit with Bit Grip, posted at homedepot.com, posting date not given, [online], [site visited Jan. 5, 2017]. Available from Internet, <URL: <http://www.homedepot.com/p/HAMMERHEADImpactBitwithBitGrip6PieceHAIB06/207143647>>.*

Primary Examiner — Caron D Veynar

Assistant Examiner — Maria Edwards

(74) *Attorney, Agent, or Firm* — Duane Morris LLP; J. Rodman Steele, Jr.; Gregory M. Lefkowitz

(57) **CLAIM**

The ornamental design for a bit holder, as shown and described.

DESCRIPTION

FIG. 1 is a front, perspective view in accordance with a new bit holder design;

FIG. 2 is a front view of the design of FIG. 1;

FIG. 3 is a back view of the design of FIG. 1;

FIG. 4 is a top view of the design of FIG. 1;

FIG. 5 is a bottom view of the design of FIG. 1;

FIG. 6 is a right side view of the design of FIG. 1, where the left side view is a mirror image of FIG. 6;

FIG. 7 is a front, perspective view of a second embodiment of the design of FIG. 1;

FIG. 8 is a front view of the design of FIG. 7;

FIG. 9 is a back view of the design of FIG. 7;

FIG. 10 is a top view of the design of FIG. 7;

FIG. 11 is a bottom view of the design of FIG. 7;

FIG. 12 is a right side view of the design of FIG. 7, where the left side view is a mirror image of FIG. 12;

FIG. 13 is a front, perspective view of a third embodiment of the design of FIG. 1;

FIG. 14 is a front view of the design of FIG. 13;

FIG. 15 is a back view of the design of FIG. 13;

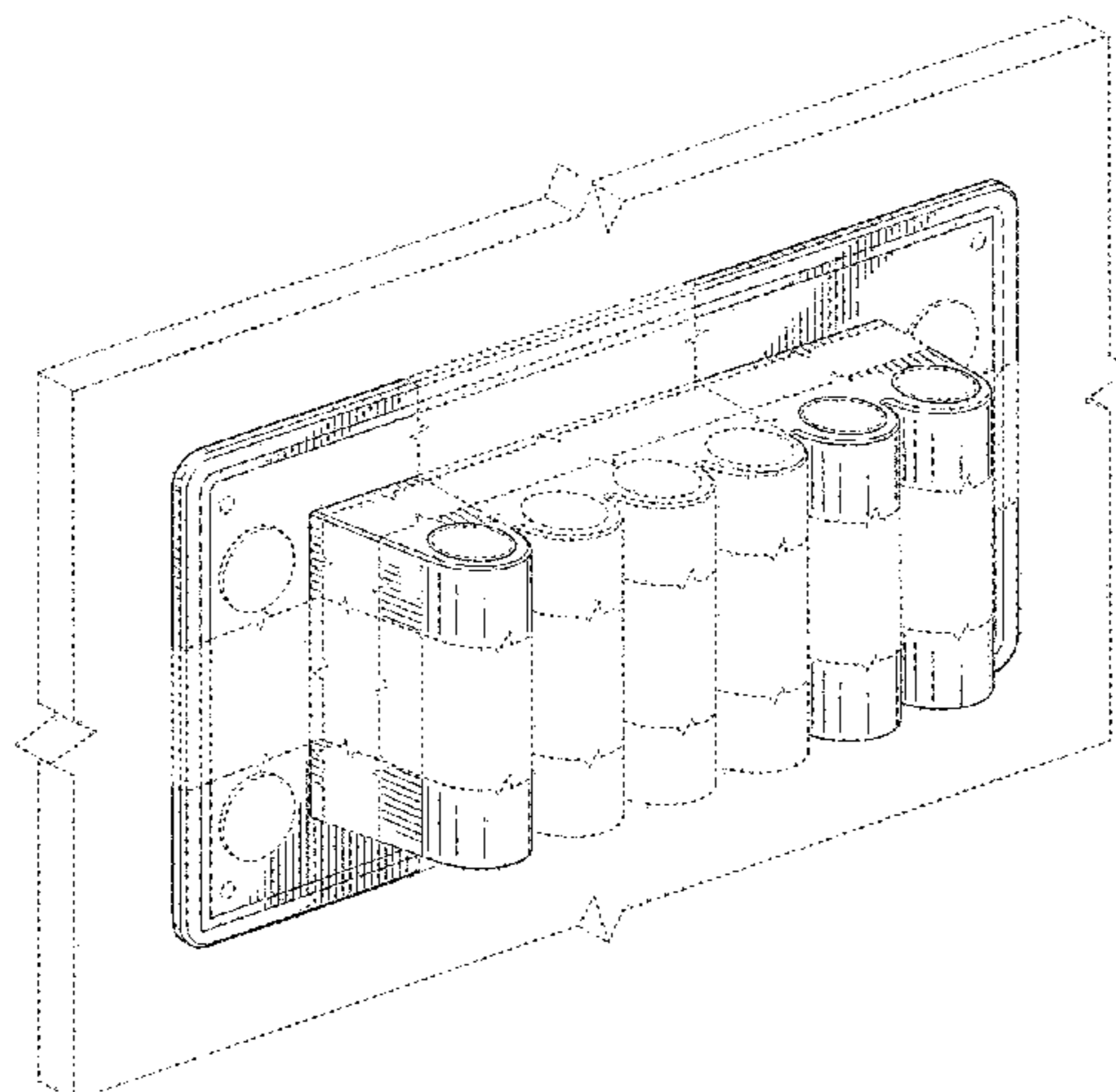
FIG. 16 is a top view of the design of FIG. 13;

FIG. 17 is a bottom view of the design of FIG. 13; and,

FIG. 18 is a right side view of the design of FIG. 13, where the left side view is a mirror image of FIG. 18.

The broken lines depict environment and portions of the article and form no part of the claimed design. The portions of the article shown broken away with broken, zig-zag, cut-off lines in FIGS. 1-9 and FIGS. 13-15 indicate that any portion of the article beyond what is shown forms no part of the claimed design.

1 Claim, 15 Drawing Sheets



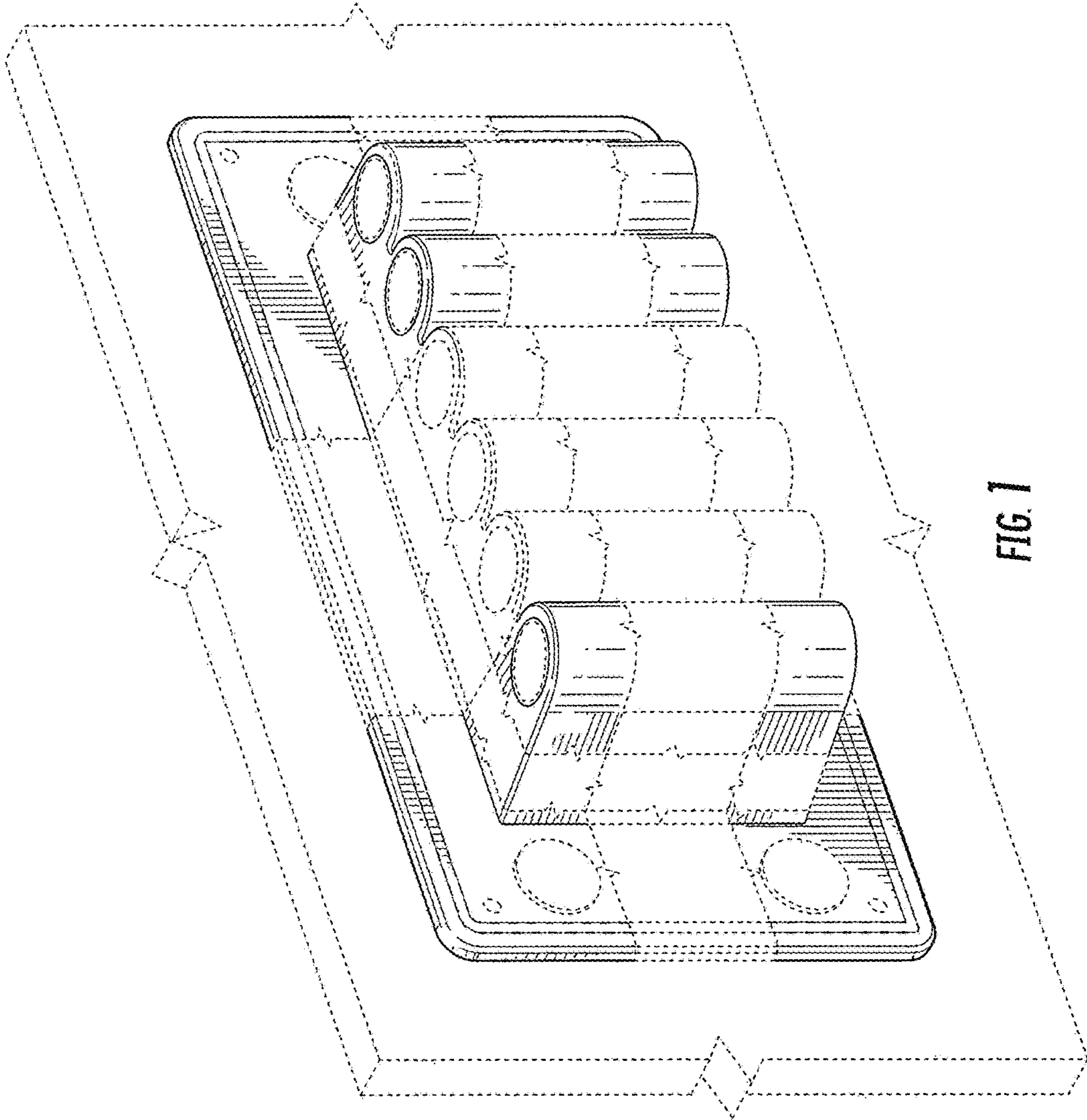
(56)

References Cited

U.S. PATENT DOCUMENTS

5,188,242 A * 2/1993 Smith B25F 5/029
 206/379
 D357,455 S * 4/1995 Gomes D3/901
 D414,210 S * 9/1999 Davis D19/85
 6,047,827 A * 4/2000 Huang B25H 3/003
 206/349
 6,508,360 B1 * 1/2003 Chen B25H 3/003
 206/349
 6,910,578 B2 * 6/2005 Stern B25H 3/003
 206/350
 D512,562 S * 12/2005 Tsuda D3/228
 D515,897 S * 2/2006 Greene D8/71
 D527,903 S * 9/2006 Chan D3/315
 7,314,142 B2 * 1/2008 Lyman, Jr. B43M 99/006
 206/214
 D664,357 S * 7/2012 Kinskey D3/315
 D664,769 S * 8/2012 Kinskey D3/315
 8,708,143 B2 * 4/2014 Liu B25H 3/02
 206/372
 D709,749 S * 7/2014 Leonard D8/71
 2005/0211587 A1 * 9/2005 Chen B25H 3/003
 206/379
 2005/0241974 A1 * 11/2005 Chen B25H 3/003
 206/379
 2014/0262877 A1 * 9/2014 Chen B25H 3/003
 206/349

* cited by examiner



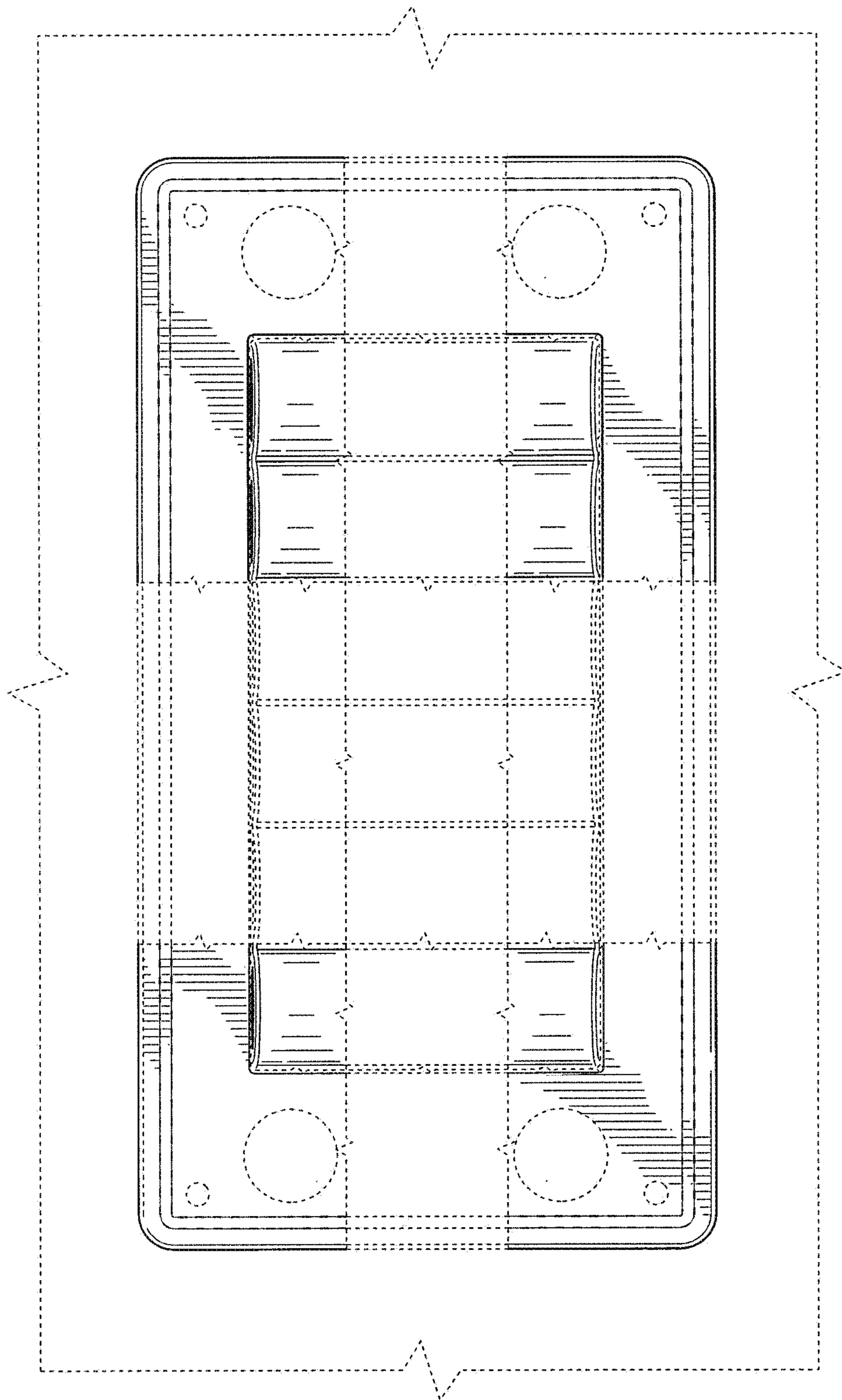


FIG. 2

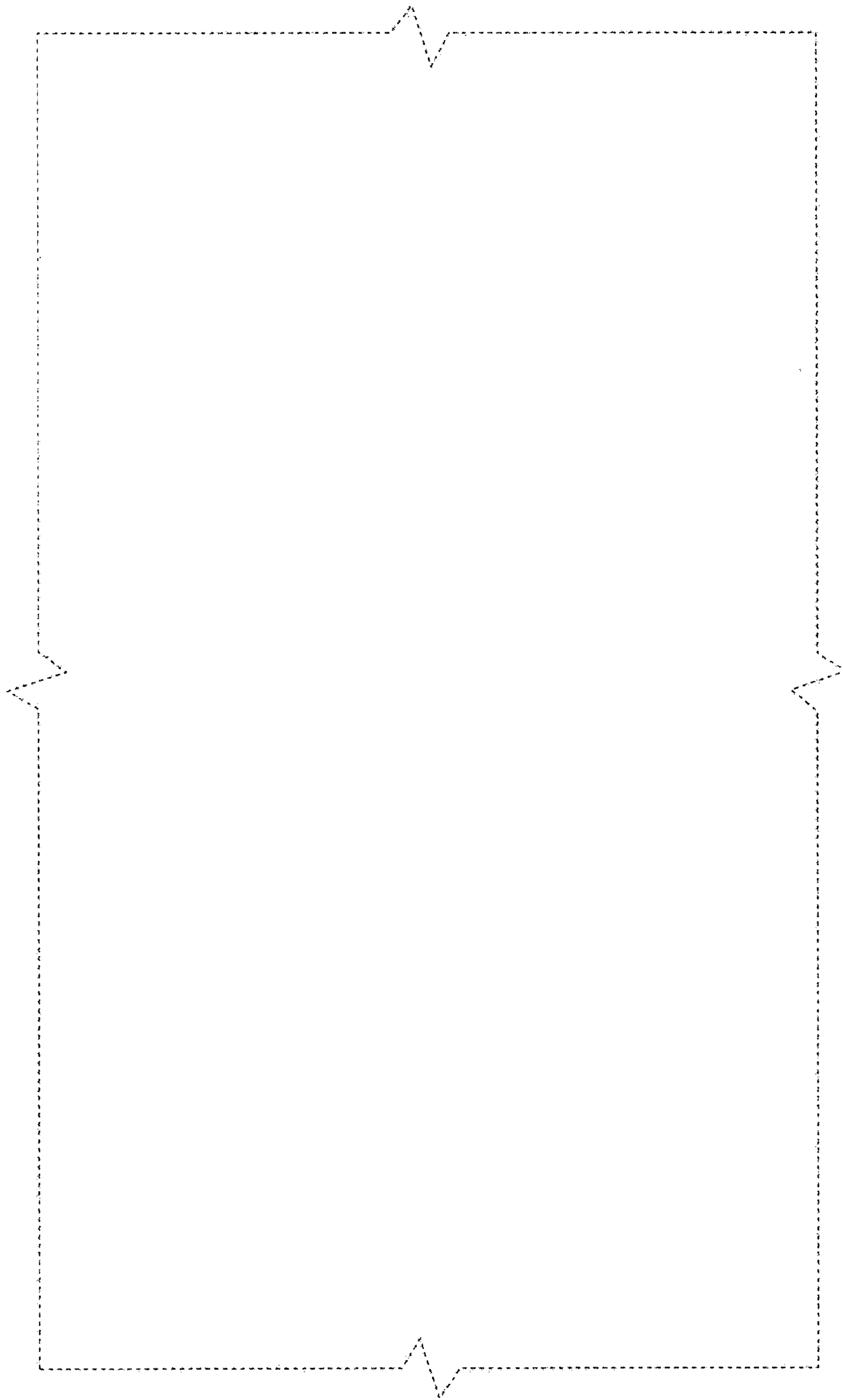


FIG. 3

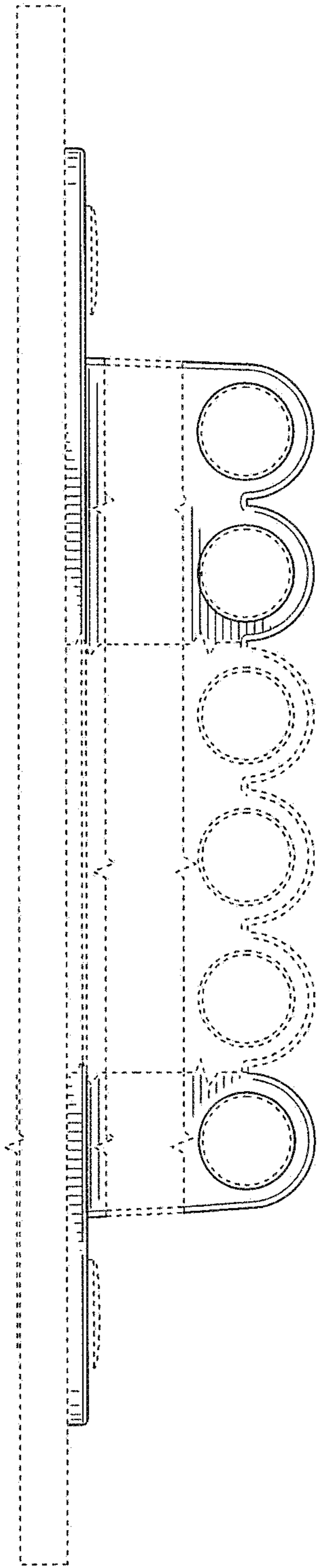


FIG. 4

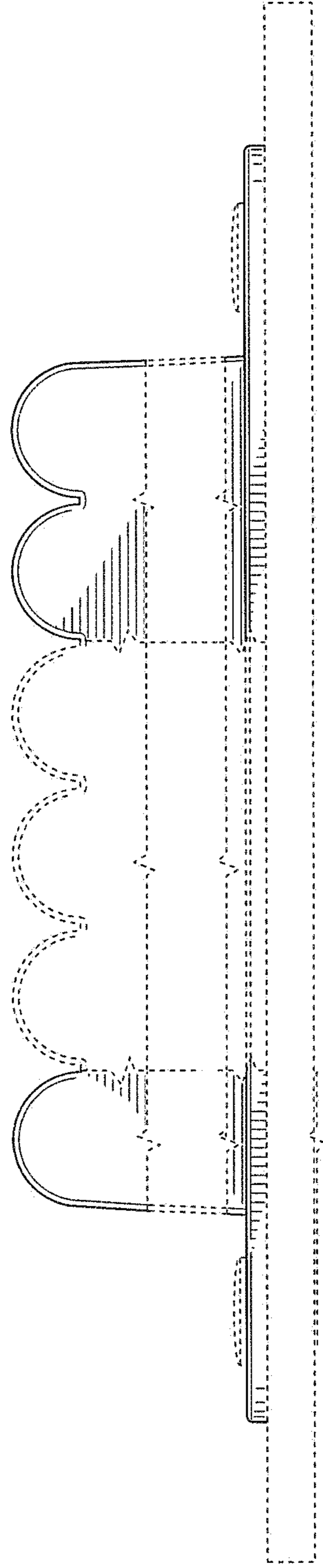


FIG. 5

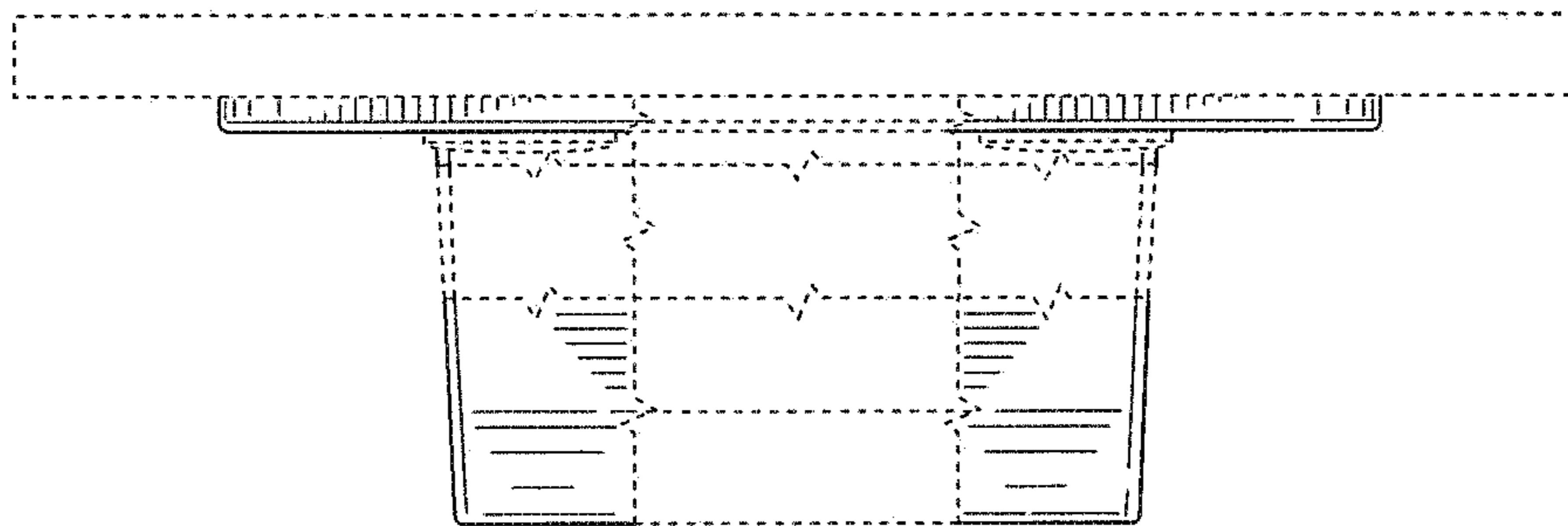


FIG. 6

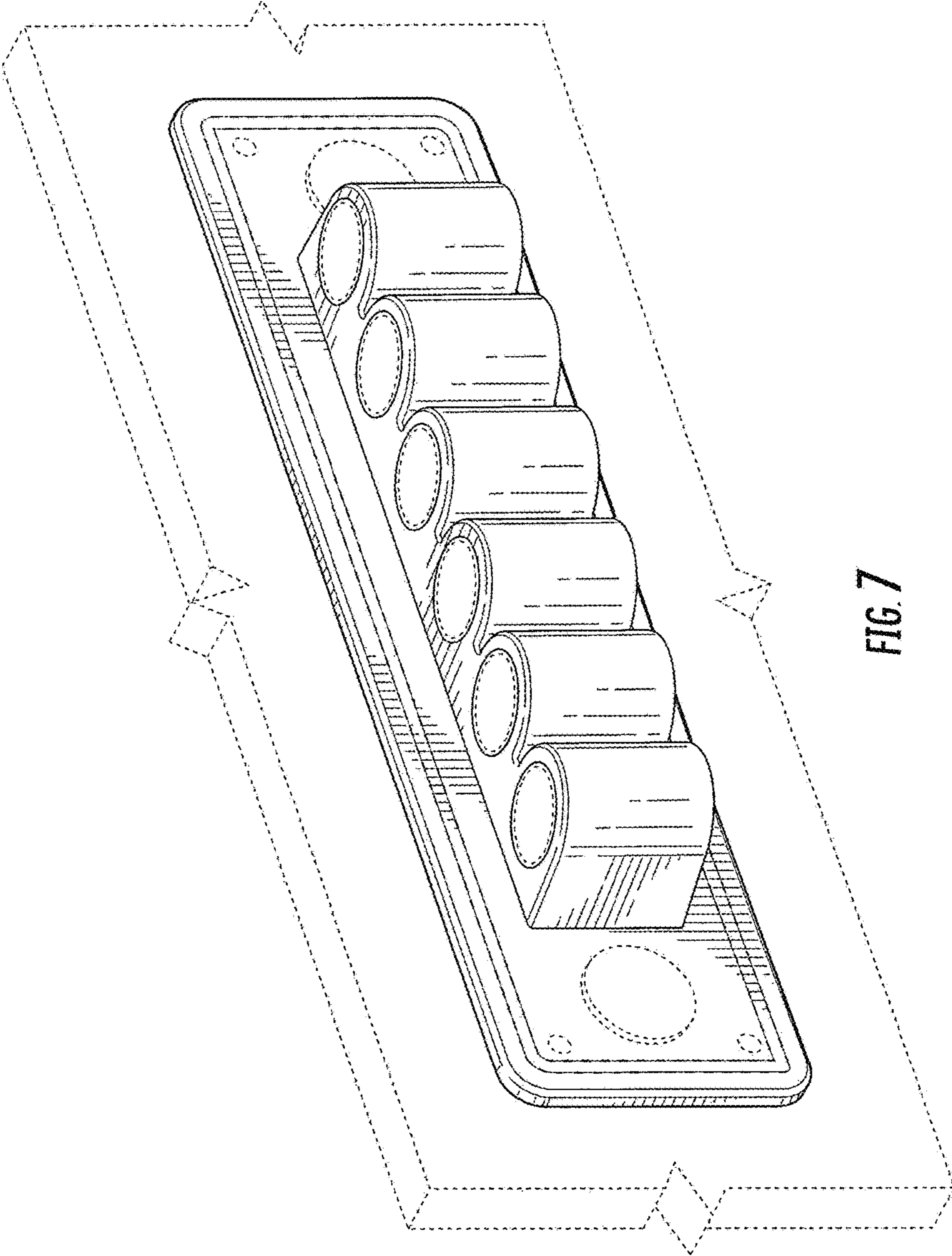


FIG. 7

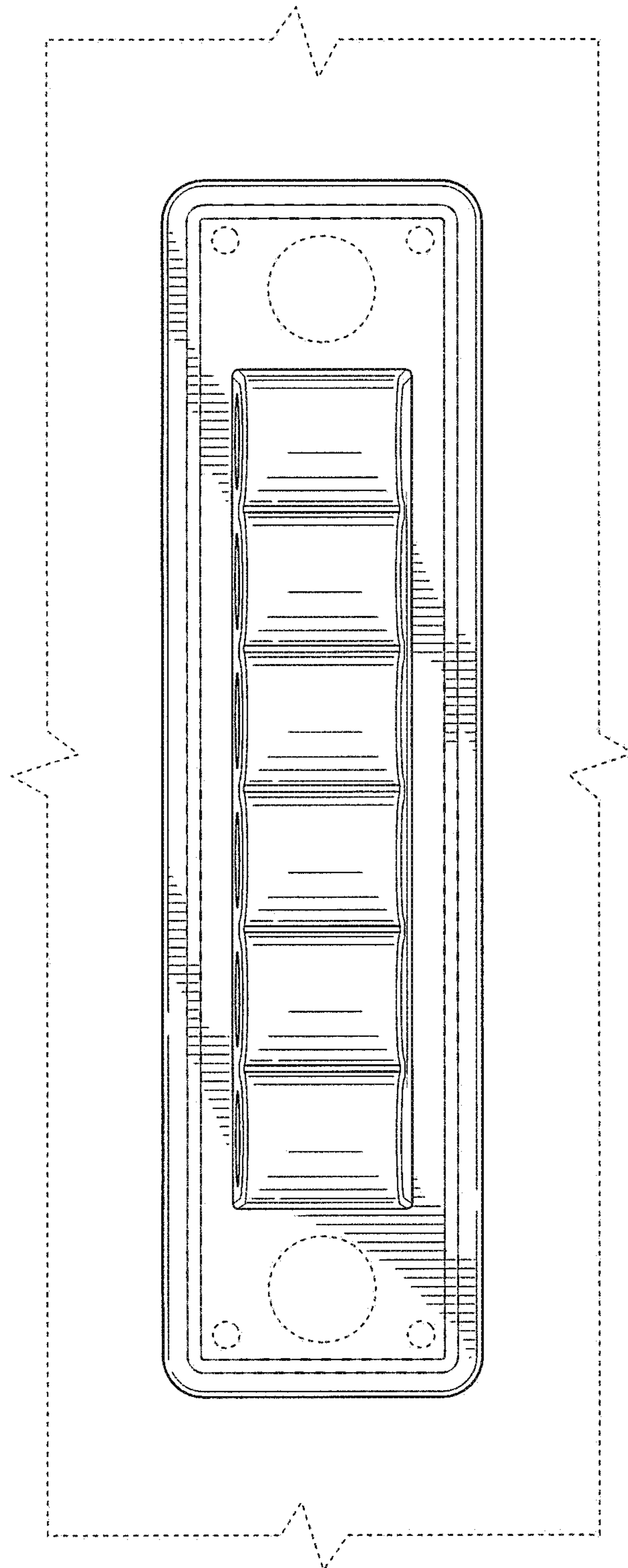


FIG. 8

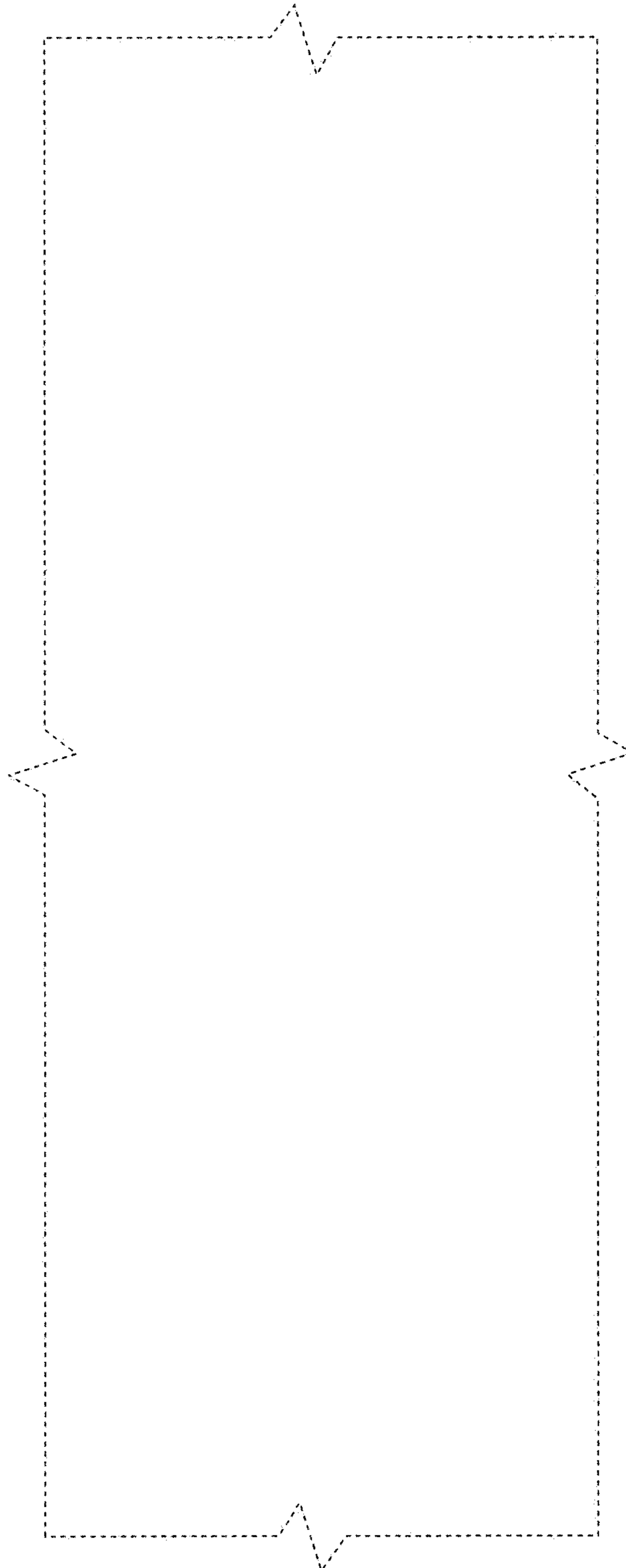


FIG. 9

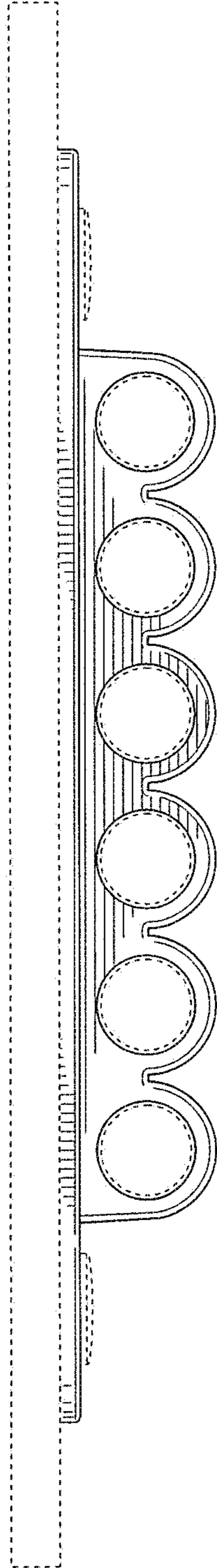


FIG. 10

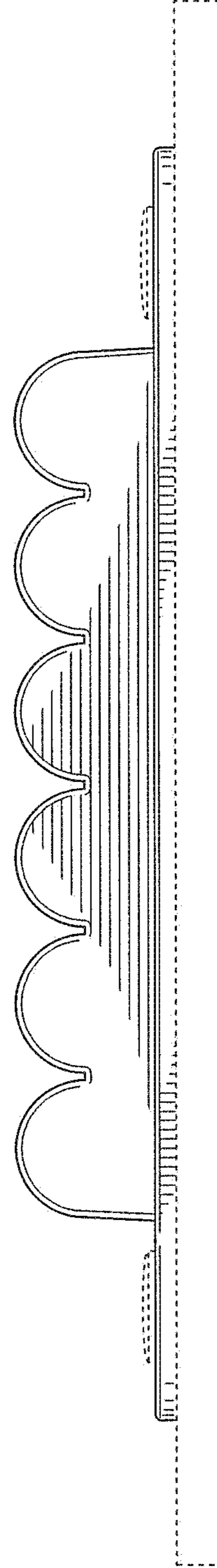


FIG. 11

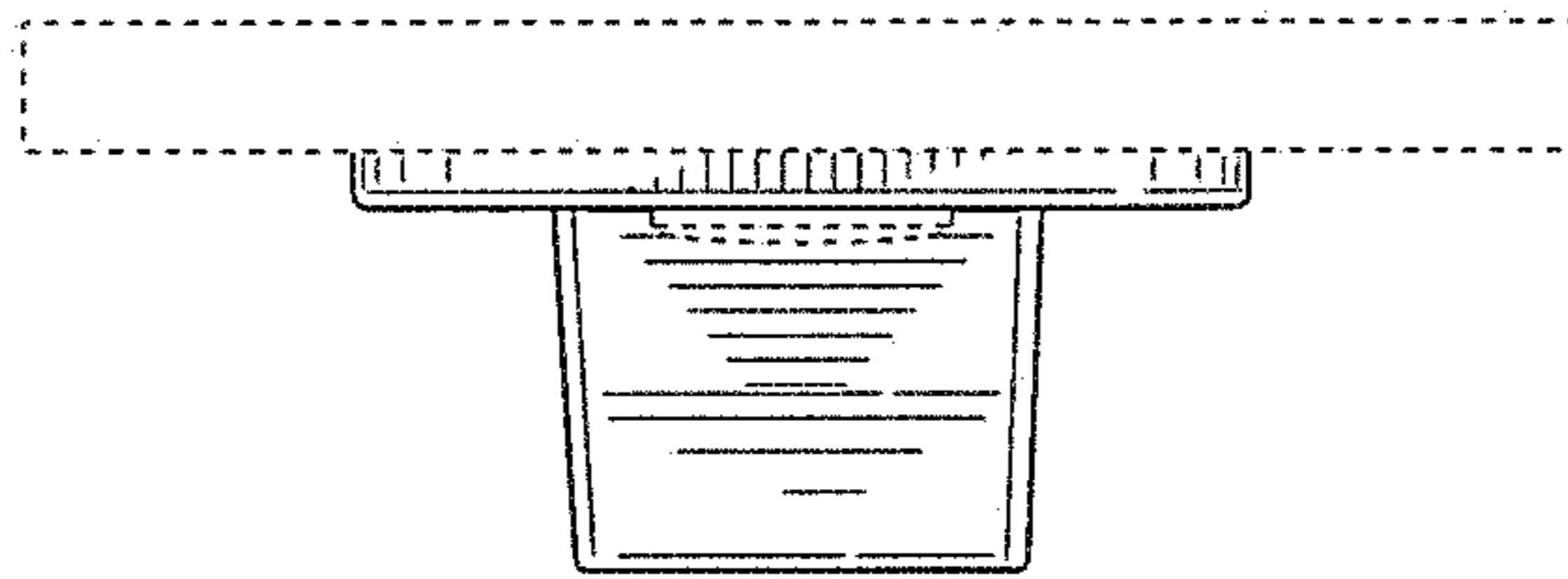


FIG. 12

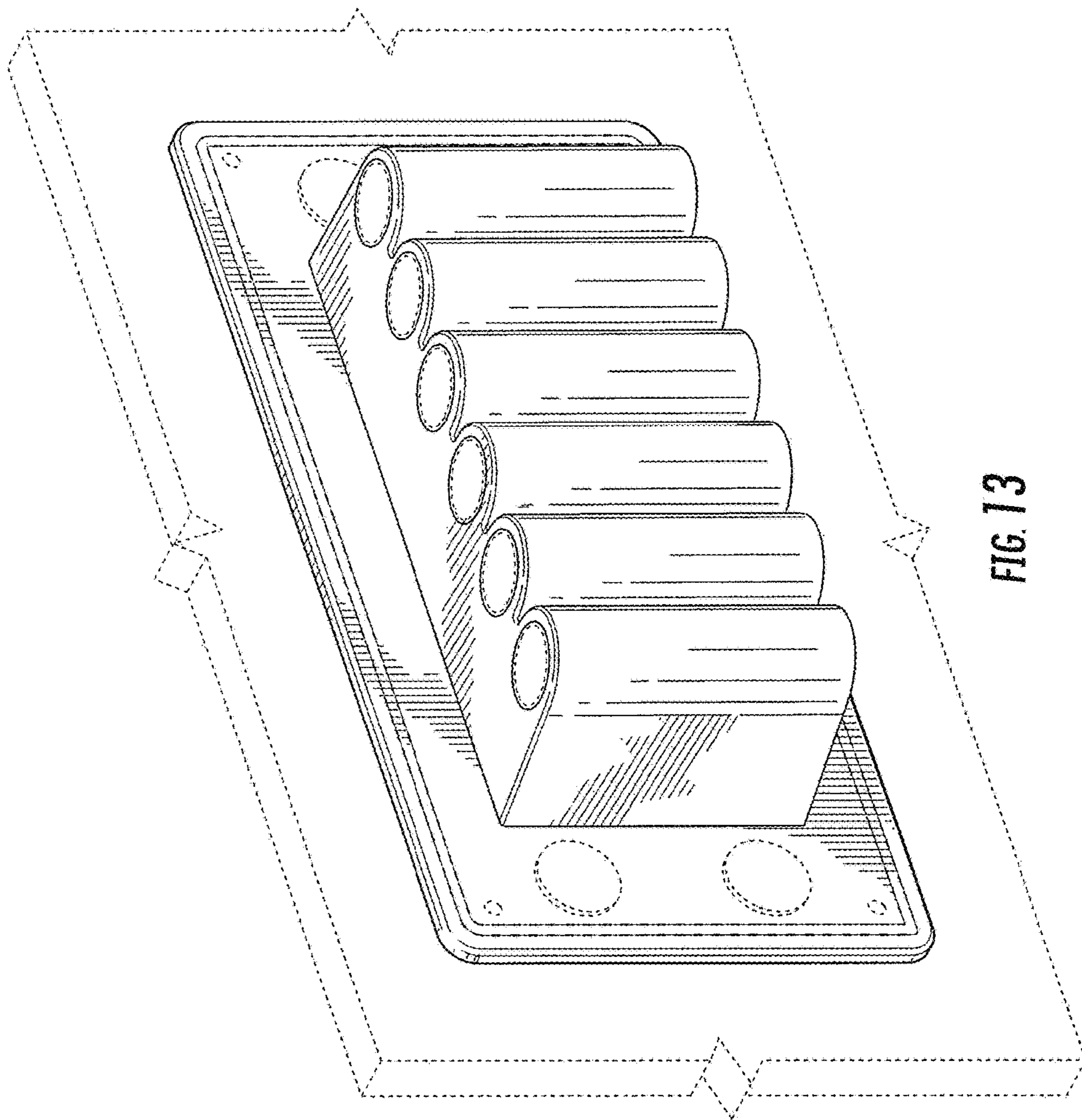


FIG. 13

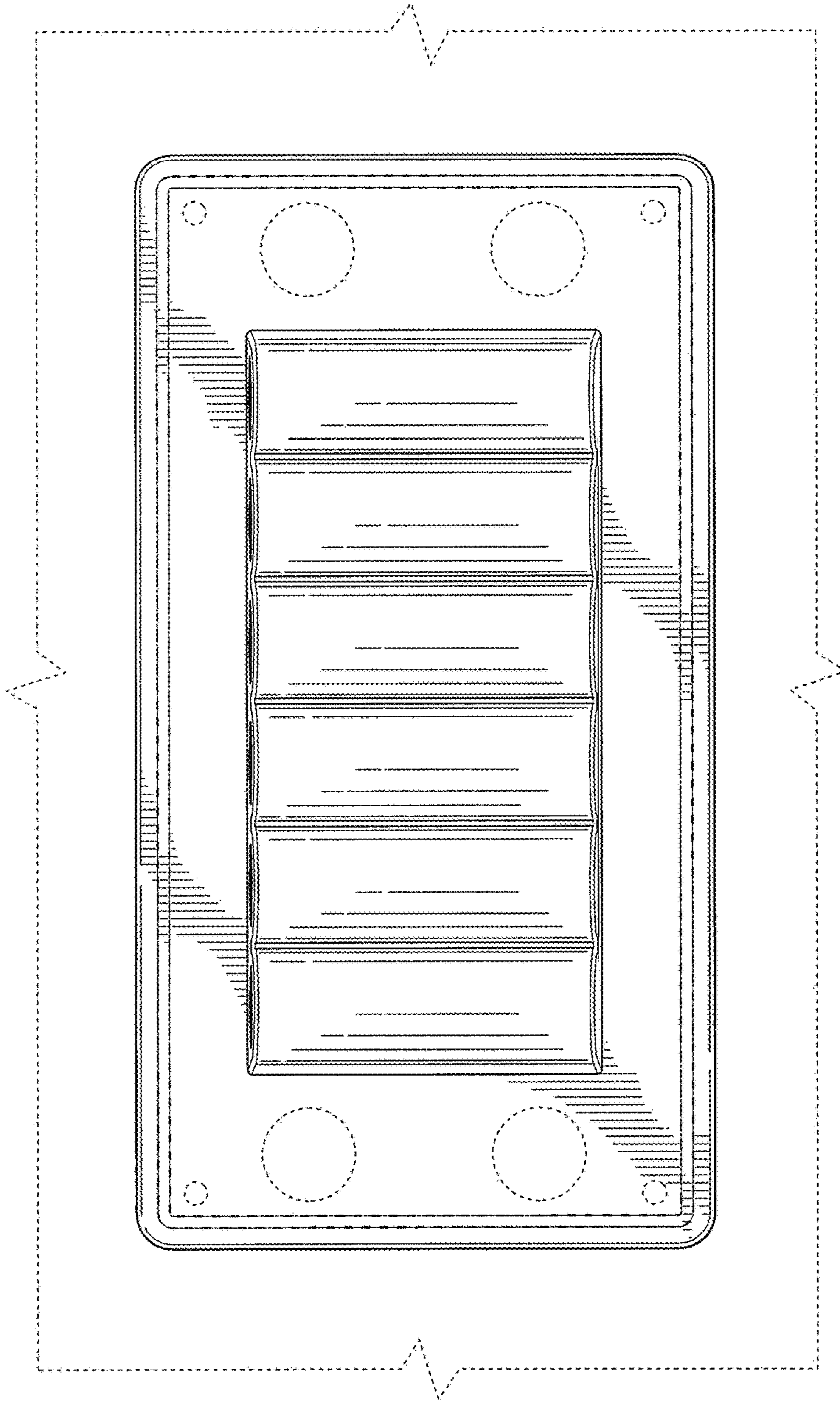


FIG. 14

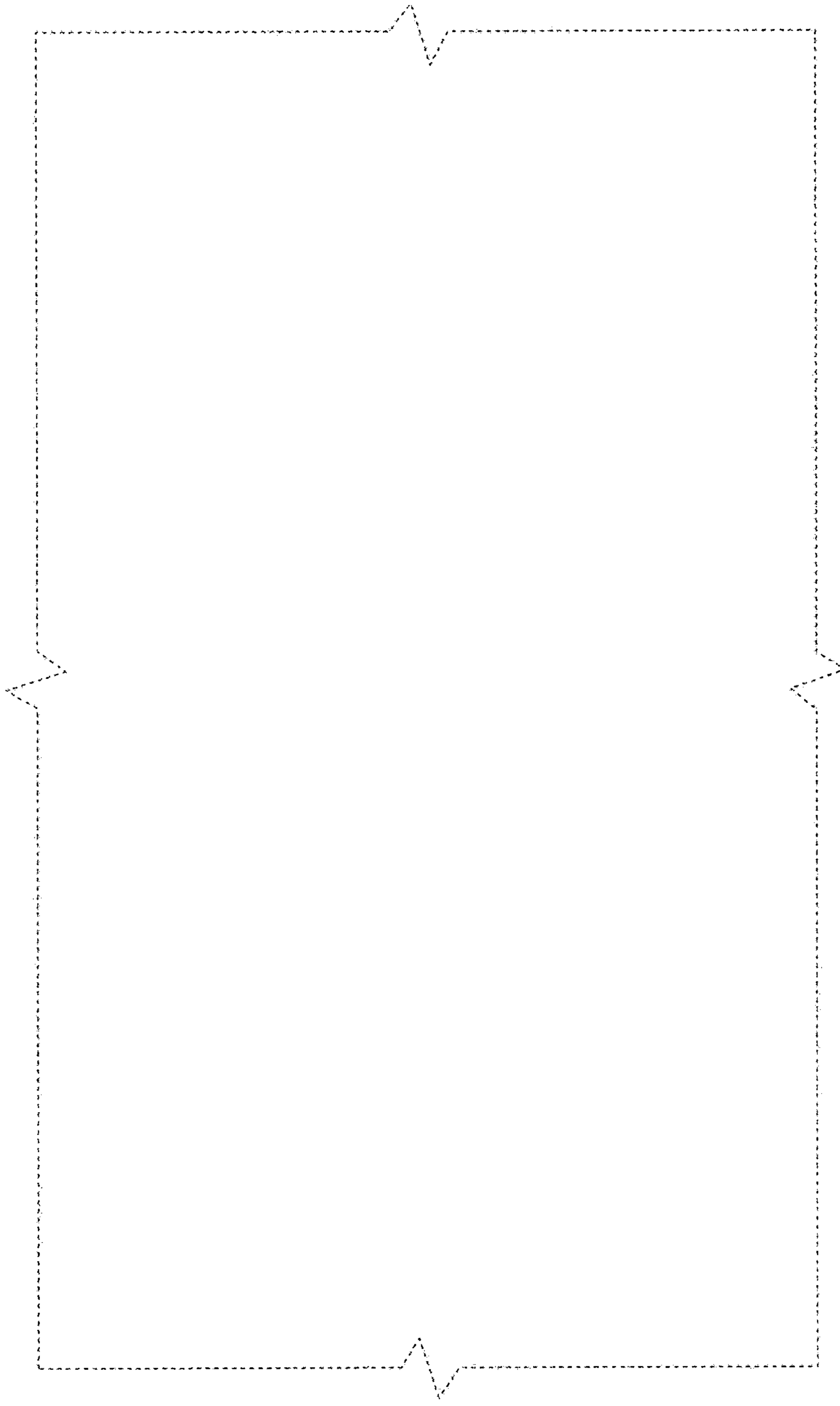


FIG. 15

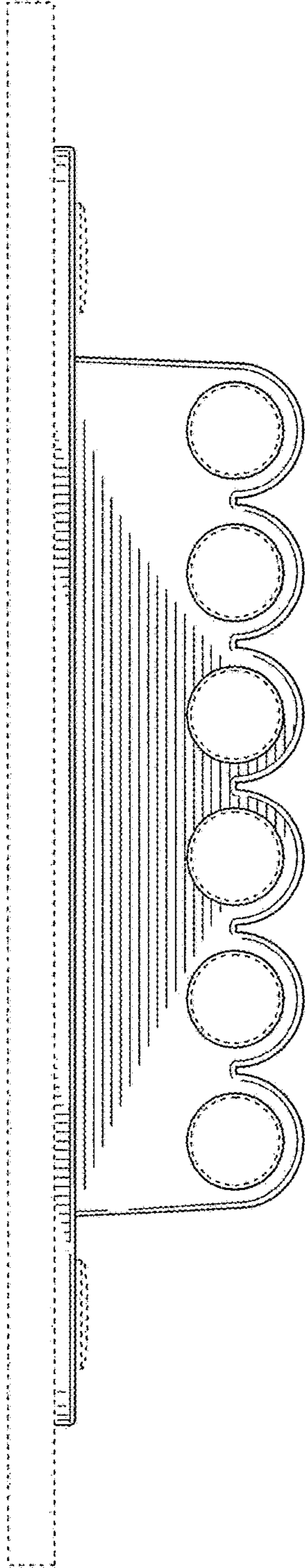


FIG. 16

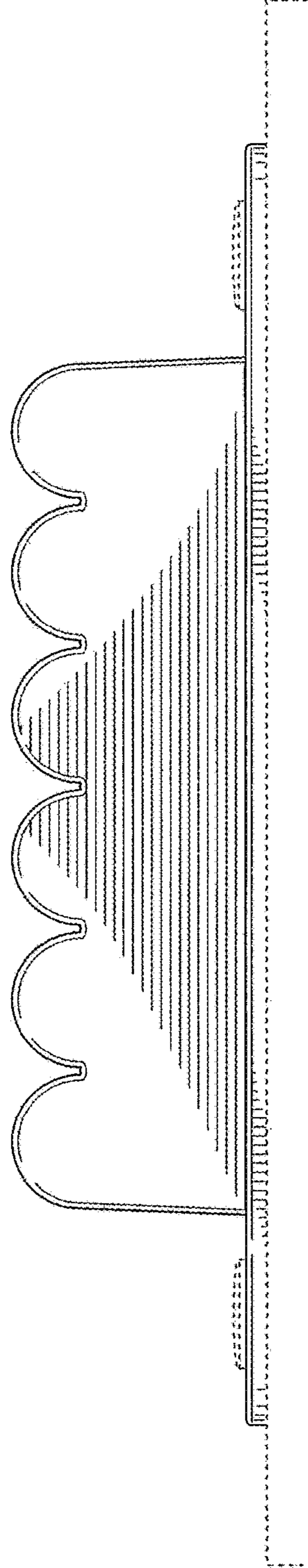


FIG. 17

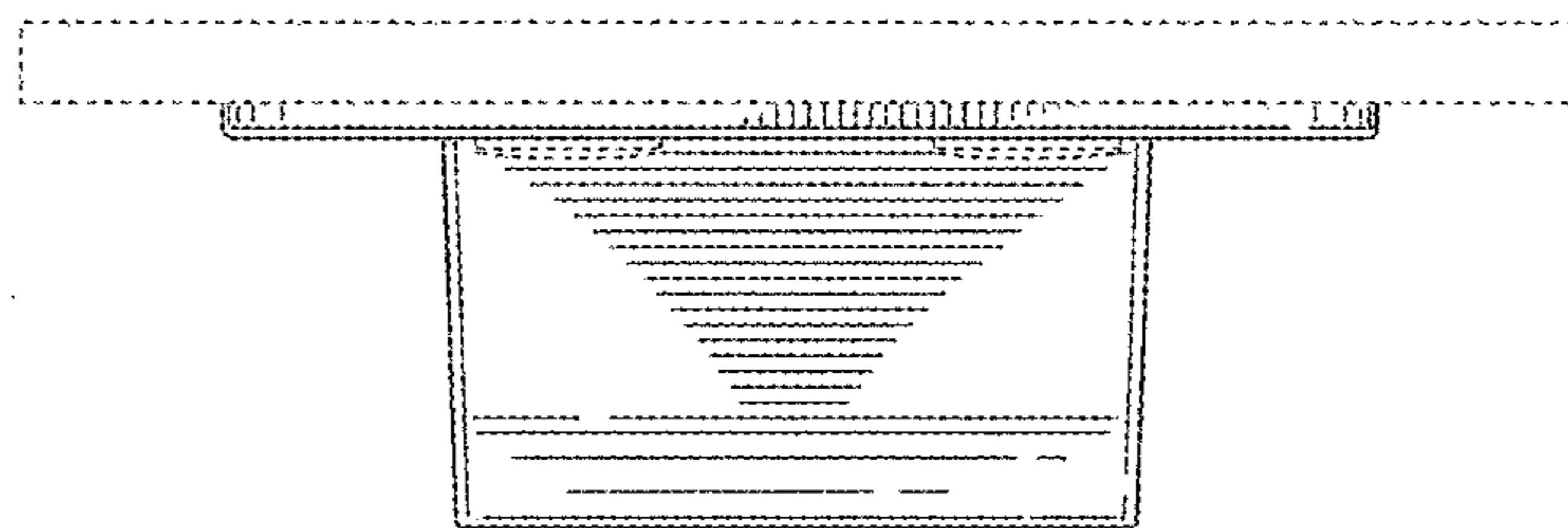


FIG. 18