



US00D805869S

(12) **United States Design Patent** (10) **Patent No.:** **US D805,869 S**
Baxter et al. (45) **Date of Patent:** **** Dec. 26, 2017**

- (54) **CHAINSAW**
- (71) Applicant: **BLACK & DECKER INC.**, New Britain, CT (US)
- (72) Inventors: **Mark Baxter**, Newcastle Upon Tyne (GB); **Martin Harnett**, Stockton on Tees (GB)
- (73) Assignee: **BLACK & DECKER INC.**, New Britain, CT (US)
- (**) Term: **15 Years**
- (21) Appl. No.: **29/568,656**
- (22) Filed: **Jun. 20, 2016**
- (51) **LOC (10) Cl.** **08-03**
- (52) **U.S. Cl.**
USPC **D8/65**
- (58) **Field of Classification Search**
USPC D8/1, 7, 8, 9, 499, 61, 64, 65, 69;
D15/1, 17
CPC B27B 17/00; B27B 17/08; B27B 17/0008;
B25F 5/02; Y10T 83/9324; A01D 34/01;
A01D 34/416; A01D 34/4161; A01D
34/84; A01D 34/90; A01G 3/06; A01G
3/053; A01G 3/067; A01G 3/0535; A01G
3/00; A01G 3/062
See application file for complete search history.

- D348,192 S * 6/1994 Griffin D8/65
- D364,326 S * 11/1995 Lohse D8/65
- D412,652 S * 8/1999 Durr D8/65
- D615,836 S * 5/2010 Kosugi D8/65
- D641,603 S * 7/2011 Tinius D8/65
- D645,315 S * 9/2011 Tinius D8/65
- D767,962 S * 10/2016 Schoch D8/65

* cited by examiner

Primary Examiner — Sandra Snapp
Assistant Examiner — Ieisha Price
(74) *Attorney, Agent, or Firm* — John Yun

(57) **CLAIM**

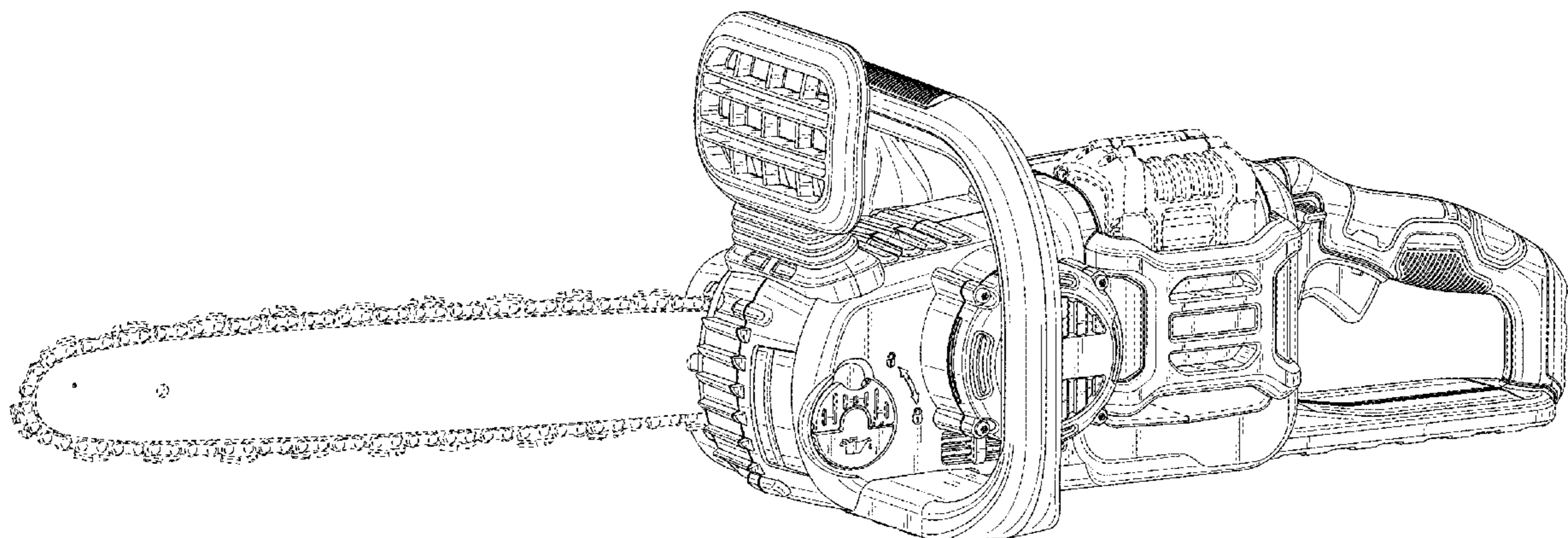
The ornamental design for a chainsaw, as shown and described.

DESCRIPTION

FIG. 1 is a left side perspective view of a chainsaw showing our new design;
FIG. 2 is a right side perspective view of a chainsaw showing our new design;
FIG. 3 is a left side view thereof;
FIG. 4 is a right side view thereof;
FIG. 5 is a rear view thereof;
FIG. 6 is a front view thereof;
FIG. 7 is a top plan view thereof; and,
FIG. 8 is a bottom plan view thereof.
The broken line showing of the cutting blade, guide bar and battery illustrates the environment of the claimed design and forms no part thereof. The remaining broken lines in the drawings illustrate portions of the chainsaw and form no part of the claimed design.

- (56) **References Cited**
U.S. PATENT DOCUMENTS
4,602,656 A * 7/1986 Nagashima F02M 37/0017
137/590
D302,931 S * 8/1989 Nakajima D8/65

1 Claim, 7 Drawing Sheets



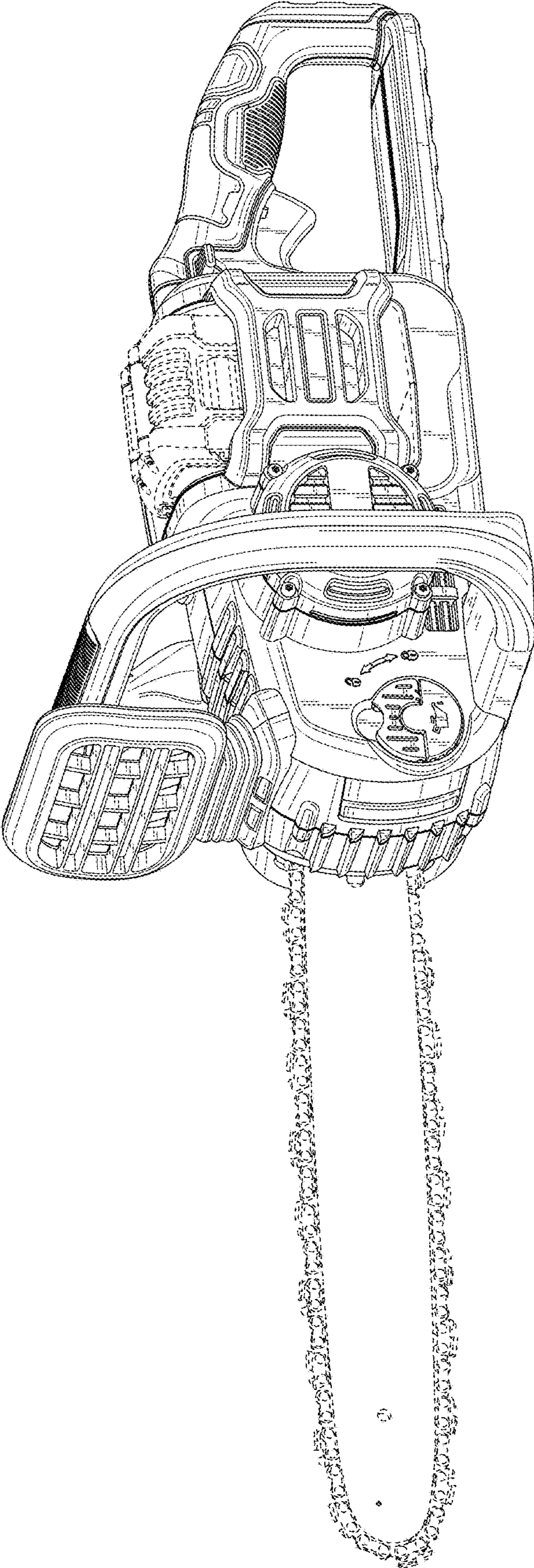


FIG. 1

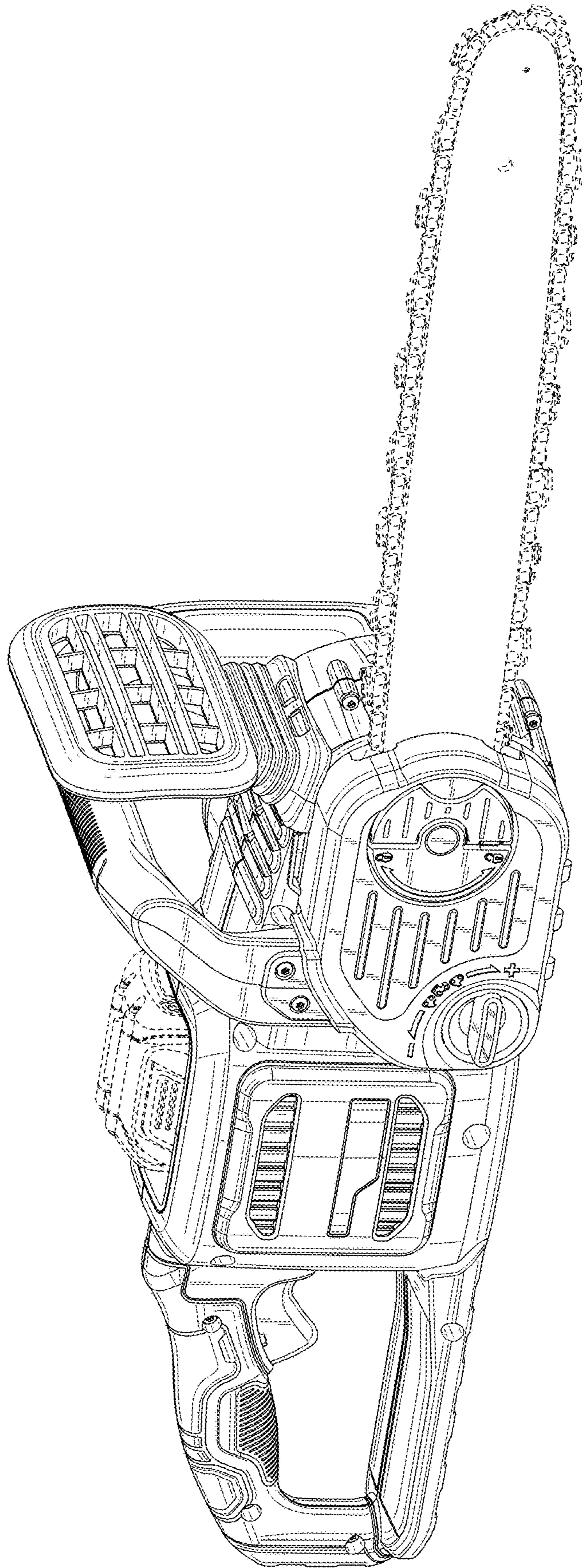


FIG. 2

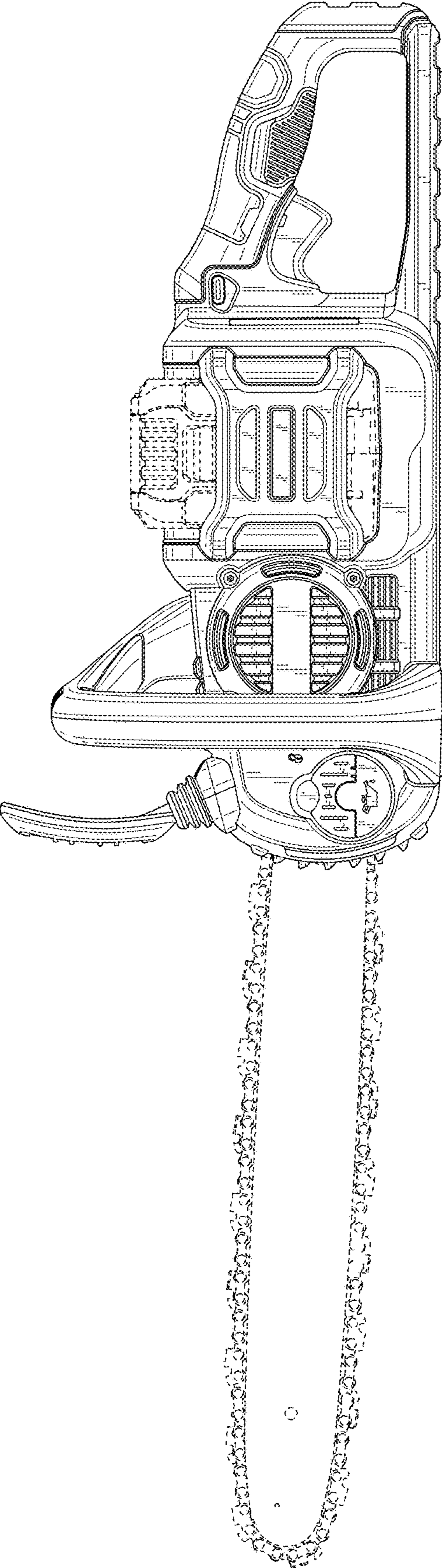


FIG. 3

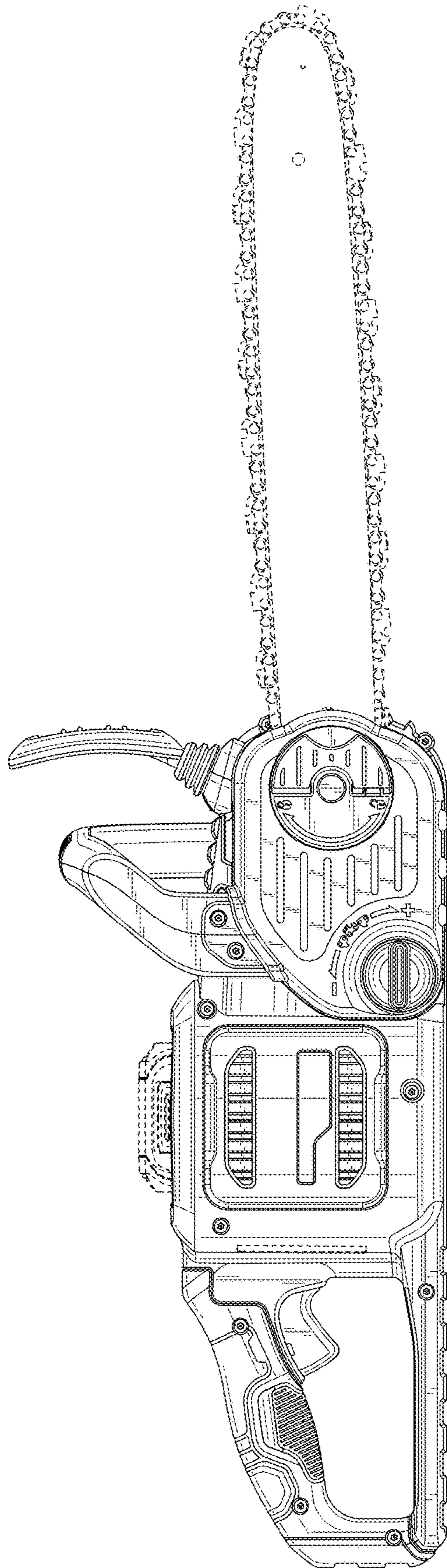


FIG. 4

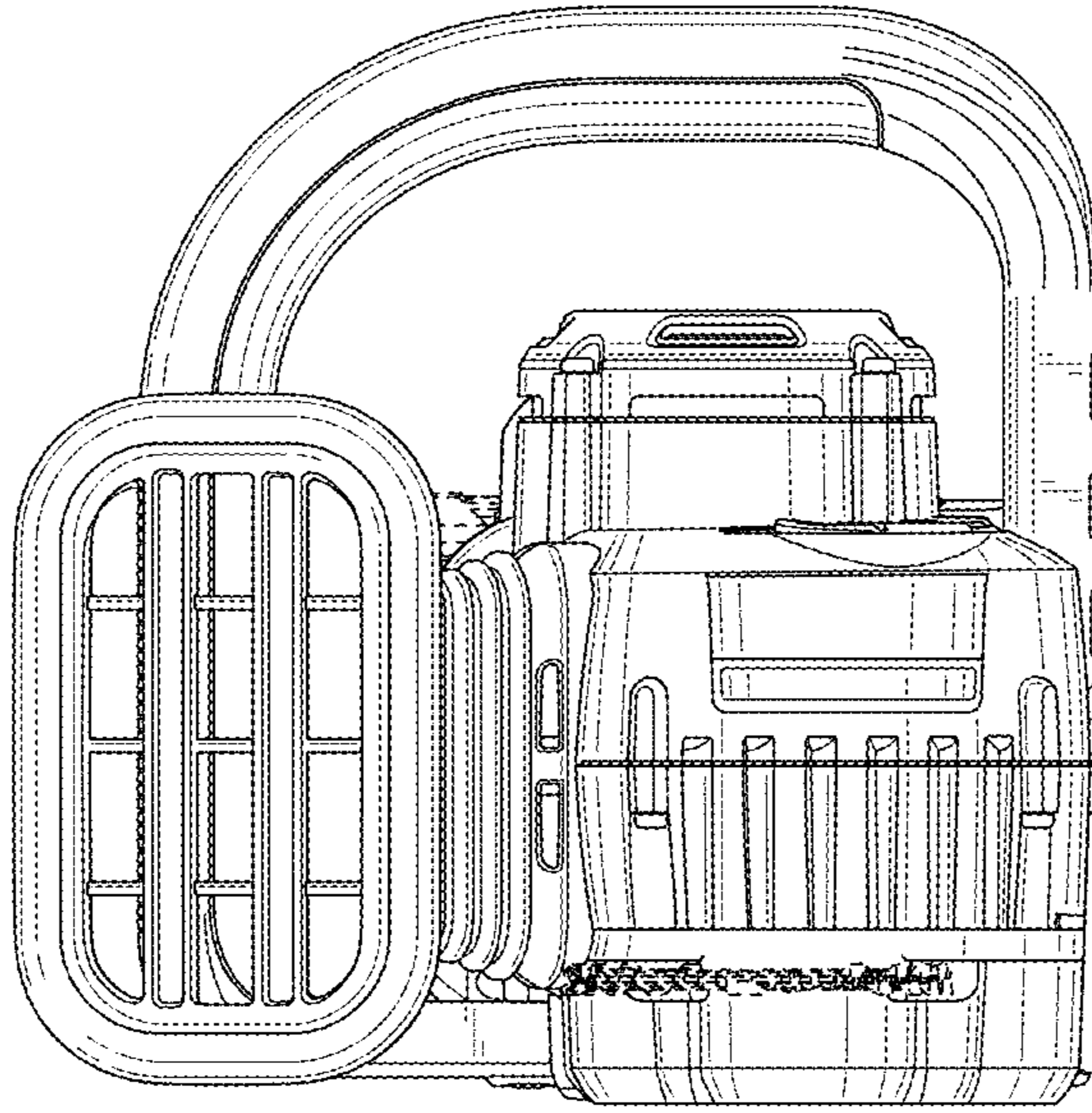


FIG. 6

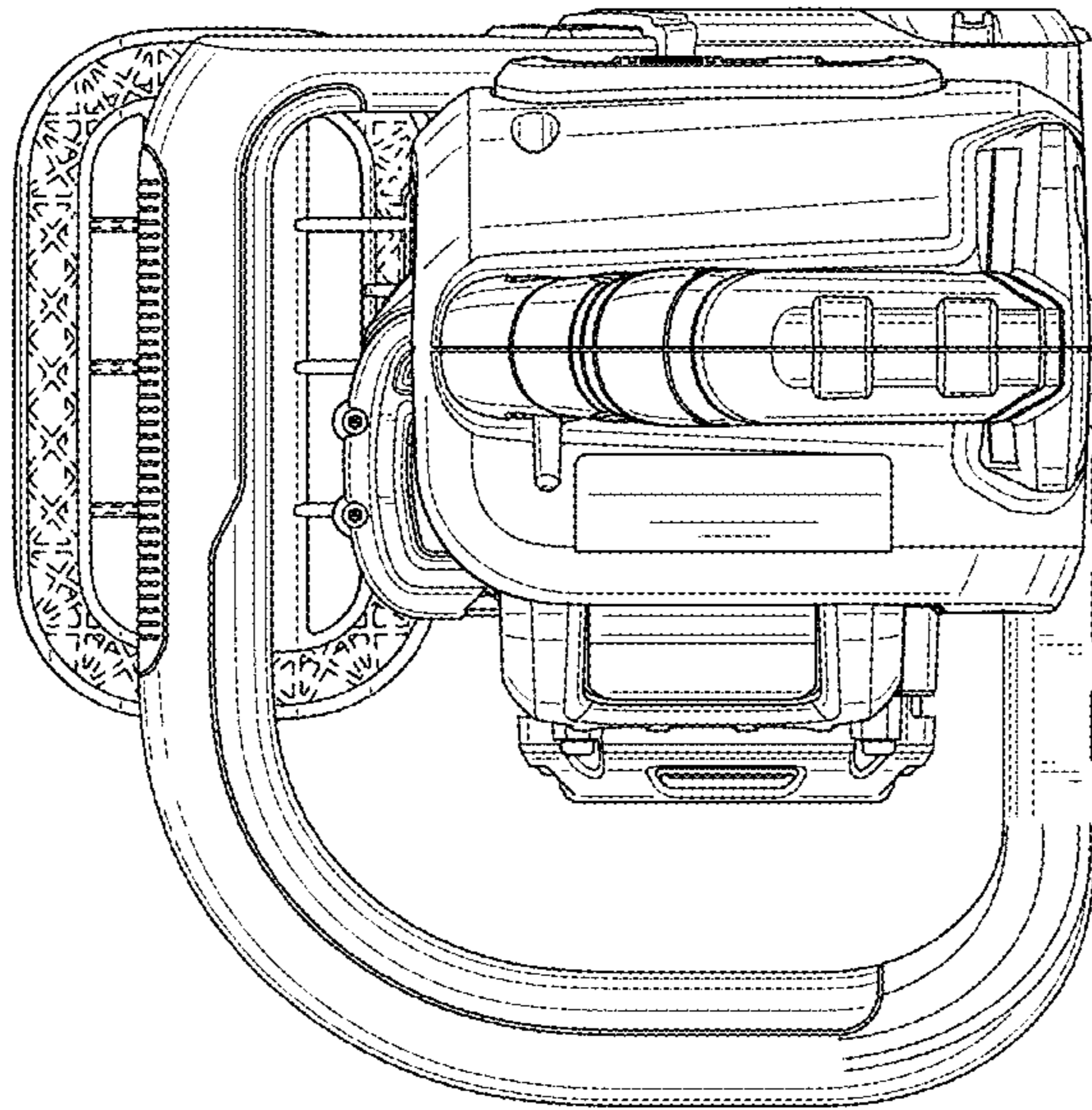


FIG. 5

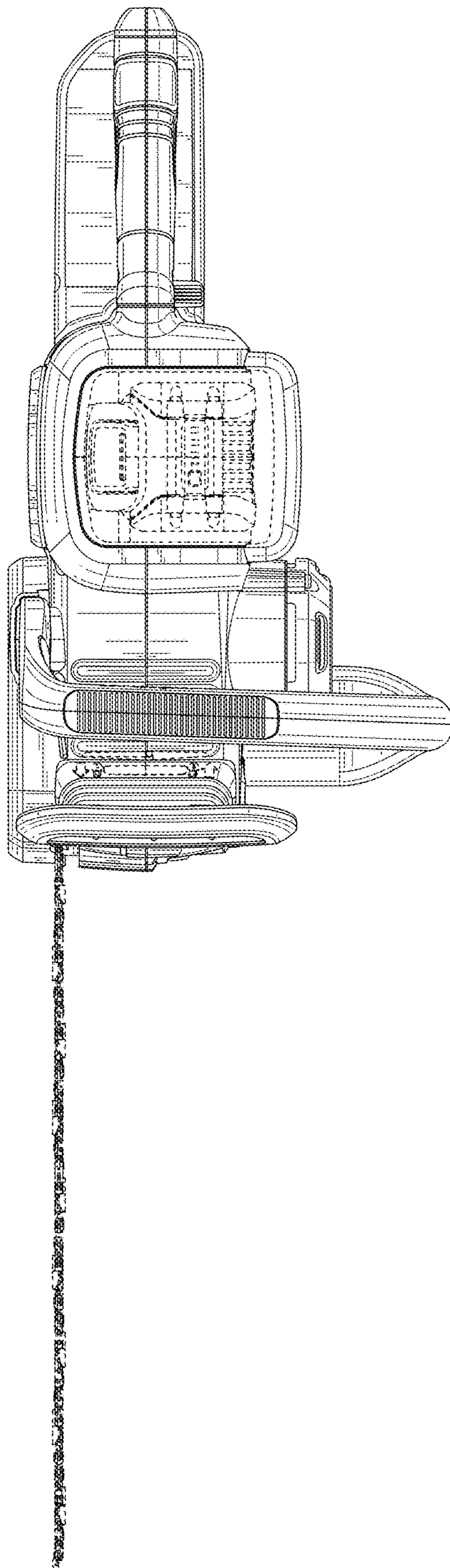


FIG. 7

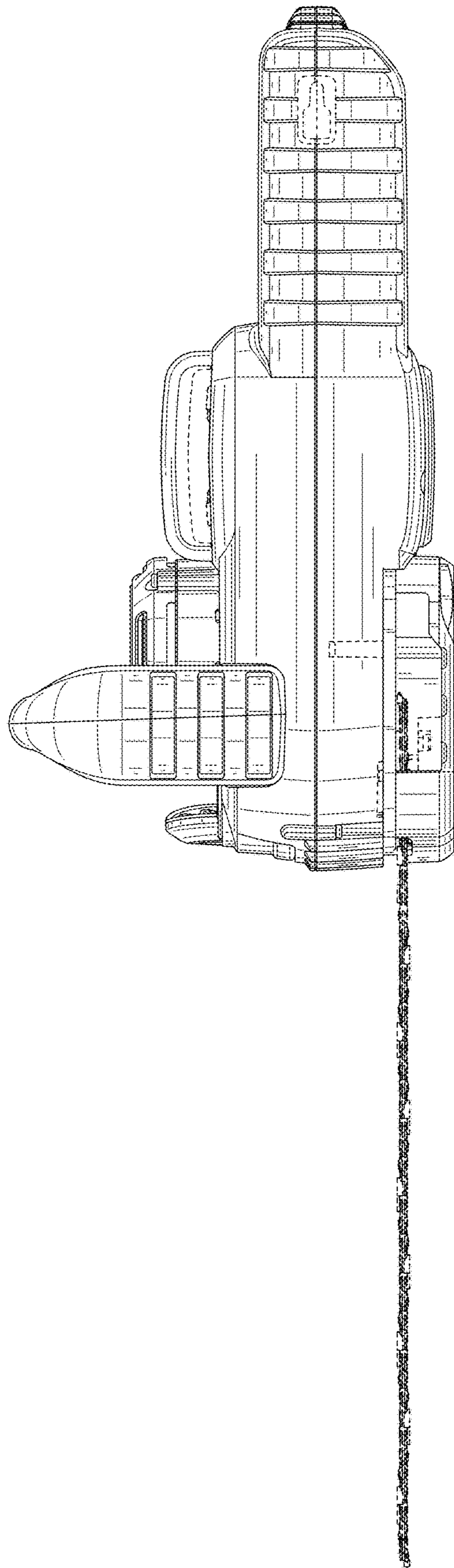


FIG. 8