



US00D805868S

(12) **United States Design Patent** (10) **Patent No.:** **US D805,868 S**  
**Seiders et al.** (45) **Date of Patent:** **\*\* Dec. 26, 2017**

(54) **BOTTLE OPENER**  
(71) Applicant: **YETI Coolers, LLC**, Austin, TX (US)  
(72) Inventors: **Roy Joseph Seiders**, Rollingwood, TX (US); **Steve Charles Nichols**, Austin, TX (US); **Kyle Thomas Miller**, Austin, TX (US)  
(73) Assignee: **YETI Coolers, LLC**, Austin, TX (US)

(\*\*) Term: **15 Years**  
(21) Appl. No.: **29/560,674**

(22) Filed: **Apr. 8, 2016**  
(51) **LOC (10) Cl.** ..... **07-99**  
(52) **U.S. Cl.**  
USPC ..... **D8/40**  
(58) **Field of Classification Search**  
USPC ..... D8/14, 16, 18, 19, 33-43, 98  
CPC .... B67B 7/00; B67B 7/04; B67B 7/14; B67B 7/16; B67B 7/18; B67B 7/20; B67B 7/24; B67B 7/30; B67B 7/34; B67B 7/36; B67B 7/44

See application file for complete search history.

(56) **References Cited**  
U.S. PATENT DOCUMENTS

928,156 A \* 7/1909 Rydquist ..... B67B 7/16 81/3.57  
1,676,648 A \* 7/1928 Hardiman ..... B67B 7/16 81/3.57  
D105,160 S \* 6/1937 Zinkil ..... D23/252  
D245,830 S \* 9/1977 DeGross ..... D8/18  
D250,510 S \* 12/1978 Bujan ..... D8/40  
D255,981 S \* 7/1980 Carbo ..... D8/107  
4,398,314 A \* 8/1983 Converse ..... B67B 7/403 7/151  
4,658,455 A \* 4/1987 Skillern ..... A47L 13/512 248/211  
D292,168 S \* 10/1987 Seltzer ..... 81/3.8

D296,411 S \* 6/1988 Madsen ..... D8/18  
D304,992 S \* 12/1989 Matthies ..... D8/40  
4,967,436 A \* 11/1990 Russell ..... B67B 7/44 7/105  
5,069,090 A \* 12/1991 Clark ..... B67B 7/44 7/105  
D323,967 S \* 2/1992 Talbot ..... D8/98  
D344,551 S \* 2/1994 McJunkin ..... D21/399  
D382,453 S \* 8/1997 Drinkwater ..... D8/18

(Continued)

**OTHER PUBLICATIONS**

You Earned It Bottle Opener [online]. Retrieved on Jun. 8, 2017, Wayback Machine retrieval date from the Internet: Jun. 25, 2014, <<http://web.archive.org/web/20140625154613/www.owenandfred.com/products/you-earned-it-bottle-opener>>.

*Primary Examiner* — Elizabeth Albert  
(74) *Attorney, Agent, or Firm* — Banner & Witcoff, Ltd.

(57) **CLAIM**

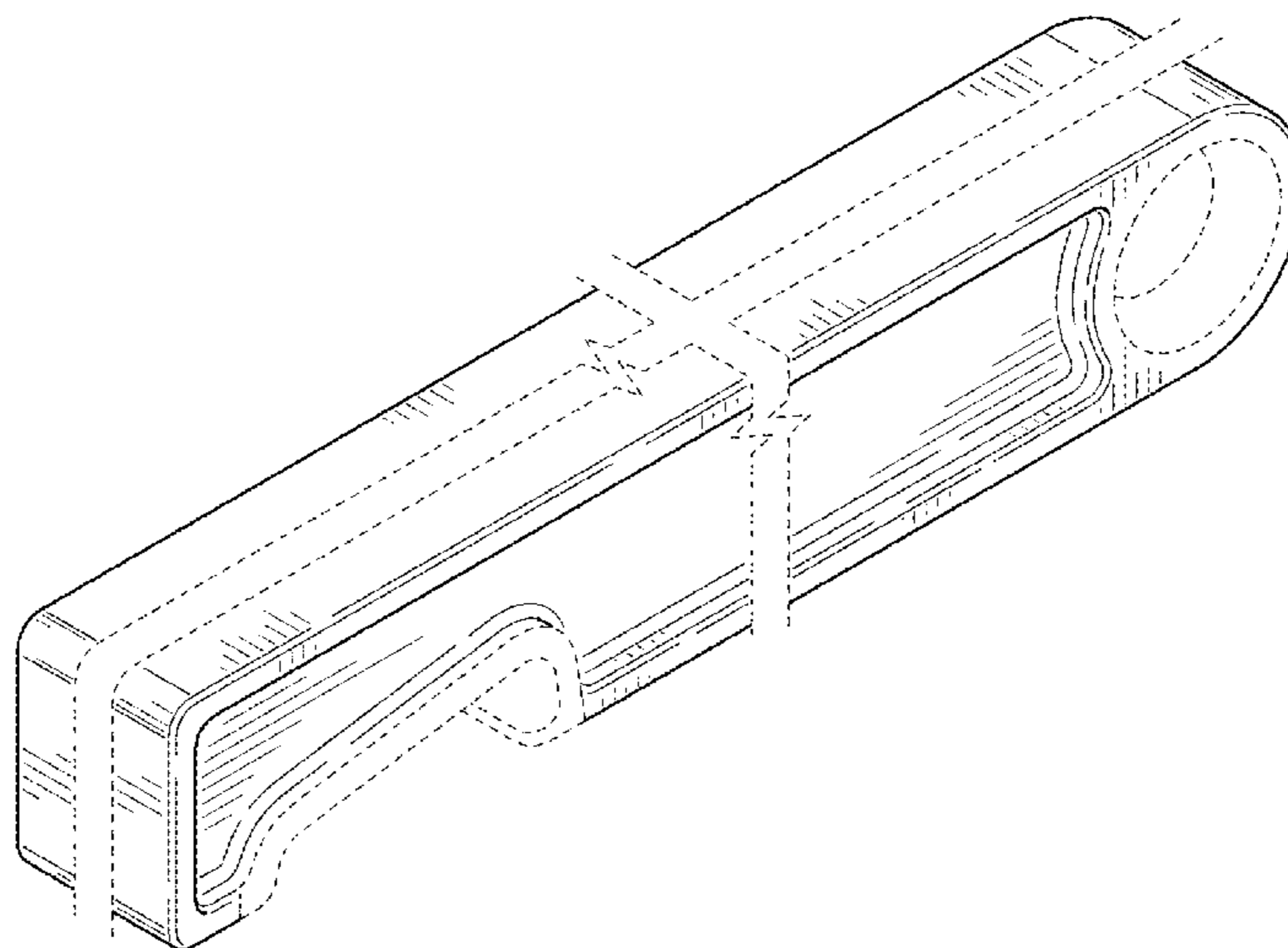
The ornamental design for a bottle opener, as shown and described.

**DESCRIPTION**

FIG. 1 is a top, front, right perspective view of a bottle opener showing our new design; FIG. 2 is a right side view thereof; FIG. 3 is a left side view thereof; FIG. 4 is a rear view thereof; FIG. 5 is a front view thereof; FIG. 6 is a top view thereof; and, FIG. 7 is a bottom view thereof.

The long and short broken lines that define the bounds of the claimed design form no part thereof. The even length broken lines are included to show portions that form no part of the claimed design. The broken away symbols in the drawings indicate that the appearance of any portion of the article between the break lines forms no part of the claimed design.

**1 Claim, 3 Drawing Sheets**



(56)

**References Cited**

U.S. PATENT DOCUMENTS

6,199,452	B1 *	3/2001	Vinar	.....	B67B 7/14	
						81/3.36
D440,132	S *	4/2001	Su	.....	D8/14	
D477,523	S *	7/2003	Malvasio	.....	D8/105	
D501,773	S *	2/2005	Kohn	.....	D8/18	
D571,171	S *	6/2008	Albritton	.....	D8/14	
D575,613	S *	8/2008	Jennings	.....	D8/98	
D713,699	S *	9/2014	Bachman	.....	D8/40	
D714,612	S *	10/2014	Gropl	.....	D8/98	
D721,564	S *	1/2015	Purnomohadi	.....	D8/98	
D735,542	S *	8/2015	Nelson	.....	D8/14	
D737,645	S *	9/2015	Jordan	.....	D8/40	
2011/0185858	A1 *	8/2011	Luo	.....	B67B 7/44	
						81/3.09

\* cited by examiner

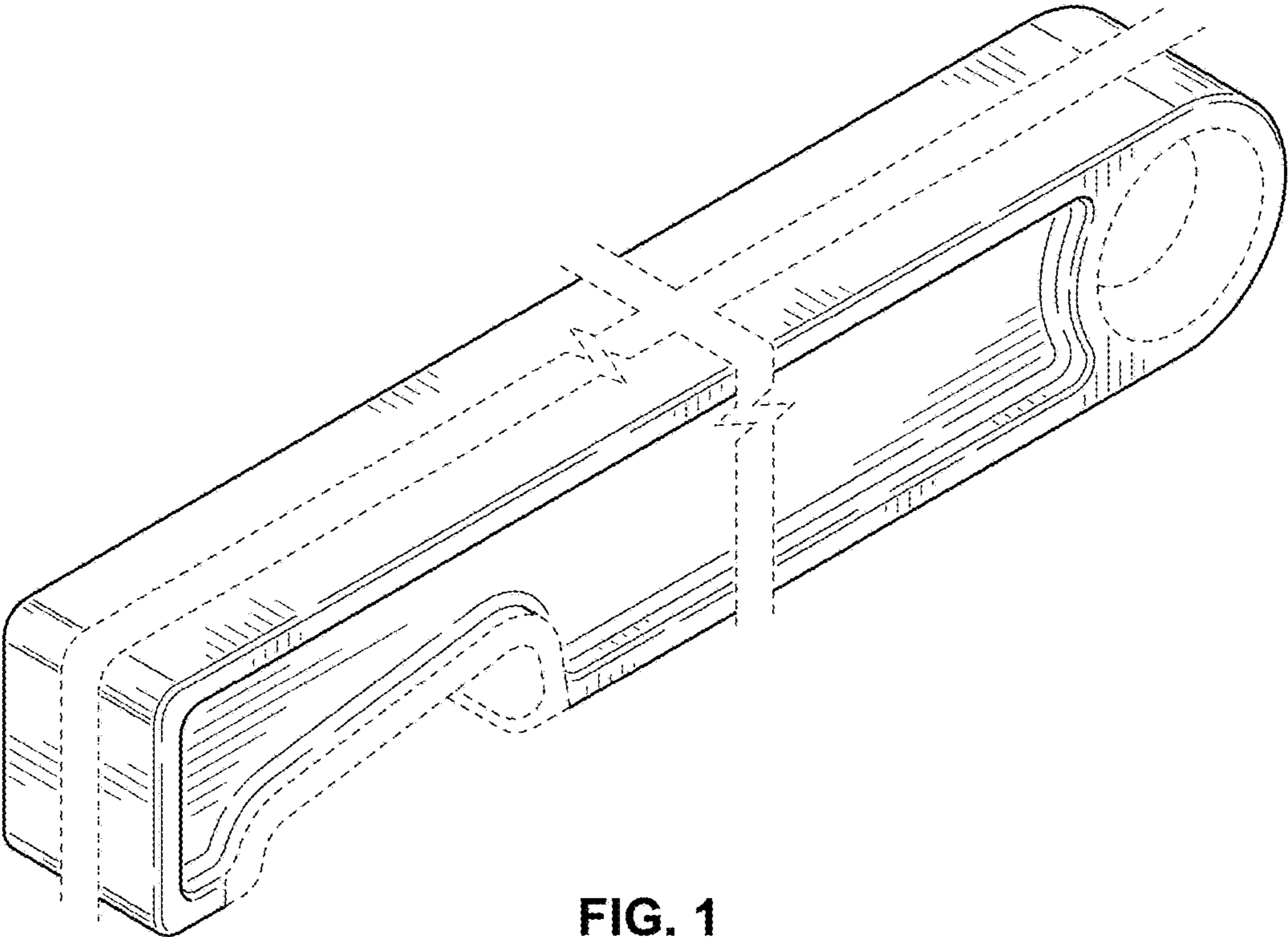


FIG. 1

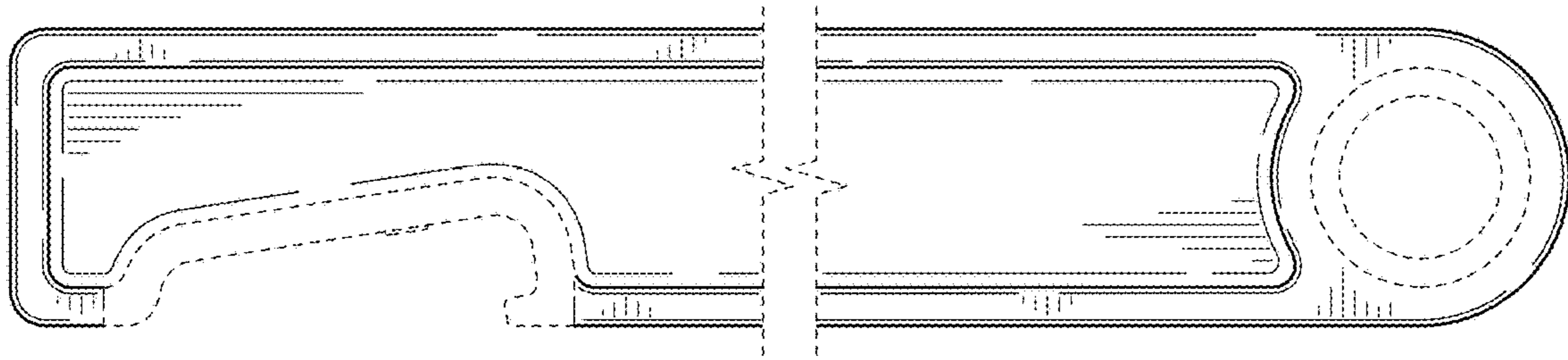


FIG. 2

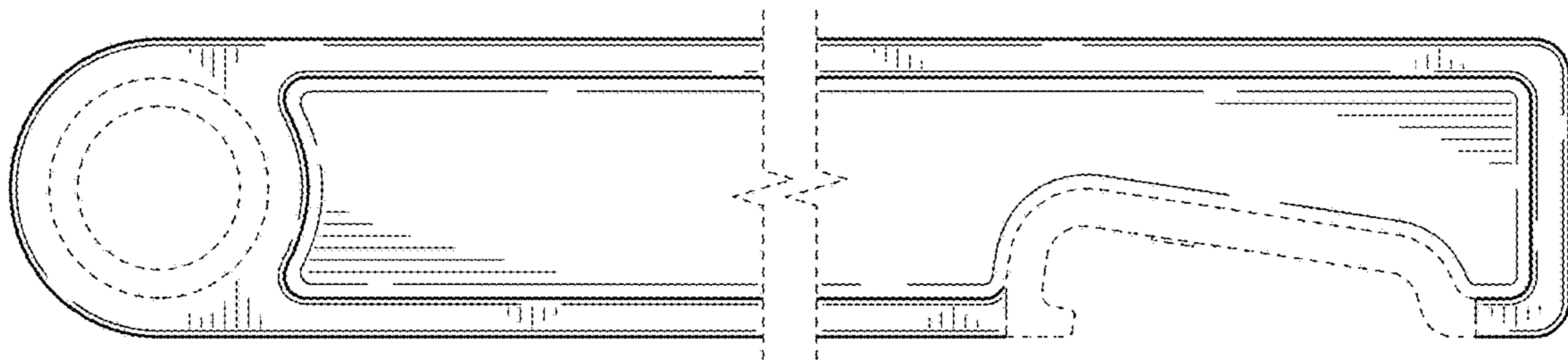


FIG. 3

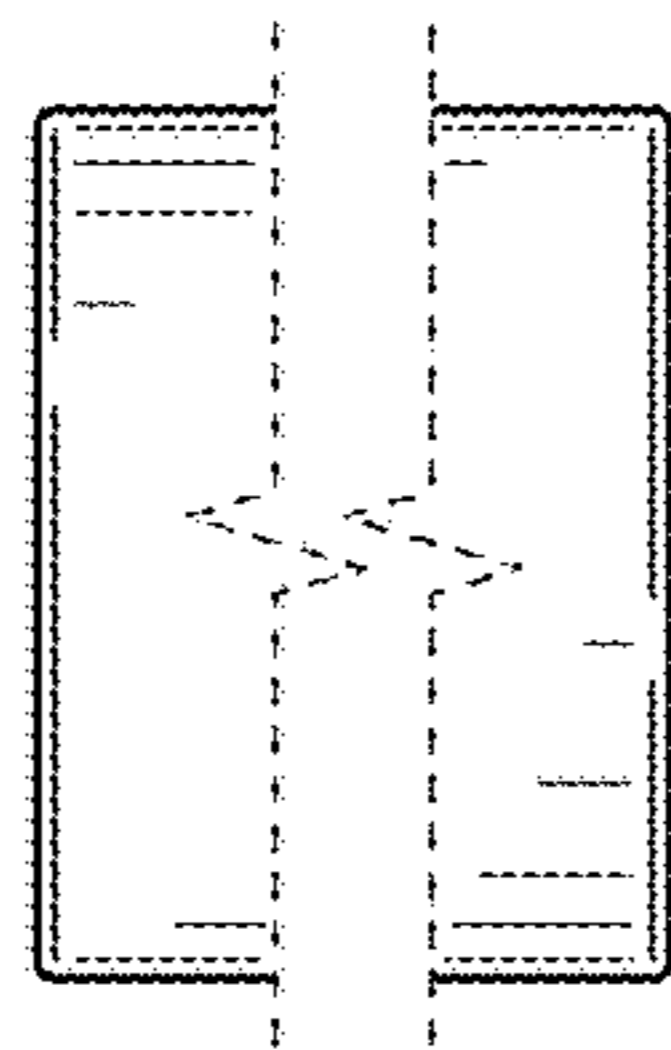


FIG. 4

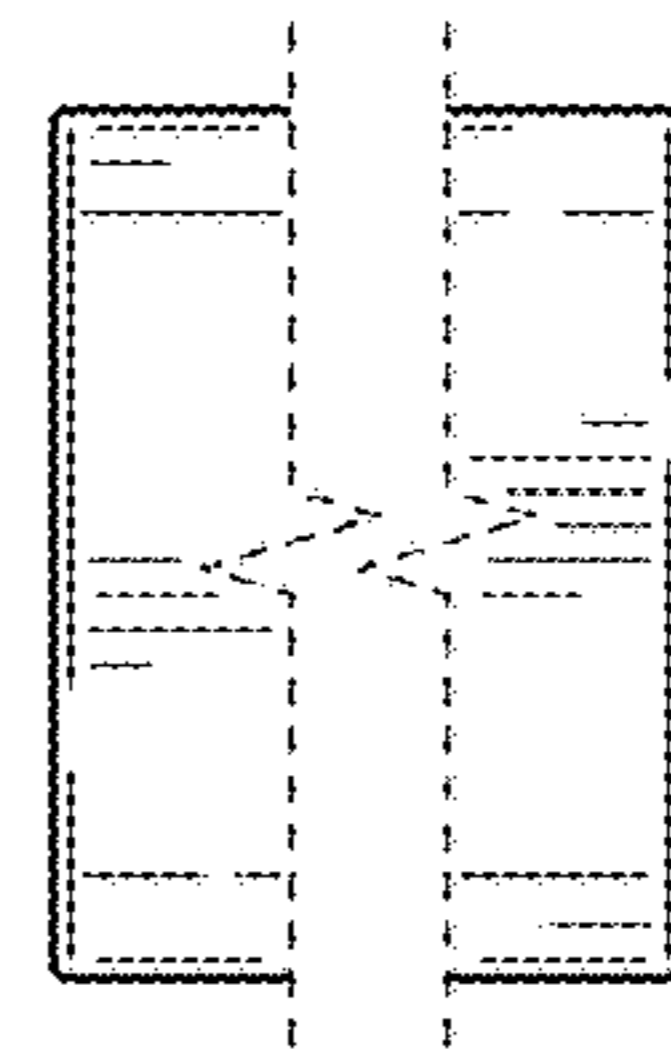


FIG. 5

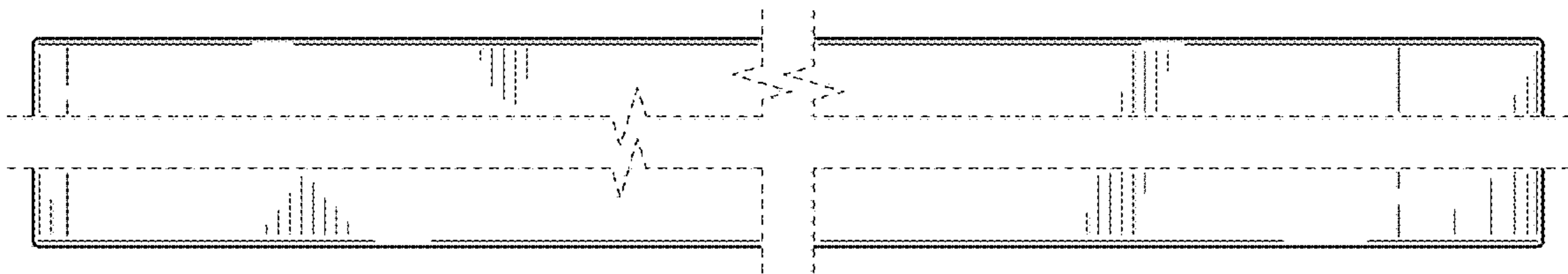


FIG. 6

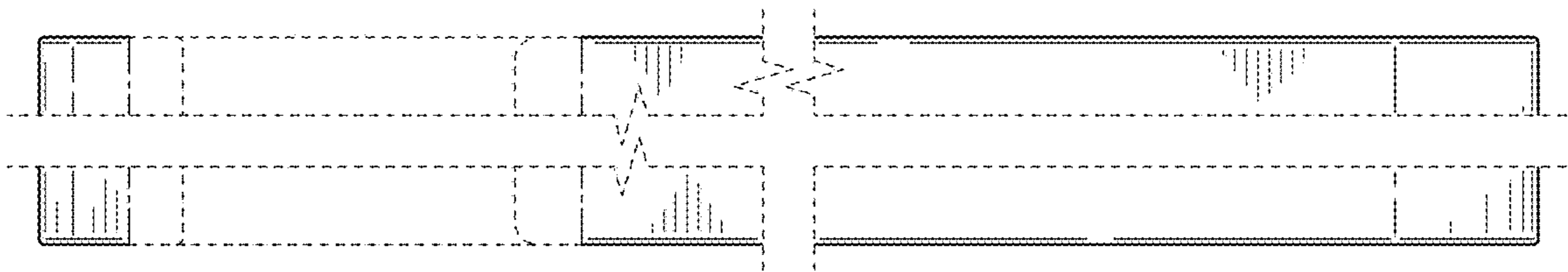


FIG. 7