



US00D805867S

(12) **United States Design Patent** (10) **Patent No.:** **US D805,867 S**  
**Seiders et al.** (45) **Date of Patent:** **\*\* Dec. 26, 2017**

(54) **BOTTLE OPENER**  
(71) Applicant: **YETI Coolers, LLC**, Austin, TX (US)  
(72) Inventors: **Roy Joseph Seiders**, Rollingwood, TX (US); **Steve Charles Nichols**, Austin, TX (US); **Kyle Thomas Miller**, Austin, TX (US)  
(73) Assignee: **YETI Coolers, LLC**, Austin, TX (US)  
(\*\*) Term: **15 Years**

D304,992 S \* 12/1989 Matthies ..... D8/40  
4,967,436 A \* 11/1990 Russell ..... B67B 7/44  
7/105  
5,069,090 A \* 12/1991 Clark ..... B67B 7/44  
7/105  
D323,967 S \* 2/1992 Talbot ..... D8/98  
D344,551 S \* 2/1994 McJunkin ..... D21/399  
D382,453 S \* 8/1997 Drinkwater ..... D8/18  
6,199,452 B1 \* 3/2001 Vinar ..... B67B 7/14  
81/3.36  
D440,132 S \* 4/2001 Su ..... D8/14  
D477,523 S \* 7/2003 Malvasio ..... D8/105

(Continued)

(21) Appl. No.: **29/560,646**  
(22) Filed: **Apr. 8, 2016**  
(51) **LOC (10) Cl.** ..... **07-06**  
(52) **U.S. Cl.**  
USPC ..... **D8/40**  
(58) **Field of Classification Search**  
USPC ..... D8/14, 16, 18, 19, 33-43, 98  
CPC .... B67B 7/00; B67B 7/04; B67B 7/14; B67B  
7/16; B67B 7/18; B67B 7/20; B67B 7/24;  
B67B 7/30; B67B 7/34; B67B 7/36;  
B67B 7/44  
See application file for complete search history.

**OTHER PUBLICATIONS**

You Earned It Bottle Opener [online]. Retrieved on Jun. 8, 2017, Wayback Machine retrieval date from the Internet: Jun. 25, 2014, <<http://web.archive.org/web/20140625154613/www.owenandfred.com/products/you-earned-it-bottle-opener>>.

*Primary Examiner* — Elizabeth Albert  
(74) *Attorney, Agent, or Firm* — Banner & Witcoff, Ltd.

(57) **CLAIM**

The ornamental design for a bottle opener, as shown and described.

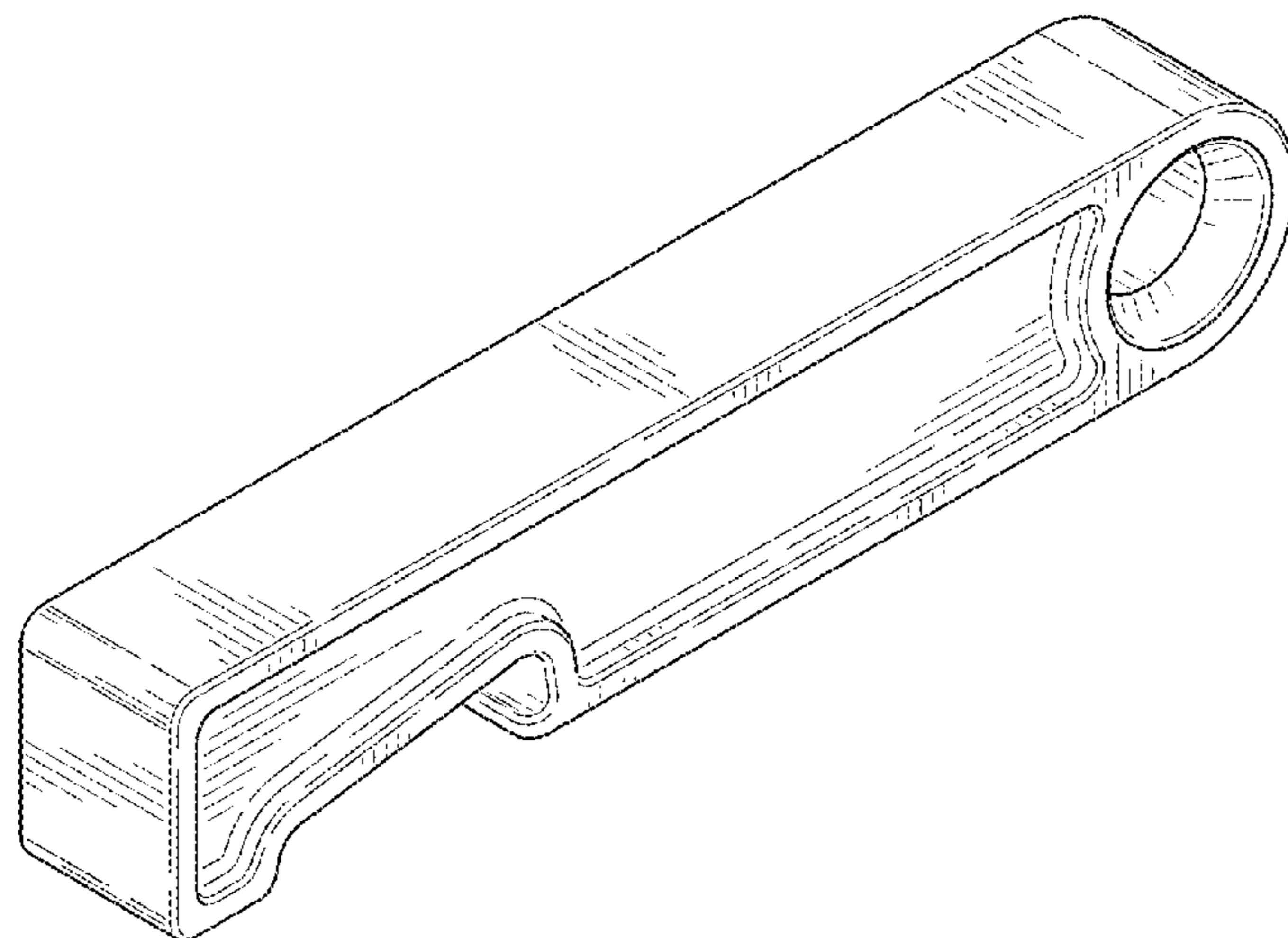
**DESCRIPTION**

FIG. 1 is a top, front, right perspective view of a bottle opener showing our new design; FIG. 2 is a right side view thereof; FIG. 3 is a left side view thereof; FIG. 4 is a rear view thereof; FIG. 5 is a front view thereof; FIG. 6 is a top view thereof; and, FIG. 7 is a bottom view thereof.

The broken lines shown are for environmental purposes only and form no part of the claimed design. The unshaded regions within or adjacent to the shaded area form no part of the claimed design.

**1 Claim, 3 Drawing Sheets**

(56) **References Cited**  
**U.S. PATENT DOCUMENTS**  
928,156 A \* 7/1909 Rydquist ..... B67B 7/16  
81/3.57  
1,676,648 A \* 7/1928 Hardiman ..... B67B 7/16  
81/3.57  
D105,160 S \* 6/1937 Zinkil ..... D23/252  
D245,830 S \* 9/1977 De Gross ..... D8/18  
D250,510 S \* 12/1978 Bujan ..... D8/40  
D255,981 S \* 7/1980 Carbo ..... D8/107  
4,398,314 A \* 8/1983 Converse ..... B67B 7/403  
7/151  
4,658,455 A \* 4/1987 Skillern ..... A47L 13/512  
248/211  
D292,168 S \* 10/1987 Seltzer ..... 81/3.8  
D296,411 S \* 6/1988 Madsen ..... D8/18



(56)

**References Cited**

U.S. PATENT DOCUMENTS

D501,773 S *	2/2005	Kohn .....	D8/18
D571,171 S *	6/2008	Albritton .....	D8/14
D575,613 S *	8/2008	Jennings .....	D8/98
D713,699 S *	9/2014	Bachman .....	D8/40
D714,612 S *	10/2014	Gropl .....	D8/98
D721,564 S *	1/2015	Purnomohadi .....	D8/98
D735,542 S *	8/2015	Nelson .....	D8/14
D737,645 S *	9/2015	Jordan .....	D8/40
2011/0185858 A1 *	8/2011	Luo .....	B67B 7/44 81/3.09

\* cited by examiner

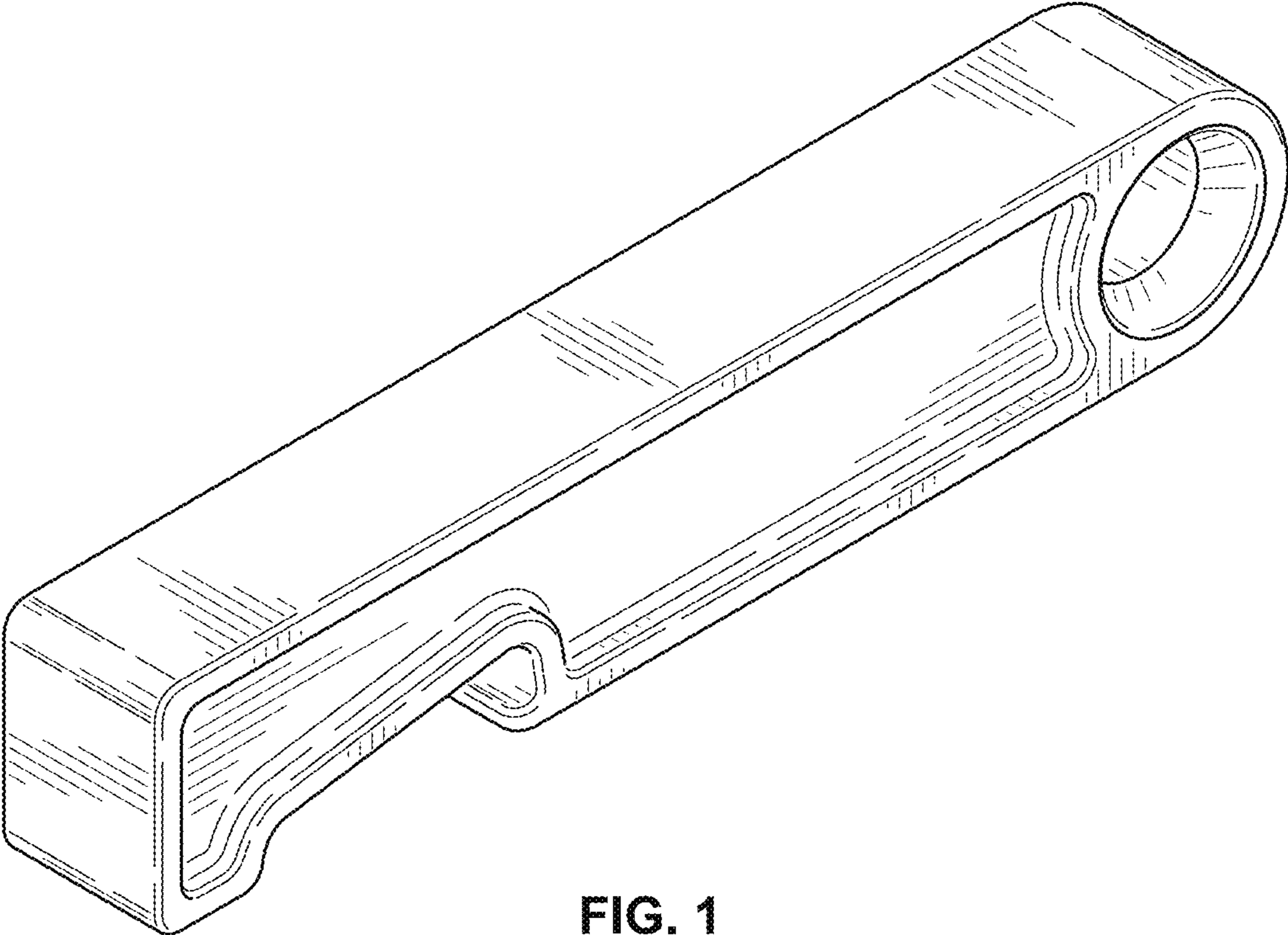


FIG. 1

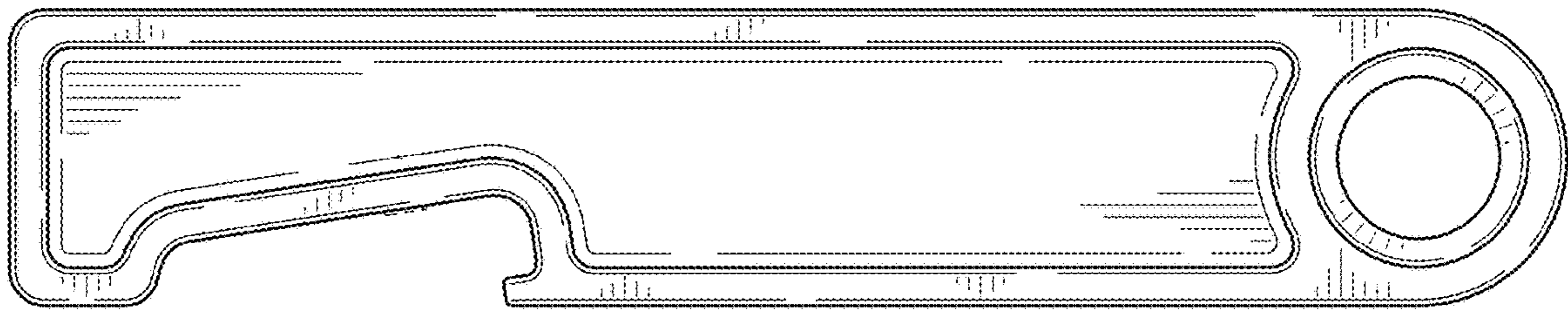


FIG. 2

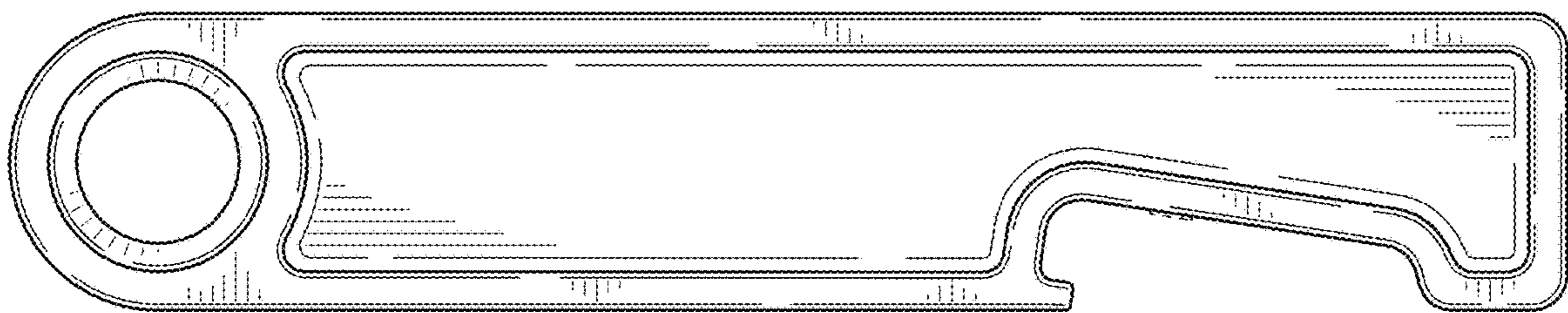


FIG. 3

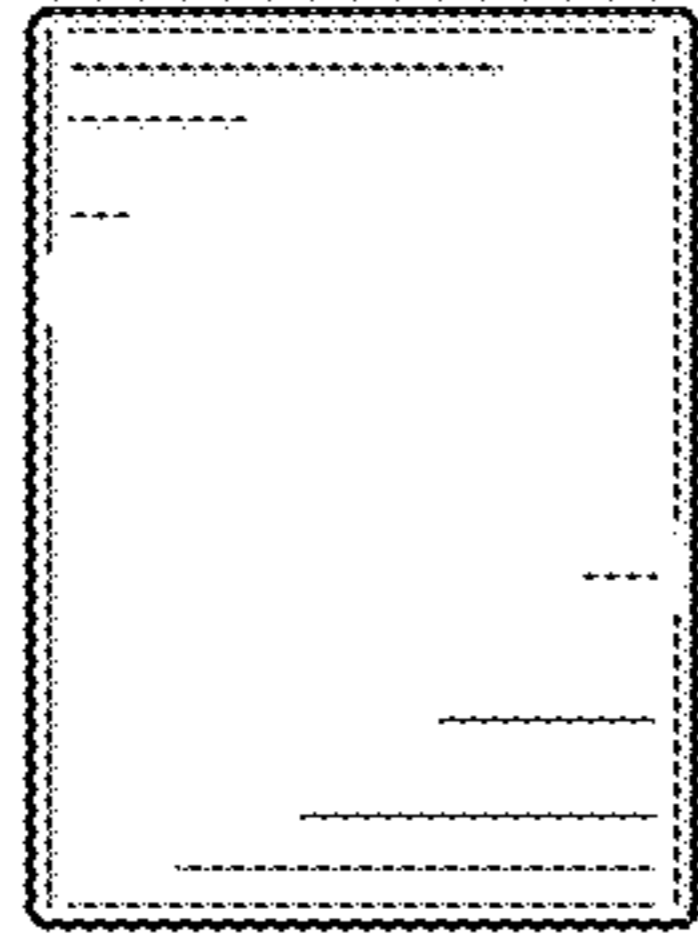


FIG. 4

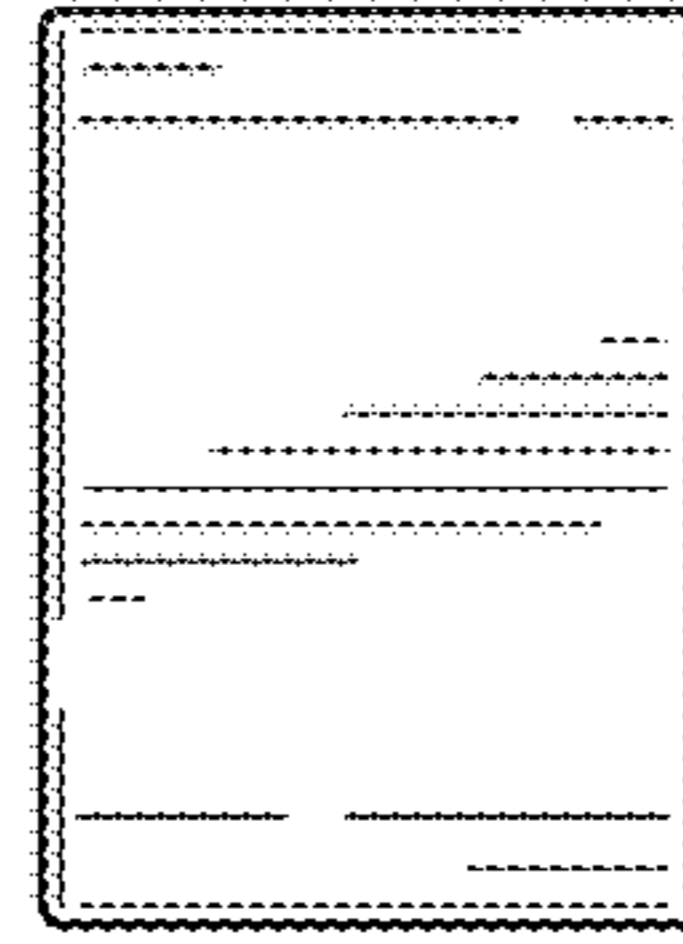


FIG. 5

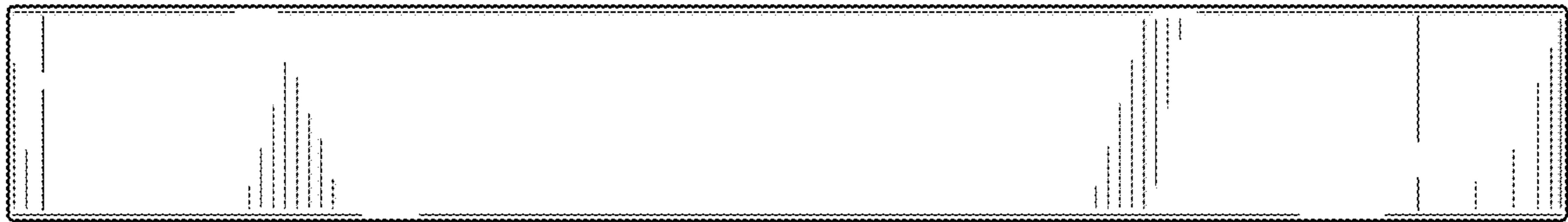


FIG. 6

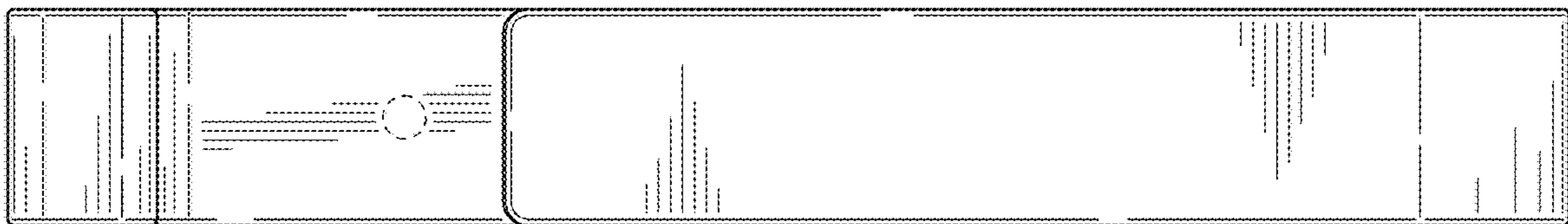


FIG. 7