



US00D805864S

(12) **United States Design Patent**  
**Stangeland**

(10) **Patent No.:** **US D805,864 S**

(45) **Date of Patent:** **\*\* Dec. 26, 2017**

(54) **COMBINATION BOTTLE AND CAN OPENER**

(71) Applicant: **James A. Stangeland**, Huntington Beach, CA (US)

(72) Inventor: **James A. Stangeland**, Huntington Beach, CA (US)

(\*\*) Term: **15 Years**

(21) Appl. No.: **29/570,405**

(22) Filed: **Jul. 7, 2016**

(51) **LOC (10) Cl.** ..... **07-06**

(52) **U.S. Cl.**  
USPC ..... **D8/18**

(58) **Field of Classification Search**  
USPC ..... D8/18, 33, 38, 40, 356; D1/106, 111;  
D3/207, 208, 210; D9/600; D21/319,  
D21/358, 478, 598, 599, 708, 733, 759;  
30/400, 409-411; 53/363; 81/3.55, 3.57;  
7/169

CPC .... B67B 7/00; B67B 7/04; B67B 7/06; B67B  
7/14; B67B 7/16; B67B 7/20; B67B 7/24;  
B67B 7/30; B67B 7/38; B67B 7/44;  
B67B 7/182; B67B 7/403; B67B  
2201/012; B67B 2201/17; B67B 1/00

See application file for complete search history.

(56) **References Cited**

**U.S. PATENT DOCUMENTS**

D51,962 S *	4/1918	Januchowsky	81/3.55
D92,795 S *	7/1934	Frank	D8/38
D420,265 S *	2/2000	Pierce	D8/18
D495,572 S *	9/2004	Yeung	D8/40
D637,463 S *	5/2011	Silvers	D8/18
D688,542 S *	8/2013	Wysoczynski	D8/18
D693,660 S *	11/2013	Hackett	D8/18
D696,088 S *	12/2013	Shrock	D8/40
8,607,668 B1 *	12/2013	Frank	B67B 7/16 81/3.09

D731,272 S *	6/2015	Salvat	D8/34
D751,360 S *	3/2016	Oakley	D8/18
D774,373 S *	12/2016	Peskorse	D8/40
D779,901 S *	2/2017	Kieu	D8/40
D780,546 S *	3/2017	Kieu	D8/40
D782,890 S *	4/2017	Palomino	D8/18
D789,247 S *	6/2017	Burton	D11/221
D792,179 S *	7/2017	Hsieh	D8/33

\* cited by examiner

*Primary Examiner* — Wan Laymon

*Assistant Examiner* — Clint A Samuel

(74) *Attorney, Agent, or Firm* — Morland C. Fische

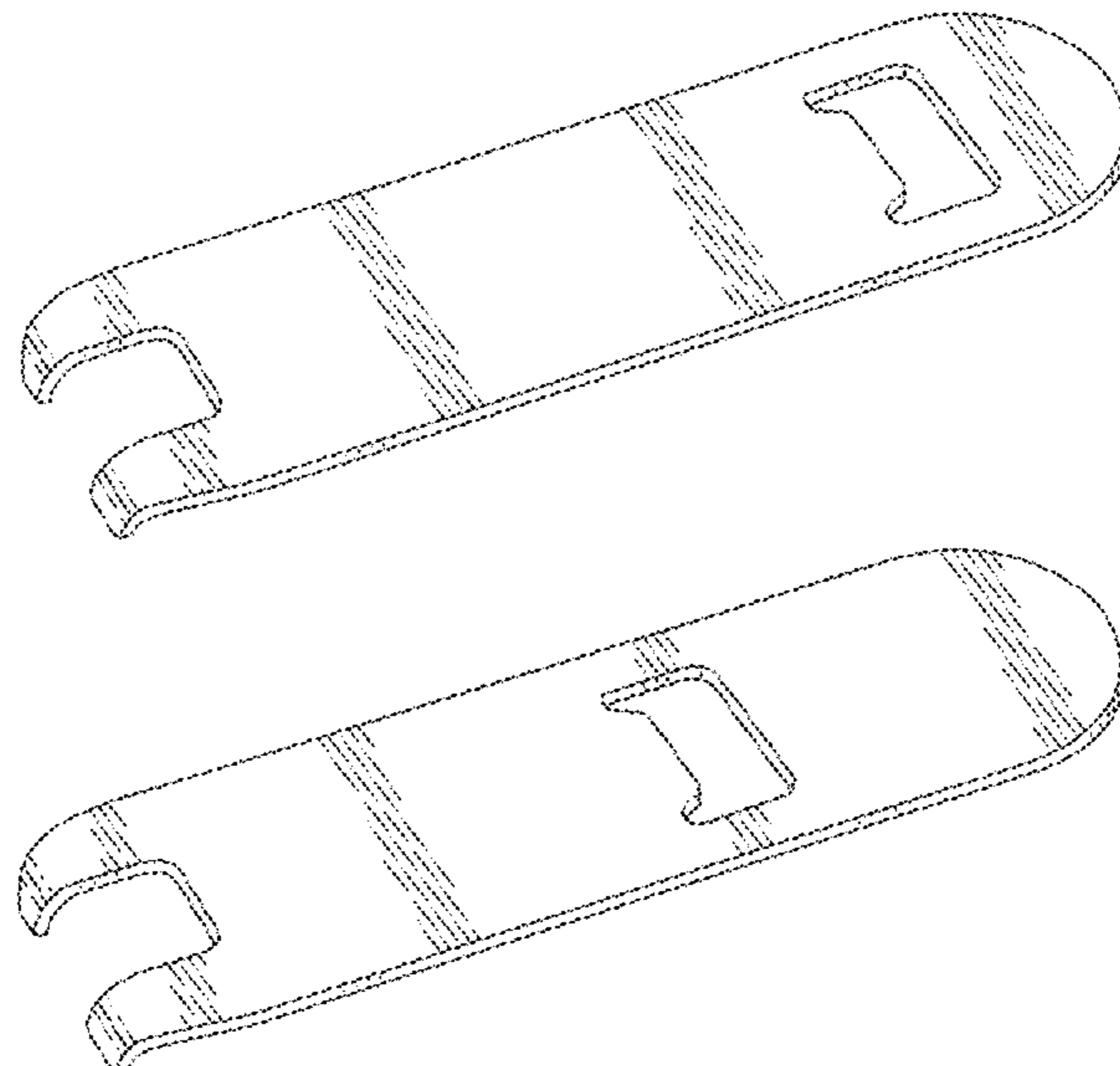
(57) **CLAIM**

The ornamental design for a combination bottle and can opener, as shown and described.

**DESCRIPTION**

FIG. 1 is a perspective view showing the top, left side and front of a combination bottle and can opener which forms a first embodiment of my new design;  
 FIG. 2 is a top plan view thereof;  
 FIG. 3 is a left side elevational view thereof, this view and the opposite right side elevational view being mirror images;  
 FIG. 4 is a bottom plan view thereof;  
 FIG. 5 is a front elevational view thereof; and  
 FIG. 6 is a rear elevational view thereof;  
 FIG. 7 is a perspective view showing the top, left side and front of a combination bottle and can opener which forms a second embodiment of my new design;  
 FIG. 8 is a top plan view thereof;  
 FIG. 9 is a left side elevational view thereof, this view and the opposite right side elevational view being mirror images;  
 FIG. 10 is a bottom view thereof;  
 FIG. 11 is a front elevational view thereof; and,  
 FIG. 12 is a rear elevational view thereof.

**1 Claim, 2 Drawing Sheets**



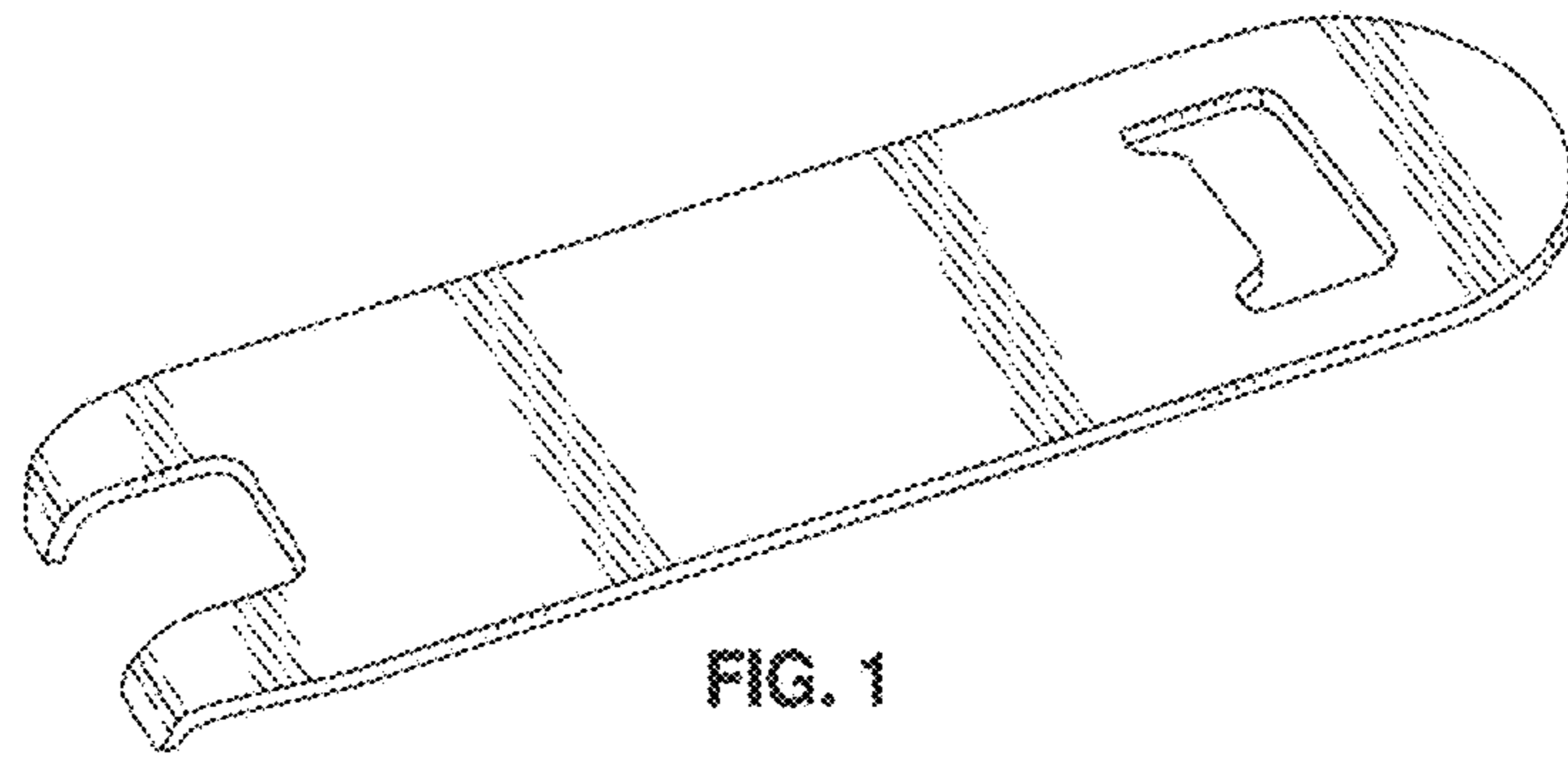


FIG. 1

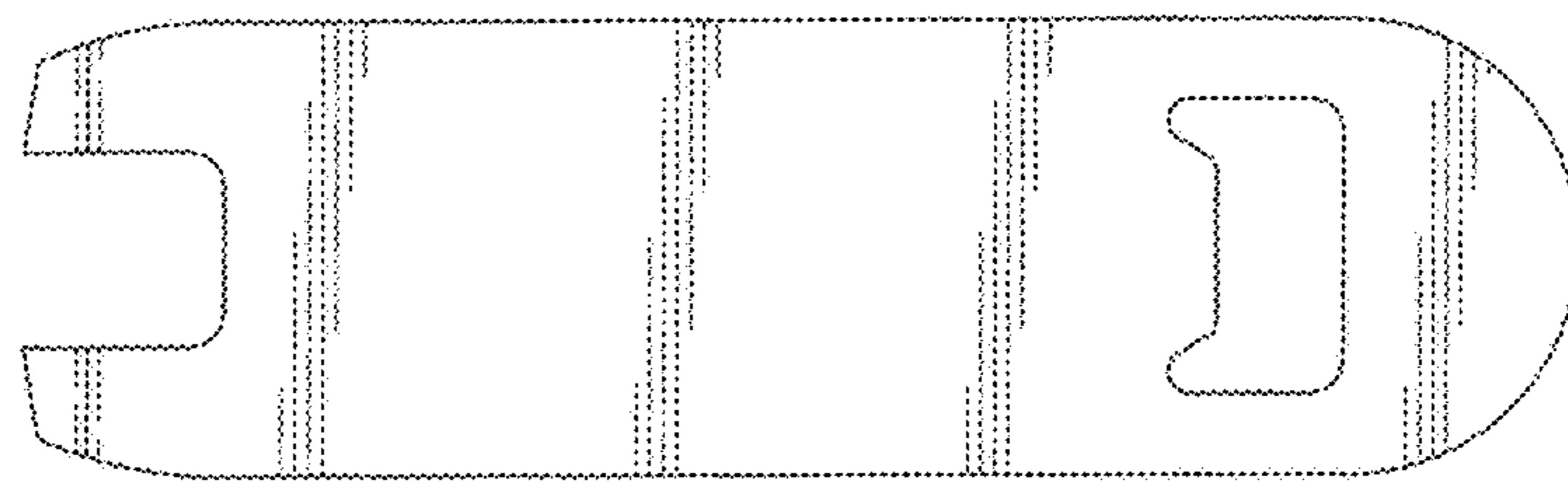


FIG. 2

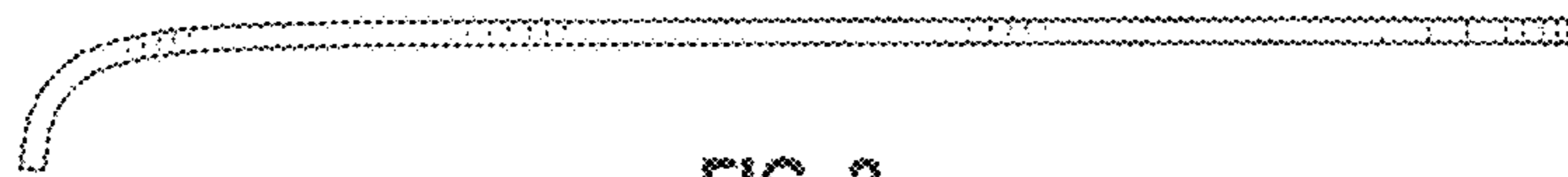


FIG. 3

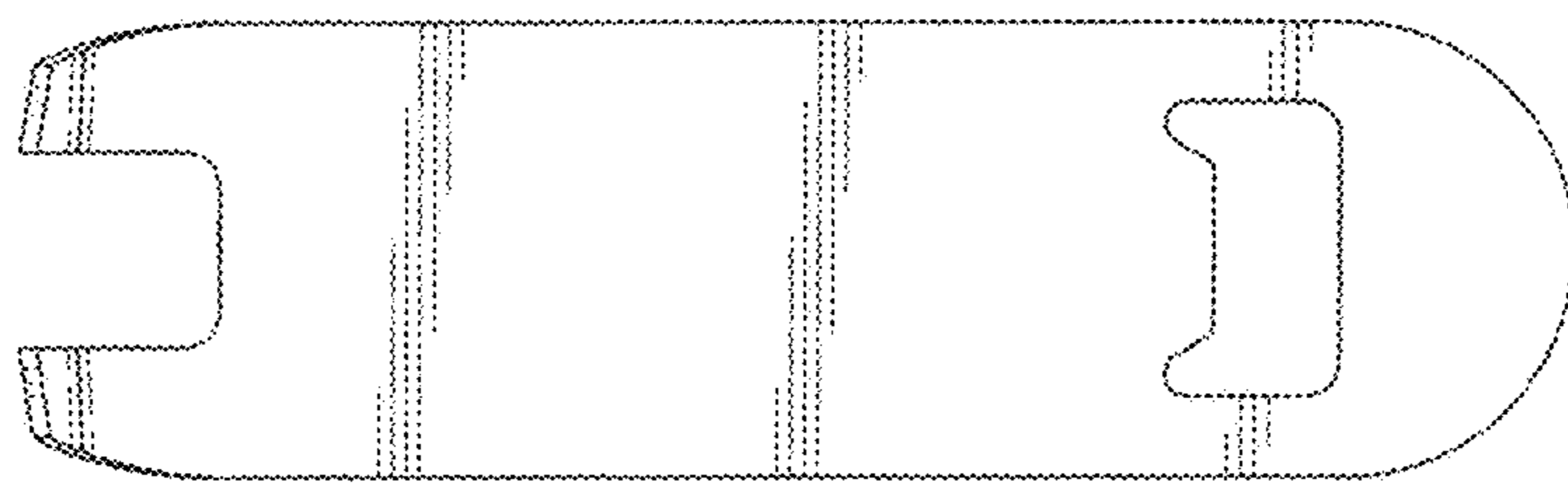


FIG. 4

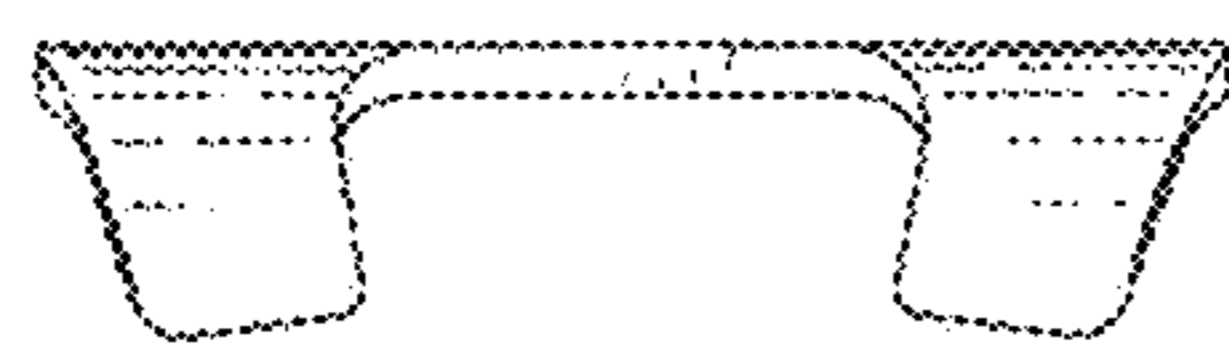


FIG. 5

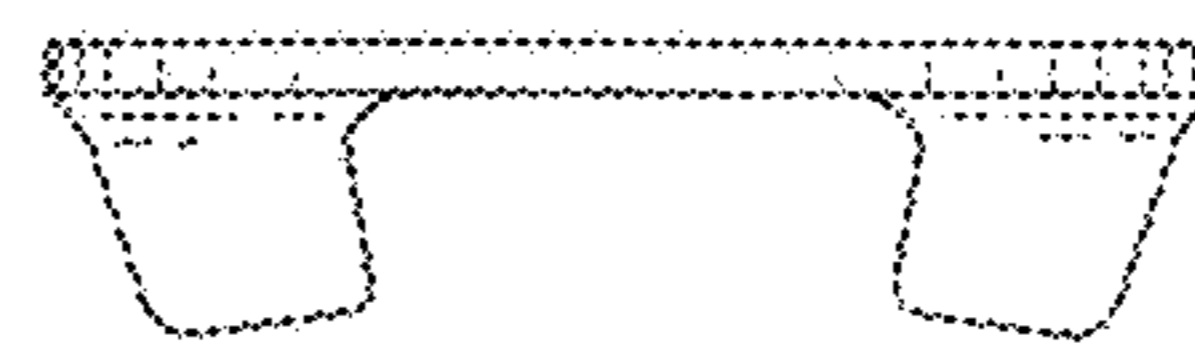


FIG. 6

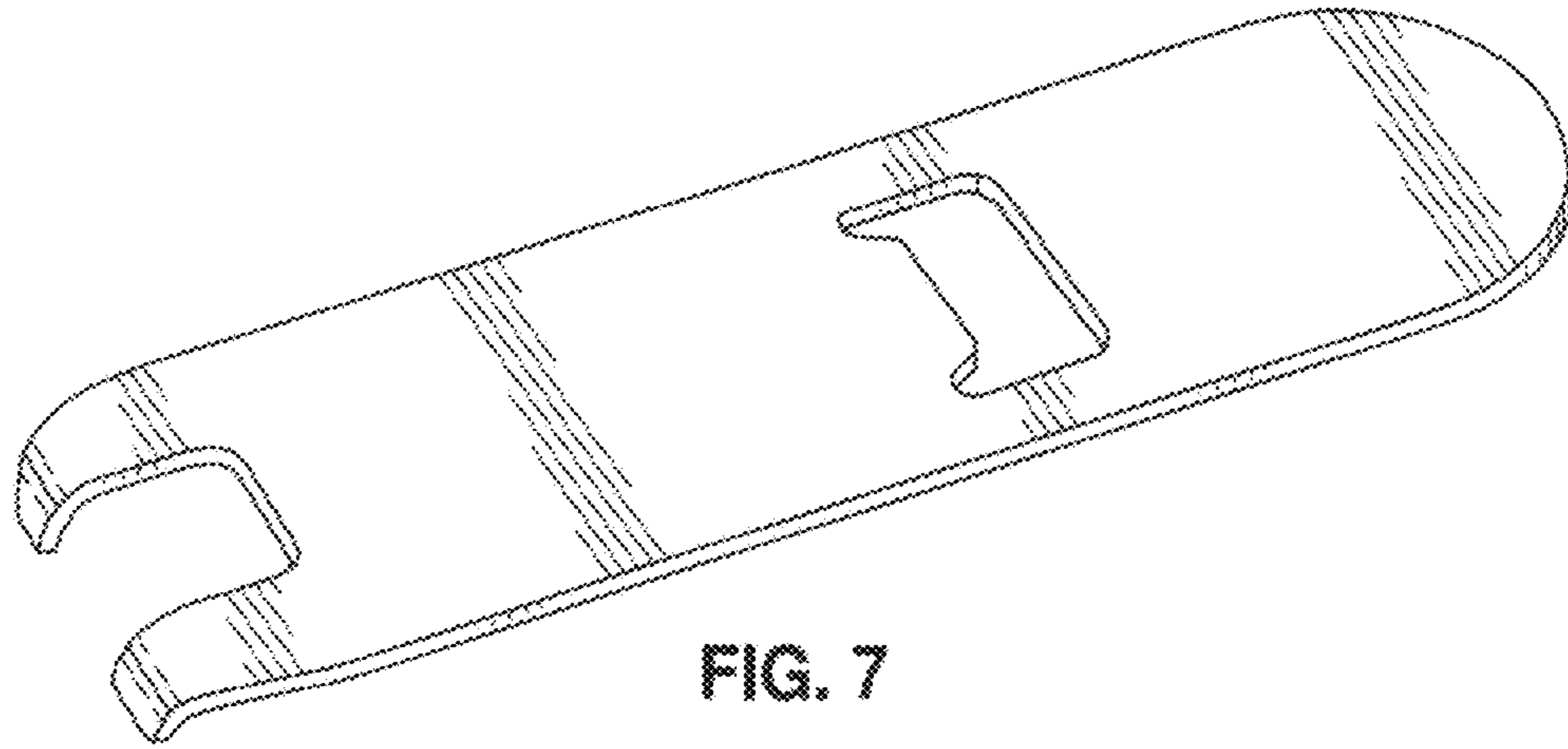


FIG. 7

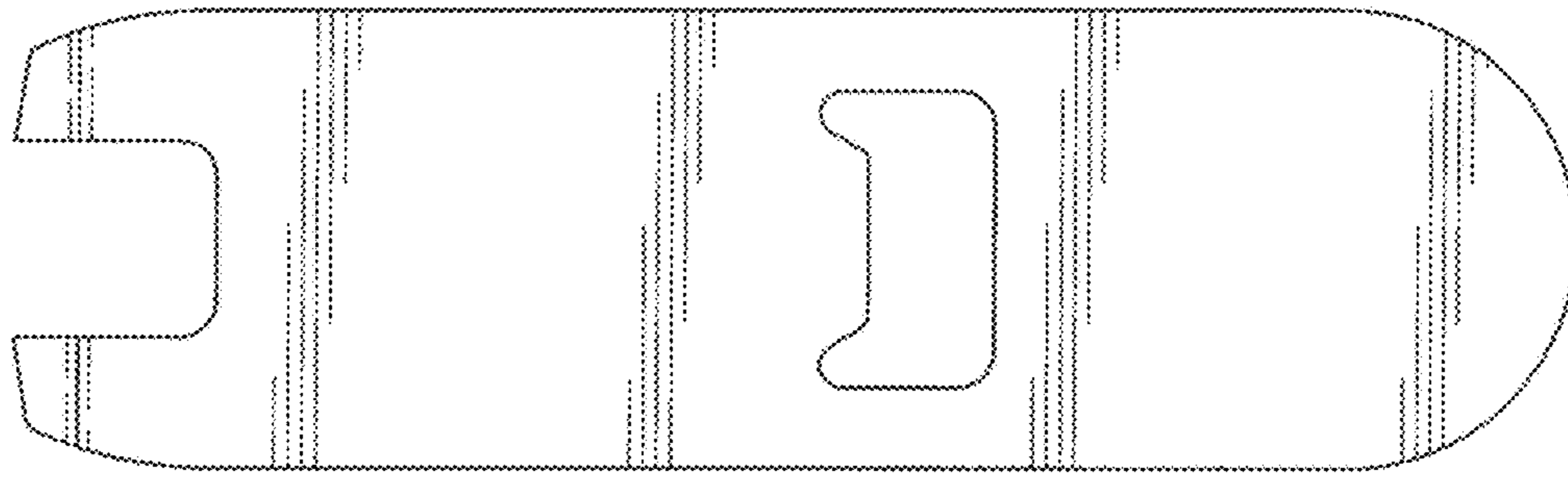


FIG. 8

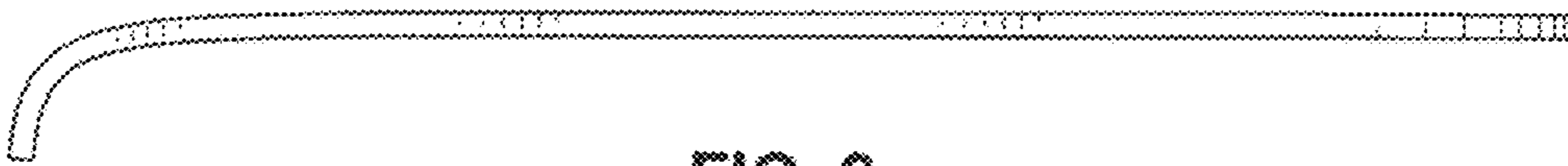


FIG. 9

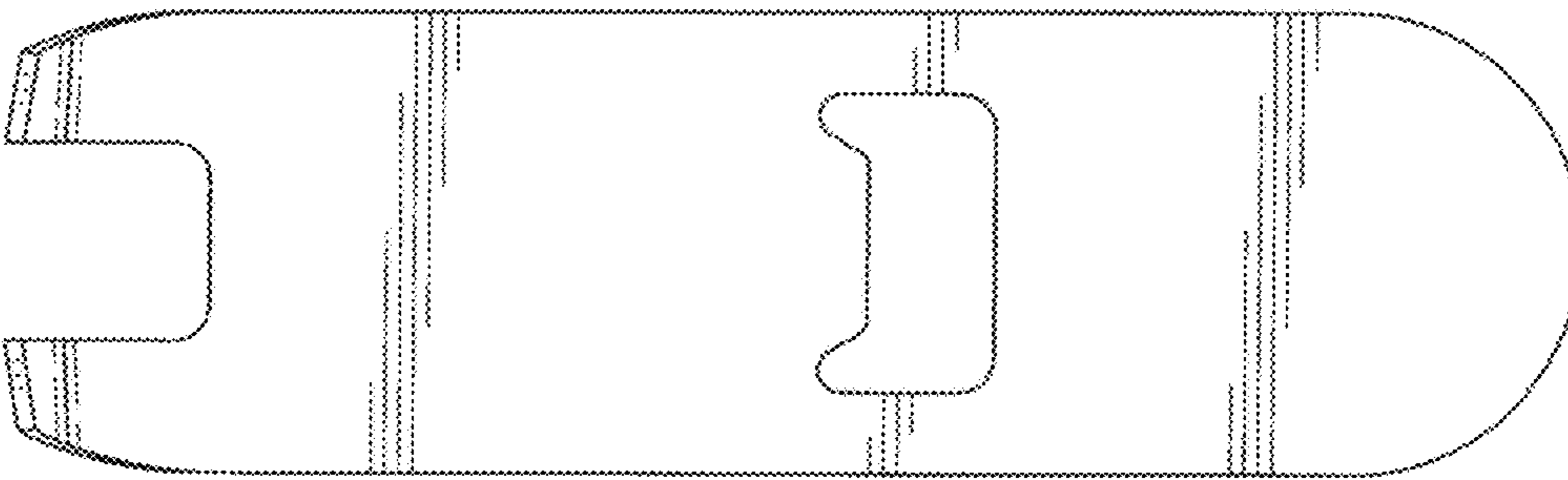


FIG. 10

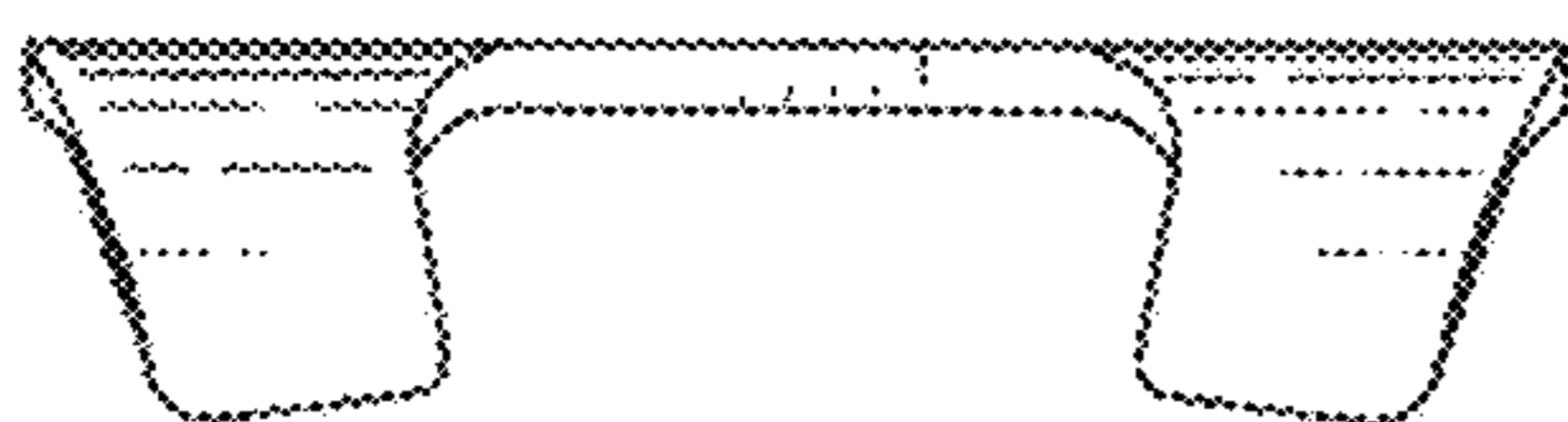


FIG. 11

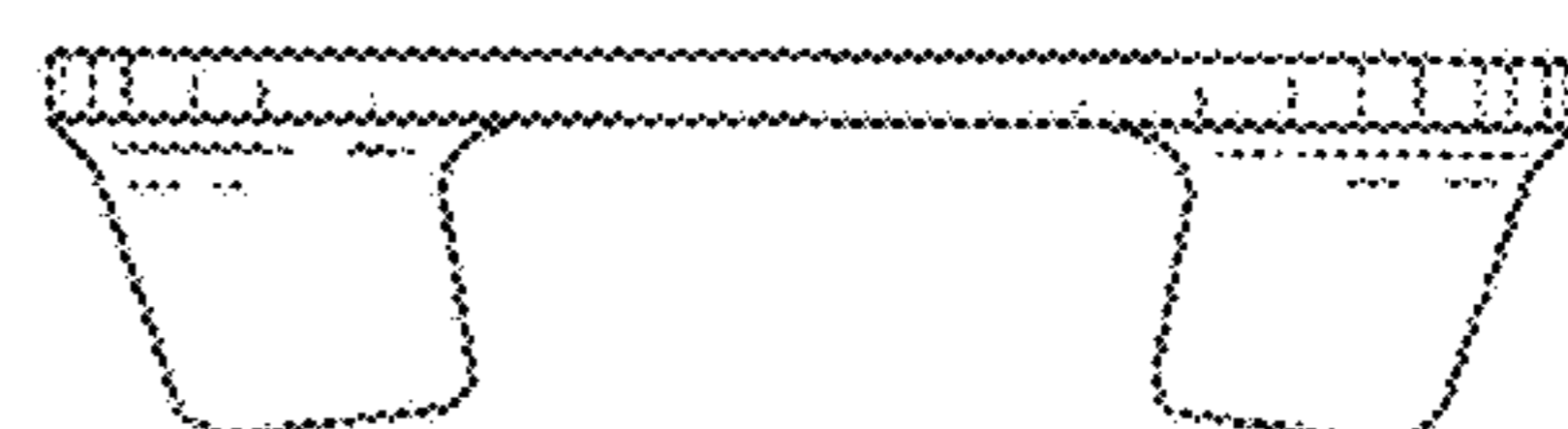


FIG. 12