



US00D805861S

(12) **United States Design Patent**
LaRiviere

(10) **Patent No.:** **US D805,861 S**

(45) **Date of Patent:** **** Dec. 26, 2017**

(54) **IN-LINE BOTTLE RACK**

(71) Applicant: **Frederic David LaRiviere**, Monterey, CA (US)

(72) Inventor: **Frederic David LaRiviere**, Monterey, CA (US)

(**) Term: **15 Years**

(21) Appl. No.: **29/573,350**

(22) Filed: **Aug. 4, 2016**

Related U.S. Application Data

(60) Division of application No. 29/523,838, filed on Apr. 14, 2015, now Pat. No. Des. 766,051, which is a continuation of application No. 14/253,123, filed on Apr. 15, 2014, now abandoned.

(51) **LOC (10) Cl.** **06-04**

(52) **U.S. Cl.**
USPC **D7/701**

(58) **Field of Classification Search**
USPC D7/701-708, 600.1-600.4; D6/571, 569, D6/553, 675.4, 677.4, 678.3, 680.2, D6/682-682.2
CPC A47K 5/13; A47B 73/004; A47B 45/00; F25D 31/007; B01L 9/06; B67C 9/00; B67D 3/043; A47F 7/283
See application file for complete search history.

(56) **References Cited**

U.S. PATENT DOCUMENTS

3,286,849 A * 11/1966 Dominos B67C 9/00
141/106
3,814,293 A * 6/1974 Daves B67D 3/043
211/74

4,143,765 A * 3/1979 Moss, III B01L 9/06
206/0.83
4,378,889 A * 4/1983 Lebowitz A47F 7/283
211/74
6,129,219 A * 10/2000 Peickert A47B 45/00
211/74
6,808,149 B1 * 10/2004 Sendowski A47K 5/13
211/75
2007/0158284 A1 * 7/2007 Felder A47B 73/004
211/74
2013/0162133 A1 * 6/2013 Arslankiray F25D 31/007
312/405

* cited by examiner

Primary Examiner — Terry A Wallace

(74) *Attorney, Agent, or Firm* — LaRiviere, Grubman PC

(57) **CLAIM**

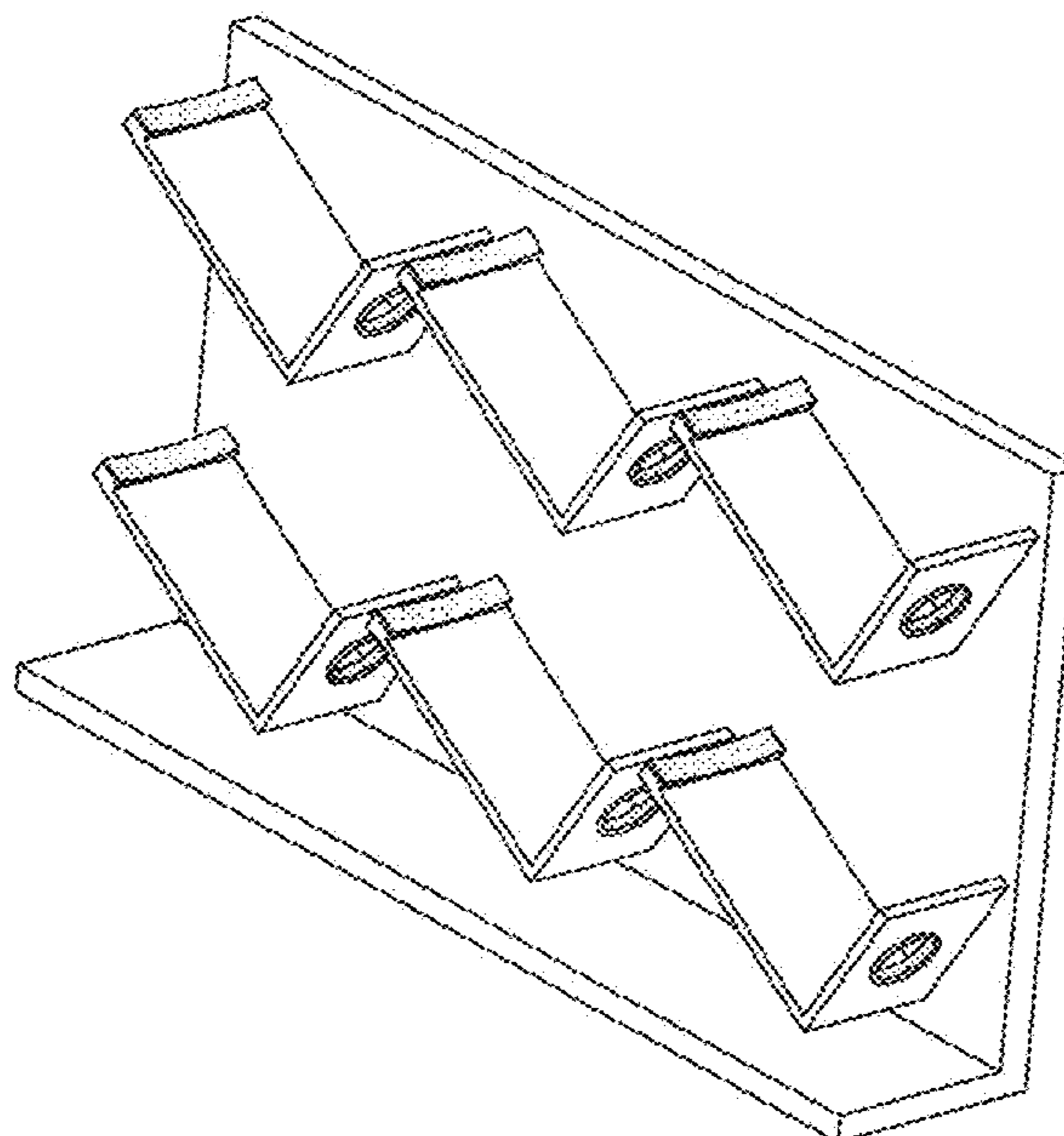
The ornamental design for an in-line bottle rack, as shown and described.

DESCRIPTION

FIG. 1 is a perspective view of a free-standing, single-sided in-line bottle rack, showing my design;
FIG. 2 is a perspective view thereof, in use condition;
FIG. 3 is a front view thereof;
FIG. 4 is a rear view thereof;
FIG. 5 is an end view thereof;
FIG. 6 is an opposing end view thereof;
FIG. 7 is a top view thereof; and,
FIG. 8 is a bottom view thereof.

The broken lines showing the environment are for illustrative purposes only and form no part of the claimed design.

1 Claim, 6 Drawing Sheets



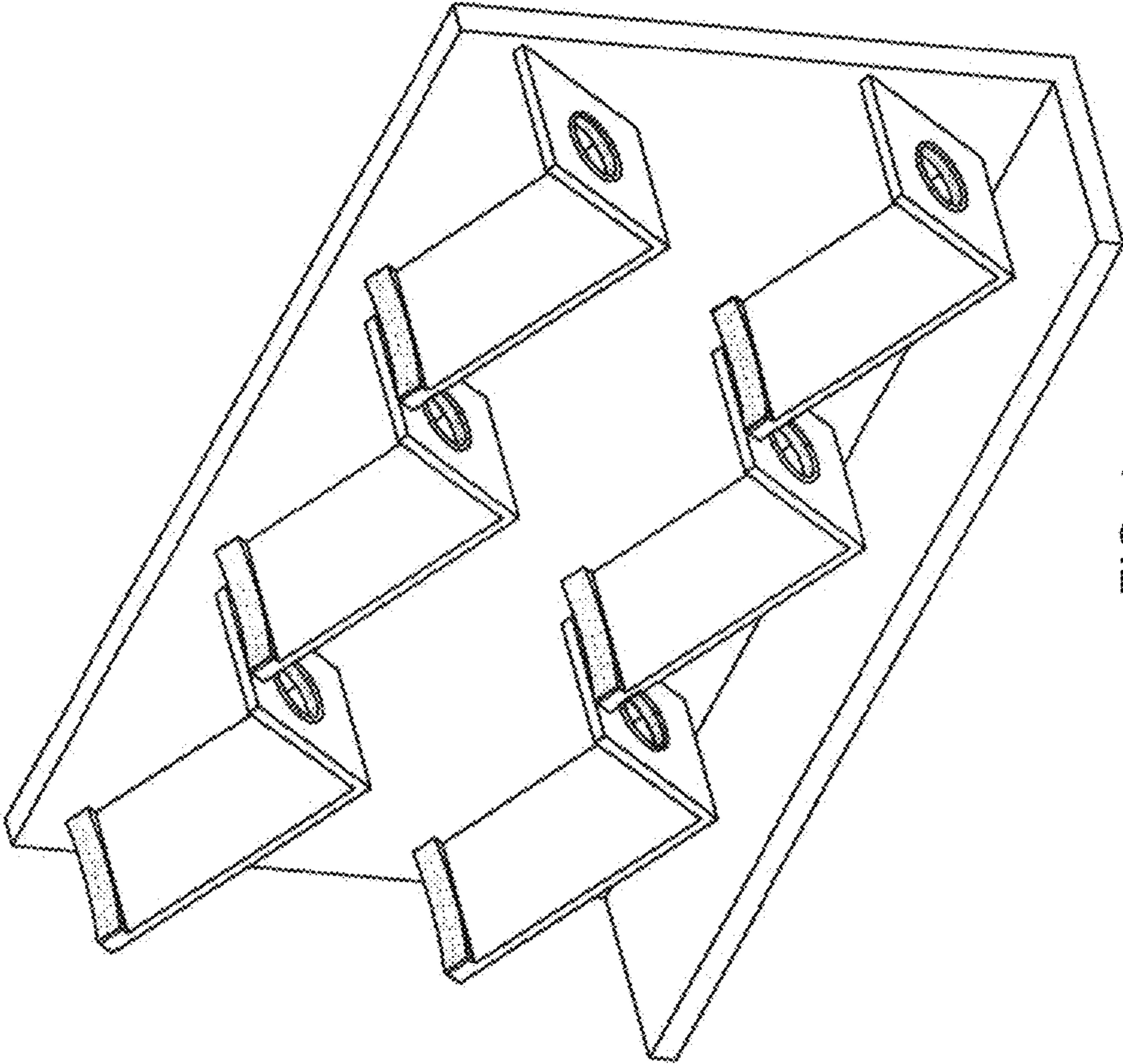


FIG. 1

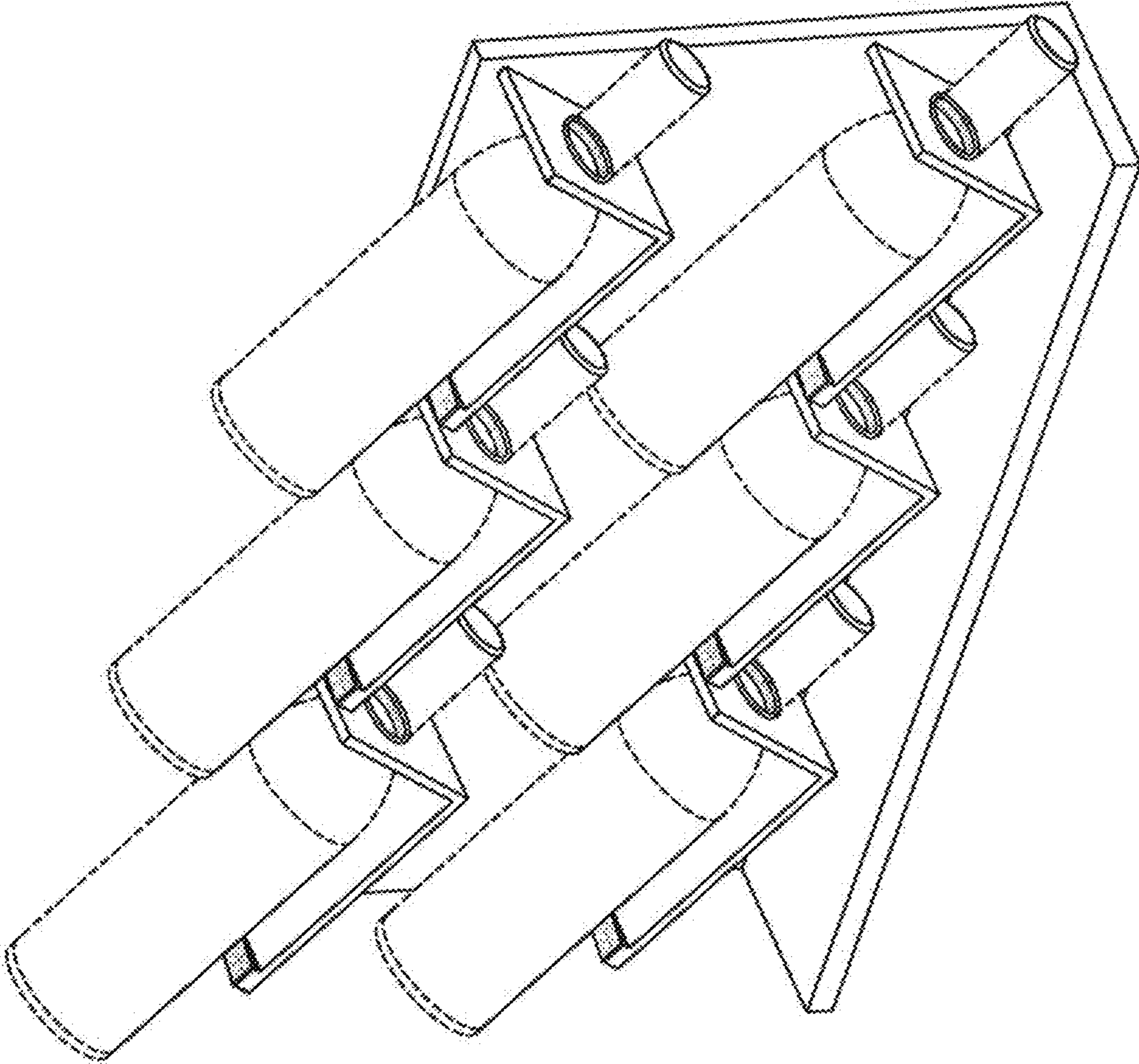


FIG. 2

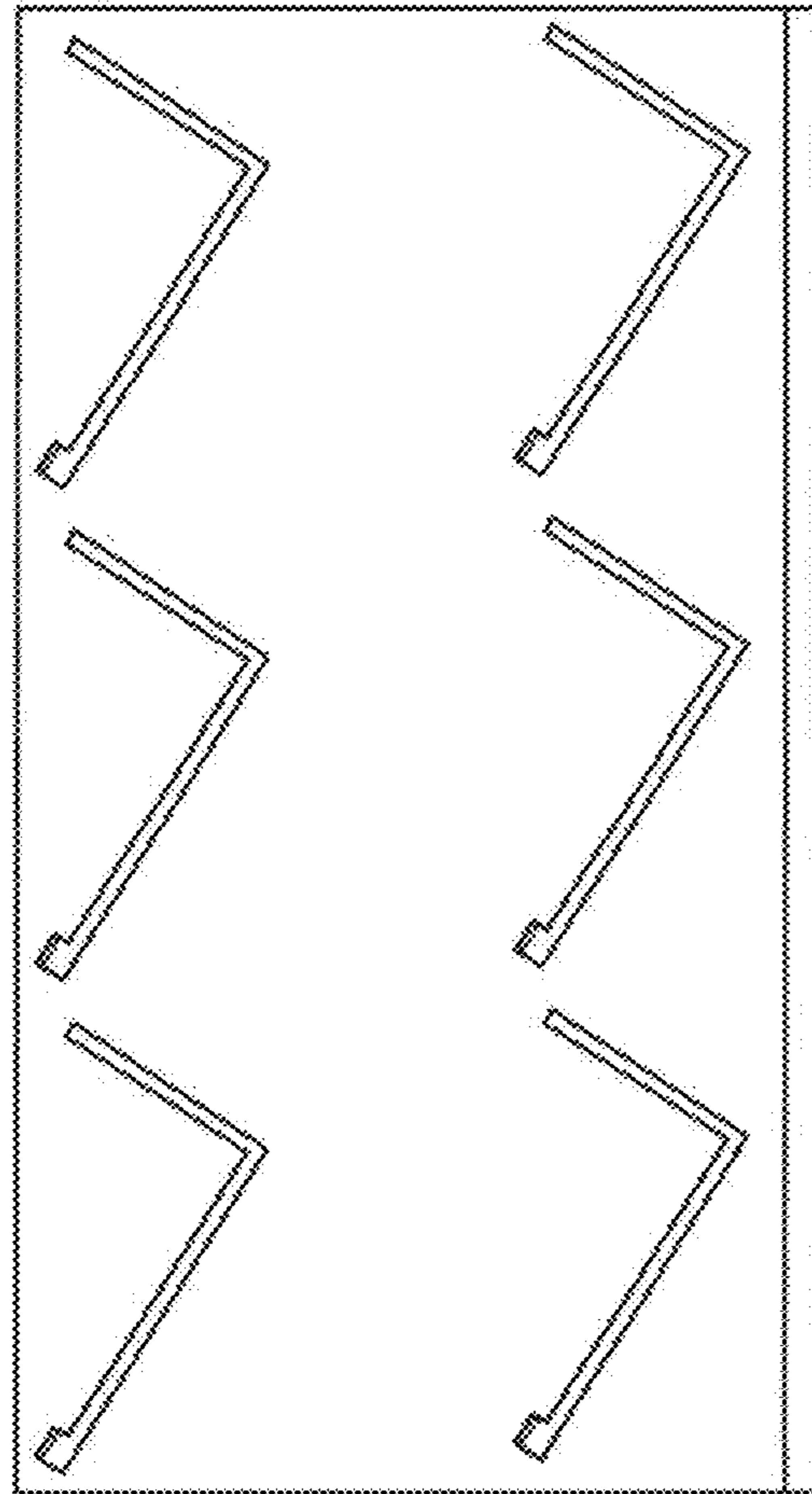


FIG. 3

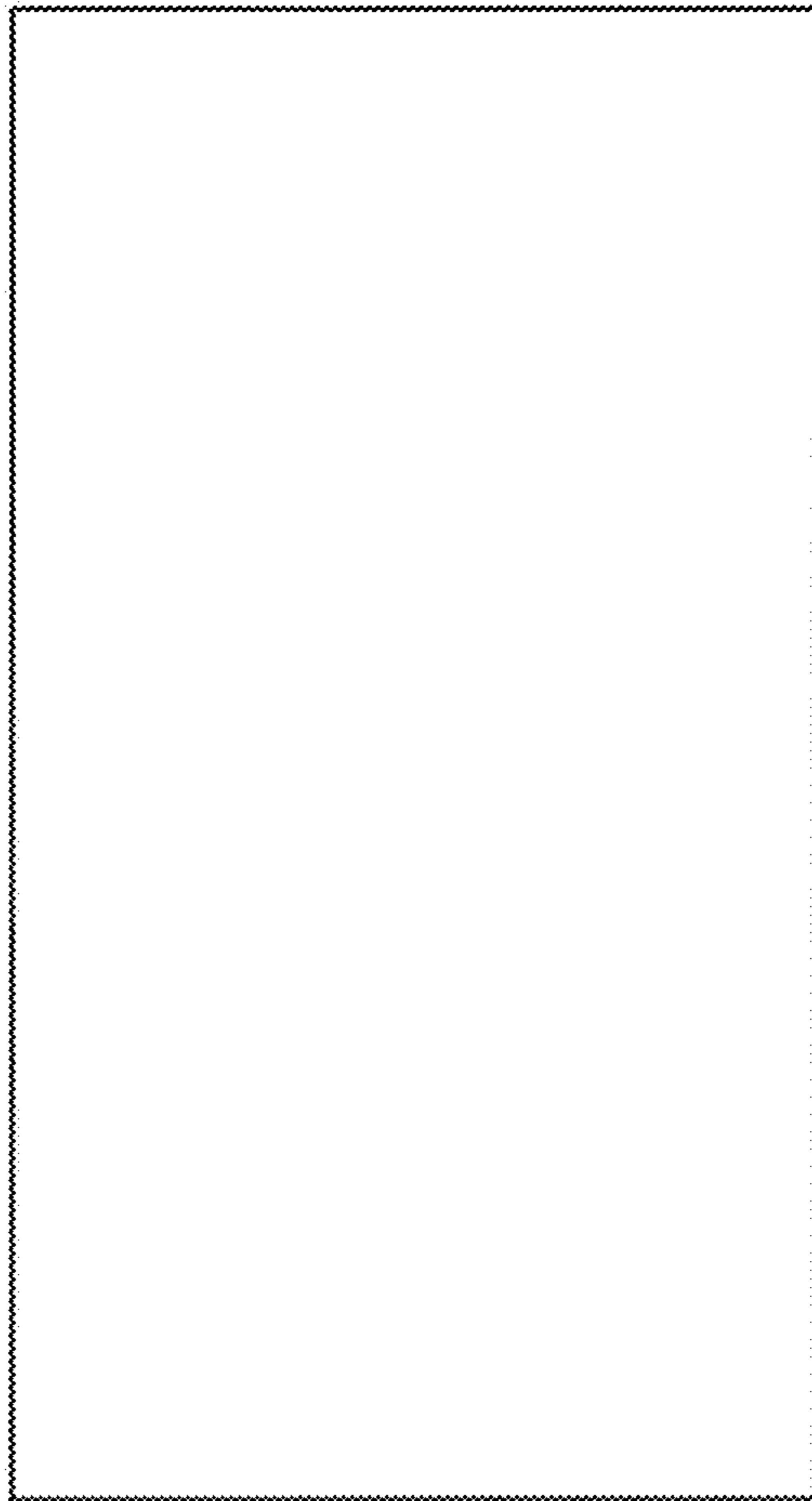


FIG. 4

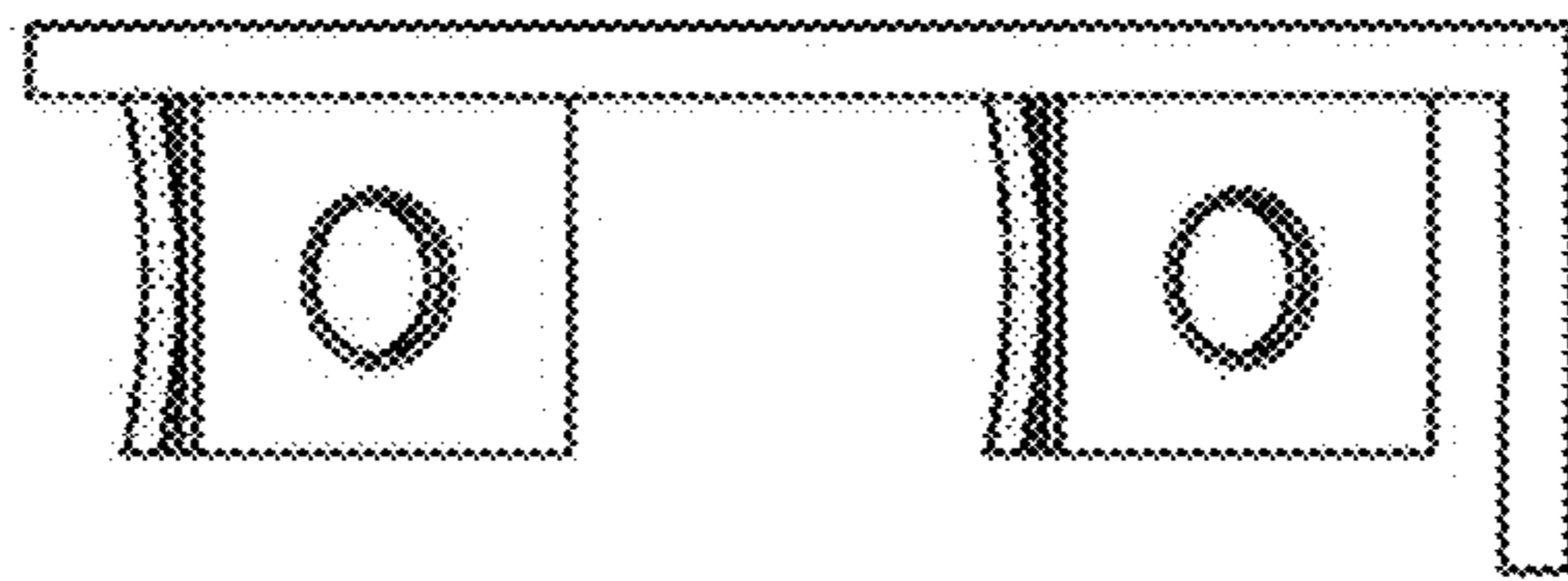


FIG. 6

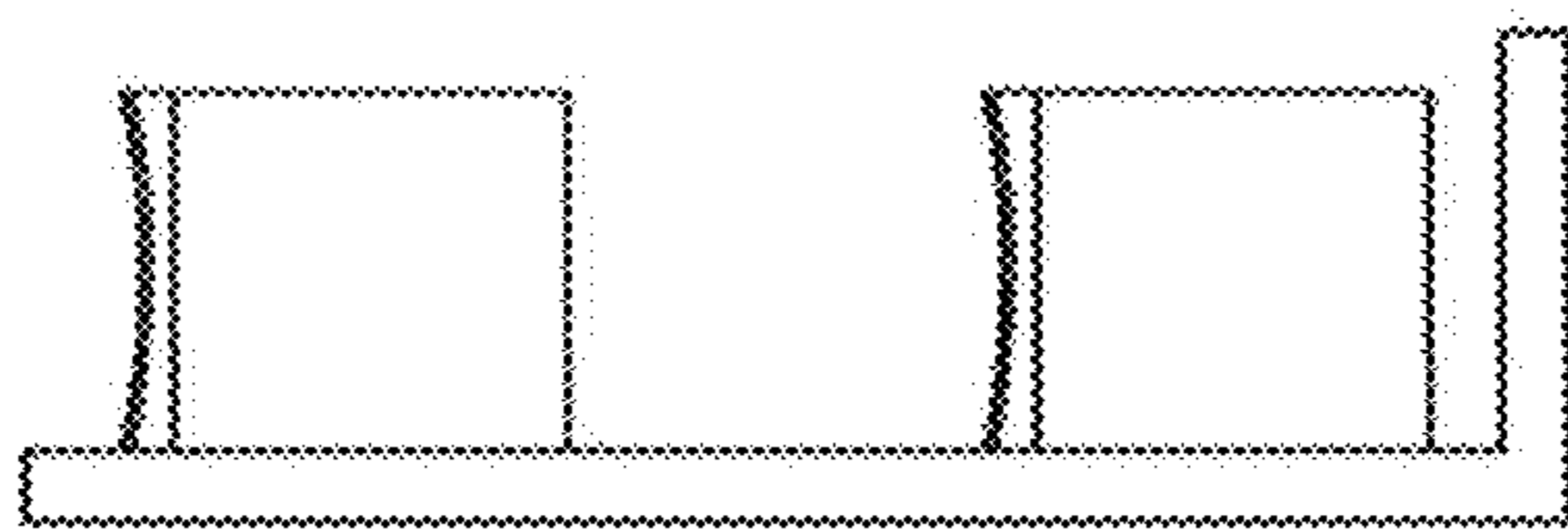


FIG. 5

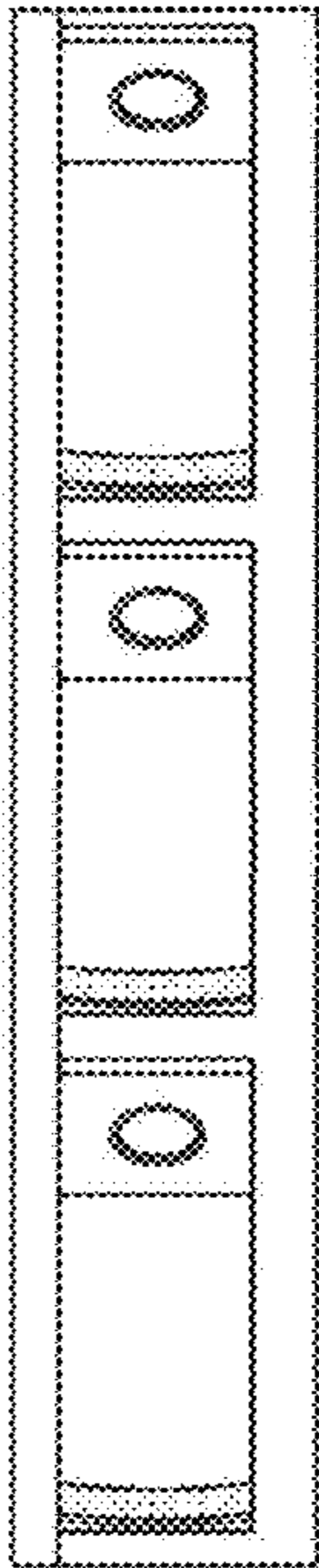


FIG. 7

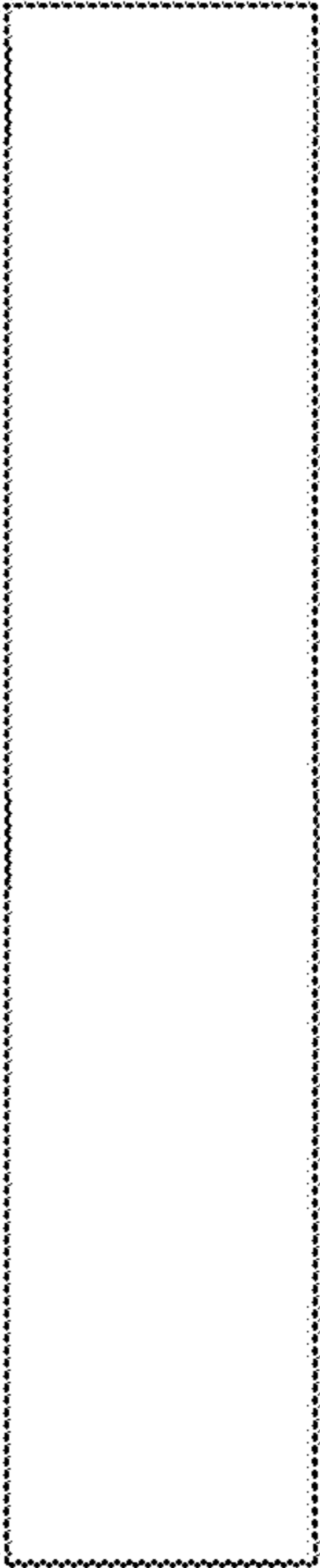


FIG. 8