



US00D805860S

(12) **United States Design Patent**  
**LaRiviere**

(10) **Patent No.:** **US D805,860 S**

(45) **Date of Patent:** **\*\* Dec. 26, 2017**

(54) **IN-LINE BOTTLE RACK**

(71) Applicant: **Frederic David LaRiviere**, Monterey, CA (US)

(72) Inventor: **Frederic David LaRiviere**, Monterey, CA (US)

(\*\*) Term: **15 Years**

(21) Appl. No.: **29/573,346**

(22) Filed: **Aug. 4, 2016**

**Related U.S. Application Data**

(60) Division of application No. 29/523,838, filed on Apr. 14, 2015, now Pat. No. Des. 766,051, which is a continuation of application No. 14/253,123, filed on Apr. 15, 2014, now abandoned.

(51) **LOC (10) Cl.** ..... **06-04**

(52) **U.S. Cl.**  
USPC ..... **D7/701**

(58) **Field of Classification Search**  
USPC ..... D7/701-708, 600.1-600.4; D6/571, 569, D6/553, 675.4, 677.4, 678.3, 680.2, D6/682-682.2  
CPC ... B67D 3/043; B67C 9/00; B01L 9/06; A47J 47/16; A47B 88/20; A47B 73/004; A47K 5/13; F25D 31/007

See application file for complete search history.

(56) **References Cited**

**U.S. PATENT DOCUMENTS**

3,286,849 A \* 11/1966 Dominos ..... B67C 9/00  
141/106  
3,814,293 A \* 6/1974 Daves ..... B67D 3/043  
211/74

4,143,765 A \* 3/1979 Moss, III ..... B01L 9/06  
206/0.83  
4,378,889 A \* 4/1983 Lebowitz ..... A47F 7/283  
211/74  
6,129,219 A \* 10/2000 Peickert ..... A47B 45/00  
211/74  
6,808,149 B1 \* 10/2004 Sendowski et al. .... A47K 5/13  
211/75  
2007/0158284 A1 \* 7/2007 Felder ..... A47B 73/004  
211/74  
2013/0162133 A1 \* 6/2013 Arslankiray ..... F25D 31/007  
312/405

\* cited by examiner

*Primary Examiner* — Terry A Wallace

(74) *Attorney, Agent, or Firm* — LaRiviere, Grubman PC

(57) **CLAIM**

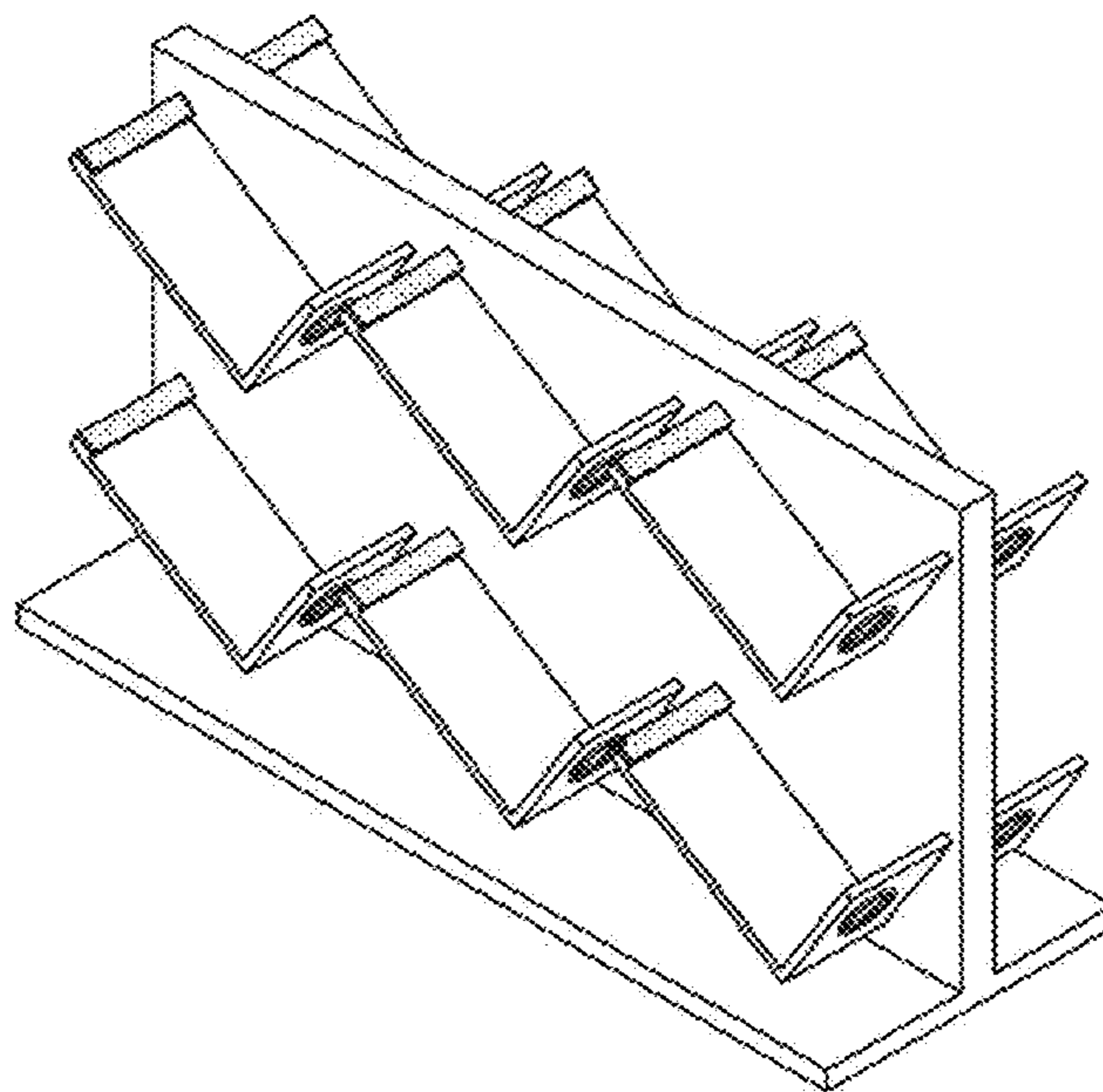
The ornamental design for an in-line bottle rack, as shown and described.

**DESCRIPTION**

FIG. 1 is a perspective view of a free-standing, double-sided in-line bottle rack, showing my design; FIG. 2 is a perspective view thereof, in use condition; FIG. 3 is a front view thereof; FIG. 4 is a rear view thereof; FIG. 5 is an end view thereof; FIG. 6 is an opposing end view thereof; FIG. 7 is a top view thereof; and, FIG. 8 is a bottom view thereof.

The broken lines showing the environment are for illustrative purposes only and form no part of the claimed design.

**1 Claim, 6 Drawing Sheets**



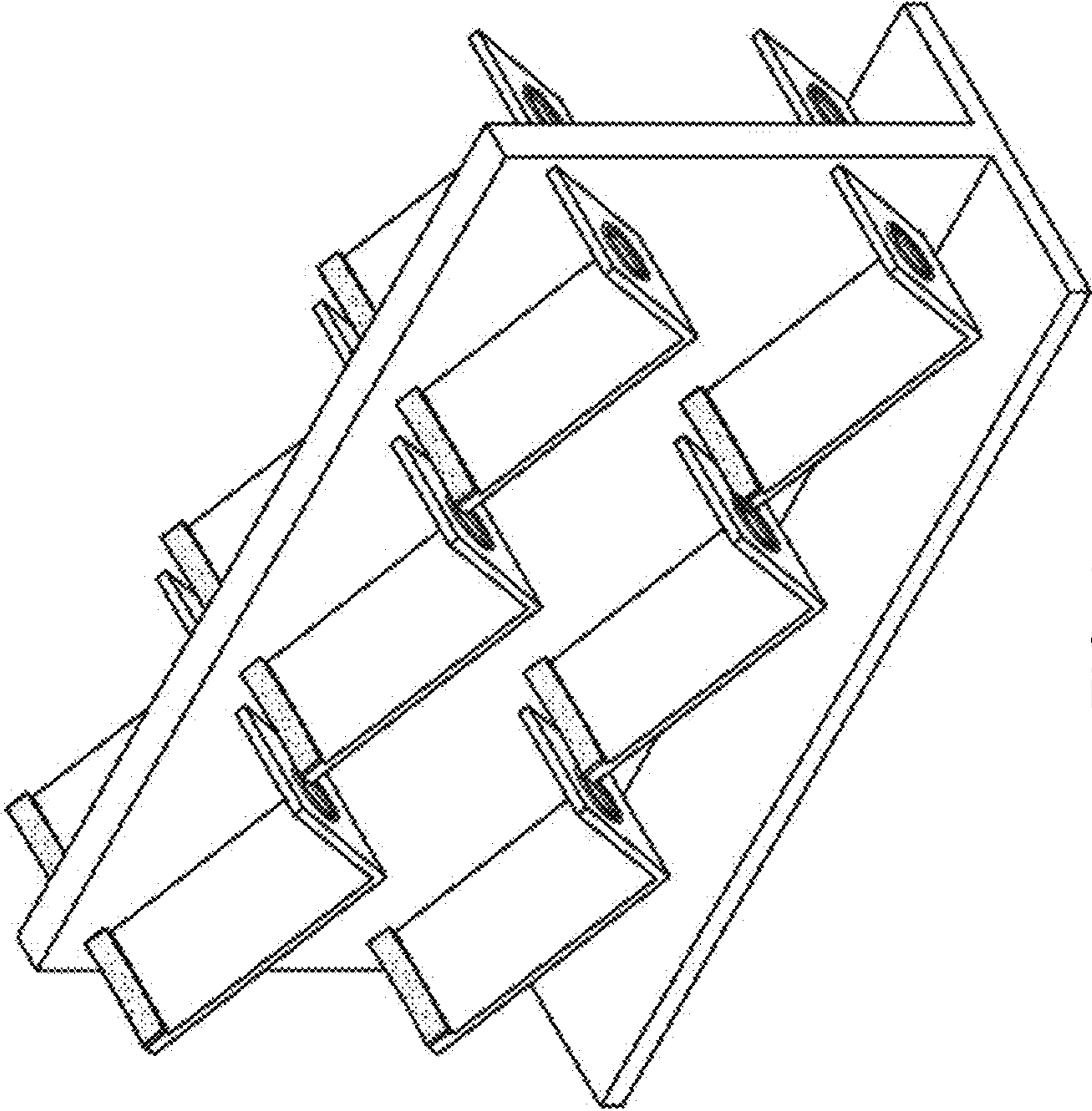


FIG. 1

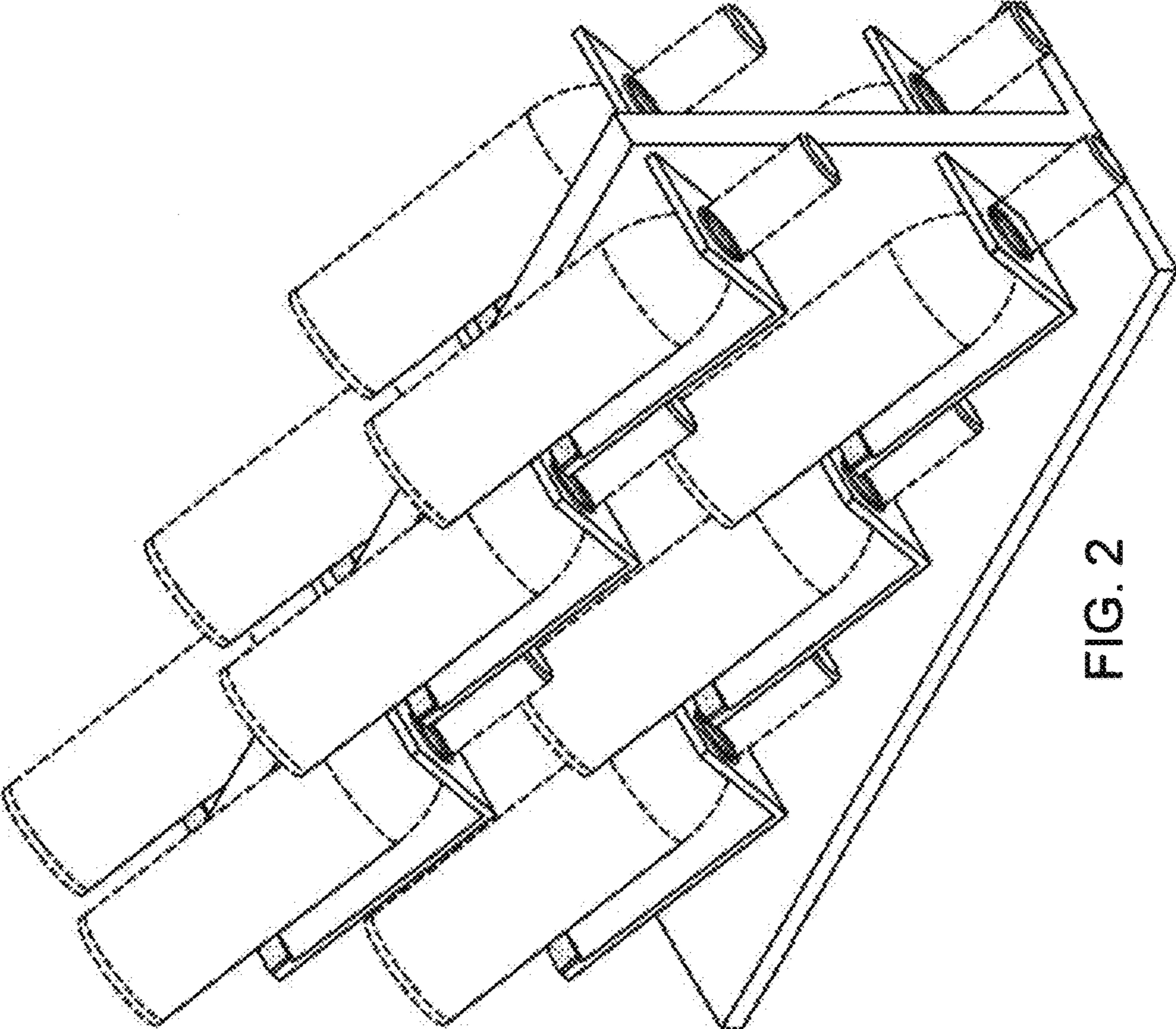


FIG. 2

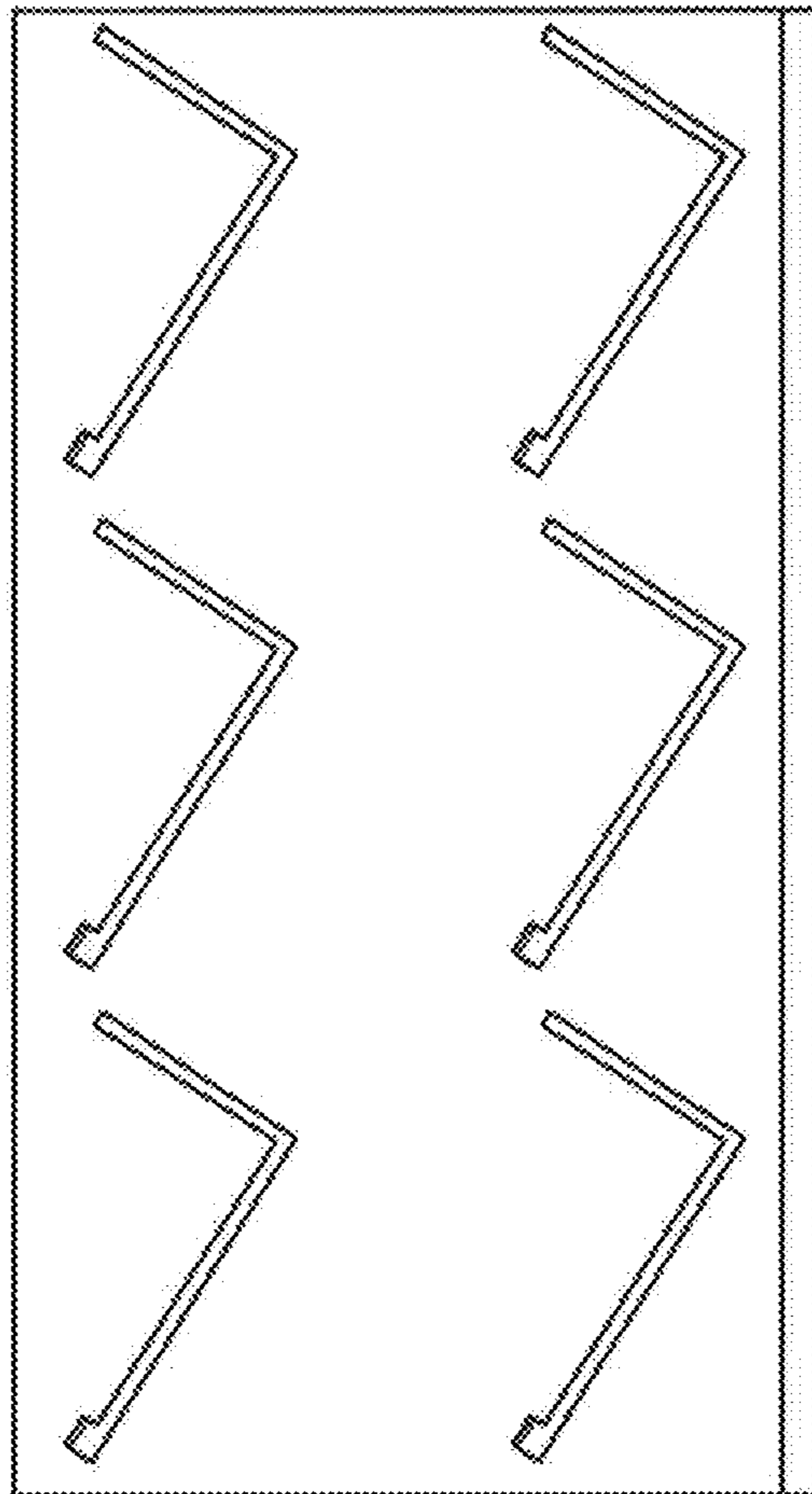


FIG. 3

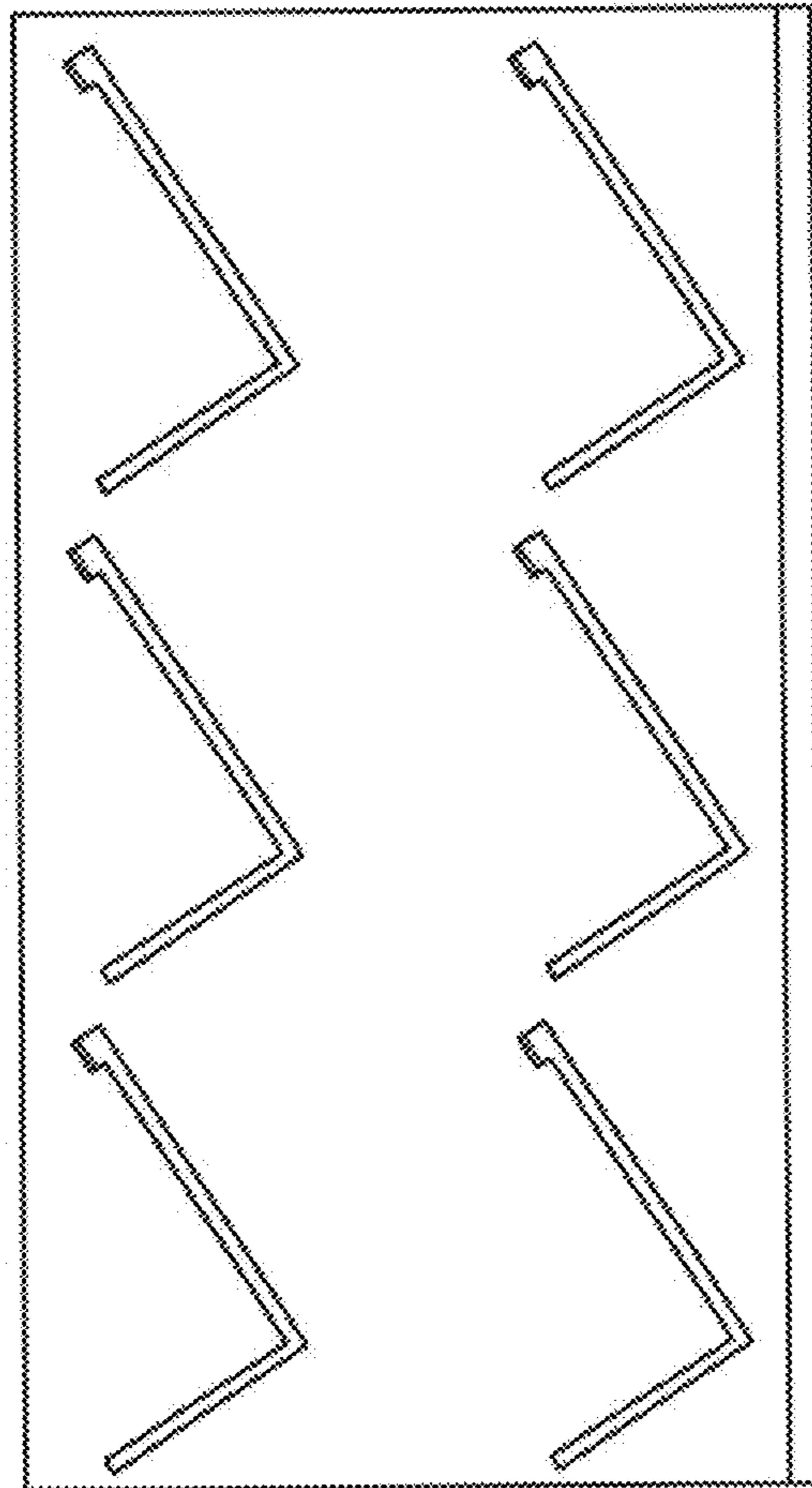


FIG. 4

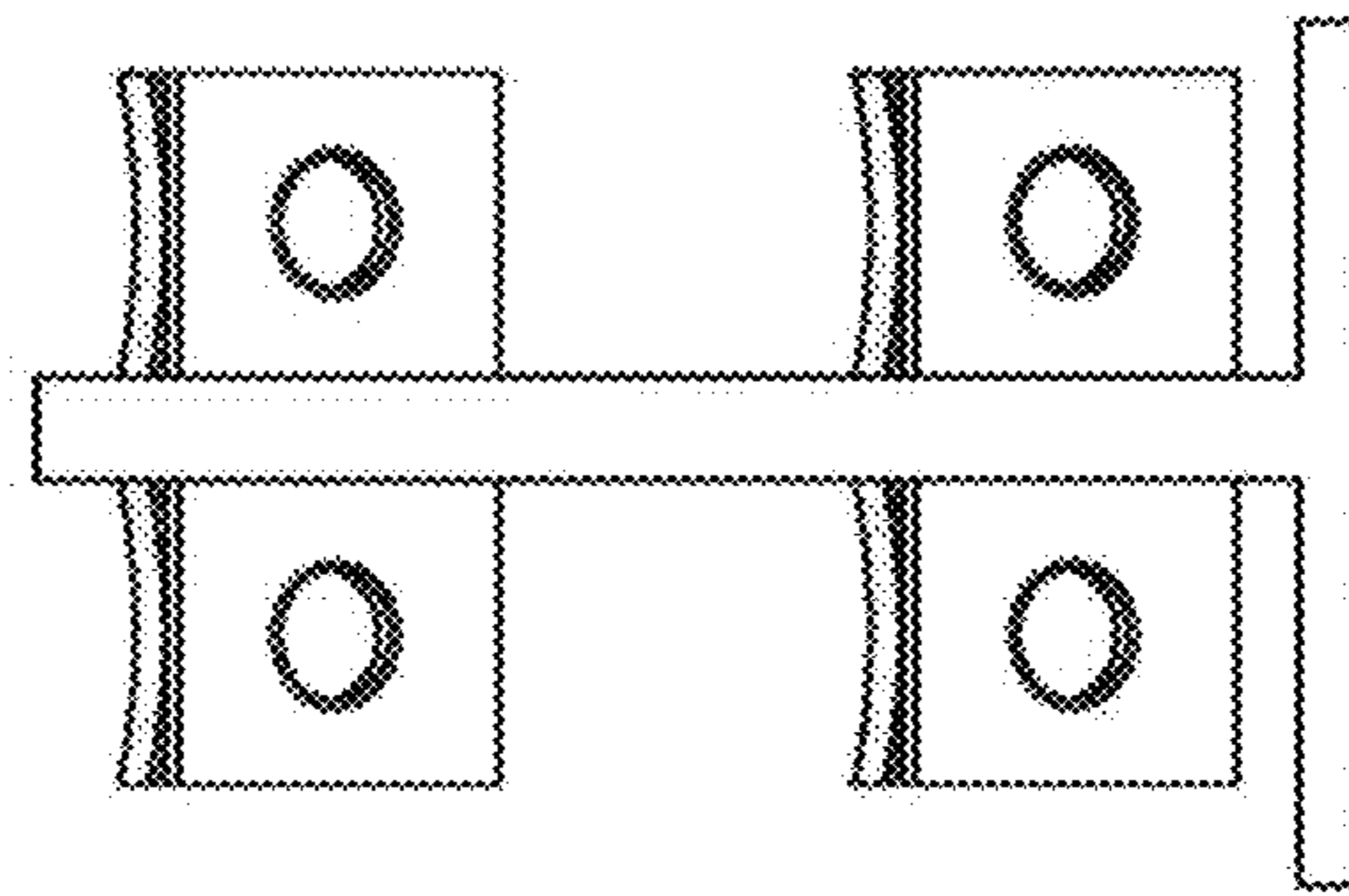


FIG. 6

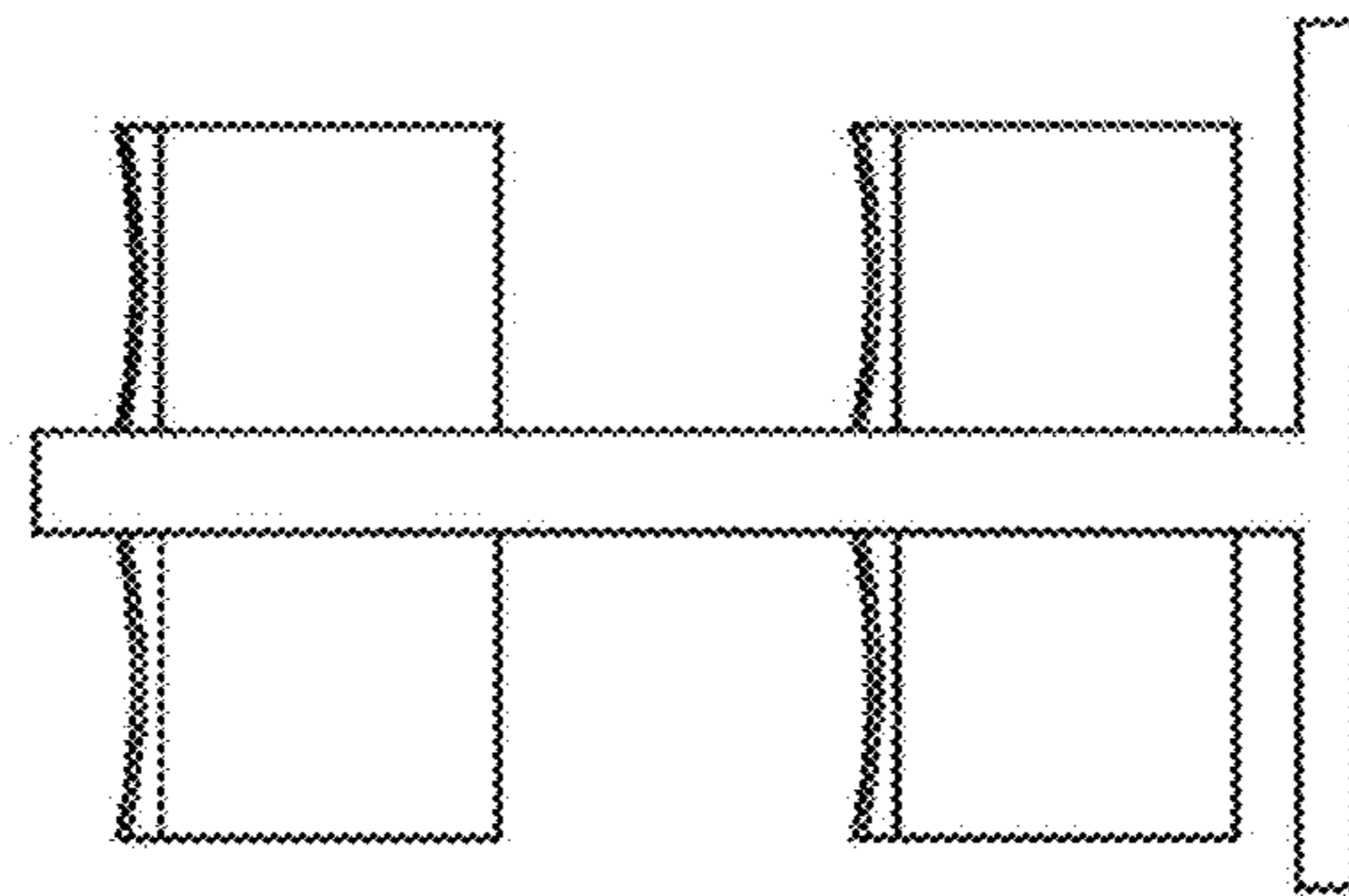


FIG. 5

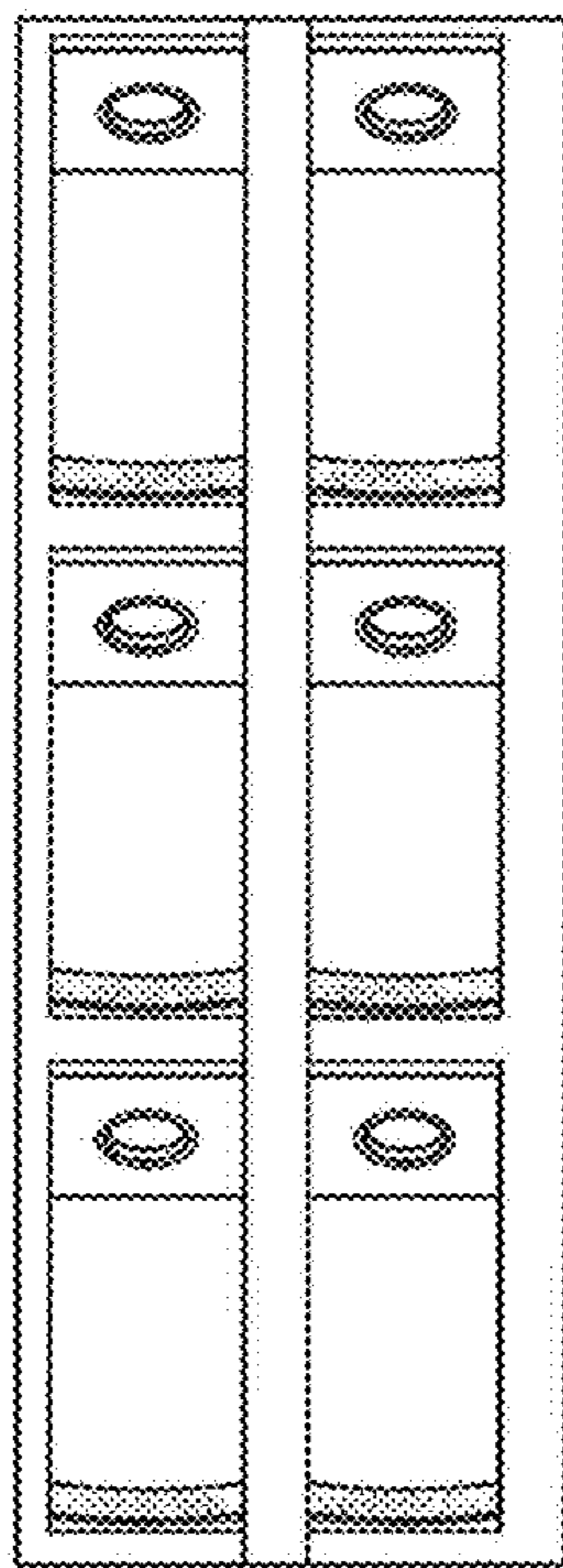


FIG. 7



FIG. 8