



US00D805857S

(12) **United States Design Patent** (10) **Patent No.:** **US D805,857 S**
Mei (45) **Date of Patent:** **** Dec. 26, 2017**

(54) **LUNCH BOX**

(71) Applicant: **TAISHAN RUNCHENG PLASTICS CO., LTD**, Taishan (CN)

(72) Inventor: **Jingjian Mei**, Taishan (CN)

(73) Assignee: **TAISHAN RUNCHENG PLASTICS CO., LTD** (CN)

(**) Term: **15 Years**

(21) Appl. No.: **29/580,681**

(22) Filed: **Oct. 12, 2016**

(51) **LOC (10) Cl.** **09-07**

(52) **U.S. Cl.**
USPC **D7/629**

(58) **Field of Classification Search**
USPC D7/332-334, 352-355, 357, 359-360,
D7/362-365, 367-368, 372, 376-378,
D7/381-384, 386, 402, 407, 412, 602,
D7/605, 611, 629, 669; D9/420,
D9/424-426, 503-504, 643, 756-757,
D9/761-762

CPC .. A21B 3/13; A21B 5/023; A47J 27/60; A47J
27/62; A47J 3704/06; A47J 3704/067;
A47J 3704/0605; A47J 3704/0611; A47J
3704/0623; A47J 3704/0629; A47J
3704/0676; A47J 2037/06; A47J
2037/0611; F24C 15/10; F24C 15/102;
H05B 6/02; H05B 6/062

See application file for complete search history.

(56) **References Cited**

U.S. PATENT DOCUMENTS

D363,879 S * 11/1995 Krupa D9/423
D397,610 S * 9/1998 Cooper D9/425
5,897,011 A * 4/1999 Brilliant B65D 43/162
220/266
D536,992 S * 2/2007 Garg D9/425
D551,975 S * 10/2007 Gomoll D9/435
D591,148 S * 4/2009 Parikh D7/629

D592,018 S * 5/2009 Back D7/629
D601,014 S * 9/2009 Petitjean D9/426
D628,474 S * 12/2010 Snedden D9/426
D633,332 S * 3/2011 Sarnoff D7/354
D633,333 S * 3/2011 Sarnoff D7/354

(Continued)

OTHER PUBLICATIONS

8"X8"X3" Clear Plastic Containers, posted at Ebay.com, no posting date given, site visited Mar. 28, 2017, <<http://www.ebay.com/itm/8-X8-X3-CLEAR-PLASTIC-CONTAINERS-HINGED-LID-FOOD-SALAD-TAKE-OUT-10-BOXES-/272480277794>>.*

(Continued)

Primary Examiner — Barbara Fox

Assistant Examiner — Messina L Smith

(74) *Attorney, Agent, or Firm* — Schmeiser, Olsen & Watts, LLP

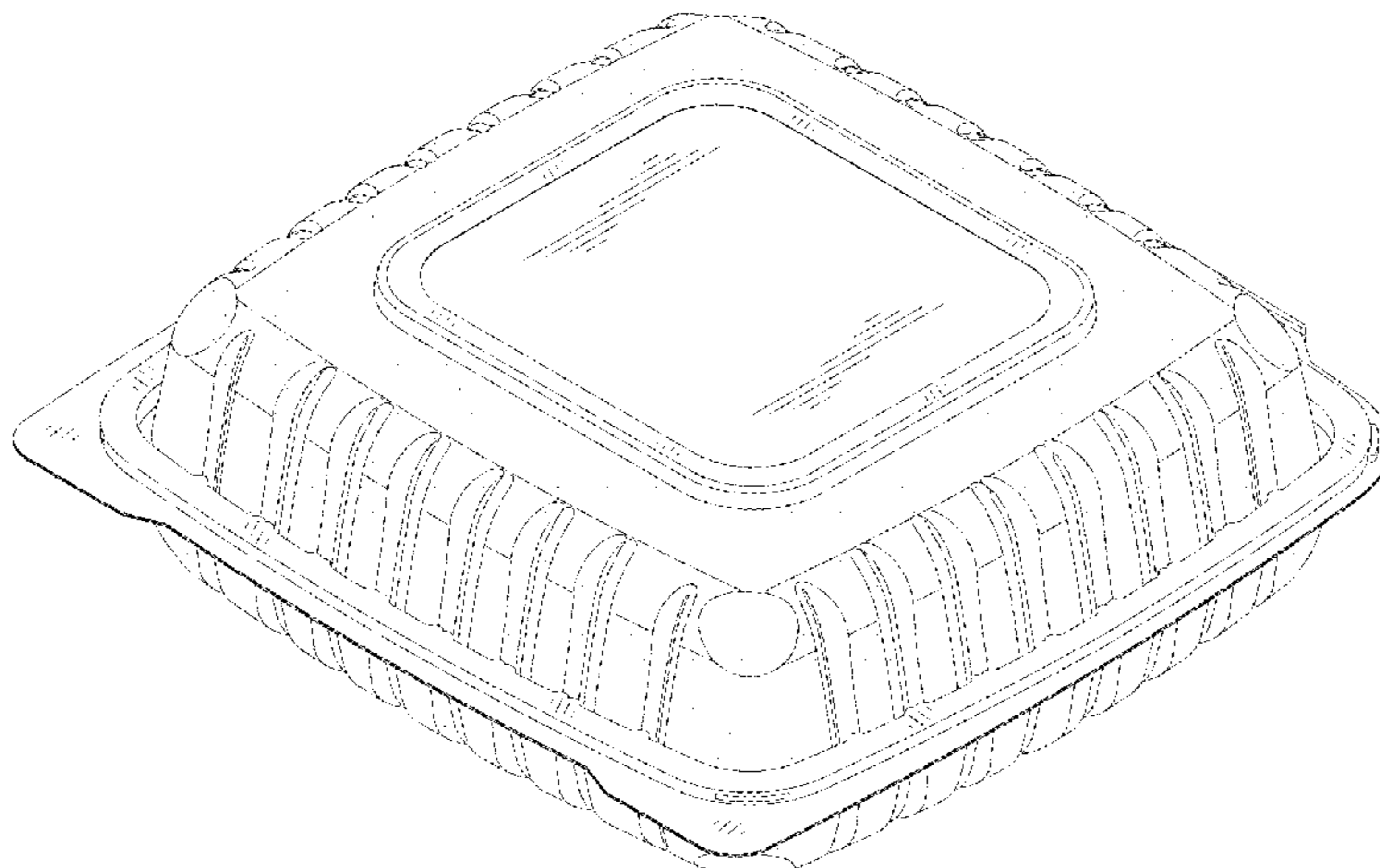
(57) **CLAIM**

The ornamental design for a lunch box, as shown and described.

DESCRIPTION

FIG. 1 is a top front perspective view of a lunch box showing my new design;
FIG. 2 is a top view thereof;
FIG. 3 is a bottom view thereof;
FIG. 4 is a side view thereof, the other side view being a mirror image thereof;
FIG. 5 is a back view thereof;
FIG. 6 is a front view thereof;
FIG. 7 is a bottom back perspective view thereof;
FIG. 8 is an exploded top perspective view of FIG. 1 shown open thereof;
FIG. 9 is an enlarged view of the portion of the lunch box shown in FIG. 3; and,
FIG. 10 is an enlarged view of the portion of the lunch box shown in FIG. 8.

1 Claim, 10 Drawing Sheets



(56)

References Cited

U.S. PATENT DOCUMENTS

D668,536 S * 10/2012 Sanfilippo D9/423
 D681,446 S * 5/2013 Schuler D9/420
 D683,623 S * 6/2013 Chen D9/423
 D694,619 S * 12/2013 Pham D9/426
 D749,412 S * 2/2016 Hu D9/426
 2005/0247709 A1 * 11/2005 Atkins B65D 1/36
 220/4.23
 2006/0081641 A1 * 4/2006 Habeger B65D 21/0219
 220/839
 2010/0320210 A1 * 12/2010 Cimmerer B65D 75/22
 220/367.1
 2015/0069064 A1 * 3/2015 Johnson B65D 43/162
 220/324

OTHER PUBLICATIONS

Durable Packaging PXT-880 8" x 8" x 3" Clear Hinged Lid Plastic Container, posted at Webstaurantstore.com, posted on Jul. 30, 2015, site visited Mar. 28, 2017, <<http://www.webstaurantstore.com/durable-packaging-pxt-880-8-x-8-x-3-clear-hinged-lid-plastic-container-125-pack/999PXT880.html>>.*

Dart® Clear Seal® OPS Plastic Square Food Container Clear, posted at PJPmarket.com, posted on Feb. 3, 2016, site visited Mar. 28, 2017, <https://www.pjpmarketplace.com/dartr-hinged-lid-container-ops-5in-clear.html?m=simple&gclid=Cj0KEQjwk-jGBRCbxoPLId_bp-IBeiQAgJafTQnT59n-qXnfN76ZNgI6SJvP6AcJJnxLWq-UbBu-SjMaAkyg8P8HAQ>.*

* cited by examiner

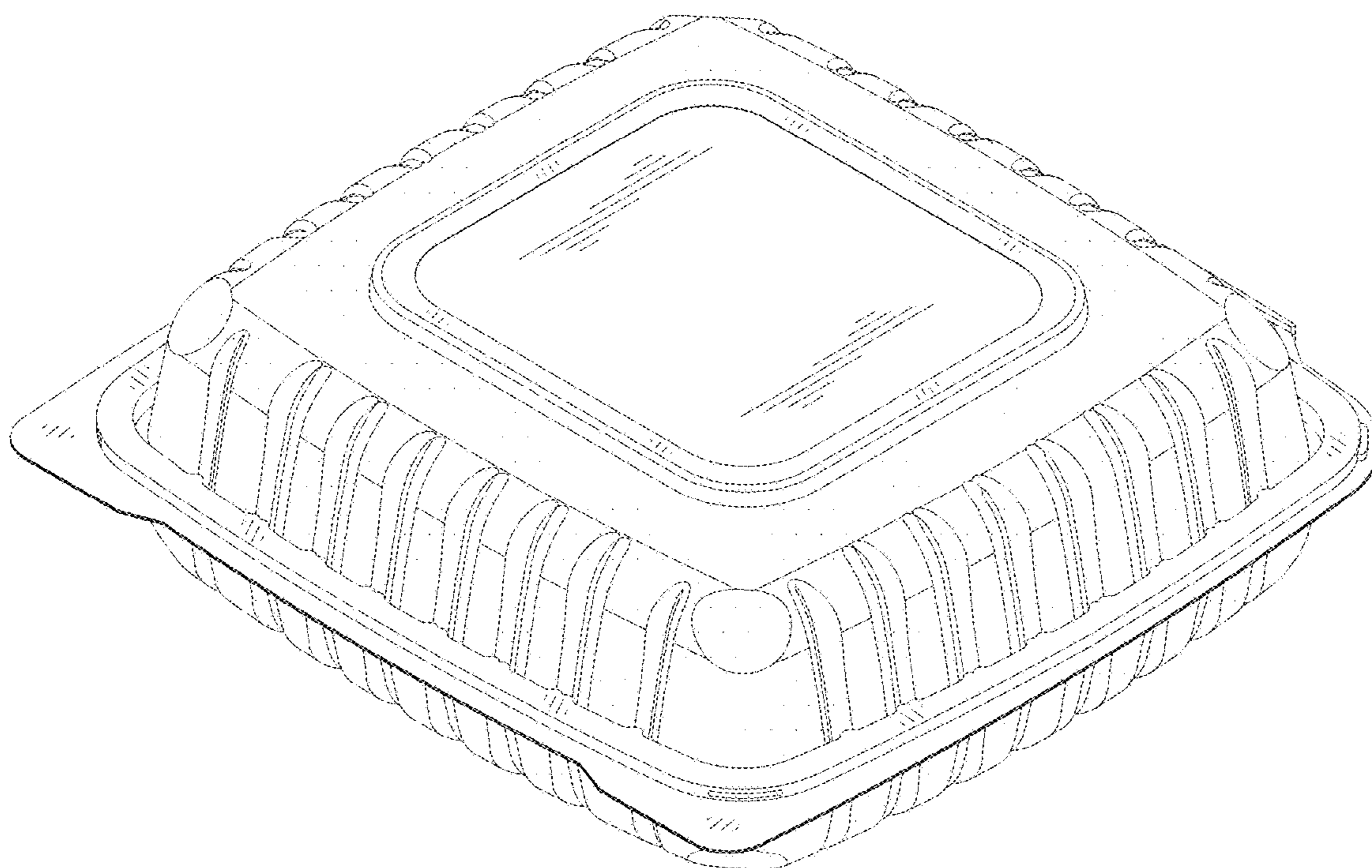


FIG. 1

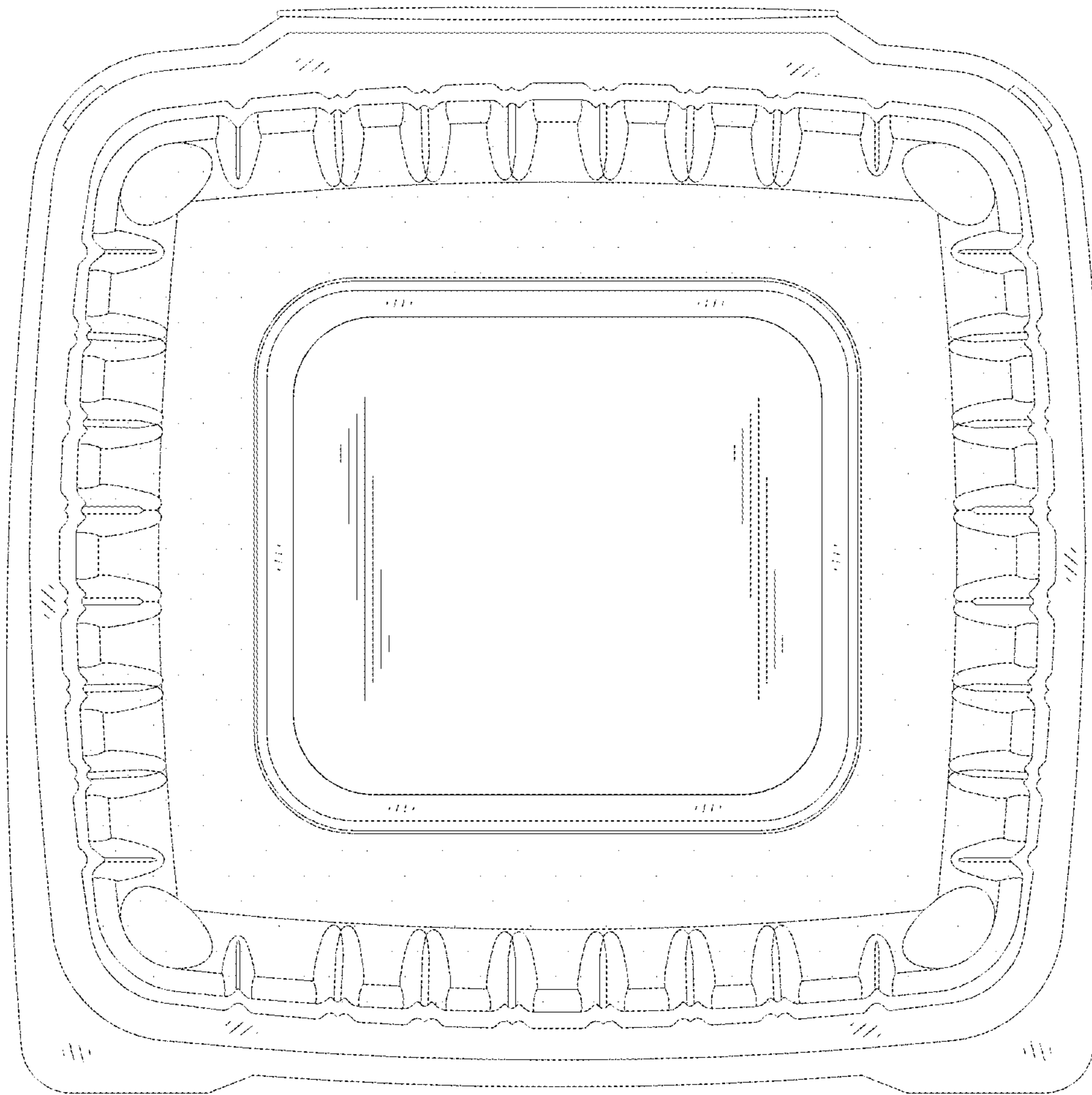


FIG. 2

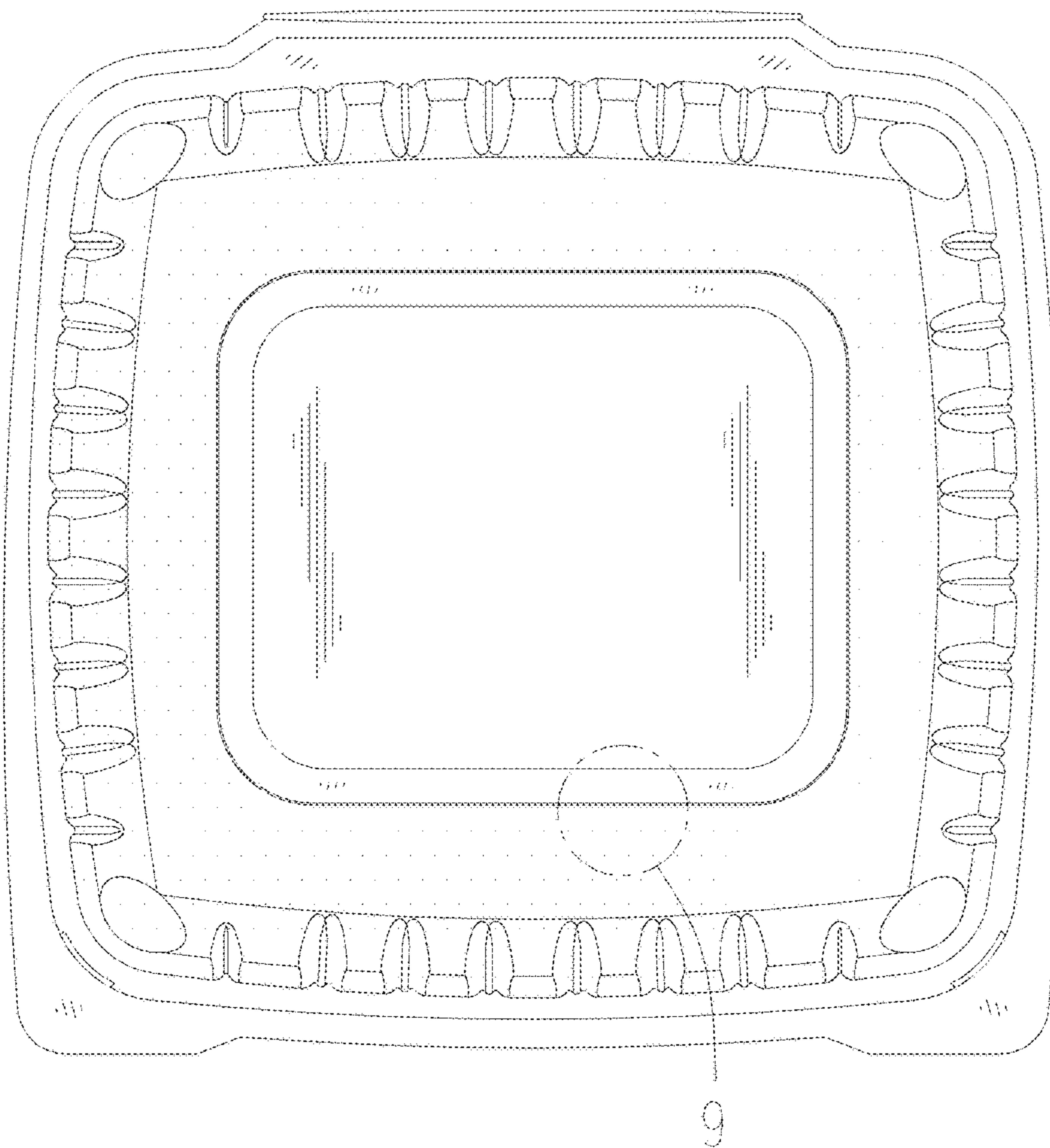


FIG. 3

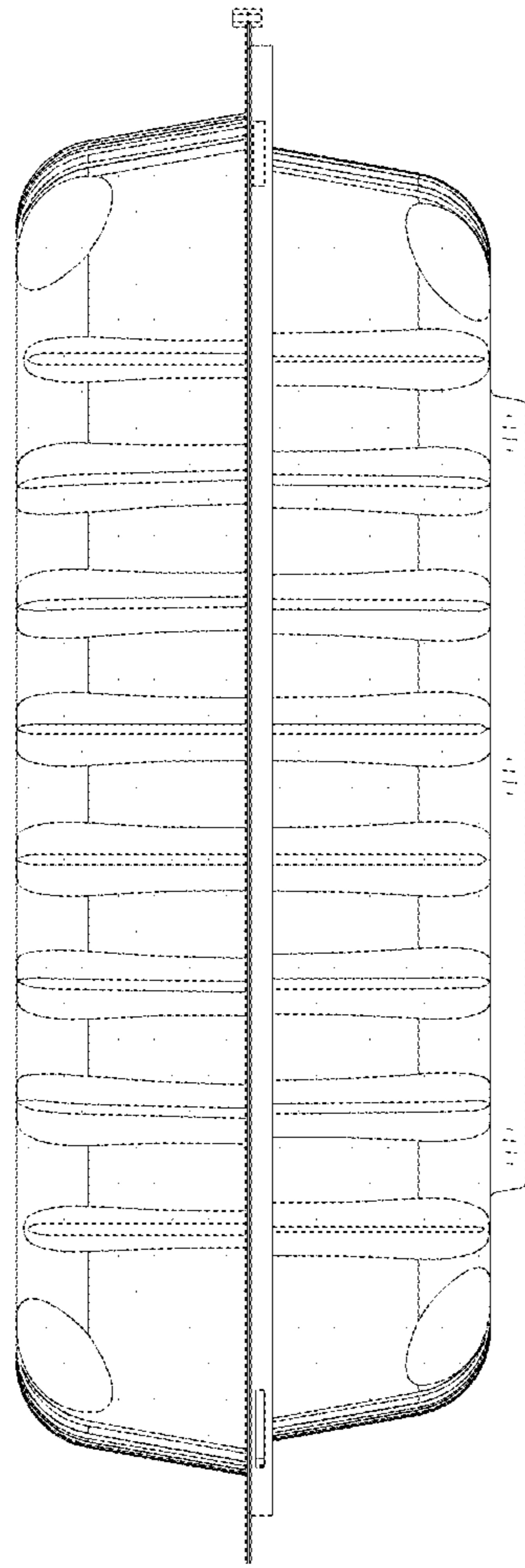


FIG. 4

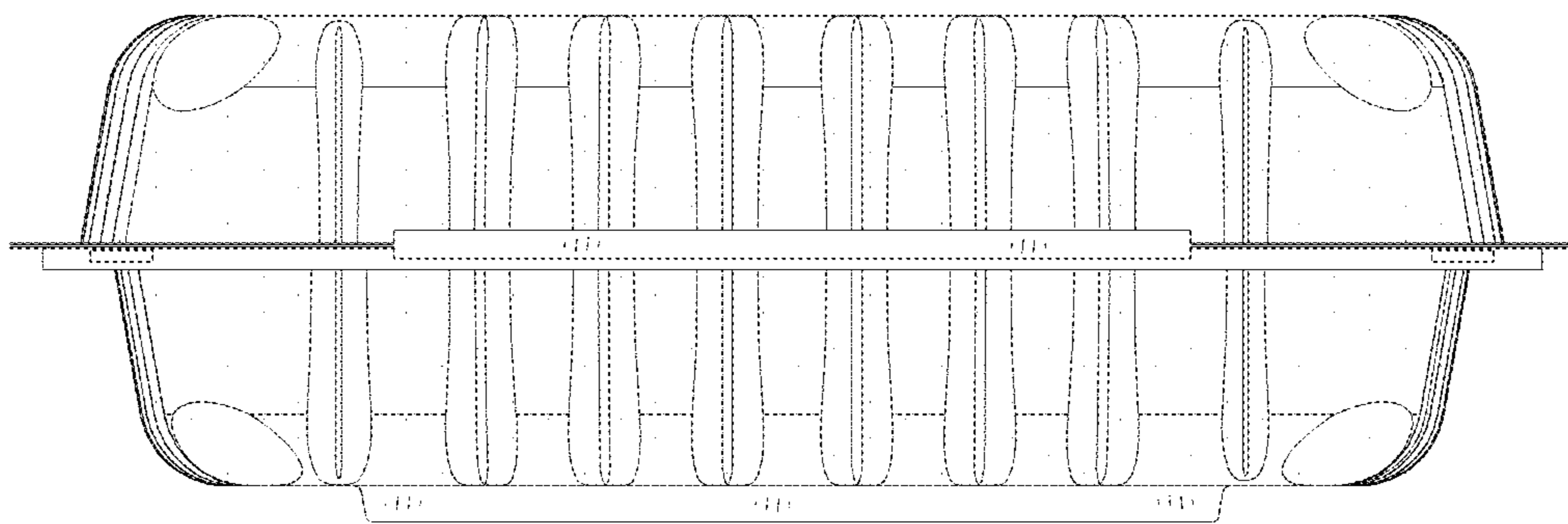


FIG. 5

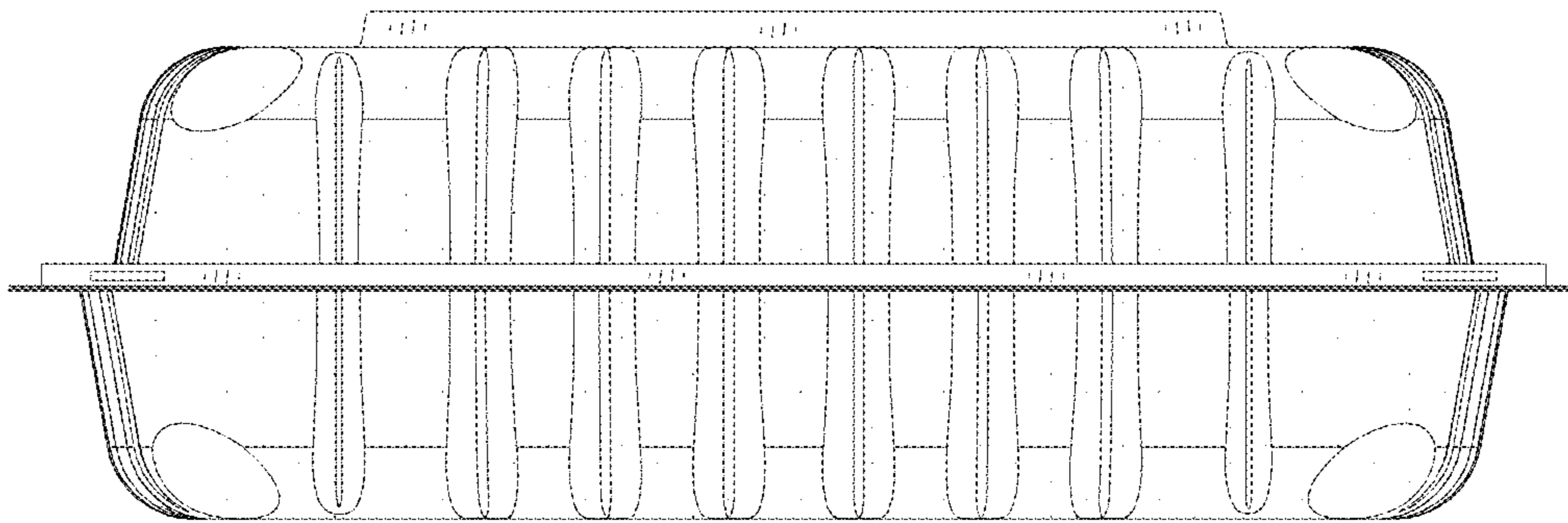


FIG. 6

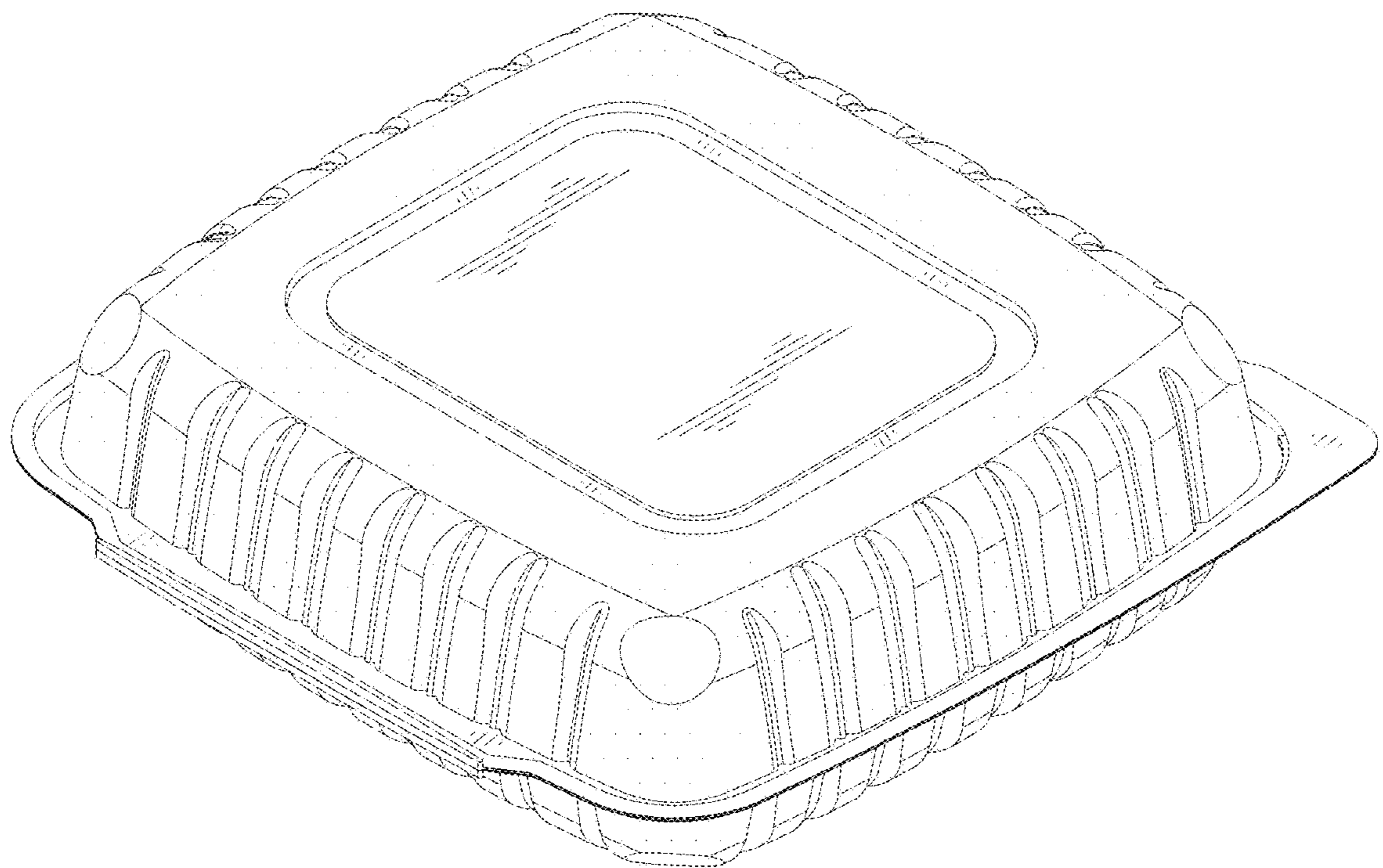


FIG. 7

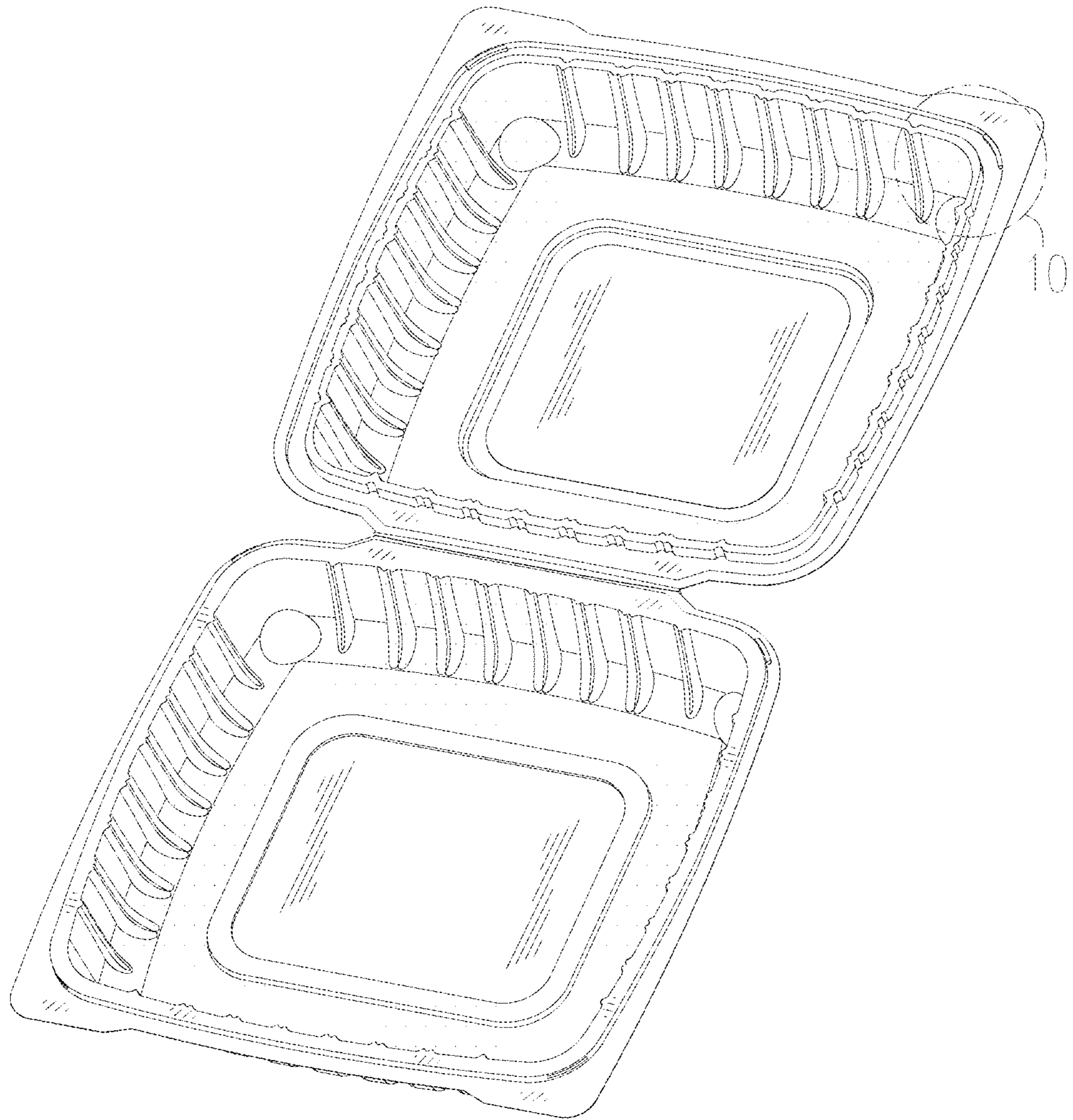


FIG. 8

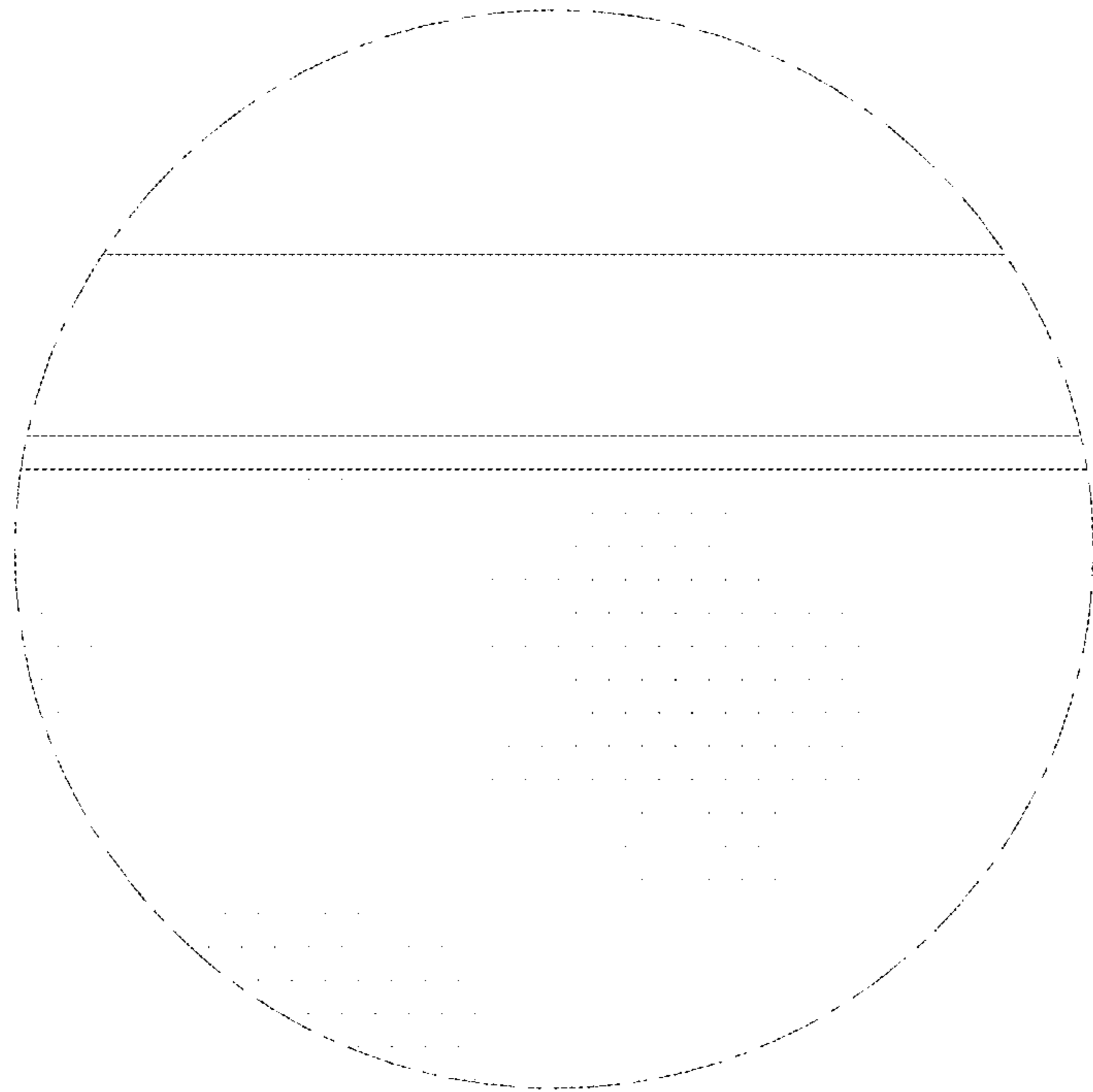


FIG. 9

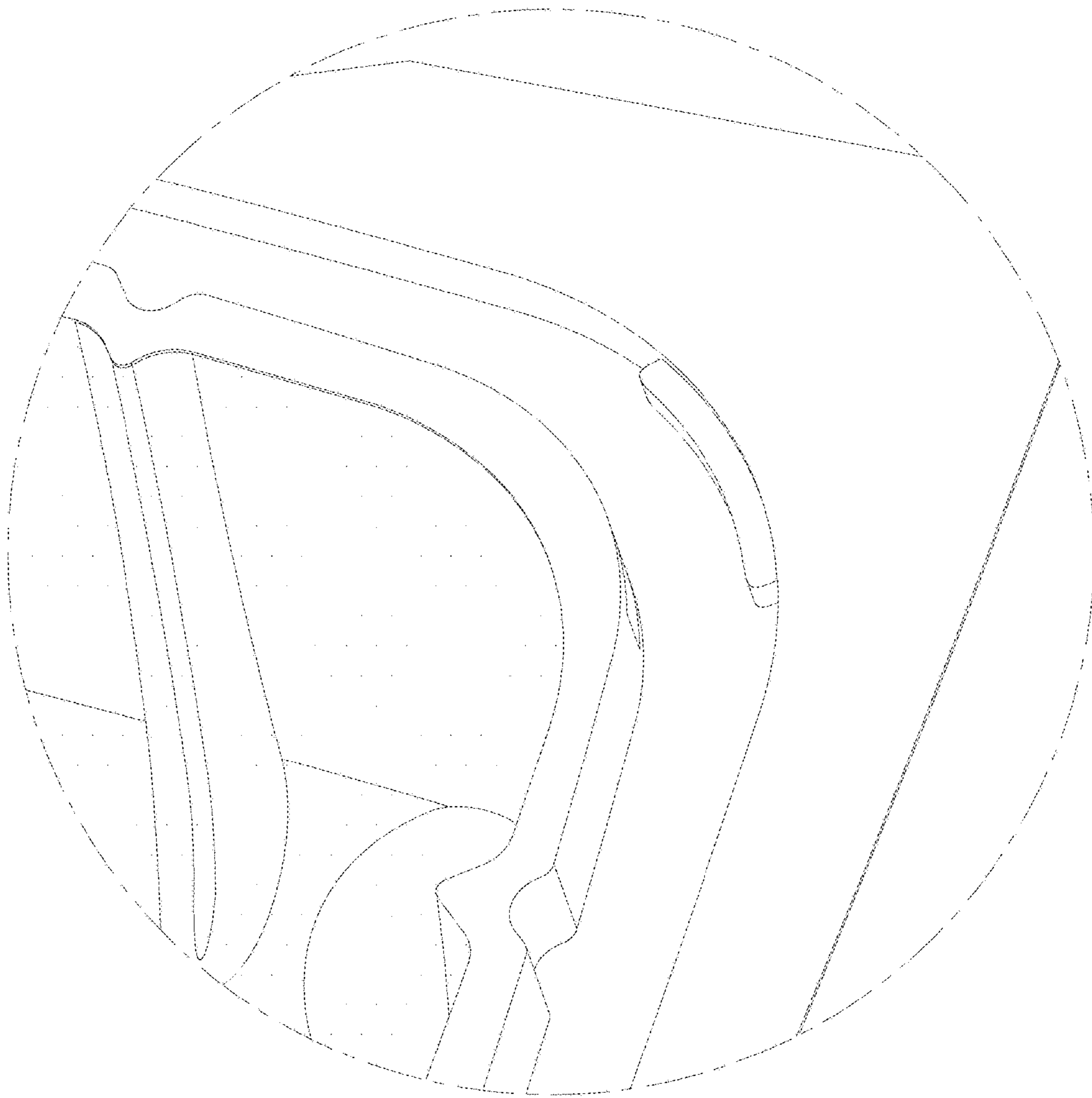


FIG. 10