



US00D805855S

(12) **United States Design Patent** (10) **Patent No.:** **US D805,855 S**
Adams, IV et al. (45) **Date of Patent:** **** Dec. 26, 2017**

(54) **CUP HOLDER**

(71) Applicant: **Adams Mfg. Corp.**, Portersville, PA (US)

(72) Inventors: **William E. Adams, IV**, Harmony, PA (US); **Matthew Goodworth**, Pittsburgh, PA (US); **Shlomo Snir**, Cranberry Township, PA (US)

(73) Assignee: **Adams Mfg. Corp.**, Portersville, PA (US)

(**) Term: **15 Years**

(21) Appl. No.: **29/561,700**

(22) Filed: **Apr. 19, 2016**

(51) **LOC (10) Cl.** **07-06**

(52) **U.S. Cl.**
USPC **D7/620**

(58) **Field of Classification Search**
USPC D6/410, 411, 462, 546, 548, 553, 567, D6/574, 566, 540, 556, 512-514; 211/13.1, 26, 86.01, 119.004, 123, 124, 211/181.1, 16, 87.01, 106; 242/597.5, 242/597.7, 597.8; 248/127, 153, 175, 248/176.1, 200.1, 302, 309.1, 206.2, 108, 248/103, 107; D7/107, 704, 619, 620; D32/58, 59

CPC B60N 3/102; B60N 3/101; B60N 3/103; B60R 7/04; A47G 23/0216

See application file for complete search history.

(56) **References Cited**

U.S. PATENT DOCUMENTS

D228,994 S * 11/1973 Reinecke D6/545
4,474,354 A 10/1984 Field
4,697,780 A * 10/1987 Wenkman F16M 13/02
248/311.2
4,989,742 A * 2/1991 Powell A47G 19/06
206/549

D345,084 S * 3/1994 Williams D7/553.8
D353,742 S * 12/1994 Lewis D7/549
5,457,911 A * 10/1995 Vollink A47G 7/044
248/225.21
D389,999 S * 2/1998 Daigle D3/201
5,745,565 A 4/1998 Wakefield
5,950,856 A * 9/1999 Cinque A47G 19/065
220/23.4
D453,647 S * 2/2002 Gottwald D6/540
(Continued)

FOREIGN PATENT DOCUMENTS

DE 202004021532 11/2008

OTHER PUBLICATIONS

Gracious Living Cup Holder for Adirondack Chairs; <https://www.lowes.ca/1/1/287639-cup-holder-adirondack-chairs>, dated Mar. 11, 2016.

Primary Examiner — David G Muller
Assistant Examiner — Nathan M Johnston
(74) *Attorney, Agent, or Firm* — Buchanan Ingersoll & Rooney PC

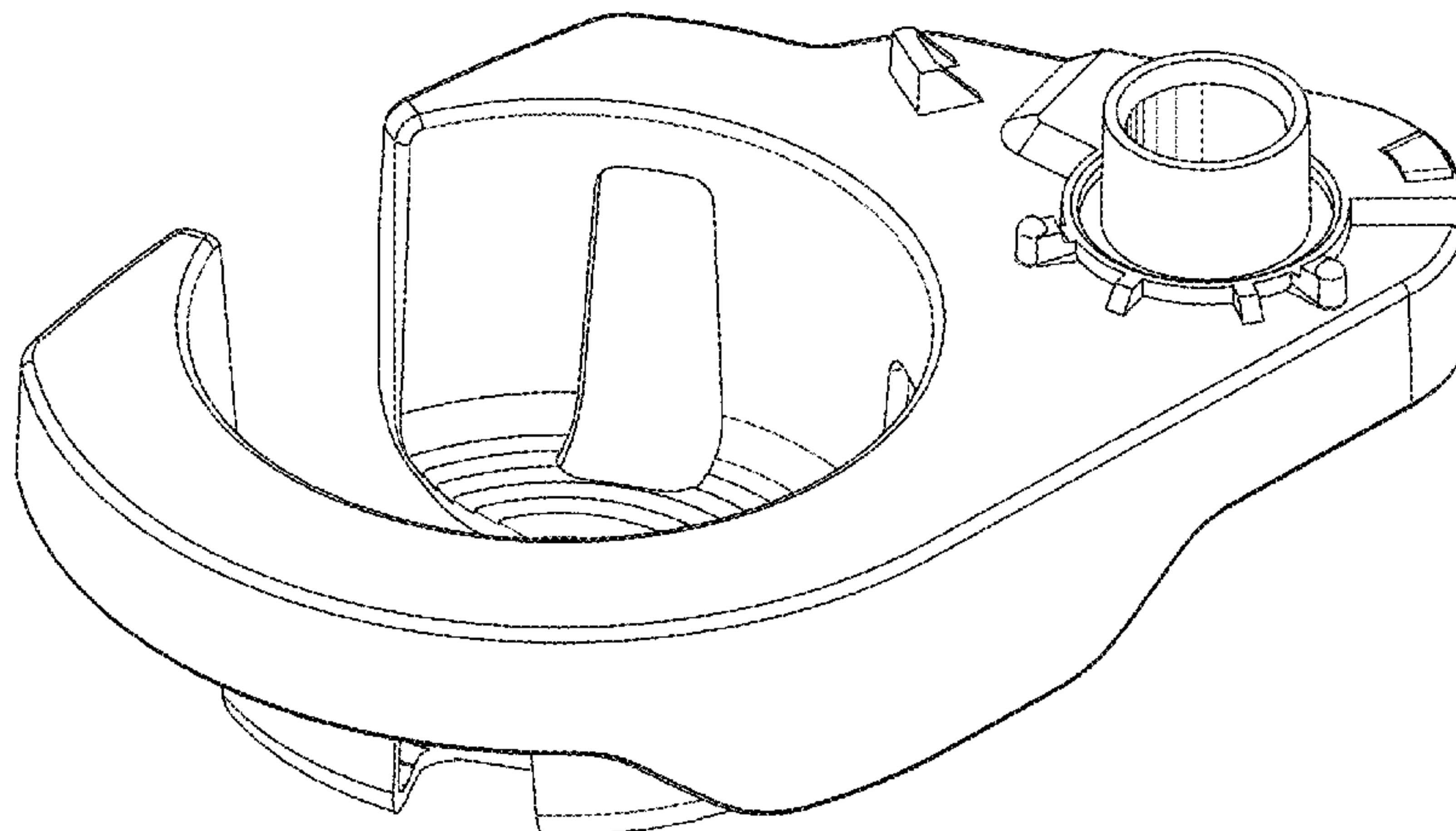
(57) **CLAIM**

The ornamental design for a cup holder, as shown and described.

DESCRIPTION

FIG. 1 is a front perspective view of a cup holder, FIG. 2 is a rear perspective view thereof, FIG. 3 is a top plan view thereof; FIG. 4 is a front elevation view thereof; FIG. 5 is a right side elevation view thereof; FIG. 6 is a left side elevation view thereof; FIG. 7 is a rear elevation view thereof; FIG. 8 is a bottom plan view thereof; and, FIG. 9 is a perspective view thereof. The dot dash lines are shown for environmental purposes only and form no part of the claimed design.

1 Claim, 5 Drawing Sheets



(56)

References Cited

U.S. PATENT DOCUMENTS

6,361,105	B1	3/2002	Turner et al.	
7,036,784	B2	5/2006	Peitzmeier et al.	
RE39,392	E	11/2006	Bergin	
D546,823	S	7/2007	Dayan	
D569,156	S *	5/2008	Hefner	D6/567
7,530,632	B2	5/2009	Kaloustian et al.	
D604,564	S *	11/2009	Walter	D7/620
D646,558	S *	10/2011	Murray	D8/373
8,182,031	B1	5/2012	MacKenzie	
8,636,319	B1	1/2014	Parker, Jr.	
2004/0222345	A1 *	11/2004	Lindsay	B60N 3/103 248/311.2
2006/0061155	A1	3/2006	Stenson	
2011/0121619	A1	5/2011	Chappell	

* cited by examiner

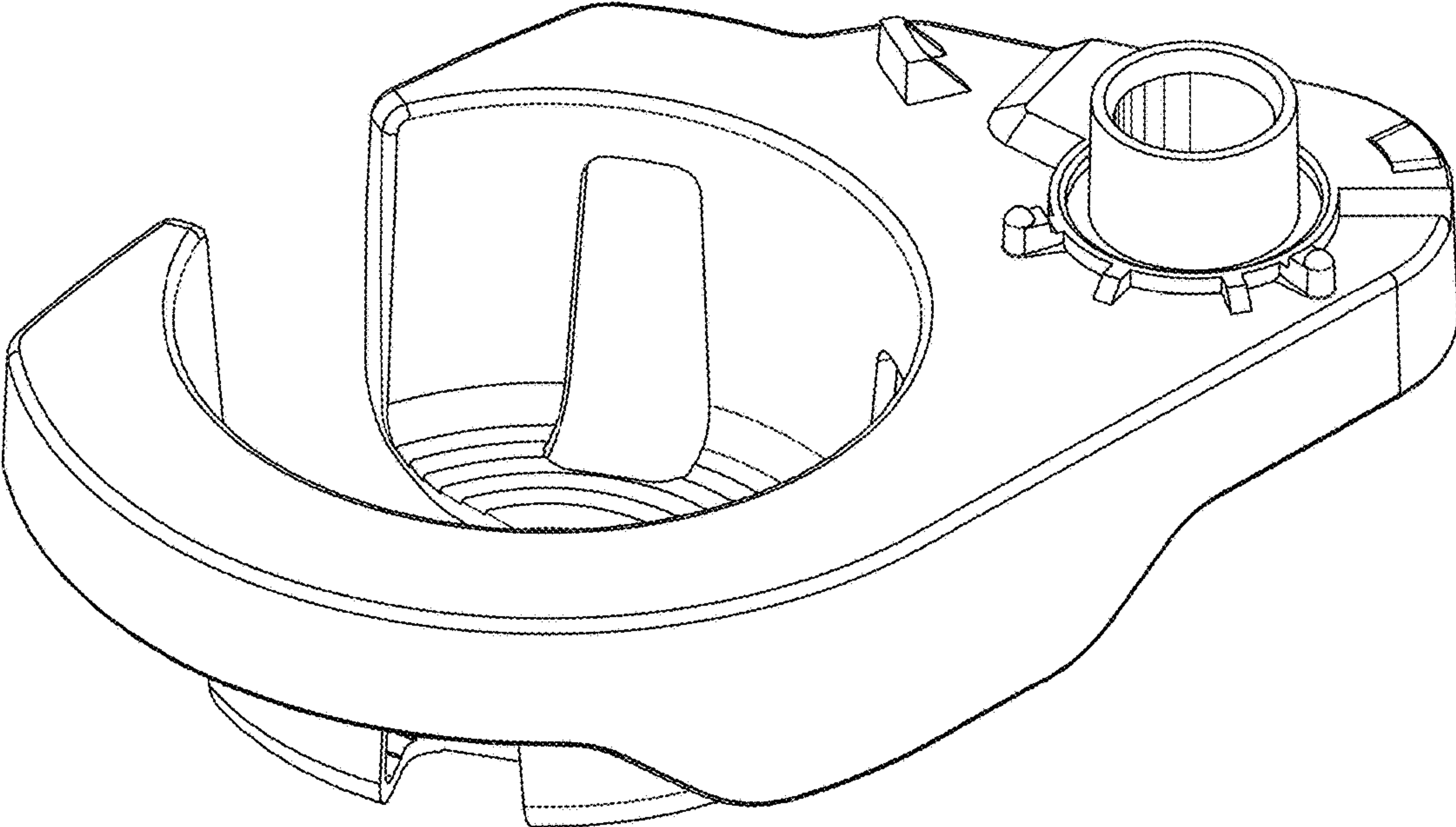


FIG. 1

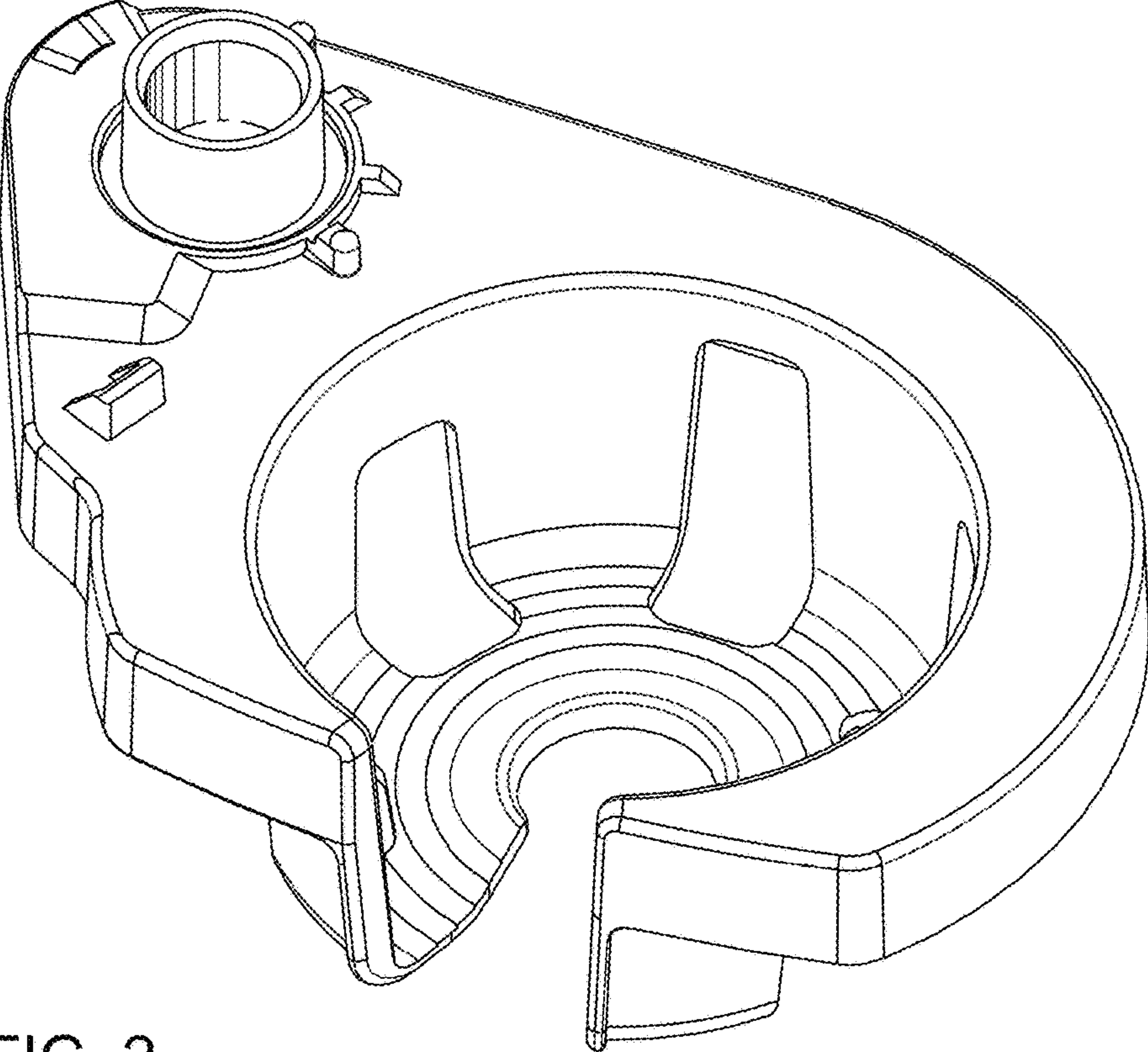


FIG. 2

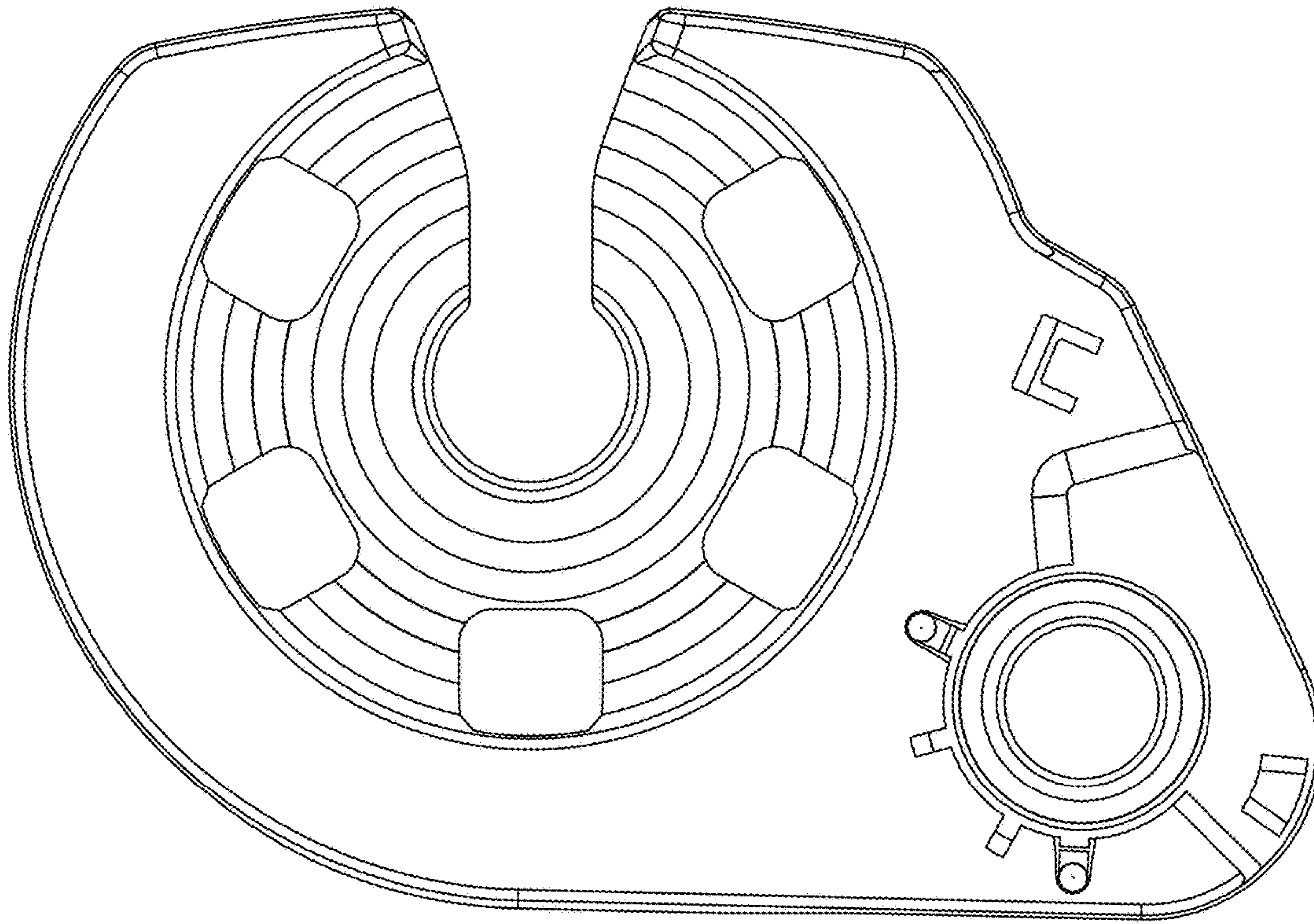


FIG. 3

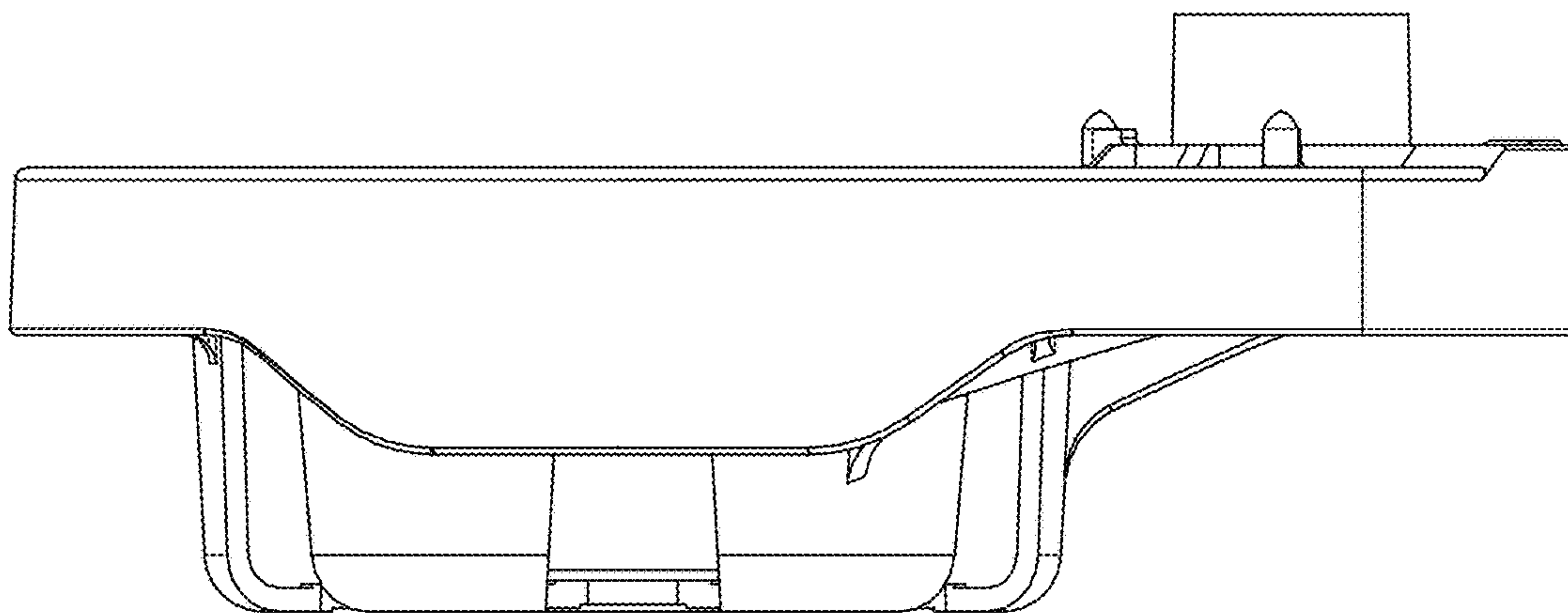


FIG. 4

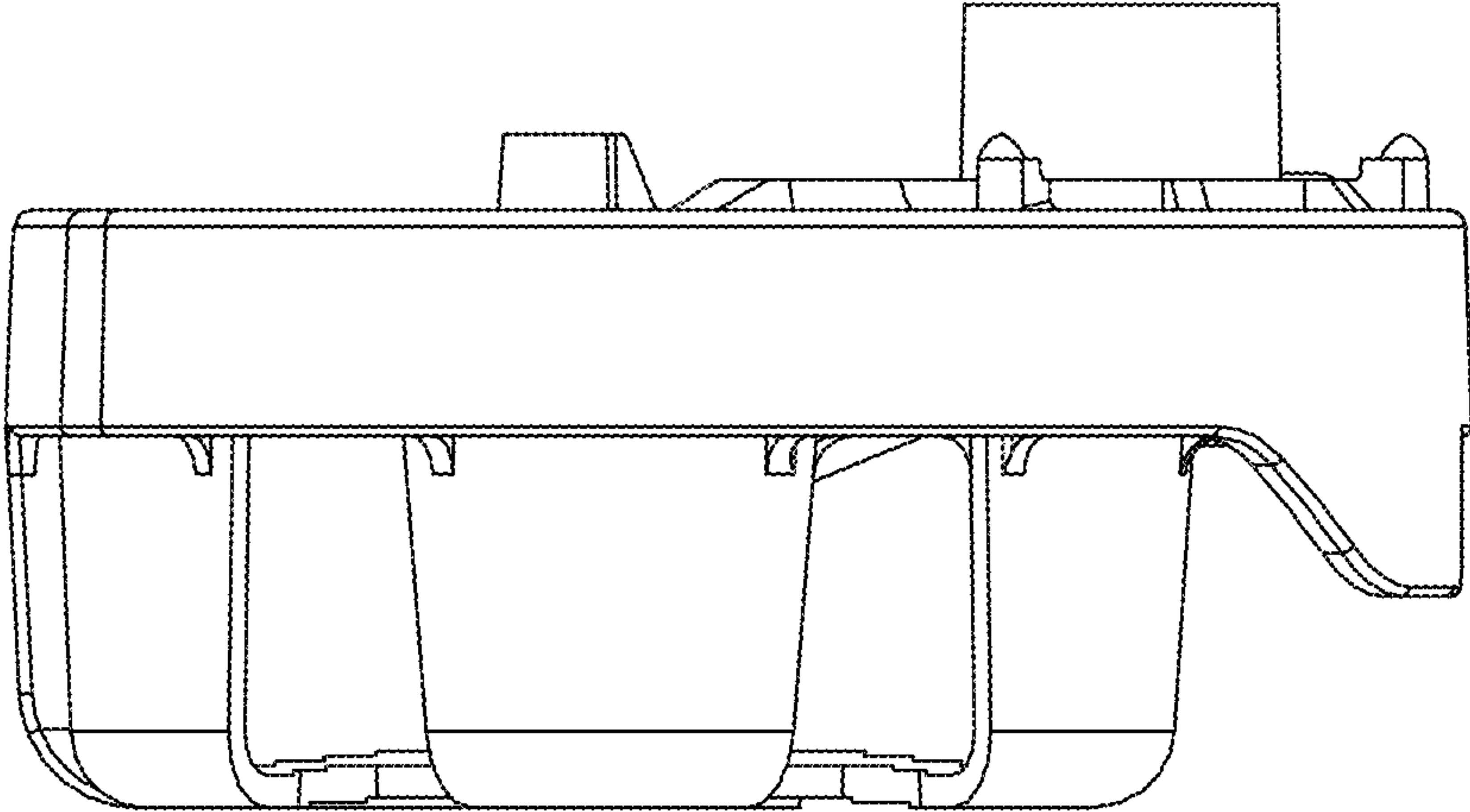


FIG. 5

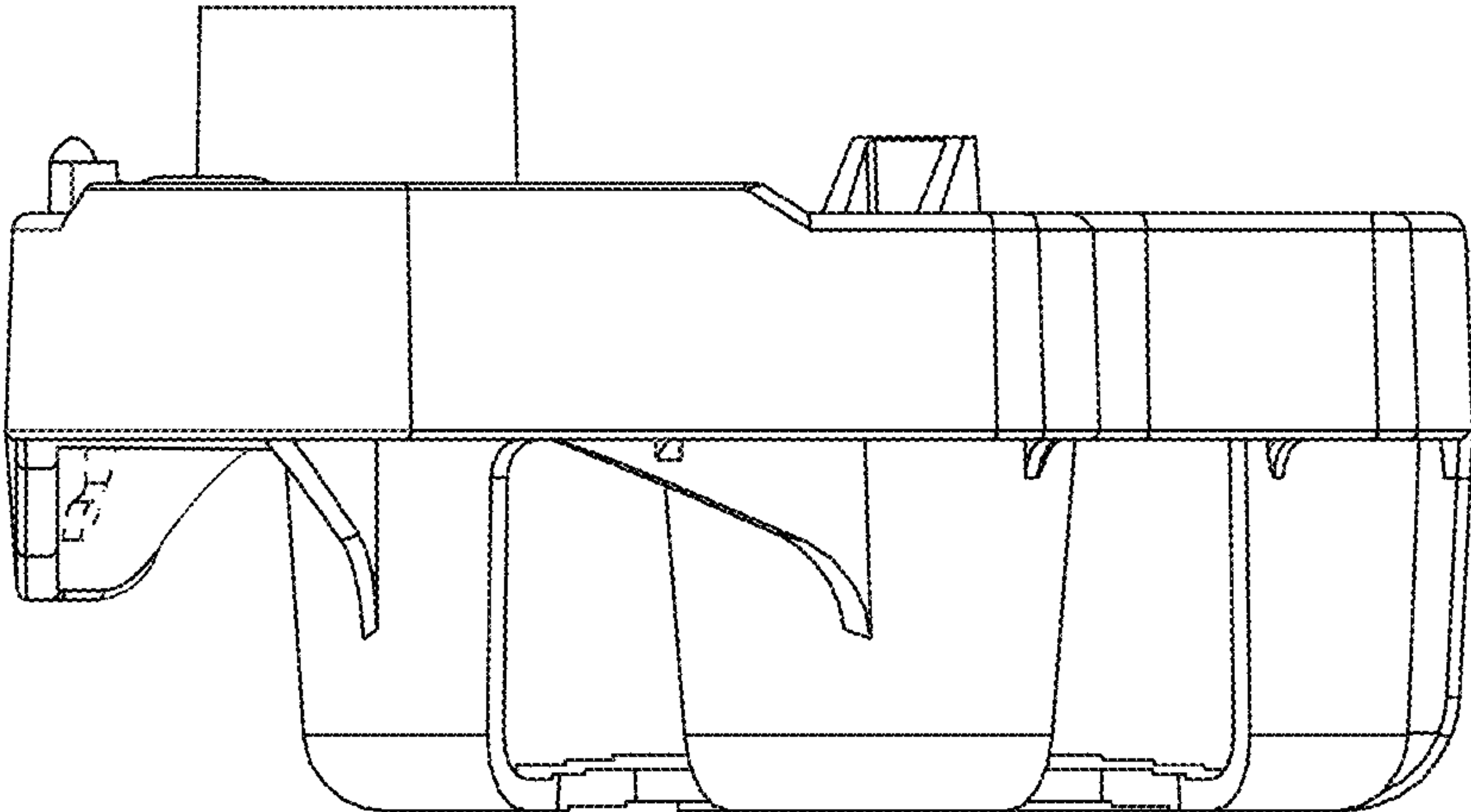


FIG. 6

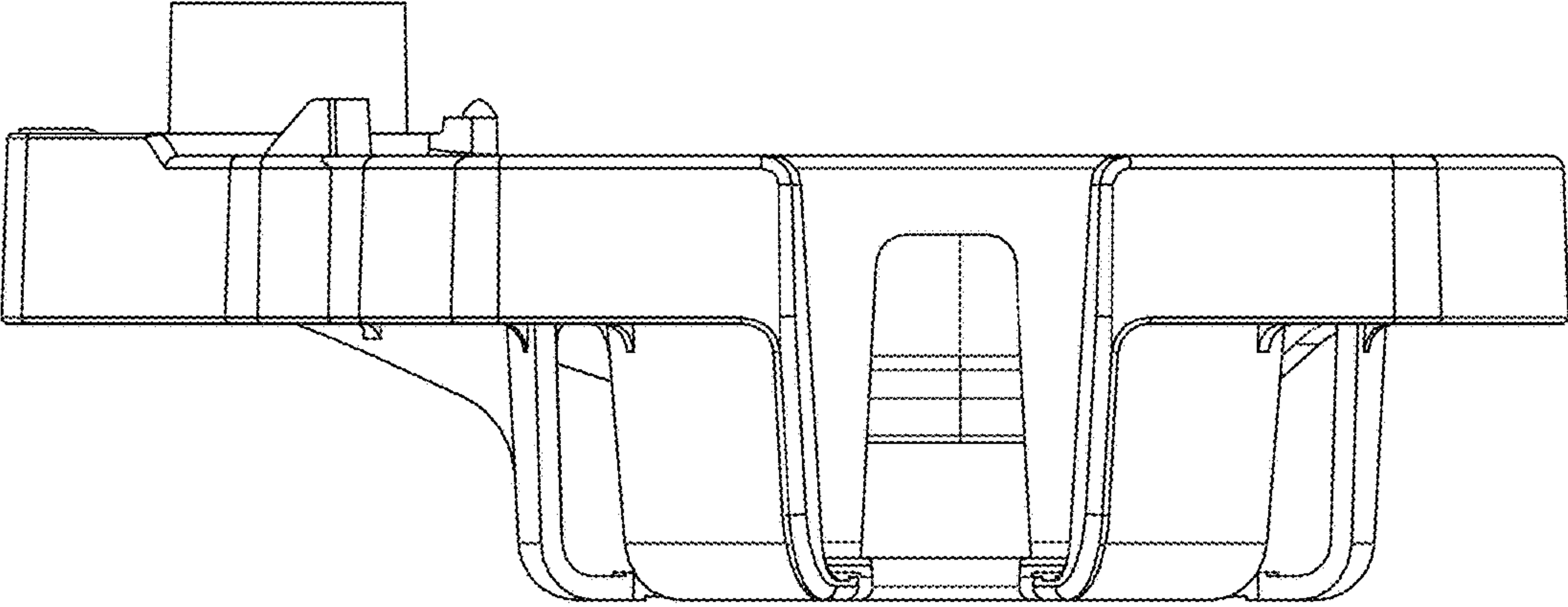


FIG. 7

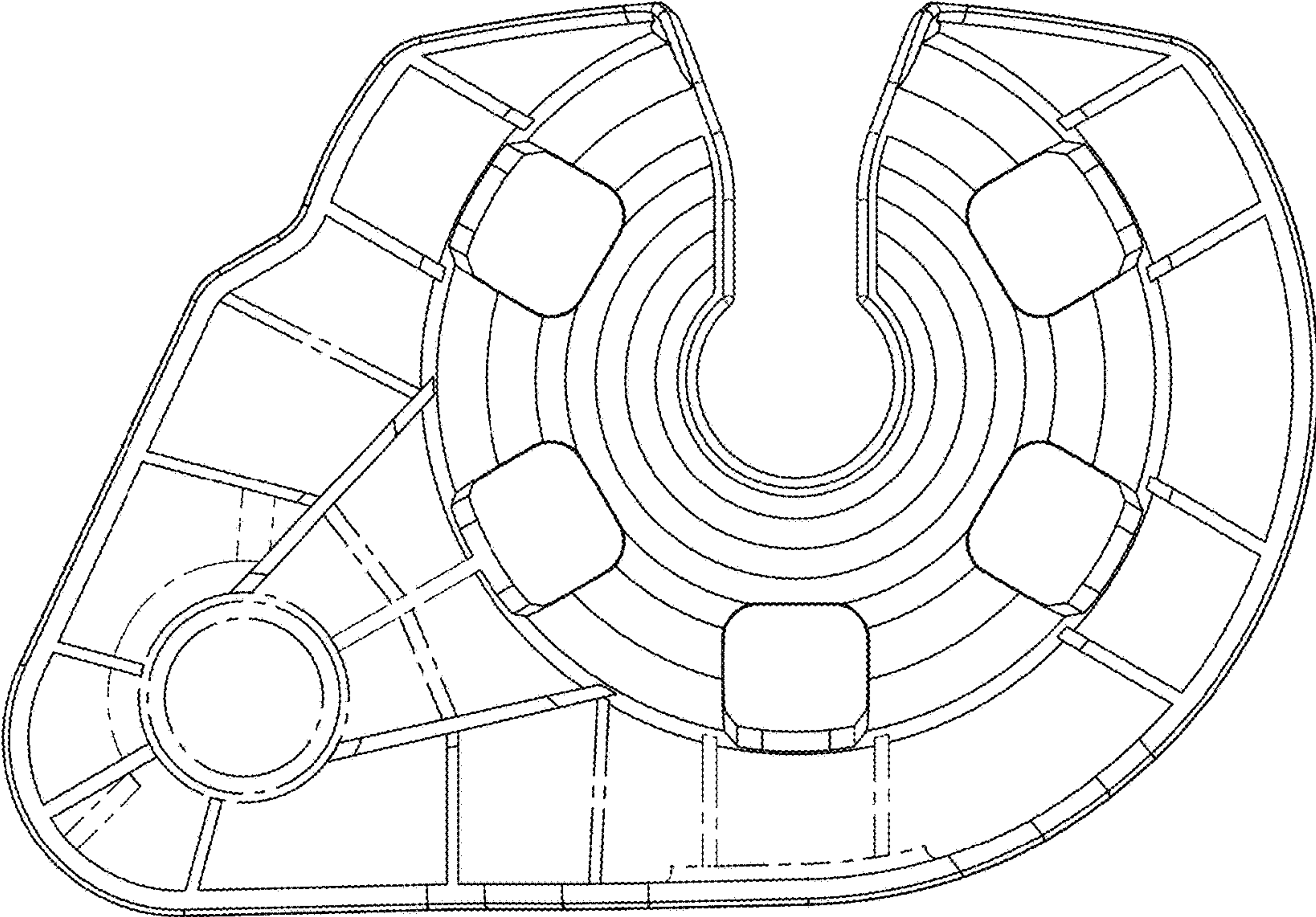


FIG. 8

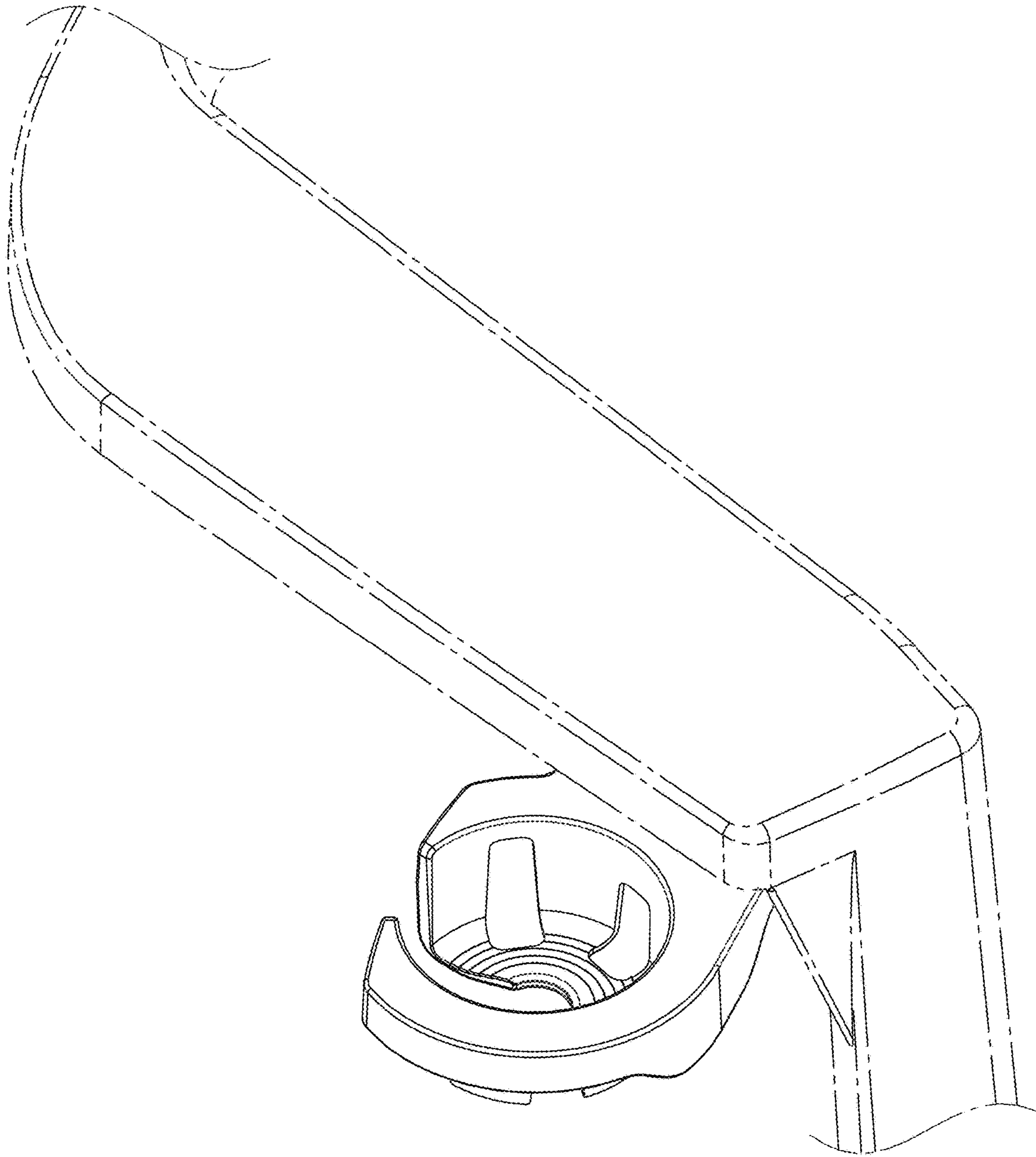


FIG. 9