



US00D805854S

(12) **United States Design Patent** (10) **Patent No.:** **US D805,854 S**  
**Waskow** (45) **Date of Patent:** **\*\* Dec. 26, 2017**

(54) **THERMALLY INSULATED CUP WITH INTEGRATED GRIP**

(71) Applicant: **Bryan Waskow**, Decorah, IA (US)  
(72) Inventor: **Bryan Waskow**, Decorah, IA (US)  
(73) Assignee: **GRIZZLY COOLERS, LLC**, Decorah, IA (US)  
(\*\*) Term: **15 Years**  
(21) Appl. No.: **29/575,008**  
(22) Filed: **Aug. 22, 2016**

**Related U.S. Application Data**

(63) Continuation-in-part of application No. 29/565,680, filed on May 24, 2016.  
(51) **LOC (10) Cl.** ..... **07-01**  
(52) **U.S. Cl.**  
USPC ..... **D7/608**; D7/510  
(58) **Field of Classification Search**  
USPC ..... D7/605–608, 509–510  
CPC ..... A47G 19/2205; A47G 19/22; A47G 19/2227; A45F 3/16; A45F 3/20; B25B 13/52; B67B 7/00; B67B 7/14; B67B 7/16; A45C 11/20; B01F 11/00; B65D 25/28; B65D 50/02  
See application file for complete search history.

(56) **References Cited**

**U.S. PATENT DOCUMENTS**

D376,729 S \* 12/1996 Maki ..... D7/509  
D457,035 S \* 5/2002 Hurlbut ..... D7/510  
D700,015 S \* 2/2014 Audet ..... D7/396.2  
D738,163 S \* 9/2015 Roth ..... B65D 81/365  
D7/514

**OTHER PUBLICATIONS**

<http://i.ebayimg.com/images/i/111838735243-0-1/s-l1000.jpg>.  
<http://d2ydh70d4b5xgv.cloudfront.net/images/f/b/stainless-steel-30-oz-travel-tumbler-double-wall-vacuum-insulated-keeps-f5d03ab4e592e667f026501ef9c1ef20.jpg>.  
<http://www.brandspiritblog.com/wp-content/uploads/2016/05/Custom-printed-Hugo-Copper-Vacuum-Insulated-Tumbler-20oz-with-company-logo-Unique-geometric-design-bottles-for-branding-gift-items-for-travel-school-outdoor-2-1024x1024.jpg?9ca58e>.  
[http://rlv.zcache.com/italian\\_manna\\_%E8%94%93%E8%8F%9C\\_stainless\\_steel\\_travel\\_mug-r97a3fd0e250d436a88ba2dd66fab55f7\\_x7j5g\\_8byvr\\_324.jpg](http://rlv.zcache.com/italian_manna_%E8%94%93%E8%8F%9C_stainless_steel_travel_mug-r97a3fd0e250d436a88ba2dd66fab55f7_x7j5g_8byvr_324.jpg).

\* cited by examiner

*Primary Examiner* — Terry A Wallace

(74) *Attorney, Agent, or Firm* — Raj Abhyanker, P.C.

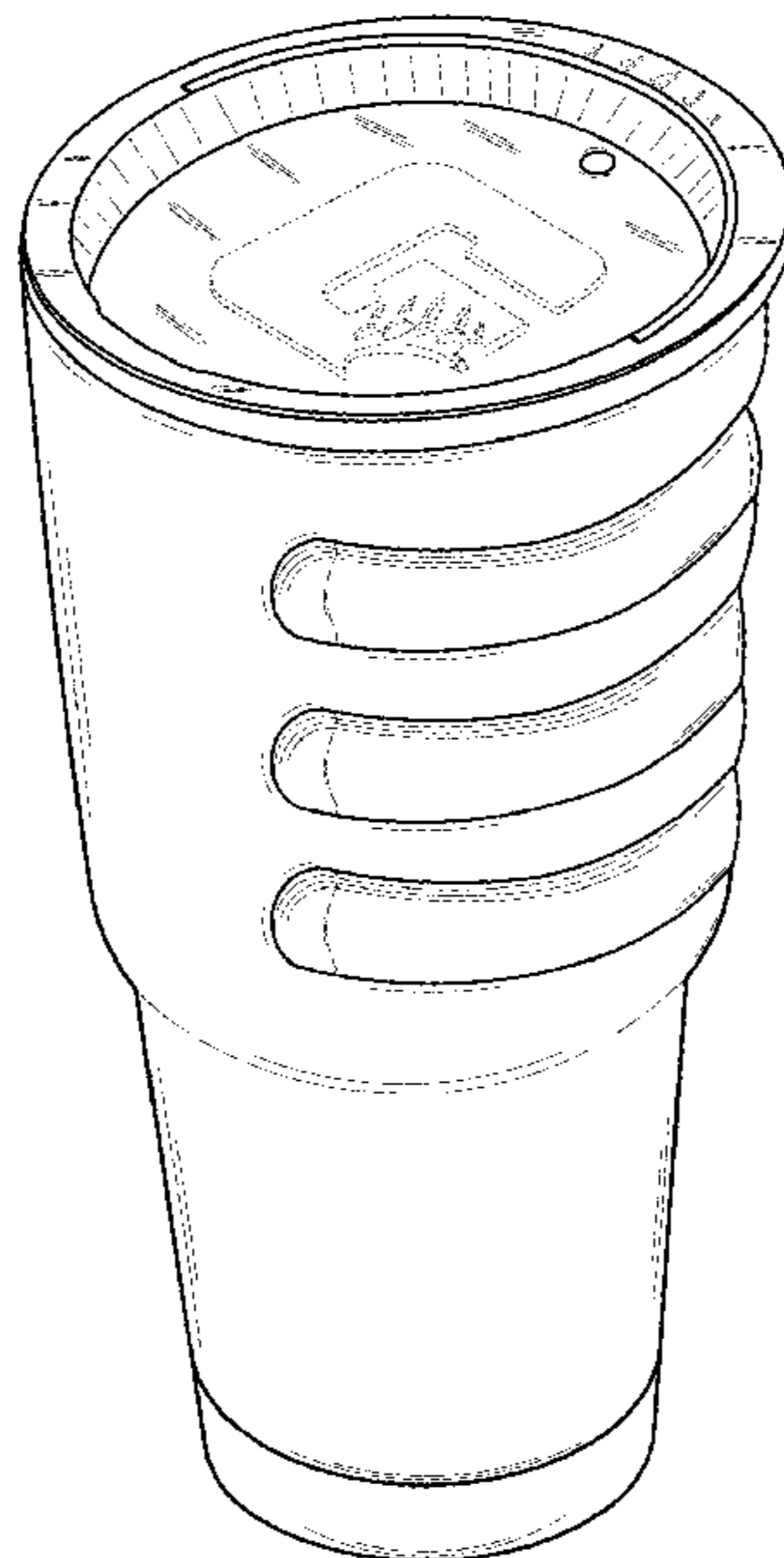
(57) **CLAIM**

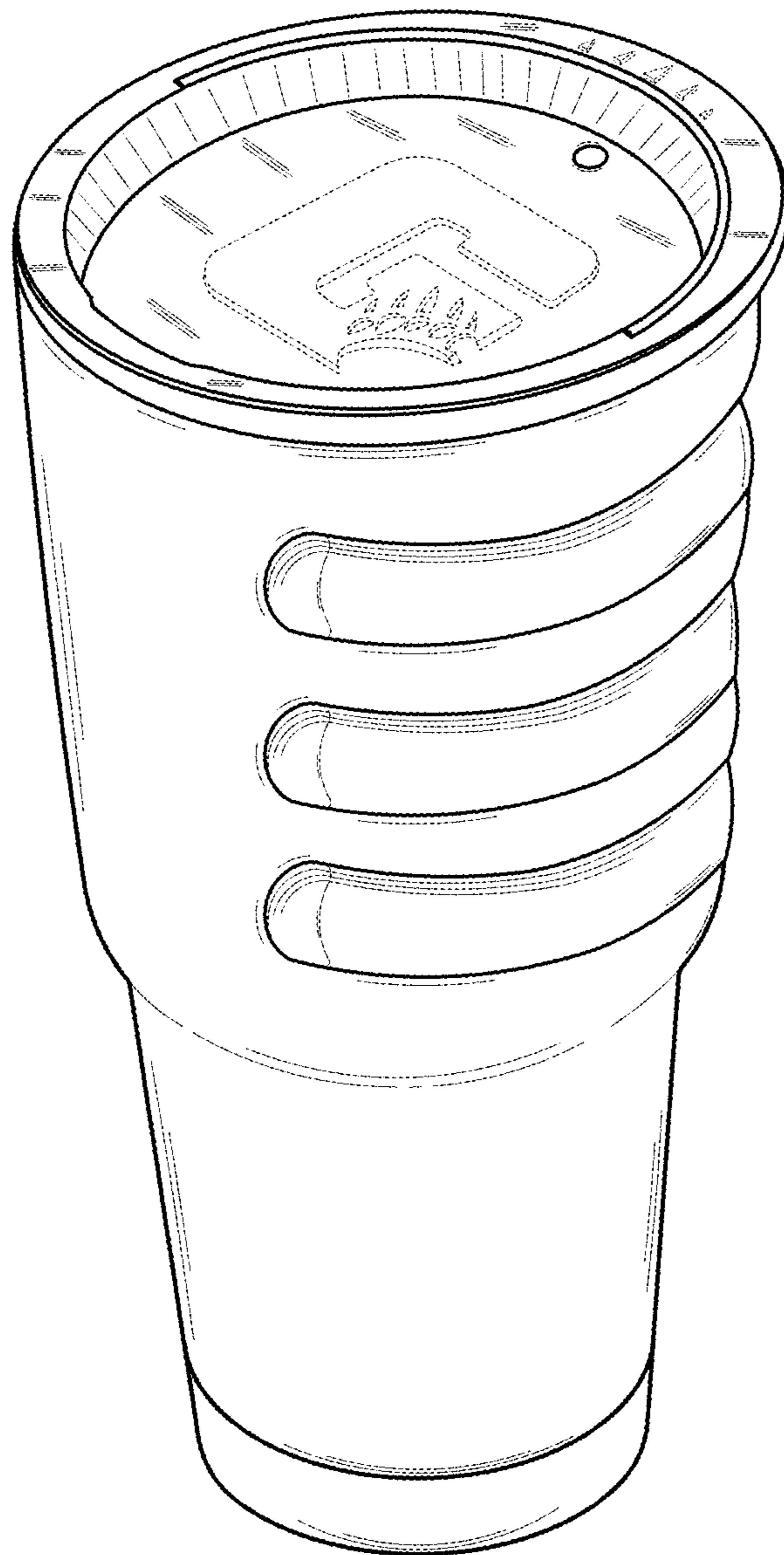
The ornamental design for a thermally insulated cup with integrated grip, as shown and described.

**DESCRIPTION**

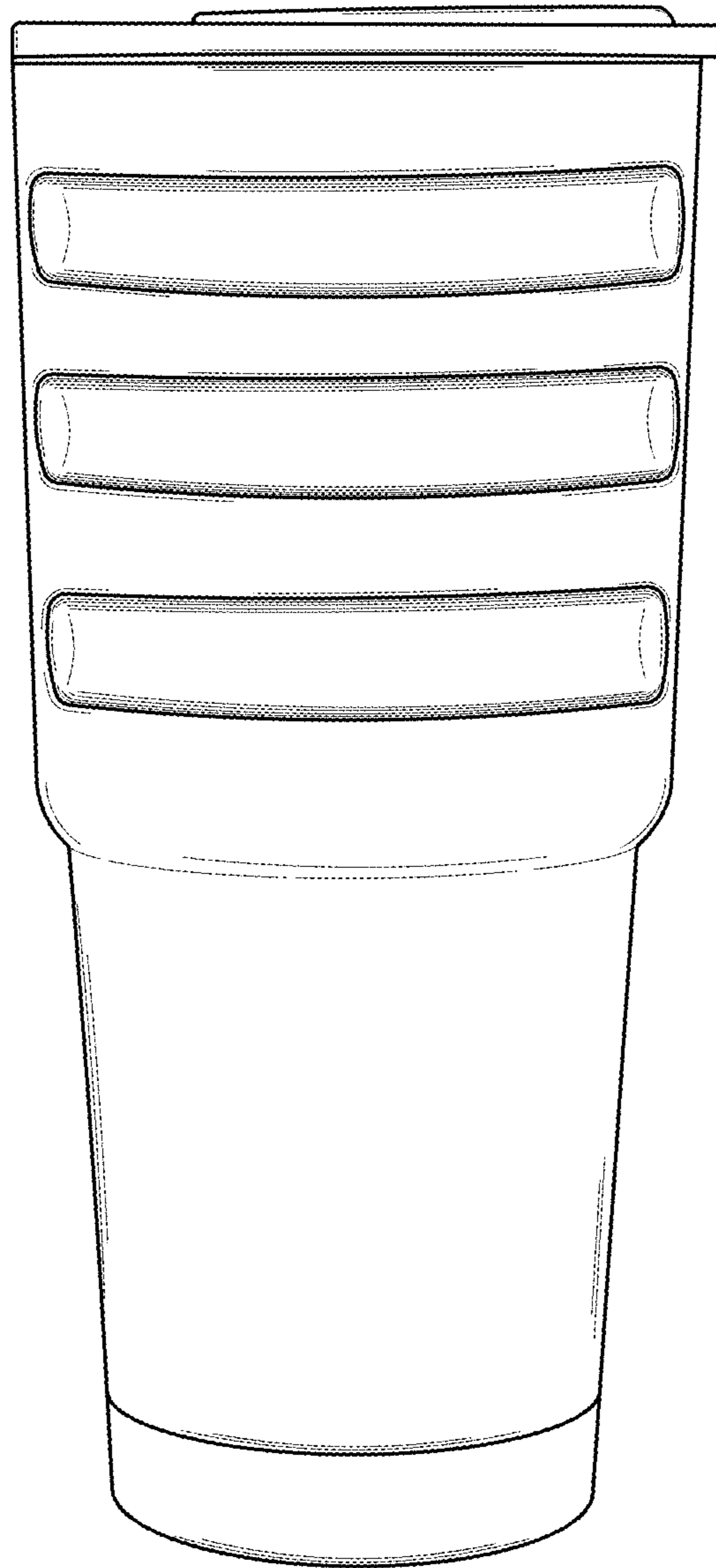
FIG. 1 is a front-left top perspective view for a thermally insulated cup with integrated grip, showing my new design; FIG. 2 is a front elevational view of FIG. 1 thereof; FIG. 3 is a rear elevational view of FIG. 1 thereof; FIG. 4 is a left side elevational view of FIG. 1 thereof; FIG. 5 is a right side elevational view of FIG. 1 thereof; FIG. 6 is a top plan view of FIG. 1 thereof; and, FIG. 7 is a bottom plan view of FIG. 1 thereof. The broken lines indicate unclaimed portions of the design and form no part of the claimed design.

**1 Claim, 7 Drawing Sheets**

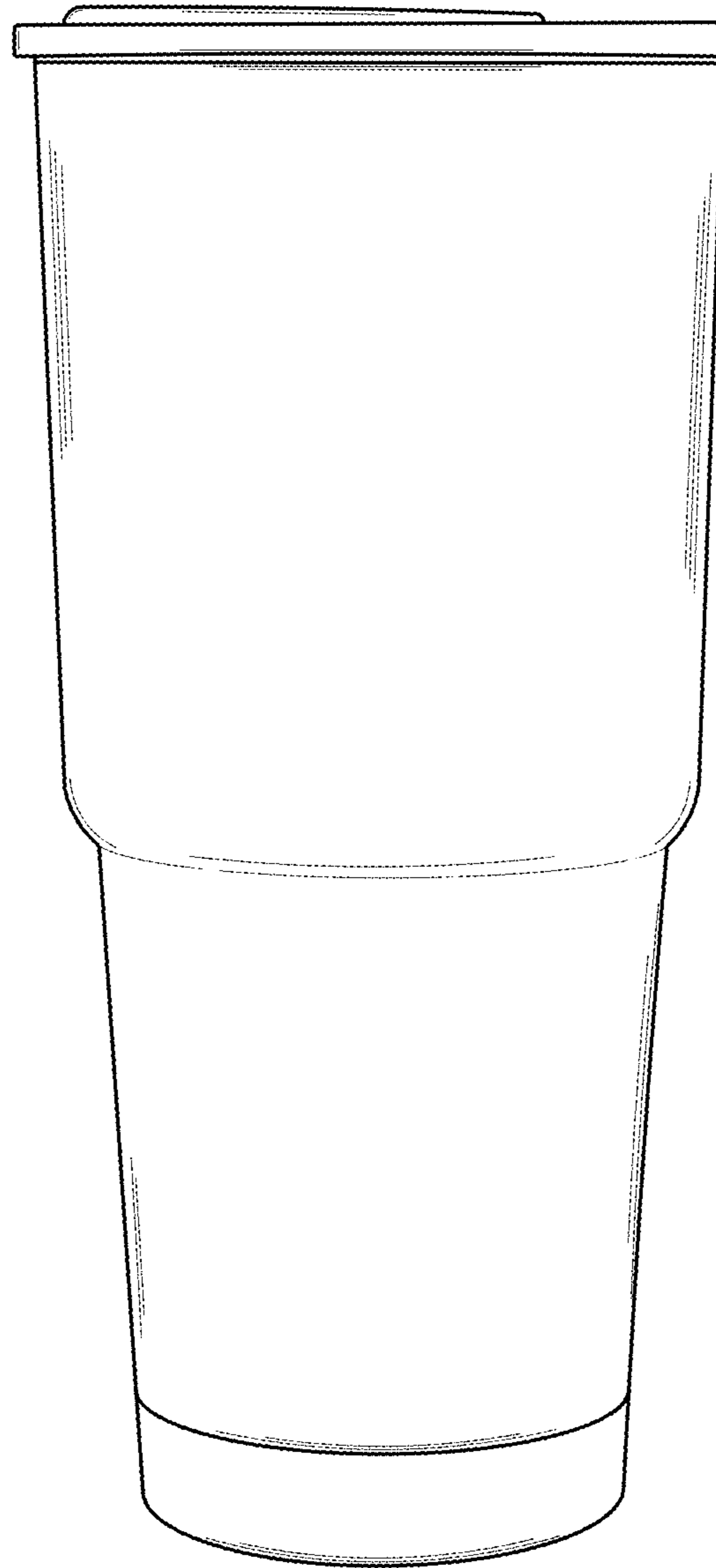




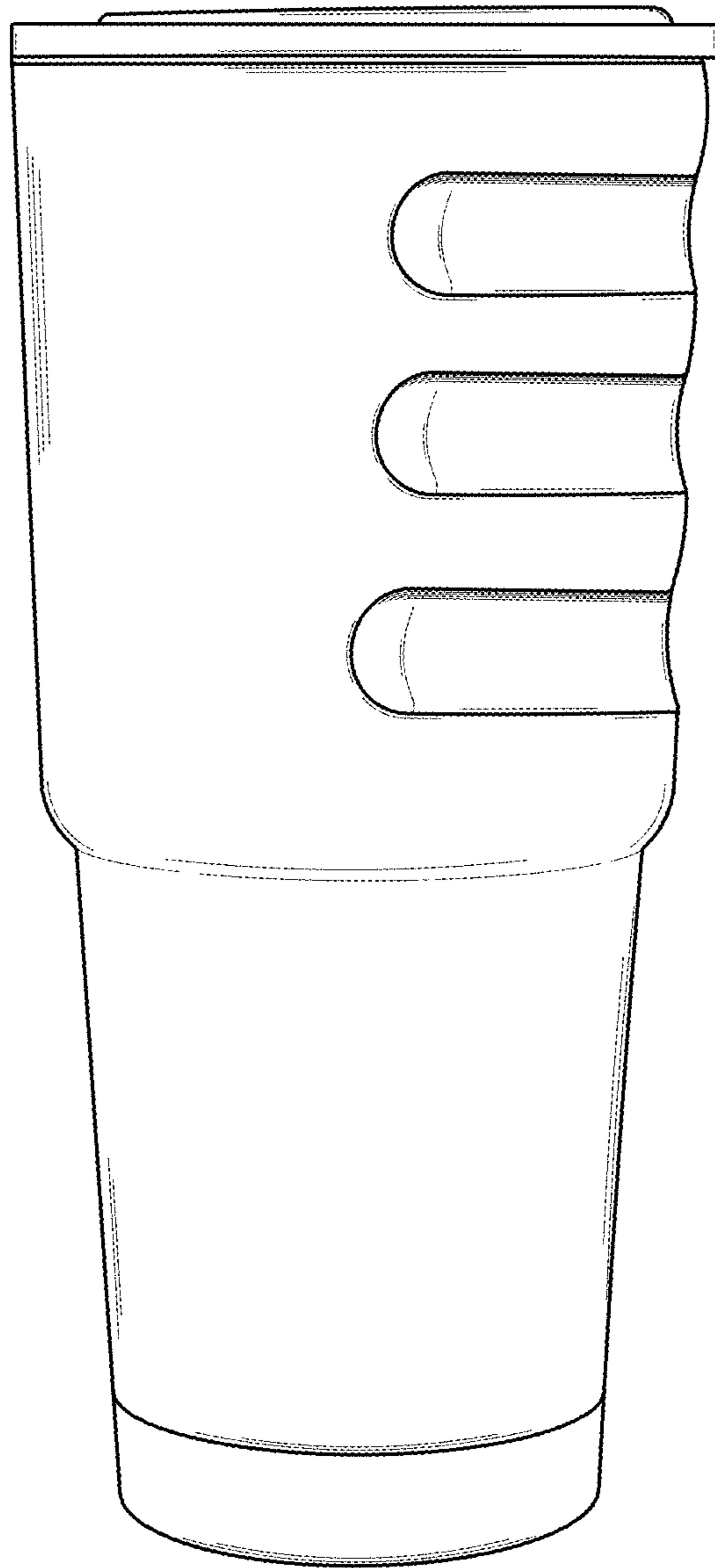
**FIG 1**



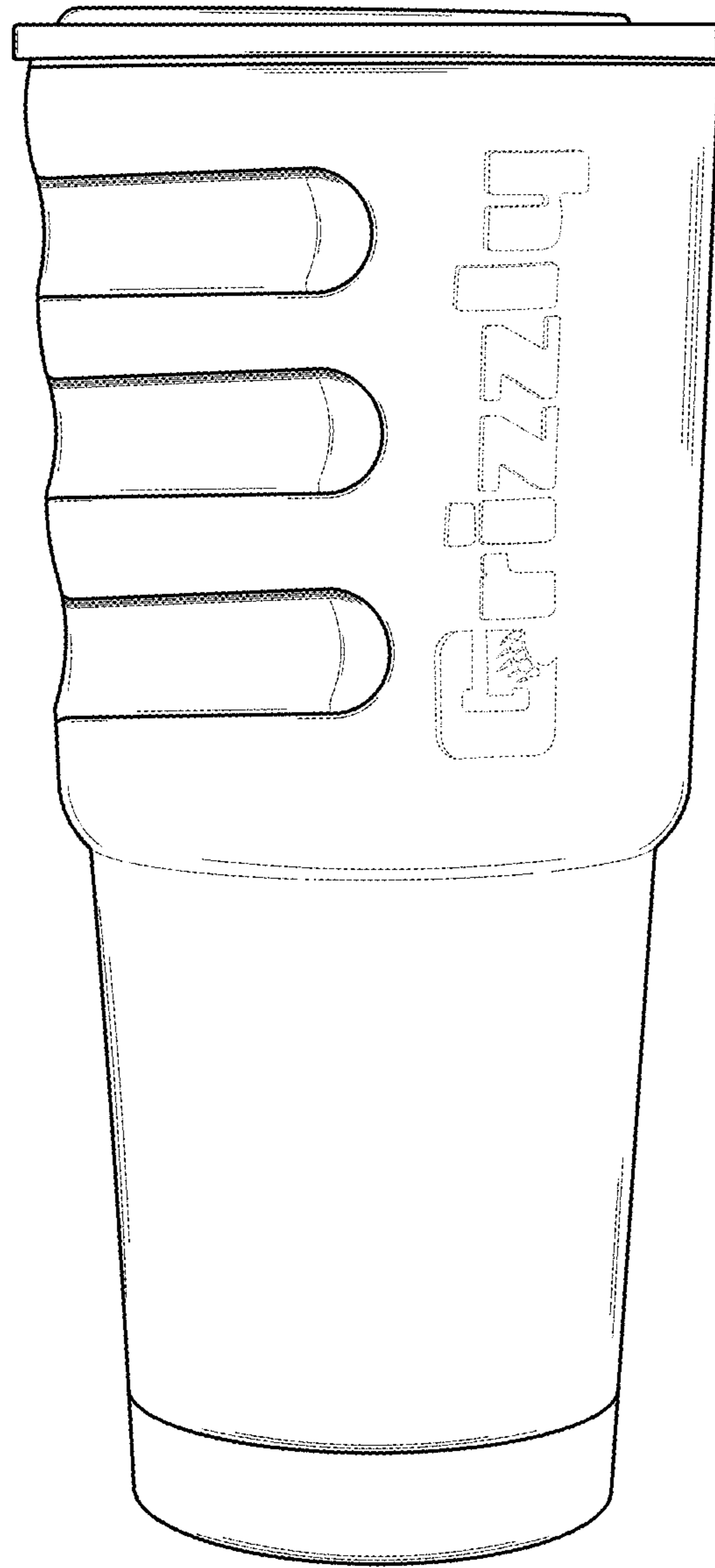
**FIG 2**



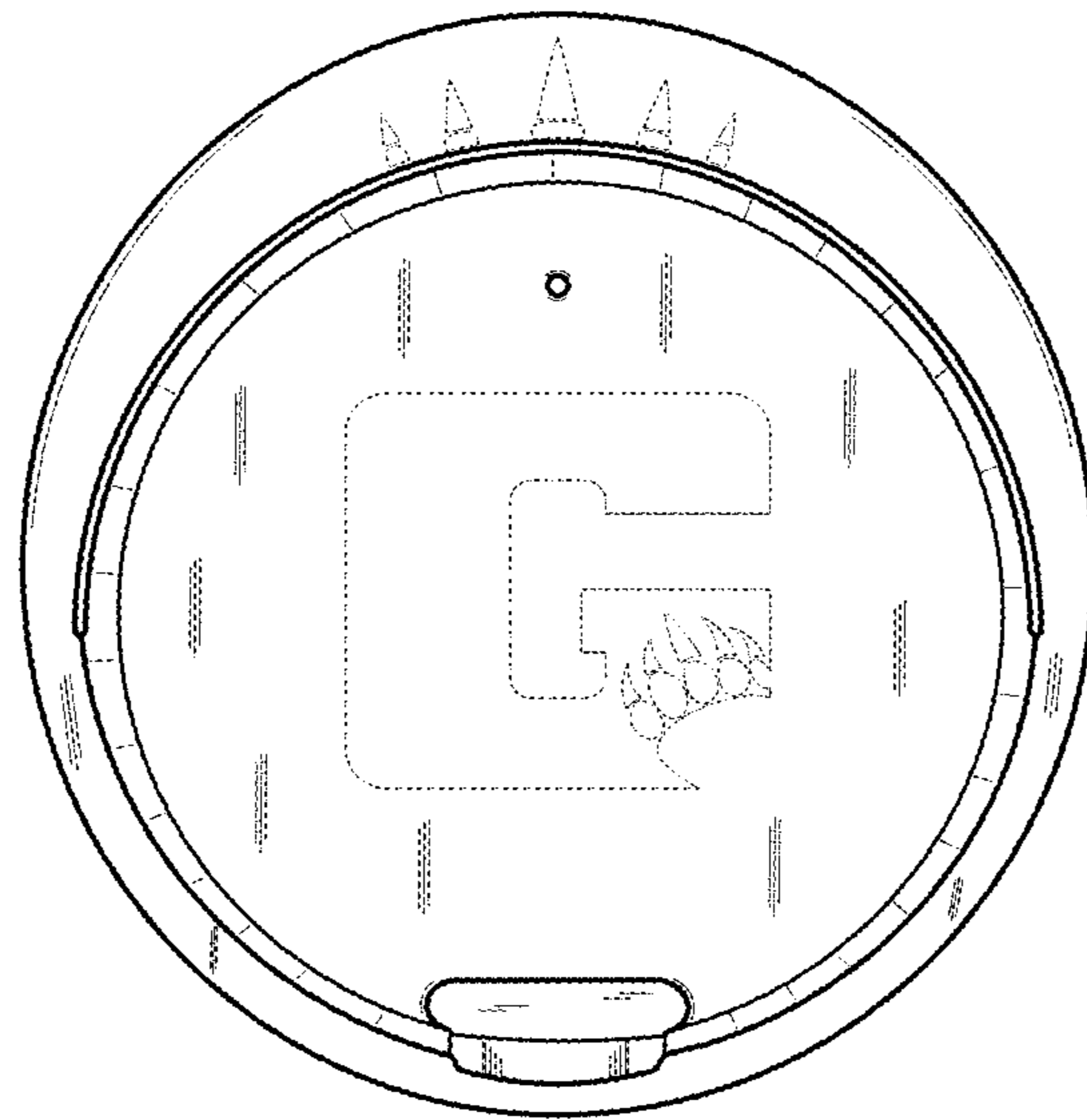
**FIG 3**



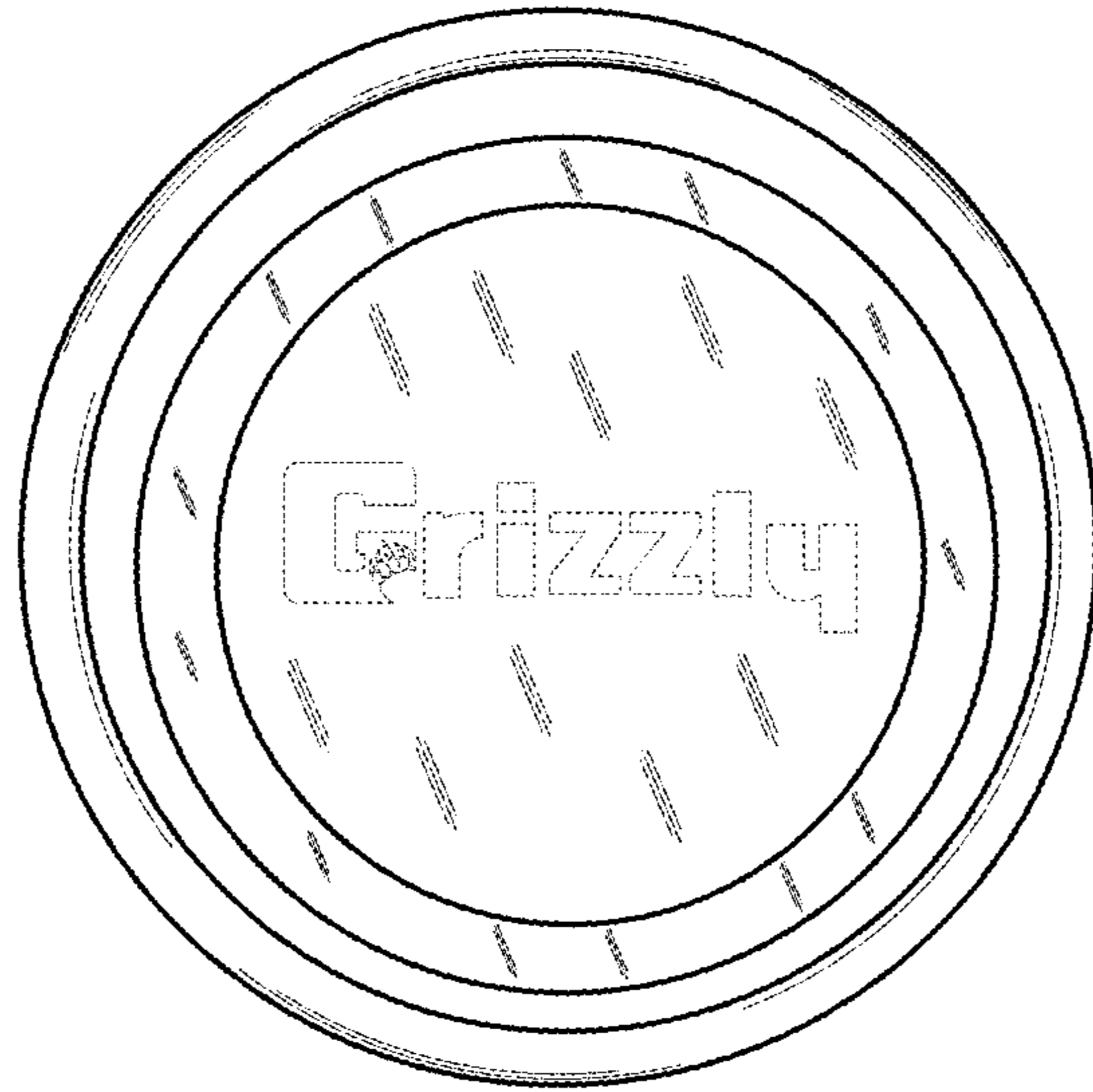
**FIG 4**



**FIG 5**



**FIG 6**



**FIG 7**