

US00D805851S

(12) **United States Design Patent** (10) **Patent No.:** **US D805,851 S**
Sullivan et al. (45) **Date of Patent:** **** Dec. 26, 2017**

(54) **COOLER**
(71) Applicant: **YETI Coolers, LLC**, Austin, TX (US)
(72) Inventors: **Derek G. Sullivan**, Austin, TX (US);
Roy Joseph Seiders, Austin, TX (US);
Andrew M. Bosway, Austin, TX (US);
Karl Fritzsche, Seattle, WA (US)

3,454,197 A 7/1969 Thompson
3,801,425 A 4/1974 Cook
3,814,288 A 6/1974 Westrich
3,905,511 A 9/1975 Groendal
4,125,212 A 11/1978 Courchesne
4,127,155 A 11/1978 Hydorn
(Continued)

(73) Assignee: **YETI Coolers, LLC**, Austin, TX (US)
(**) Term: **15 Years**

FOREIGN PATENT DOCUMENTS
BE 1015808 A6 9/2005
CA 2300014 A1 8/2001
(Continued)

(21) Appl. No.: **29/566,696**

(22) Filed: **Jun. 1, 2016**

(51) **LOC (10) Cl.** **07-99**

(52) **U.S. Cl.**
USPC **D7/607; D3/289**

(58) **Field of Classification Search**
USPC D3/273, 276, 284, 283, 285, 287, 289,
D3/290, 900, 902, 904, 227, 230, 217,
D3/243, 232; D7/709, 605, 607
CPC A45C 2003/007; A45C 2003/008; A45C
3/02; A45C 7/0059; A45C 11/20; A45C
3/00
See application file for complete search history.

OTHER PUBLICATIONS
Youtube, "Yeti Hopper Cooler at ICAST 2014 ", Uploiaded by user
"TackleDirect" on Jul. 17, 2014, accessed Jan. 31, 2017. (<https://www.youtube.com/watch?v=A2rKRdyZcZ4>).*
(Continued)

Primary Examiner — Thomas Johannes
Assistant Examiner — April Rivas
(74) *Attorney, Agent, or Firm* — Banner & Witcoff, Ltd.

(56) **References Cited**

U.S. PATENT DOCUMENTS

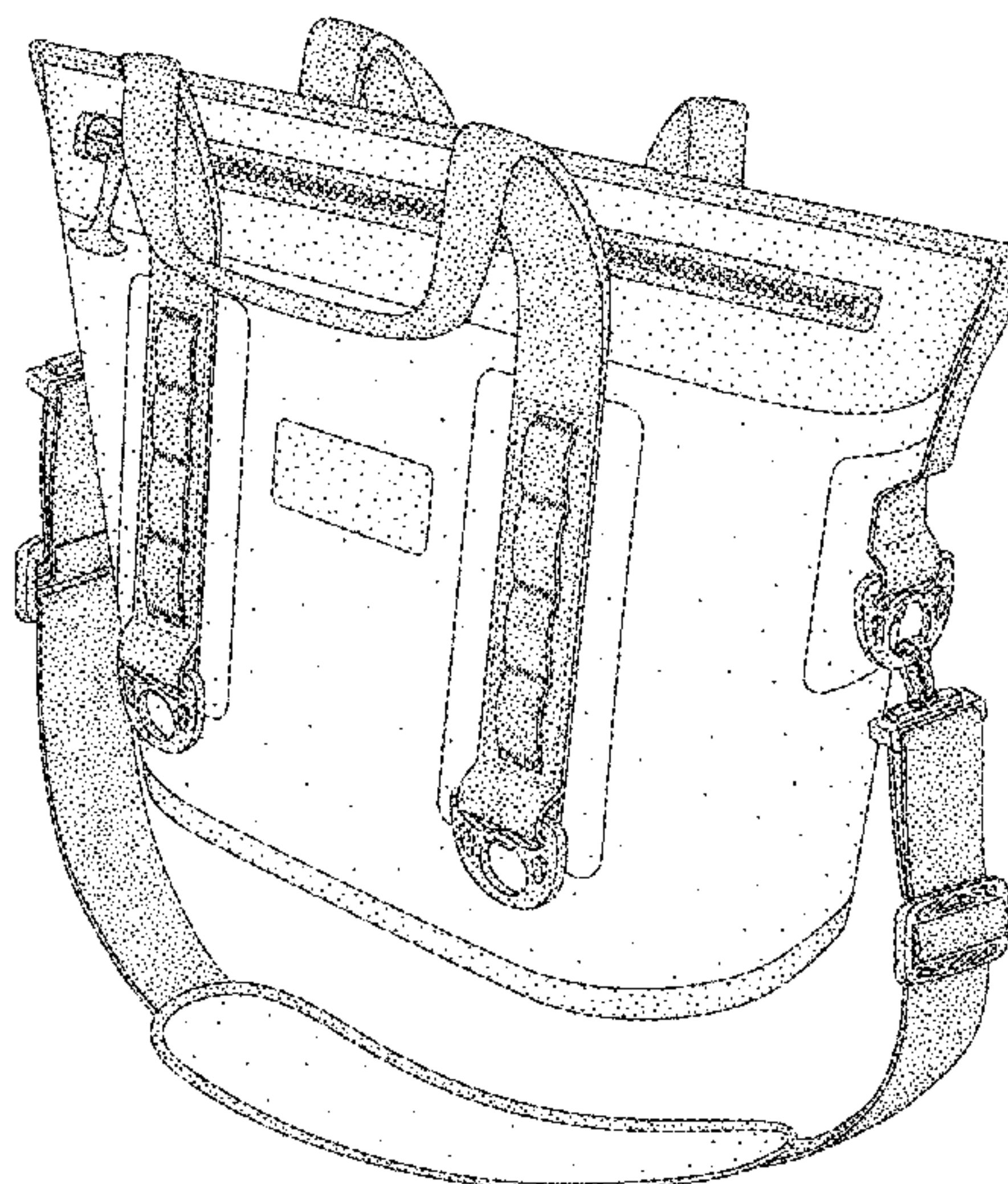
1,949,677 A 3/1934 Crawford
2,119,621 A 6/1938 Ferrone
2,253,598 A 8/1941 Africa
2,289,254 A 7/1942 Eagles
2,522,381 A 9/1950 Kramer
2,575,191 A 11/1951 Seipp
2,633,223 A 3/1953 Zeamer
2,661,785 A 12/1953 Daust
2,685,385 A 8/1954 Kuss
2,808,093 A 10/1957 Gilman
2,954,891 A 10/1960 Imber
3,066,846 A 12/1962 Domigan

(57) **CLAIM**
The ornamental design for a cooler, as shown and described.

DESCRIPTION

FIG. 1 is a top, front, right perspective view of a cooler showing our new design;
FIG. 2 is a front view thereof;
FIG. 3 is a rear view thereof;
FIG. 4 is a right side view thereof;
FIG. 5 is a left side view thereof;
FIG. 6 is a top view thereof; and,
FIG. 7 is a bottom view thereof.
The broken lines immediately adjacent to the shaded area represents unclaimed boundaries of the design.

1 Claim, 6 Drawing Sheets



(56)

References Cited

U.S. PATENT DOCUMENTS

4,194,627 A	3/1980	Christensen		5,687,874 A	11/1997	Omori et al.	
4,196,817 A	4/1980	Moser		D387,249 S	12/1997	Mogil	
4,197,890 A	4/1980	Simko		5,706,969 A	1/1998	Yamada et al.	
4,211,091 A	7/1980	Campbell		D394,553 S	5/1998	Lin	
4,248,366 A	2/1981	Christiansen		D395,555 S	6/1998	Ursitti	
4,344,303 A	8/1982	Kelly, Jr.		5,758,513 A	6/1998	Smith	
4,372,453 A	2/1983	Branscum		D397,273 S	8/1998	Collie	
4,375,828 A	3/1983	Biddison		5,816,709 A	10/1998	Demus	
4,399,668 A	8/1983	Williamson		D401,063 S *	11/1998	Yamamoto	D3/285
4,468,933 A	9/1984	Christopher		5,842,571 A	12/1998	Rausch	
4,513,895 A	4/1985	Leslie		5,845,514 A	12/1998	Clarke et al.	
4,537,313 A	8/1985	Workman		5,848,734 A	12/1998	Melk	
4,541,540 A	9/1985	Gretz et al.		5,857,778 A	1/1999	Ells	
D281,122 S *	10/1985	Bomes	D3/287	5,909,821 A	6/1999	Guridi	
D281,546 S	12/1985	Bradshaw		5,913,448 A	6/1999	Mann et al.	
4,595,101 A	6/1986	Rivera		5,915,580 A	6/1999	Melk	
4,596,370 A	6/1986	Adkins		5,931,583 A	8/1999	Collie	
4,598,746 A	7/1986	Rabinowitz		5,988,468 A	11/1999	Murdoch et al.	
4,679,242 A	7/1987	Brockhaus		5,988,879 A	11/1999	Bredderman et al.	
4,708,254 A	11/1987	Byrns		6,019,245 A	2/2000	Foster et al.	
4,746,028 A	5/1988	Bagg		6,027,249 A	2/2000	Bielinski	
4,759,077 A	7/1988	Leslie		6,029,847 A	2/2000	Mahoney, Jr. et al.	
4,765,476 A	8/1988	Lee		D424,417 S	5/2000	Axelsson	
4,796,937 A	1/1989	Andrea		6,059,140 A	5/2000	Hicks	
4,802,344 A	2/1989	Livingston et al.		6,065,873 A	5/2000	Fowler	
4,802,602 A	2/1989	Evans et al.		6,068,402 A	5/2000	Freese et al.	
4,812,054 A	3/1989	Kirkendall		6,073,796 A	6/2000	Mogil	
4,826,060 A *	5/1989	Hollingsworth	A45C 3/00 224/237	6,082,589 A	7/2000	Ash et al.	
4,858,444 A	8/1989	Scott		6,082,896 A	7/2000	Pulli	
4,867,214 A	9/1989	Fuller		6,089,038 A	7/2000	Tattam	
4,886,183 A	12/1989	Fleming		6,092,266 A	7/2000	Lee	
4,941,603 A	7/1990	Creamer et al.		6,128,915 A	10/2000	Wagner	
4,984,906 A	1/1991	Little		6,145,715 A	11/2000	Slonim	
4,986,089 A	1/1991	Raab		6,149,305 A	11/2000	Fier	
4,989,418 A	2/1991	Hewlett		6,193,034 B1 *	2/2001	Fournier	A45C 7/0095 190/107
5,004,091 A	4/1991	Natho et al.		6,220,473 B1	4/2001	Lehman et al.	
5,005,679 A	4/1991	Hjelle		6,234,677 B1	5/2001	Mogil	
5,042,664 A	8/1991	Shyr et al.		6,253,570 B1	7/2001	Lustig	
5,048,734 A	9/1991	Long		6,276,579 B1	8/2001	DeLoach	
5,062,557 A	11/1991	Mahvi et al.		D447,667 S	9/2001	Schneider et al.	
5,190,376 A	3/1993	Book		6,286,709 B1	9/2001	Hudson	
5,216,900 A	6/1993	Jones		6,296,134 B1	10/2001	Cardinale	
5,221,016 A	6/1993	Karpal		6,296,165 B1	10/2001	Mears	
5,237,838 A	8/1993	Merritt-Munson		6,336,577 B1	1/2002	Harris et al.	
5,244,136 A	9/1993	Collaso		6,353,215 B1	3/2002	Revels et al.	
D339,979 S	10/1993	Wehrley		D455,934 S	4/2002	Culp et al.	
D340,387 S	10/1993	Melk		6,409,066 B1	6/2002	Schneider et al.	
D340,621 S *	10/1993	Melk	D3/287	6,422,032 B1	7/2002	Greene	
D340,840 S *	11/1993	Melk	D3/283	D464,235 S	10/2002	Jeong	
5,269,368 A	12/1993	Schneider et al.		D465,134 S	11/2002	Joss	
D343,992 S	2/1994	Melk		6,481,239 B2	11/2002	Hodosh et al.	
5,297,870 A	3/1994	Weldon		D466,291 S	12/2002	Ng	
5,313,807 A	5/1994	Owen		6,505,479 B2	1/2003	Defelice et al.	
5,325,991 A	7/1994	Williams		D472,431 S	4/2003	Spence, Jr.	
5,354,131 A	10/1994	Mogil		6,554,155 B1	4/2003	Beggins	
5,355,684 A	10/1994	Guice		D474,649 S	5/2003	Spence, Jr.	
5,398,848 A	3/1995	Padamsee		6,582,124 B2	6/2003	Mogil	
5,400,610 A	3/1995	Macedo		D476,481 S	7/2003	Gilbert	
5,403,095 A	4/1995	Melk		6,595,687 B2	7/2003	Godshaw et al.	
5,421,172 A	6/1995	Jones		D478,782 S *	8/2003	Li	D7/607
5,447,764 A	9/1995	Langford		6,604,649 B1	8/2003	Campi	
5,490,396 A	2/1996	Morris		6,619,447 B1	9/2003	Garcia, III et al.	
D370,599 S *	6/1996	Christopher	D3/287	6,629,430 B2	10/2003	Mills et al.	
D371,052 S	6/1996	Melk		D482,241 S	11/2003	Tyler	
5,529,217 A	6/1996	Siegel		6,652,933 B2	11/2003	Hall	
D373,515 S	9/1996	Melk		6,655,543 B2	12/2003	Beuke	
5,562,228 A	10/1996	Ericson		D485,131 S	1/2004	Lanman et al.	
5,564,568 A	10/1996	Rankin, Sr.		D485,732 S	1/2004	Lanman et al.	
5,569,401 A	10/1996	Gilliland et al.		D486,038 S	2/2004	Lanman et al.	
5,595,320 A	1/1997	Aghassipour		6,729,758 B1	5/2004	Carter	
D383,360 S *	9/1997	Melk	D3/276	D492,160 S	6/2004	Lanman et al.	
5,680,944 A	10/1997	Rueter		D497,518 S	10/2004	Bellofatto, Jr. et al.	
5,680,958 A	10/1997	Mann et al.		6,799,693 B2	10/2004	Meza	
D386,310 S	11/1997	Smith		D498,924 S	11/2004	Karl	
				D502,599 S	3/2005	Cabana et al.	
				D503,279 S	3/2005	Smith	
				D506,645 S	6/2005	Bellofatto, Jr. et al.	
				D512,274 S	12/2005	Cabey	

(56)

References Cited

U.S. PATENT DOCUMENTS

D515,362 S	2/2006	Chan		D703,946 S	5/2014	Tweedie	
D517,801 S	3/2006	Woo		8,720,739 B2	5/2014	Bollis	
D520,306 S	5/2006	Peterson		D711,096 S	8/2014	Hanna	
D523,243 S	6/2006	Nashmy		D712,555 S	9/2014	Berg	
D527,226 S	8/2006	Maldonado		8,827,109 B1	9/2014	Sheehan	
D530,089 S *	10/2006	Silverman	D3/287	8,844,756 B2	9/2014	Beyburg	
7,153,025 B1	12/2006	Jackson et al.		D715,544 S	10/2014	Levine	
D534,771 S	1/2007	Zorn		D718,931 S	12/2014	Brundl	
7,162,890 B2	1/2007	Mogil et al.		D719,303 S	12/2014	Anderson	
D539,033 S	3/2007	Cassegrain		8,899,071 B2	12/2014	Mogil et al.	
7,201,285 B2	4/2007	Beggins		D725,908 S *	4/2015	Zwetzig	D3/283
7,207,716 B2	4/2007	Buchanan et al.		D728,942 S *	5/2015	Byham	D3/290
7,219,814 B2	5/2007	Lown et al.		D732,348 S *	6/2015	Seiders	D3/246
7,240,513 B1	7/2007	Conforti		D732,349 S *	6/2015	Seiders	D3/246
7,264,134 B2	9/2007	Tulp		D732,350 S *	6/2015	Seiders	D3/246
D557,667 S	12/2007	Kawamura et al.		D732,899 S *	6/2015	Seiders	D3/246
7,302,810 B2	12/2007	McCrorry		D734,643 S	7/2015	Boroski	
D560,102 S	1/2008	Sumter		D734,992 S	7/2015	Boroski	
7,313,927 B2	1/2008	Barker		9,084,463 B2	7/2015	Merrill	
7,344,028 B2	3/2008	Hanson		D738,108 S *	9/2015	Adler	D3/289
D570,603 S	6/2008	Wu et al.		D739,654 S	9/2015	Brouard	
D573,422 S	7/2008	Tagliati et al.		9,139,352 B2	9/2015	Seiders et al.	
D574,667 S	8/2008	Grabijas, III et al.		9,146,051 B2	9/2015	Kamin et al.	
D578,401 S	10/2008	Perry et al.		D747,104 S	1/2016	Ford	
7,481,065 B2	1/2009	Krieger		9,226,558 B2	1/2016	Armstrong	
D598,194 S	8/2009	Turvey et al.		9,254,022 B2	2/2016	Meldeau et al.	
7,597,478 B2	10/2009	Pruchnicki et al.		9,254,023 B2	2/2016	Su et al.	
7,634,919 B2	12/2009	Bernhard, Jr. et al.		9,265,318 B1	2/2016	Williams et al.	
D607,697 S	1/2010	Whitlock et al.		D752,347 S	3/2016	Seiders et al.	
D608,096 S	1/2010	Noble		9,271,553 B2	3/2016	Ponx	
D608,159 S	1/2010	Whitlock et al.		9,290,313 B2	3/2016	De Lesseux et al.	
D610,795 S *	3/2010	Dejadon	D3/203.1	D756,109 S	5/2016	Hayashi	
D611,706 S	3/2010	Angles et al.		9,366,467 B2	6/2016	Kiedaisch et al.	
7,682,080 B2	3/2010	Mogil		D760,494 S	7/2016	Harvey-Pankey	
D617,560 S	6/2010	Wu		D761,561 S	7/2016	Cheng	
7,730,739 B2	6/2010	Fuchs		D763,570 S	8/2016	Potts	
D618,966 S	7/2010	Koehler et al.		D764,791 S	8/2016	Patel	
D619,423 S	7/2010	Koehler et al.		D770,763 S	11/2016	Joo et al.	
D619,854 S	7/2010	Koehler et al.		D772,562 S	11/2016	Petre	
D619,855 S	7/2010	Koehler et al.		2002/0197369 A1	12/2002	Modler	
D620,707 S	8/2010	Mogil		2003/0070447 A1	4/2003	Tanaka	
D620,708 S	8/2010	Sanz		2003/0080133 A1	5/2003	Butler	
7,775,388 B2	8/2010	Murrer, III		2003/0106895 A1	6/2003	Kalal	
7,784,759 B2	8/2010	Farrell		2003/0136702 A1	7/2003	Redzisz et al.	
7,791,003 B2	9/2010	Lockhart et al.		2004/0004111 A1	1/2004	Cardinale	
7,815,069 B1	10/2010	Bellofatto et al.		2004/0028296 A1	2/2004	Meli	
D629,612 S	12/2010	Weldon		2004/0074936 A1	4/2004	McDonald	
7,874,177 B2	1/2011	Azamy		2004/0094589 A1	5/2004	Fricano	
7,900,816 B2	3/2011	Kastanek et al.		2004/0144783 A1	7/2004	Anderson et al.	
D638,220 S	5/2011	Chu et al.		2004/0149600 A1	8/2004	Wolter et al.	
D642,870 S	8/2011	Whitlock et al.		2004/0164084 A1	8/2004	Cooper	
D645,662 S	9/2011	Perez		2004/0237266 A1	12/2004	Wang	
8,016,090 B2	9/2011	McCoy et al.		2005/0016895 A1	1/2005	Glenn	
8,043,004 B2	10/2011	Mogil		2005/0045520 A1	3/2005	Johnson	
D648,532 S	11/2011	Sosnovsky		2005/0045521 A1	3/2005	Johnson et al.	
D650,169 S	12/2011	Klifa		2005/0262871 A1	12/2005	Bailey-Weston	
8,096,442 B2	1/2012	Ramundi		2005/0263528 A1	12/2005	Maldonado et al.	
8,191,747 B2	6/2012	Pruchnicki		2005/0279124 A1	12/2005	Maldonado	
D664,261 S	7/2012	Kravitz et al.		2006/0007266 A1	1/2006	Silverbrook	
8,209,995 B2	7/2012	Kieling et al.		2006/0102497 A1	5/2006	Wulf	
D666,896 S	9/2012	Pinholster, Jr. et al.		2006/0201979 A1	9/2006	Achilles	
D667,043 S	9/2012	Couch, III		2007/0012593 A1	1/2007	Kitchens et al.	
8,281,950 B2	10/2012	Potts et al.		2007/0217187 A1	9/2007	Blakely et al.	
D673,363 S	1/2013	Crandall		2007/0221693 A1	9/2007	Moore	
8,424,713 B2	4/2013	Bolland		2007/0237432 A1	10/2007	Mogil	
D682,635 S *	5/2013	Boroski	D7/709	2007/0261977 A1	11/2007	Sakai	
8,453,899 B1	6/2013	Calkin		2007/0274613 A1	11/2007	Pruchnicki et al.	
8,474,640 B2	7/2013	Armstrong		2007/0290816 A1	12/2007	Bedard	
8,516,848 B2	8/2013	White et al.		2008/0073364 A1	3/2008	Simmons	
8,544,678 B1	10/2013	Hughes		2008/0128421 A1	6/2008	Ulbrand et al.	
8,573,002 B2	11/2013	Ledoux et al.		2008/0164265 A1	7/2008	Conforti	
D695,568 S *	12/2013	Hayes	D3/233	2008/0178865 A1	7/2008	Retterer	
8,622,235 B2	1/2014	Suchecky		2008/0245096 A1	10/2008	Hanson et al.	
D699,940 S	2/2014	Robert		2008/0260303 A1	10/2008	De Lesseux et al.	
D699,941 S	2/2014	Robert		2009/0052809 A1	2/2009	Sampson	
				2009/0095757 A1	4/2009	Ramundi	
				2010/0059199 A1	3/2010	Court	
				2010/0108694 A1	5/2010	Sedlbauer et al.	
				2010/0224660 A1	9/2010	Gleason	

(56)

References Cited

U.S. PATENT DOCUMENTS

2010/0284631 A1 11/2010 Lee
 2011/0030415 A1 2/2011 Breyburg et al.
 2011/0108562 A1 5/2011 Lyons
 2011/0167863 A1 7/2011 Herrbold
 2011/0182532 A1 7/2011 Baltus
 2011/0191933 A1 8/2011 Gregory et al.
 2011/0284601 A1 11/2011 Pullin
 2011/0311166 A1 12/2011 Pascua
 2012/0106130 A1 5/2012 Beaudette
 2012/0137637 A1 6/2012 Gillis
 2012/0180184 A1 7/2012 Crye
 2012/0181211 A1 7/2012 Charlebois
 2012/0187138 A1 7/2012 Vasquez et al.
 2012/0294550 A1 11/2012 Hassman et al.
 2012/0311828 A1 12/2012 Nir
 2013/0014355 A1 1/2013 Lee
 2013/0043285 A1 2/2013 Cordray
 2013/0174600 A1 7/2013 Sarcinella
 2013/0216158 A1* 8/2013 Meldeau A45C 3/04
 383/24
 2013/0264350 A1 10/2013 Handlon et al.
 2013/0294712 A1 11/2013 Seuk
 2013/0341338 A1 12/2013 Mitchell et al.
 2014/0023295 A1 1/2014 Wagner
 2014/0034543 A1 2/2014 Grubstein
 2014/0226920 A1 8/2014 Passavia
 2014/0248003 A1 9/2014 Mogil et al.
 2014/0254956 A1 9/2014 Buell, III
 2015/0008242 A1 1/2015 Kpabar, Jr.
 2015/0136796 A1 5/2015 Muehlhauser
 2015/0175338 A1 6/2015 Culp et al.
 2015/0225164 A1* 8/2015 Seiders B65D 81/3858
 220/592.25
 2015/0335202 A1 11/2015 Wisner et al.
 2015/0353263 A1 12/2015 Seiders et al.
 2016/0066817 A1 3/2016 Hannes
 2016/0101924 A1 4/2016 Mitchell et al.
 2016/0107816 A1 4/2016 Larpenteur et al.
 2016/0257479 A1* 9/2016 Seiders B65D 81/389
 2016/0338462 A1 11/2016 Hayashi

FOREIGN PATENT DOCUMENTS

CA 2327764 A1 6/2002
 CA 2433251 A1 12/2004
 CA 2483802 A1 4/2006
 CA 2498796 A1 9/2006
 CA 2499291 A1 9/2006
 CA 2503473 A1 10/2006
 CA 2548064 A1 11/2007
 CA 2549327 A1 11/2007
 CA 2633223 A1 12/2009
 CA 2782668 A1 12/2013
 CN 2125339 U 12/1992
 CN 2188899 Y 2/1995
 CN 201062136 Y 5/2008
 CN 102717977 A 10/2012
 CN 202619972 U 12/2012
 CN 202959175 U 6/2013
 CN 103385657 A 11/2013
 CN 302623771 11/2013
 CN 302623775 11/2013
 CN 302769710 3/2014
 CN 302956550 10/2014
 CN 303100086 2/2015
 CN 303342902 8/2015
 DE 3539626 A1 5/1987
 DE 20002689 U1 8/2000
 DE 202011050174 U1 7/2011
 DE 202013101115 U1 3/2013
 EP 0037545 A2 10/1981
 EP 0082131 A2 6/1983
 EP 85534 A1 8/1983
 EP 0174159 A2 3/1986

FR 1269009 A 8/1961
 FR 2440886 A1 6/1980
 GB 1600133 A 10/1981
 GB 2249717 A 5/1992
 GB 2335972 A 10/1999
 GB 3004135 9/2002
 GB 3006367 10/2002
 JP 11051532 2/1999
 JP 3275477 B2 4/2002
 JP D1160335 12/2002
 JP 2003026258 A 1/2003
 JP D1213384 8/2004
 JP D1242111 6/2005
 JP 2010023926 A 2/2010
 JP D1445624 7/2012
 KR 20020027739 A 4/2002
 KR 20040092730 A 11/2004
 KR 300778570.0000 1/2015
 KR 300808669.0000 8/2015
 KR 300835242.0000 1/2016
 KR 300853718.0000 5/2016
 WO 9524146 A2 9/1995
 WO 9812954 A1 4/1998
 WO 2006007266 A2 1/2006
 WO 2007016092 A2 2/2007
 WO 2012003543 A1 1/2012
 WO 2014033450 A1 3/2014
 WO 2016066817 A1 5/2016

OTHER PUBLICATIONS

eBags, "Picnic Pack Picnic Pack Large Insulated Cooler Tote", First reviewed Jul. 20, 2016. Accessed Jan. 31, 2017. (<http://www.ebags.com/product/picnic-pack/picnic-pack-large-insulated-cooler-tote/313704?productid=10428840>).*
 United States District Court Western District of Texas Austin Division, "Complaint," *YETI Coolers, LLC v. Glacier Coolers, LLC, and Tecomate Holdings, LLC*, Case: 1:17-cv-00586, Document 1, filed Jun. 15, 2017, 161 pages.
 Stopper Dry Bag, <http://www.seatosummit.com/products/display/181>, published date unknown, but prior to the filing date of the present application, Sea to Summit, United States.
 Icemule Classic Cooler—Large (20L), <http://www.icemulecooler.com/icemule-classic-cooler-large-20l/>, published date unknown, but prior to the filing date of the present application, Icemule, United States.
 The-gadgeteer.com: Tom Bihn Camera I-O Bag Review. Published by Janet Cloninger on Jul. 9, 2012. Retrieved from the Internet at <http://the-gadgeteer.com/2012/07/09/tom-bihn-camera-i-o-bag-review/>, Jan. 8, 2016. 23 pages.
 Devonbuy.com: Thule Gauntlet 13" MacBook Pro Attaché. Published on Jul. 28, 2014. Retrieved from the Internet at <http://www.devonbuy.com/thule-gauntlet-13-macbook-pro-attache/>, Feb. 24, 2016. 9 pages.
 United States District Court for the Western District of Texas, Austin Division, "Defendants' Answer and Counterclaims to YETI's Complaint," *YETI Coolers, LLC, vs. RTIC Soft Sided Coolers, LLC, RTIC Coolers, LLC, RTIC Web Services, LLC, and Corporate Support and Fulfillment, LLC*, Case 1:16-cv-00909-RP, Document 11, Filed Aug. 18, 2016, 44 pages.
 United States District Court Western District of Texas, Austin Division, "Complaint," *YETI Coolers, LLC, v. RTIC Soft Side Coolers, RTIC Coolers, LLC, RTIC Web Services, LLC, and Corporate Support and Fulfillment, LLC*, Case 1:16-cv-00909, Document 1, Filed Jul. 27, 2016, 66 pages.
 United States District Court Western District of Texas, Austin Division, "Complaint for Damages and Injunctive Relief," *YETI Coolers, LLC v. Jennifer Leverage Bootz Evans d/b/a Bling and Burlap Buy In's and Blanks*, Case 1:15-cv-00995, Document 1, Filed Nov. 2, 2015, 128 pages.
 United States District Court for the Western District of Texas, Austin Division, "Joint Rule 26(f) Report and Discovery Plan," *YETI Coolers, LLC, vs. RTIC Soft Sided Coolers, LLC, RTIC Coolers,*

(56)

References Cited

OTHER PUBLICATIONS

LLC, RTIC Web Services, LLC, and Corporate Support and Fulfillment, LLC, Case 1:16-cv-00909-RP, Document 19, Filed Oct. 11, 2016, 9 pages.

Petition for Inter Partes Review of U.S. Pat. No. 9139352, filed on Dec. 13, 2016, 1616 pages.

YouTube.com: Patagonia Black Hole Duffel 6OL. Published Aug. 26, 2013. Retrieved from the internet at <<https://www.youtube.com/watch?v=W-PWEmZmVv8>>, Dec. 19, 2016. 1 page.

TheGadgeteer.com: Tom Bihn Camera I-O Bag Review. Published Jul. 9, 2012. Retrieved from the internet at <<http://the-gadgeteer.com/2012/07/09/tom-bihn-camera-i-o-bag-review/>>, Jan. 11, 2016. 7 pages.

* cited by examiner

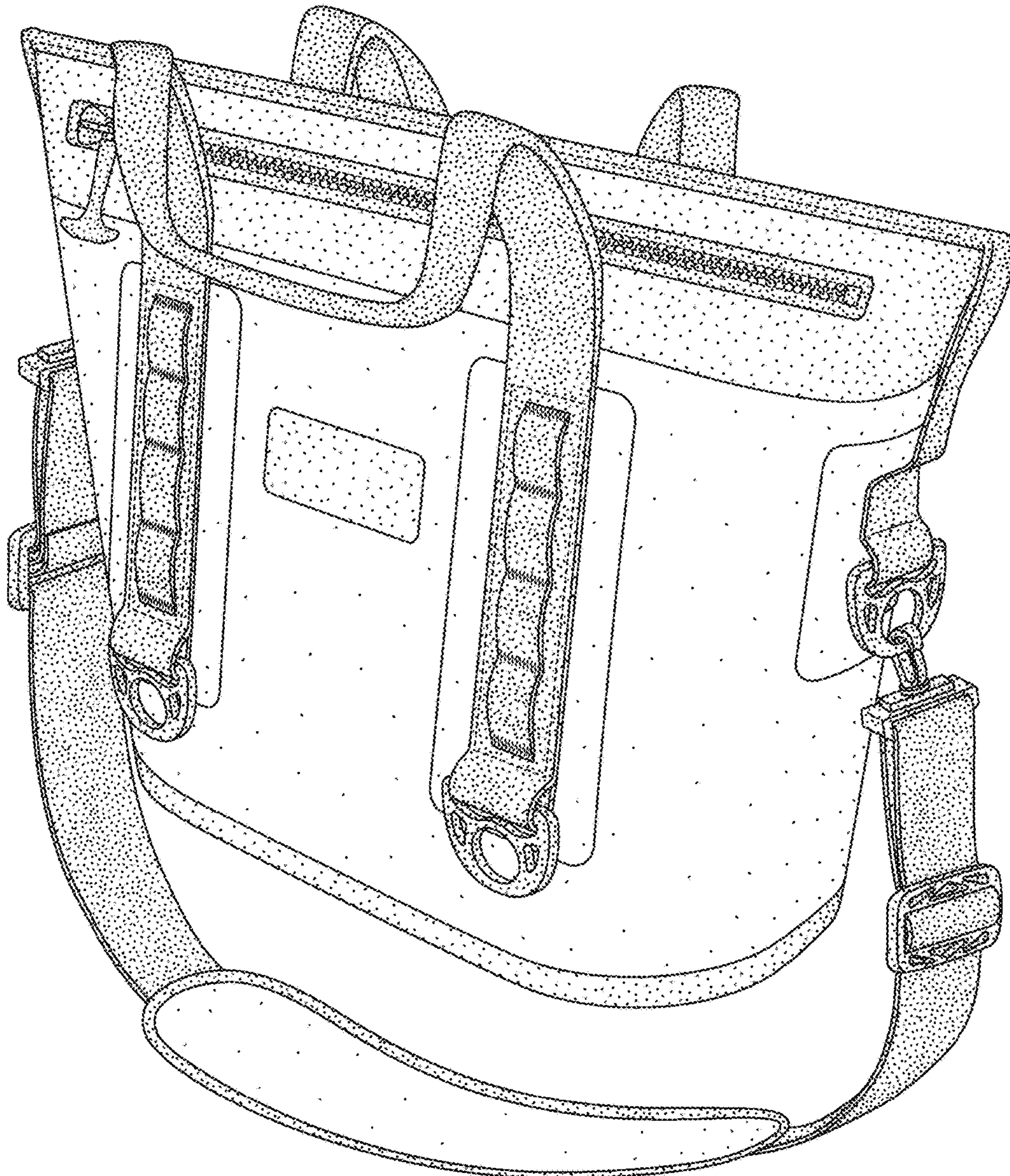


FIG. 1

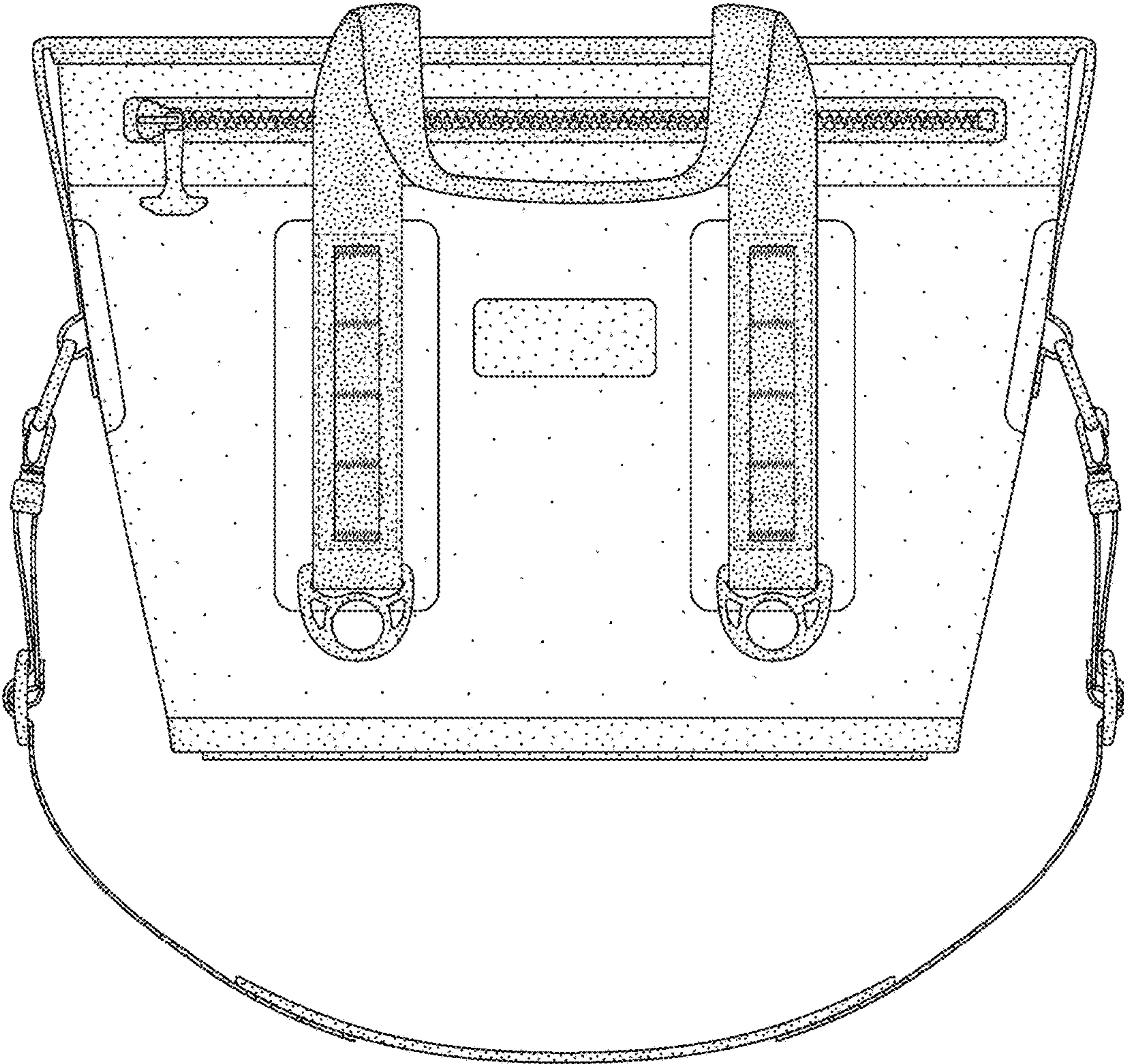


FIG. 2

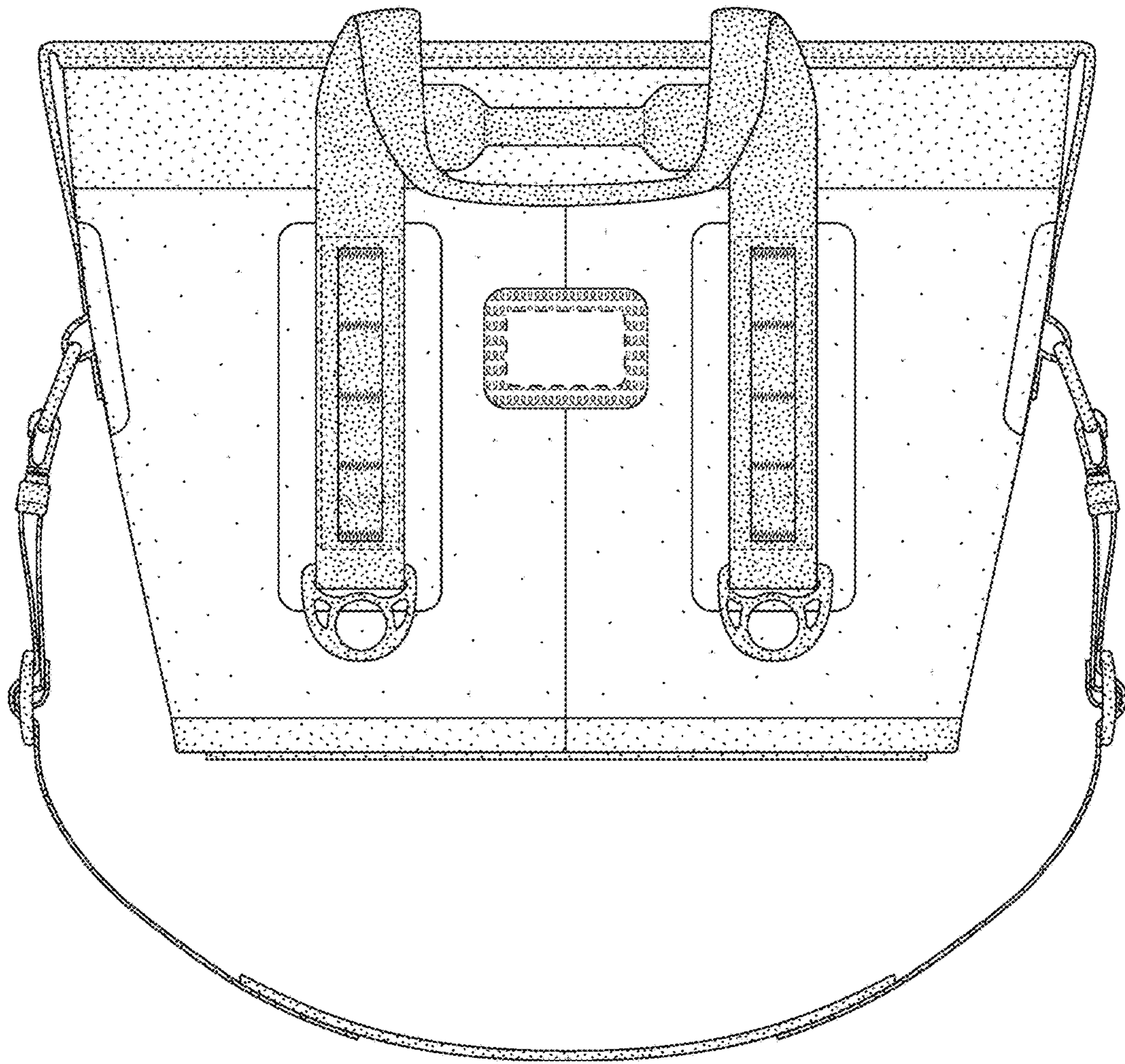


FIG. 3

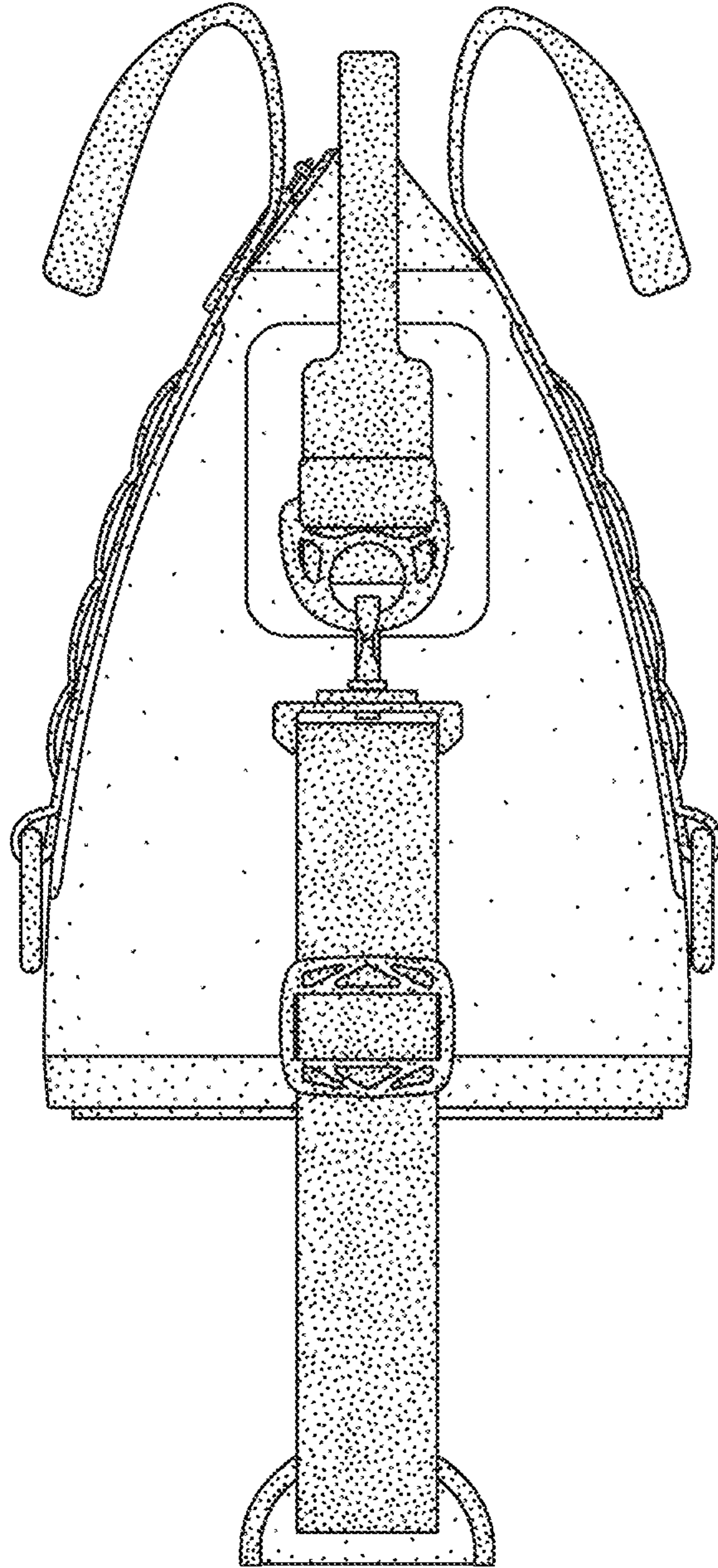


FIG. 4

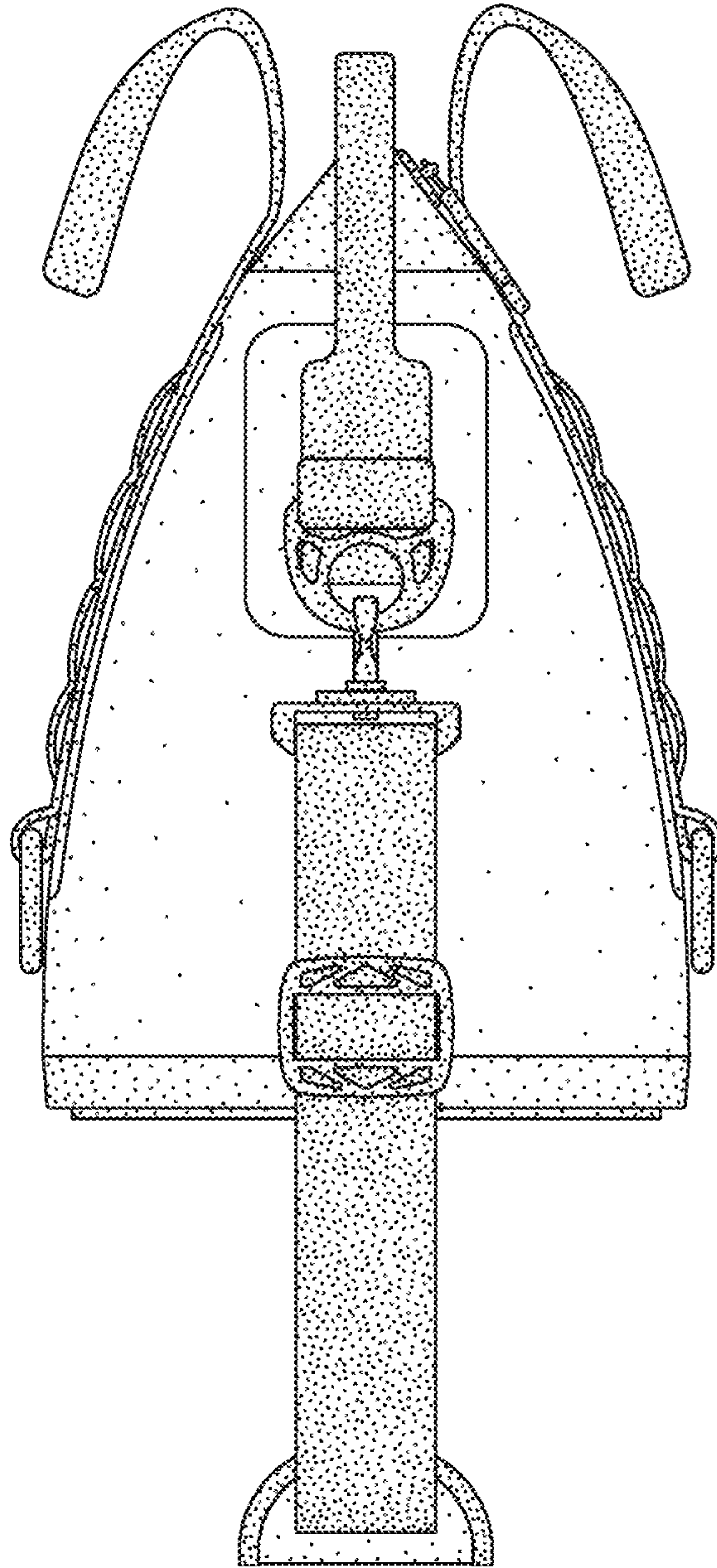


FIG. 5

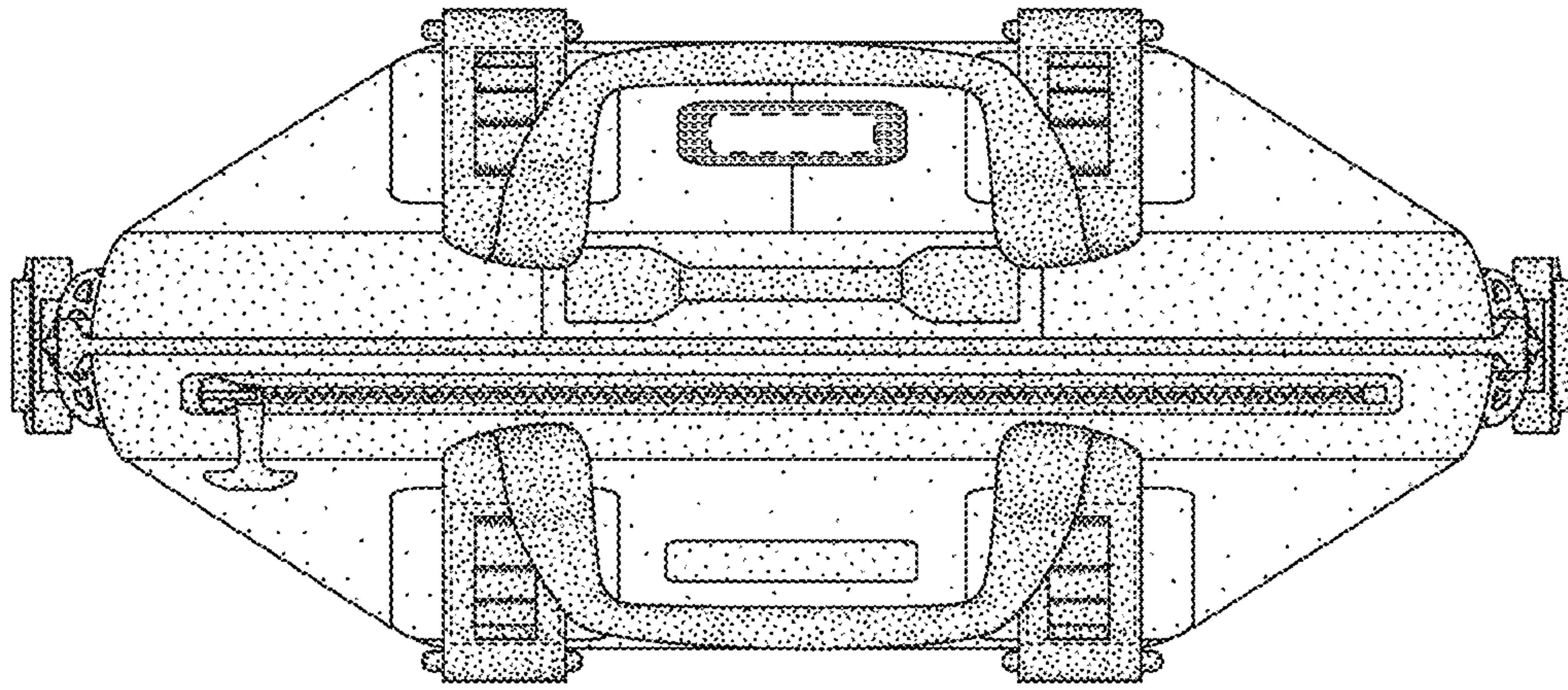


FIG. 6

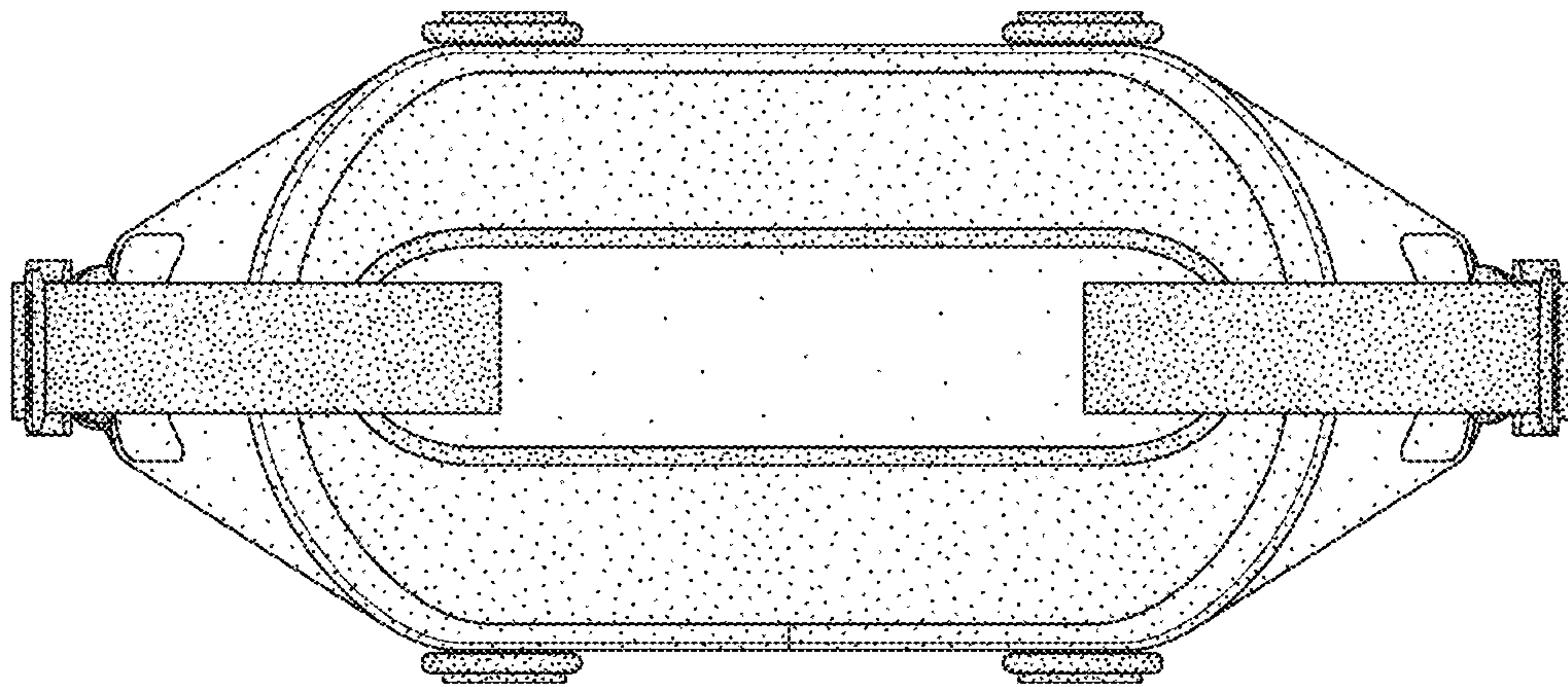


FIG. 7