



US00D805848S

(12) **United States Design Patent** (10) **Patent No.:** **US D805,848 S**
Kerr (45) **Date of Patent:** **** Dec. 26, 2017**

(54) **TRAY**
(71) Applicant: **Peter Kerr**, Seattle, WA (US)
(72) Inventor: **Peter Kerr**, Seattle, WA (US)
(**) Term: **15 Years**
(21) Appl. No.: **29/598,465**
(22) Filed: **Mar. 27, 2017**
(51) **LOC (10) Cl.** **07-01**
(52) **U.S. Cl.**
USPC **D7/554.4**
(58) **Field of Classification Search**
USPC D6/582; D7/368, 388, 396.1, 397, 402,
D7/500, 550.1, 554.3, 554.4
CPC A47G 23/06; A47G 23/0608; B65D 1/00;
B65D 1/34; B60N 3/04; B60N 3/044
See application file for complete search history.

D501,760 S 2/2005 Bukowski
D519,278 S 4/2006 Boerma
D520,304 S 5/2006 Kilders
D522,314 S * 6/2006 Warner D7/545
D539,075 S * 3/2007 Schuler D7/354
D543,075 S 5/2007 Ablo
D550,043 S 9/2007 Brattoli
D565,905 S 4/2008 Valderrama
D573,412 S 7/2008 Ablo
D573,940 S * 7/2008 Heneghan D12/425
D575,590 S * 8/2008 Ablo D7/586
D577,223 S * 9/2008 Durmon, Jr. D6/406.5
D578,811 S * 10/2008 Gervasi D6/705
D584,923 S * 1/2009 Scherer D7/554.3
D631,276 S * 1/2011 White D6/582
D677,154 S * 3/2013 Miller D9/424
D700,003 S * 2/2014 Lagsdin D7/354
D710,059 S * 7/2014 Risser D30/121
D710,123 S * 8/2014 Wright D6/406.3
D730,588 S * 5/2015 Risser D30/121
D743,185 S * 11/2015 Elliott D6/582

(Continued)

Primary Examiner — Kelley Donnelly
(74) *Attorney, Agent, or Firm* — Michael J. Feigin, Esq.;
Feigin and Fridman

(56) **References Cited**

U.S. PATENT DOCUMENTS

D247,649 S * 3/1978 Carroll D3/314
D271,557 S * 11/1983 Schwarzli D7/363
D380,938 S 7/1997 Indekeu
D400,404 S * 11/1998 Indekeu D3/304
D402,850 S 12/1998 Davis
5,862,933 A * 1/1999 Neville A47B 23/002
108/43
5,915,561 A * 6/1999 Lorenzana A47G 23/0608
206/562
D418,909 S * 1/2000 Mockett D23/308
D433,662 S * 11/2000 Fanshaw D12/407
D436,495 S 1/2001 Ferrer
D440,117 S * 4/2001 Claffy D7/553.2
D455,317 S 4/2002 Thurlow
D462,231 S * 9/2002 Kari D7/354
D471,405 S 3/2003 Wellner
D472,430 S 4/2003 Scherer

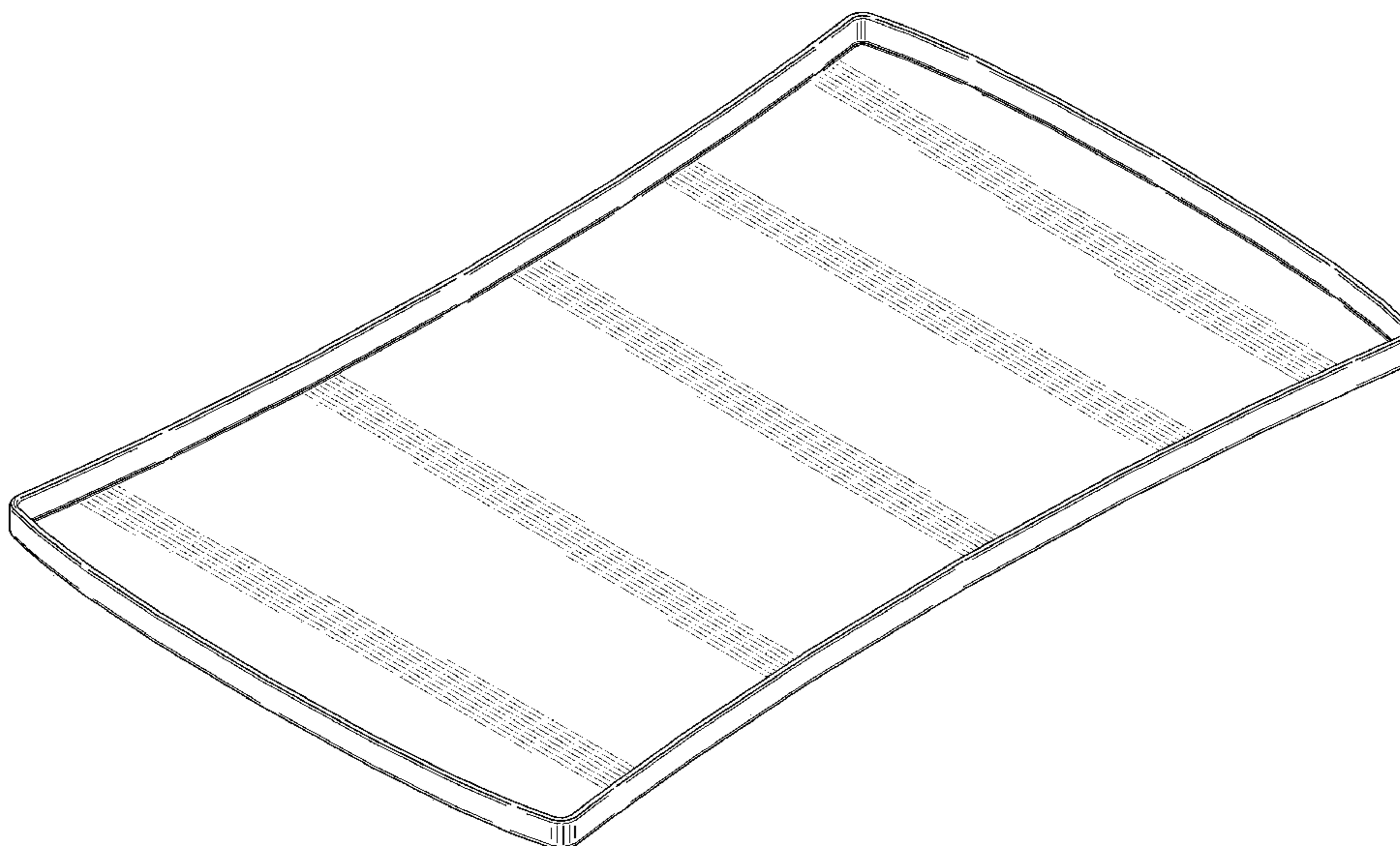
(57) **CLAIM**

The ornamental design for a tray, as shown and described.

DESCRIPTION

FIG. 1 shows a top and side perspective view of a tray.
FIG. 2 shows a bottom and side perspective view thereof.
FIG. 3 shows a top plan view thereof.
FIG. 4 shows a bottom plan view thereof.
FIG. 5 shows a long side view thereof, the other long side
being a mirror image thereof.
FIG. 6 shows a short side view thereof, the other short side
being a mirror image thereof; and,
FIG. 7 shows a cross section of section line 7-7 of FIG. 3.

1 Claim, 5 Drawing Sheets



(56)

References Cited

U.S. PATENT DOCUMENTS

D750,848 S * 3/2016 Risser D30/129
D788,538 S * 6/2017 Vukisila D7/587
2009/0239724 A1* 9/2009 White A63B 21/4037
482/142

* cited by examiner

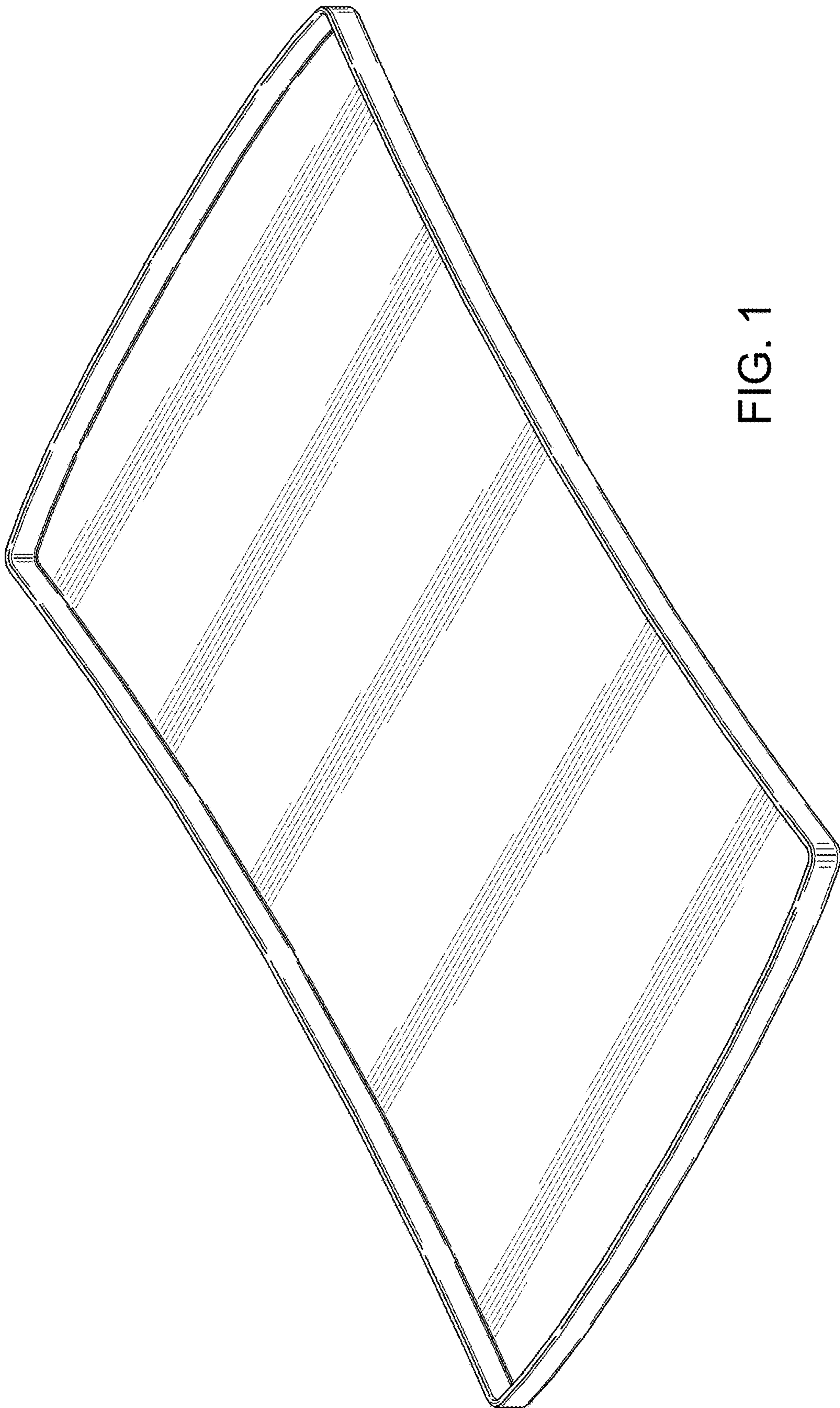


FIG. 1

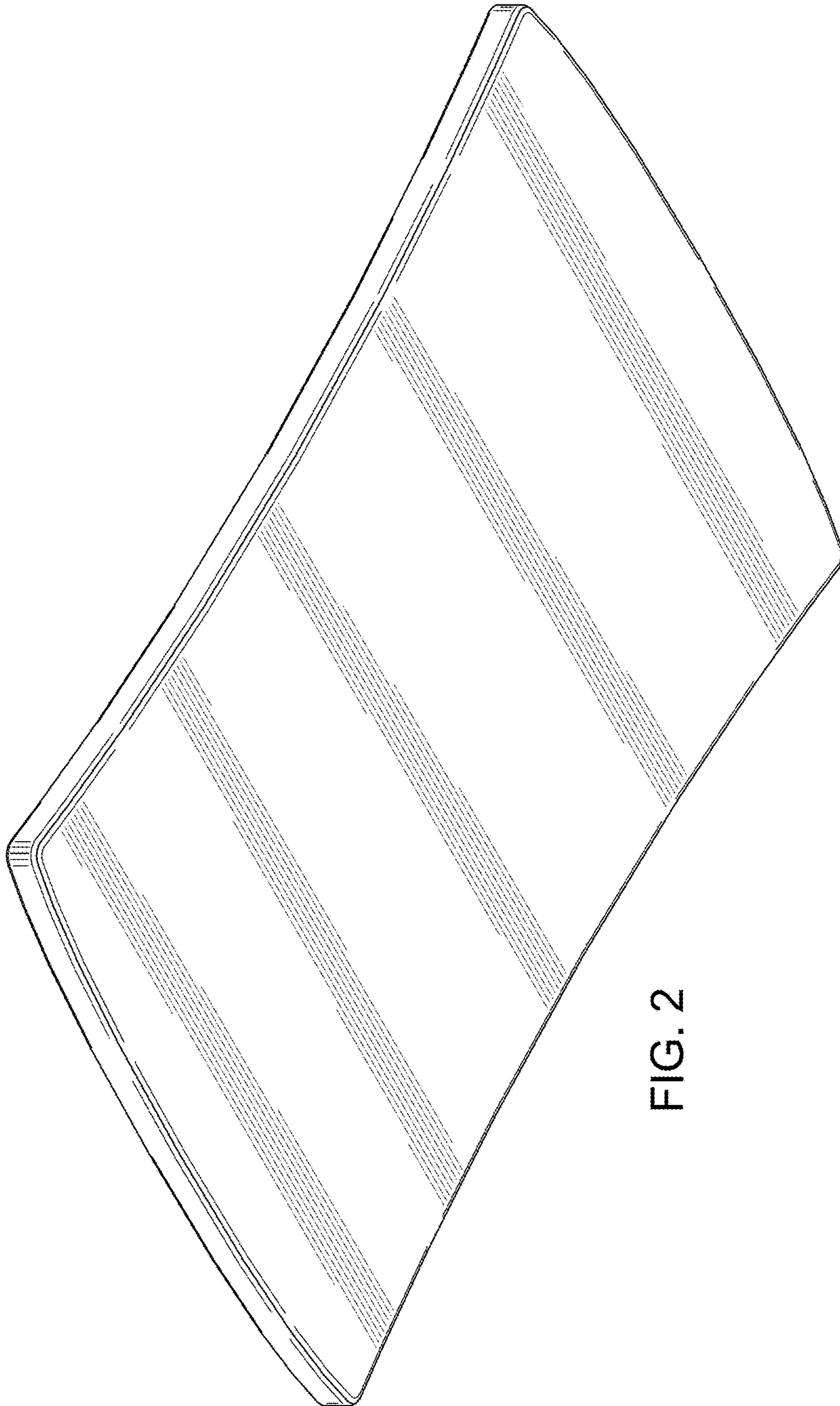


FIG. 2

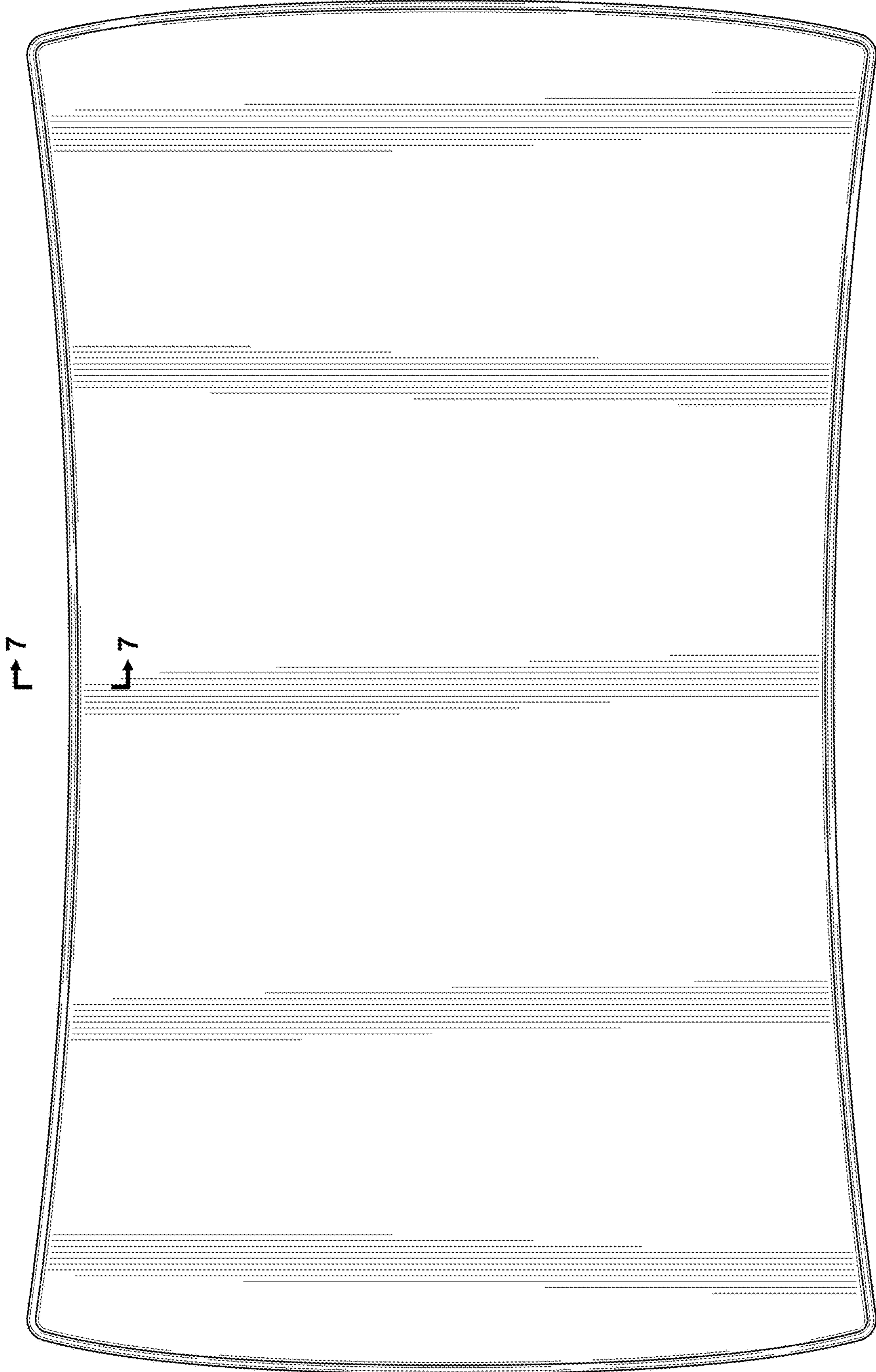


FIG. 3

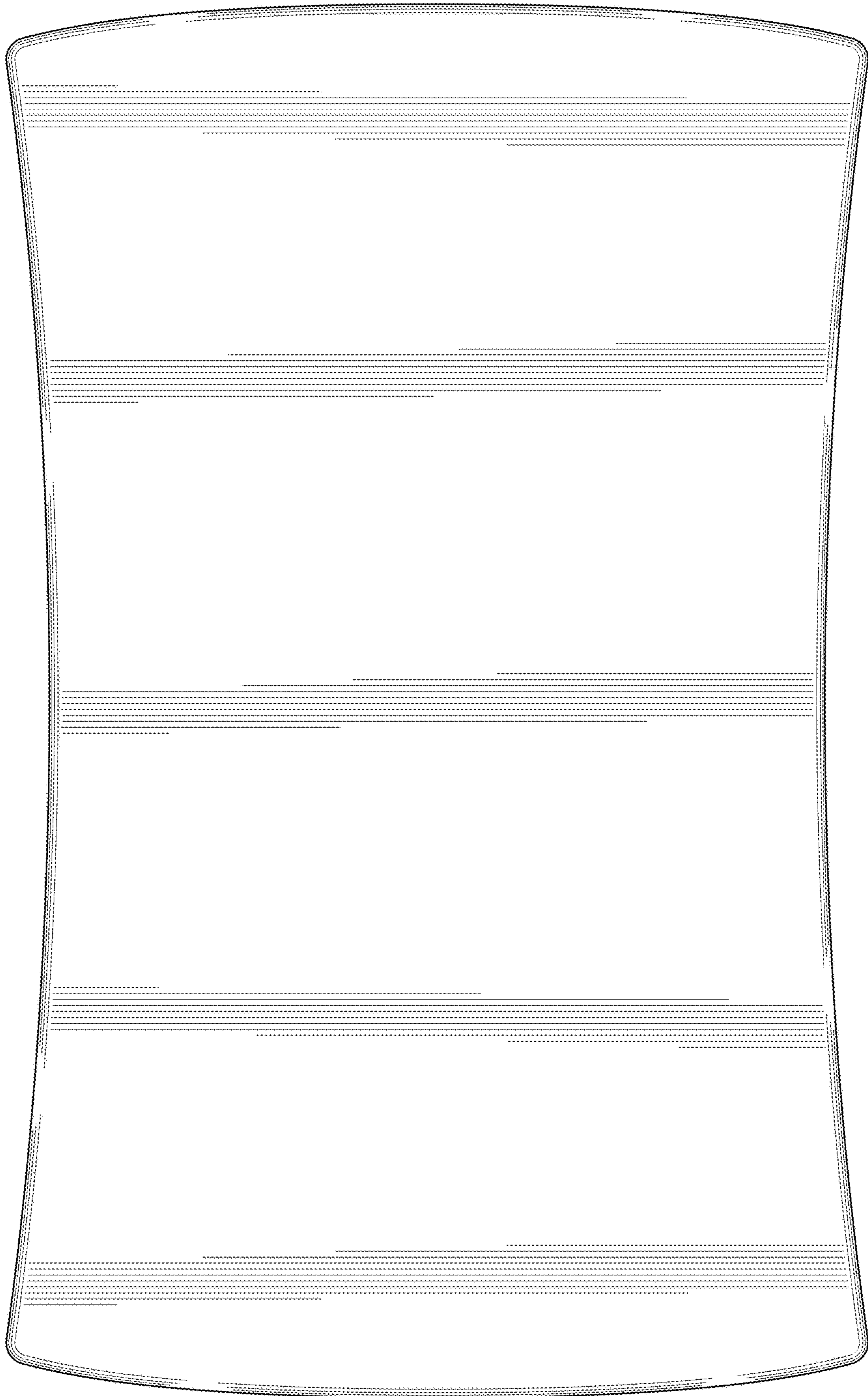


FIG. 4

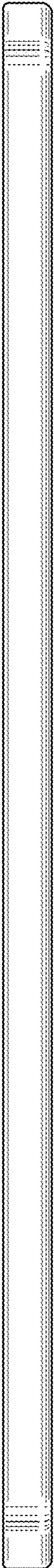


FIG. 5



FIG. 6

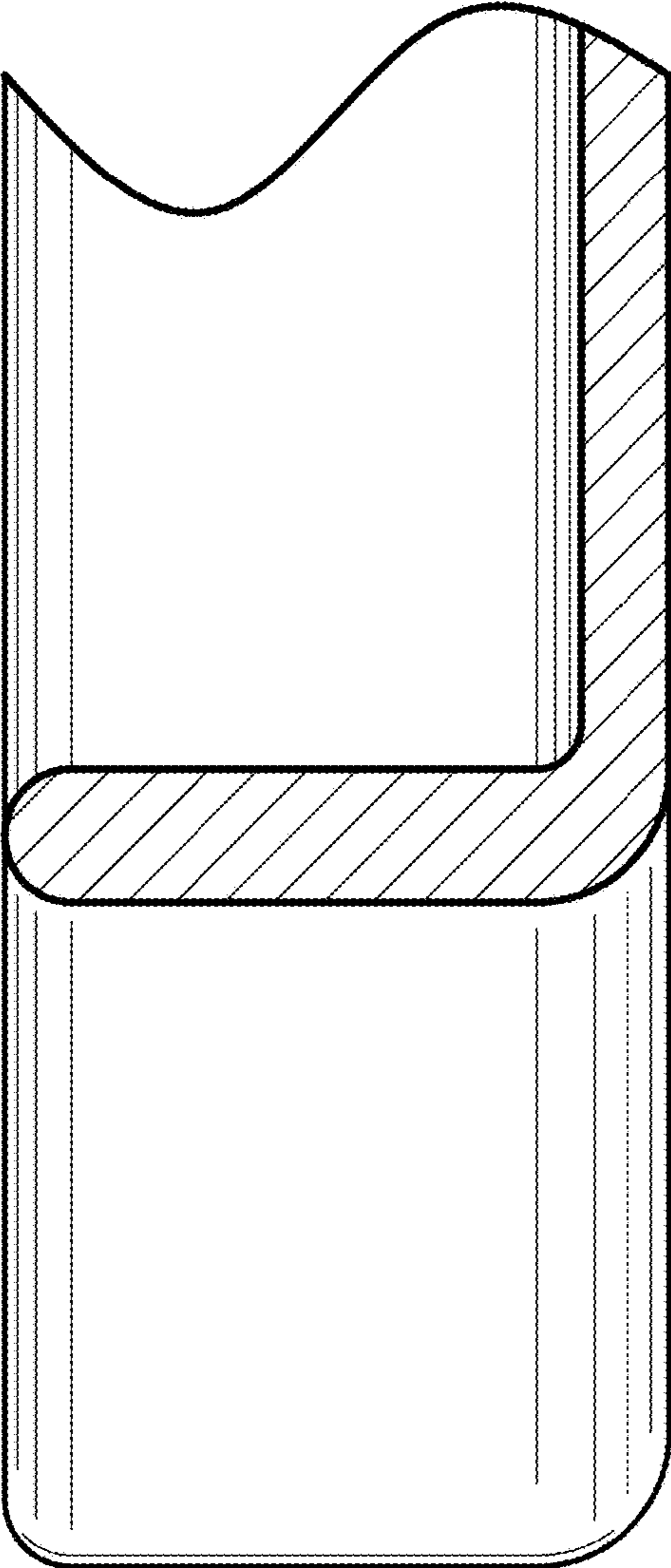


FIG. 7