



US00D805847S

(12) **United States Design Patent**
Sandoval

(10) **Patent No.:** **US D805,847 S**

(45) **Date of Patent:** **** Dec. 26, 2017**

(54) **BEVERAGE CONTAINER**

(71) Applicant: **IGNITE USA, LLC**, Chicago, IL (US)

(72) Inventor: **Rachel Sandoval**, Chicago, IL (US)

(73) Assignee: **IGNITE USA, LLC**, Chicago, IL (US)

(**) Term: **15 Years**

(21) Appl. No.: **29/588,053**

(22) Filed: **Dec. 16, 2016**

(51) **LOC (10) Cl.** **07-01**

(52) **U.S. Cl.**

USPC **D7/510; D7/511; D7/523; D7/532**

(58) **Field of Classification Search**

USPC D7/507, 509, 510, 511, 523, 527, 529,
D7/531, 532, 533, 534, 535, 536, 608,
D7/300, 300.1, 300.2; D34/39; D9/503,
D9/907, 531; 220/592.16, 592.17,
220/495.03, 705-710

CPC A47G 19/22; A47G 19/2205; A47G
19/2222; A45F 3/16; A45F 3/20; B67D
7/06; B67D 1/0004; B65D 25/14

See application file for complete search history.

(56) **References Cited**

U.S. PATENT DOCUMENTS

4,247,016	A *	1/1981	Shaw	A47G 21/18 220/708
4,494,668	A *	1/1985	Lottick	A47G 19/2266 215/229
5,361,935	A *	11/1994	Sagucio	A47G 19/2266 215/229
D364,314	S *	11/1995	Humphrey	D7/510
D364,316	S *	11/1995	Humphrey	D7/510
D364,317	S *	11/1995	Humphrey	D7/510
D412,806	S *	8/1999	Pierce	D7/300.1
D457,389	S *	5/2002	Snell	D7/396.2
D471,064	S *	3/2003	Renz	D7/509
D476,857	S *	7/2003	Holsinger	D7/523
D488,348	S *	4/2004	Liu	D7/509
D488,672	S *	4/2004	Oas	D7/507

D505,831	S *	6/2005	Liu	D7/510
D587,528	S *	3/2009	Trombly	D7/536
D640,094	S *	6/2011	Carlson	D7/510
D648,985	S *	11/2011	Chiu	D7/510
D674,241	S *	1/2013	Bickert	D7/510

(Continued)

OTHER PUBLICATIONS

https://www.amazon.com/Tumbler-Insulated-Stainless-Steel-Greens/dp/B072BWYFMW/ref=pd_sbs_79_4?_encoding=UTF8&psc=1&refRID=TX9N0PCYSX74W69KDEFK
First available Apr. 2, 2016.*

Primary Examiner — Marianne Pandozzi

Assistant Examiner — Jae Liang

(74) *Attorney, Agent, or Firm* — Marshall, Gerstein & Borun LLP

(57) **CLAIM**

The ornamental design for a beverage container, as shown and described.

DESCRIPTION

FIG. 1 is a top perspective view of a beverage container showing my new design;

FIG. 2 is a front view of the beverage container shown in FIG. 1;

FIG. 3 is a rear view of the beverage container shown in FIG. 1;

FIG. 4 is a left side view of the beverage container shown in FIG. 1;

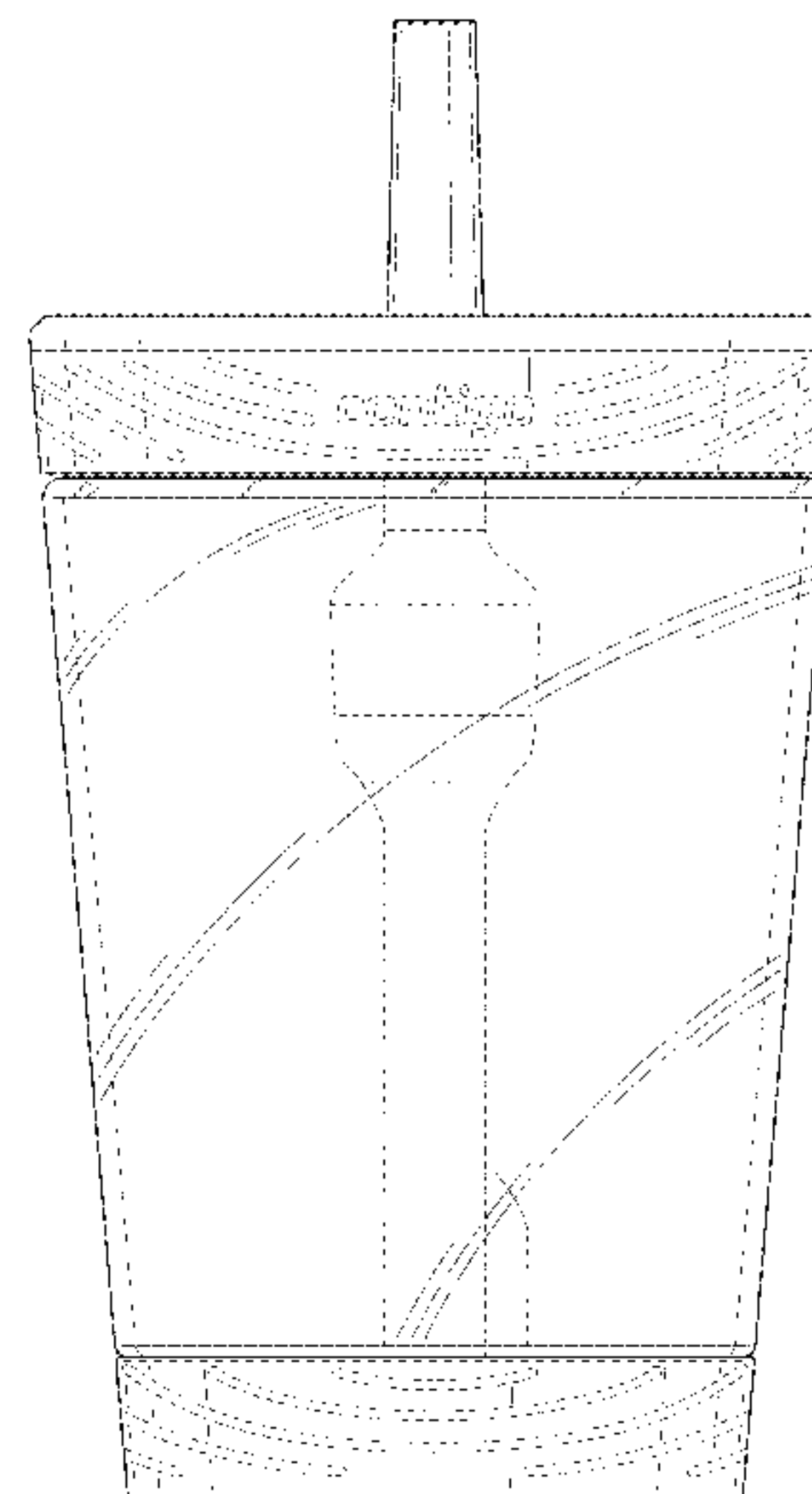
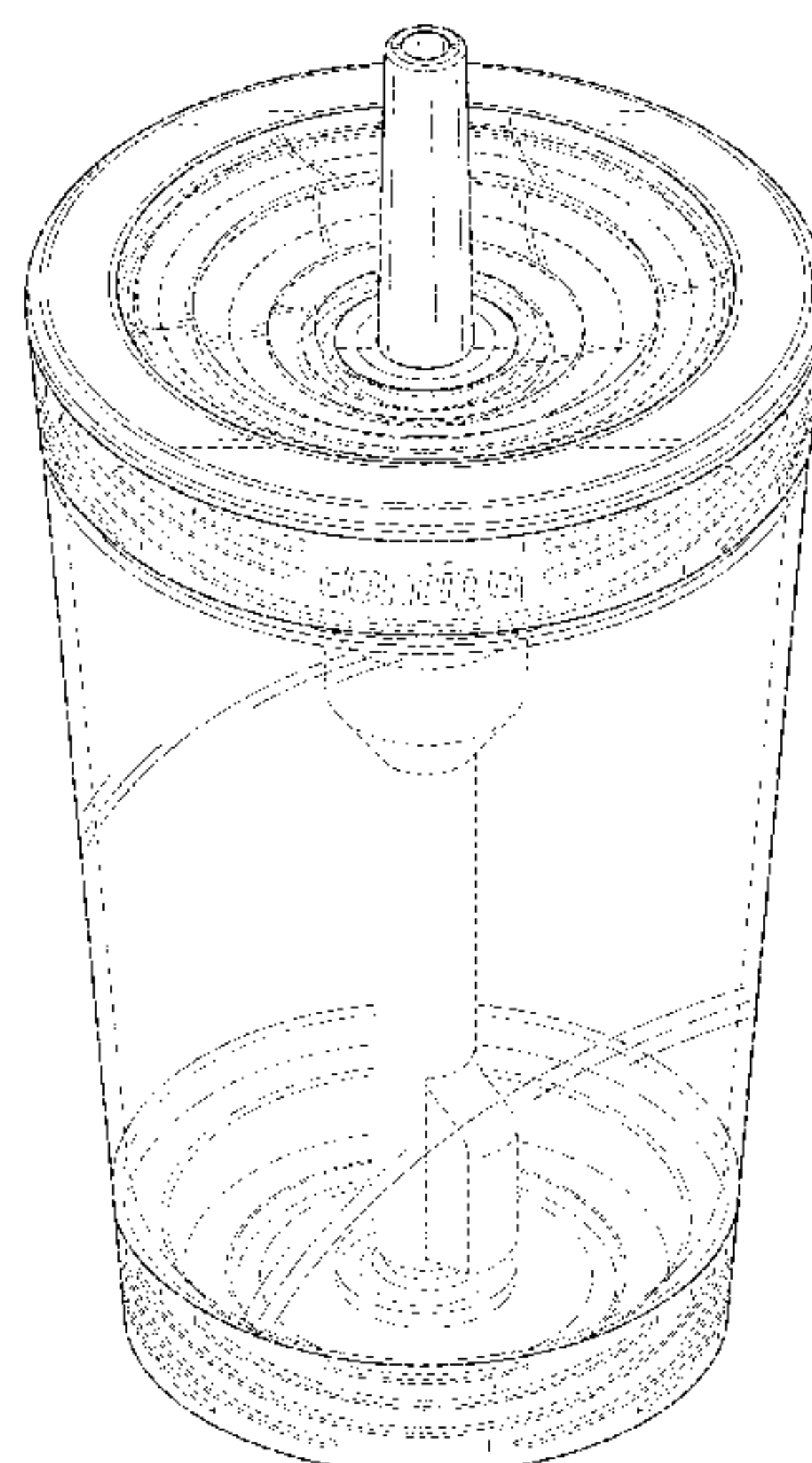
FIG. 5 is a right side view of the beverage container shown in FIG. 1;

FIG. 6 is a top view of the beverage container shown in FIG. 1; and,

FIG. 7 is a bottom view of the beverage container shown in FIG. 1.

The broken lines in the drawing depict portions of the beverage container that form no part of the claimed design.

1 Claim, 7 Drawing Sheets



(56)

References Cited

U.S. PATENT DOCUMENTS

D688,523	S *	8/2013	Lees	D7/510
D700,513	S *	3/2014	Carsrud	D9/447
D721,920	S *	2/2015	Coon	D7/510
D723,871	S *	3/2015	Khubani	D7/505
D726,499	S *	4/2015	Kim	D7/510
D736,034	S *	8/2015	Spivey	D7/510
D764,870	S *	8/2016	Choi	D7/507
D769,069	S *	10/2016	Sanbar	D7/507
D778,676	S *	2/2017	Maple	D7/510
D782,875	S *	4/2017	Matthis	D7/300.2
D789,743	S *	6/2017	Washburn	D7/507
D790,276	S *	6/2017	Lane	D7/507
2006/0138153	A1 *	6/2006	Chen	A63H 29/10 220/705
2011/0062168	A1 *	3/2011	Chow	B65D 1/04 220/705
2012/0091142	A1 *	4/2012	Jamison	A47G 19/2222 220/371
2012/0247998	A1 *	10/2012	Wahl	B65D 1/265 206/459.5
2015/0265078	A1 *	9/2015	Goosman	A47G 19/2222 220/707
2015/0320246	A1 *	11/2015	Jorge	A47G 19/2222 220/592.17

* cited by examiner

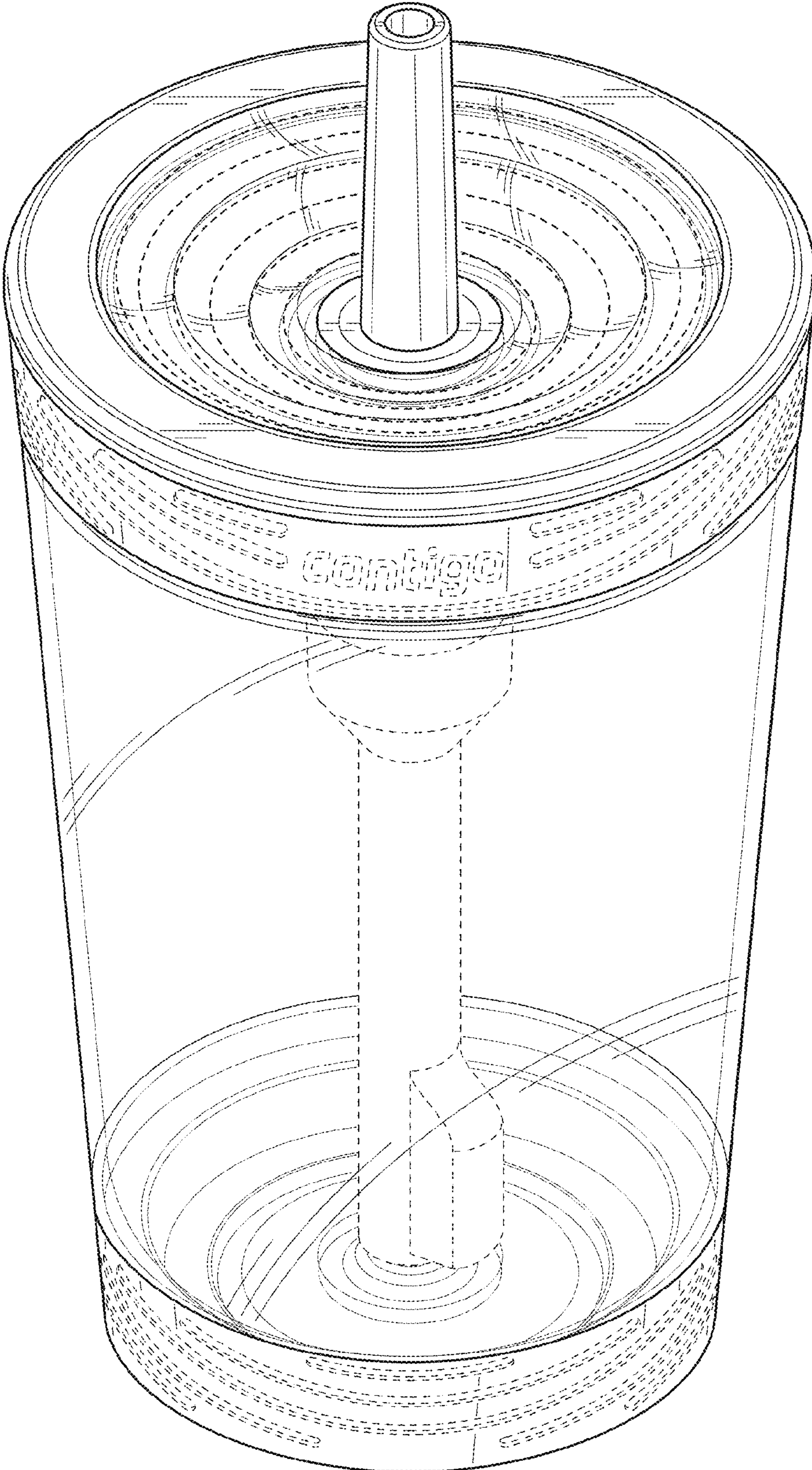


FIG. 1

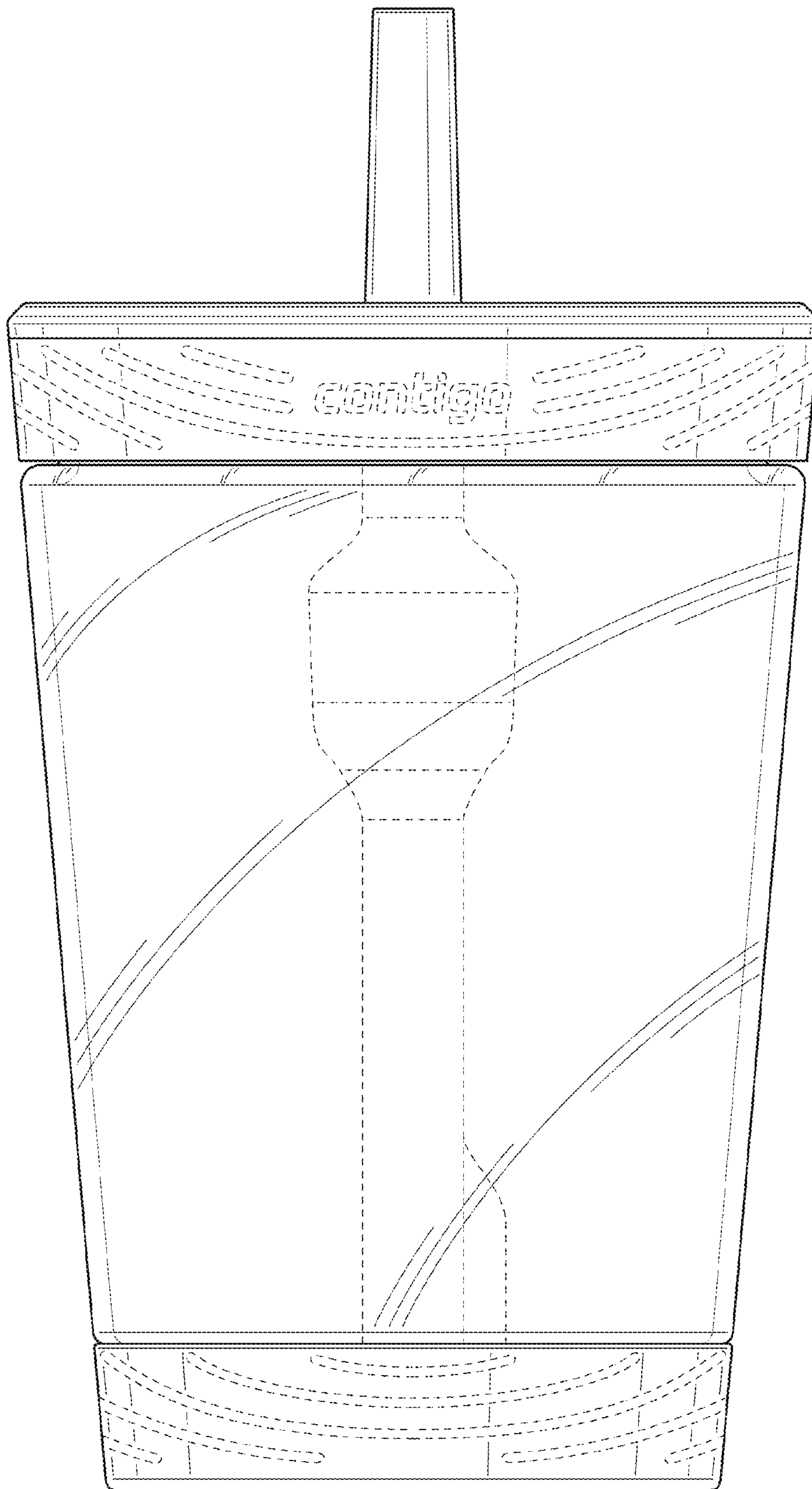


FIG. 2

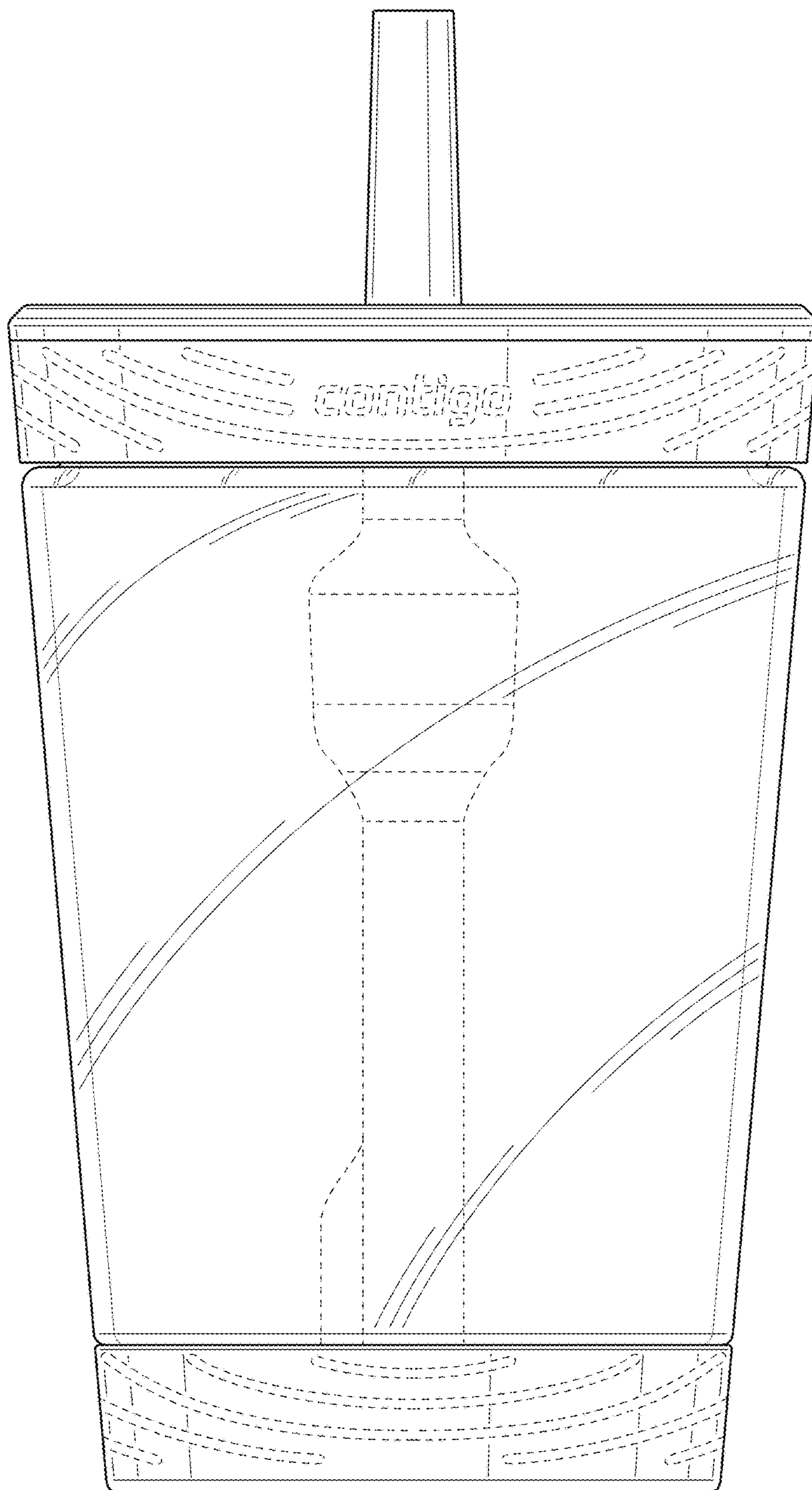


FIG. 3

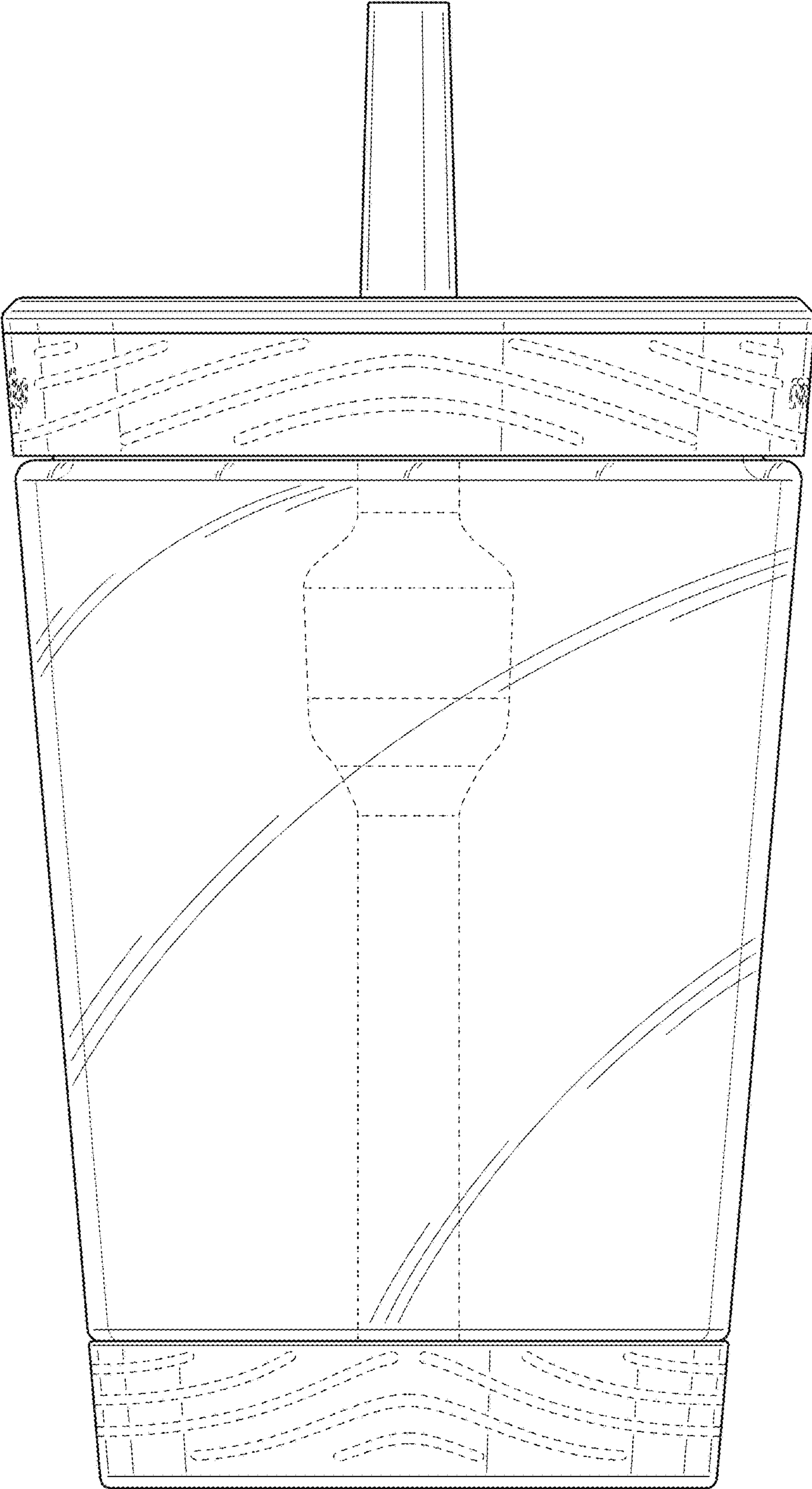


FIG. 4

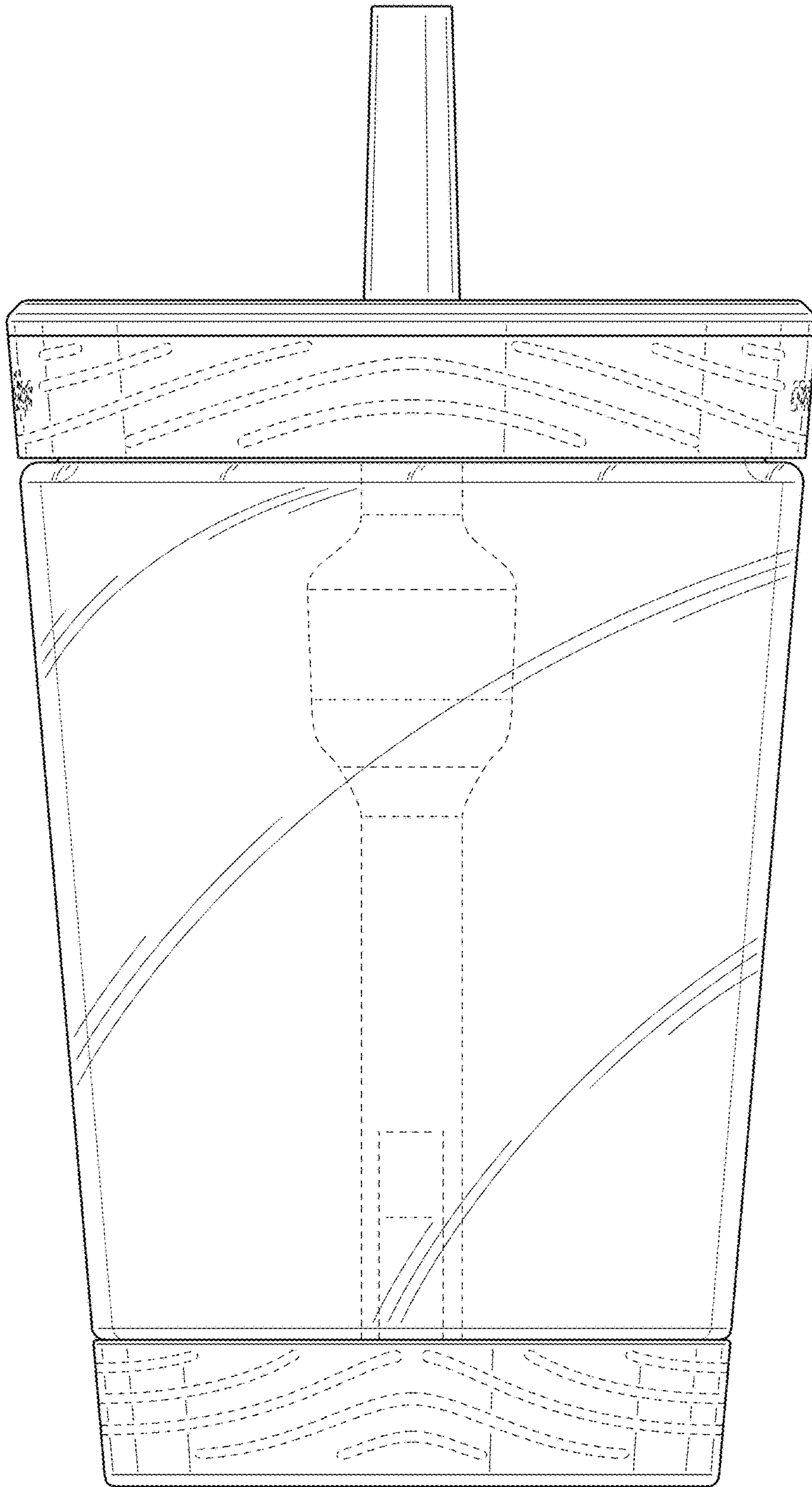


FIG. 5

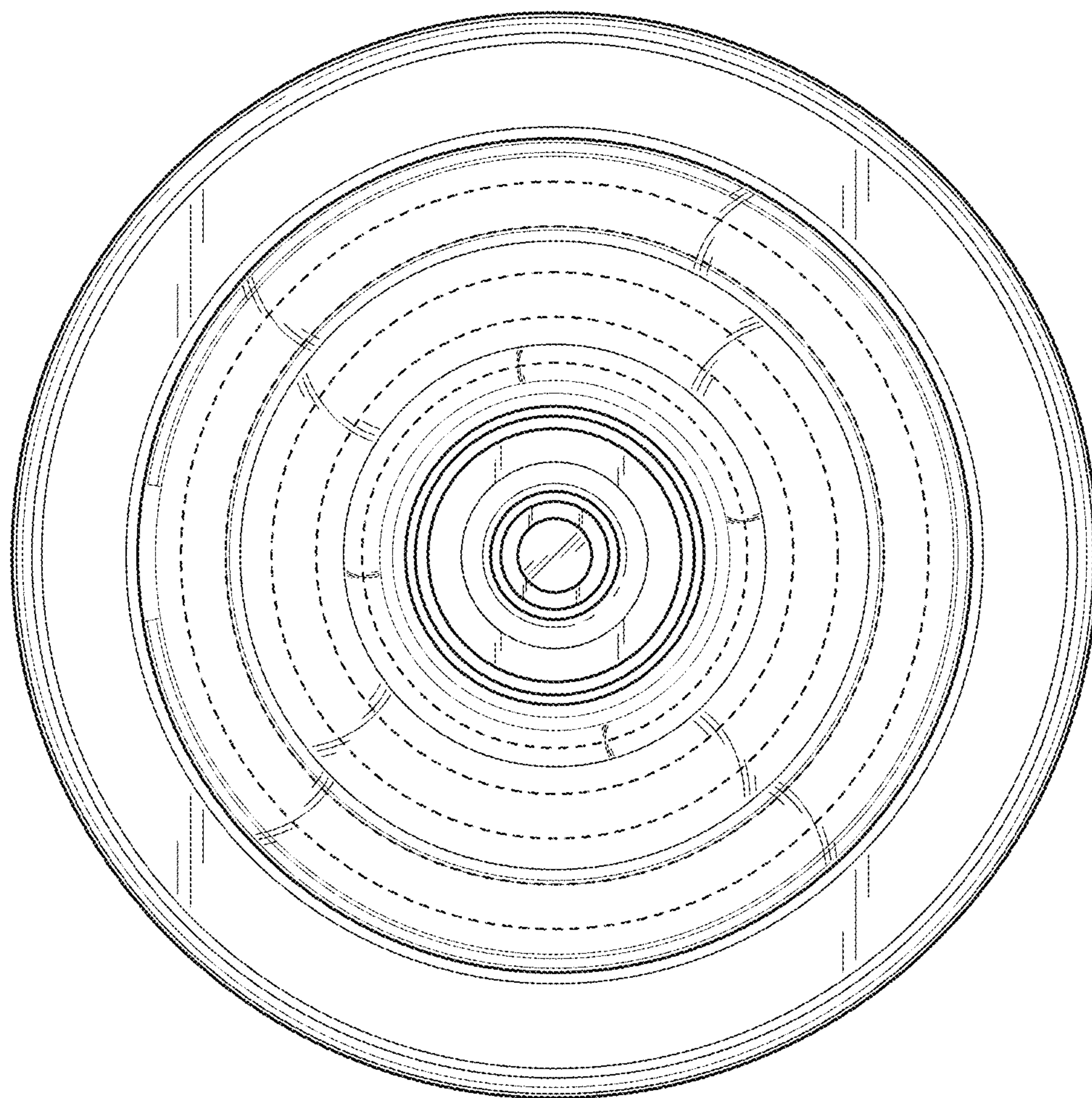


FIG. 6

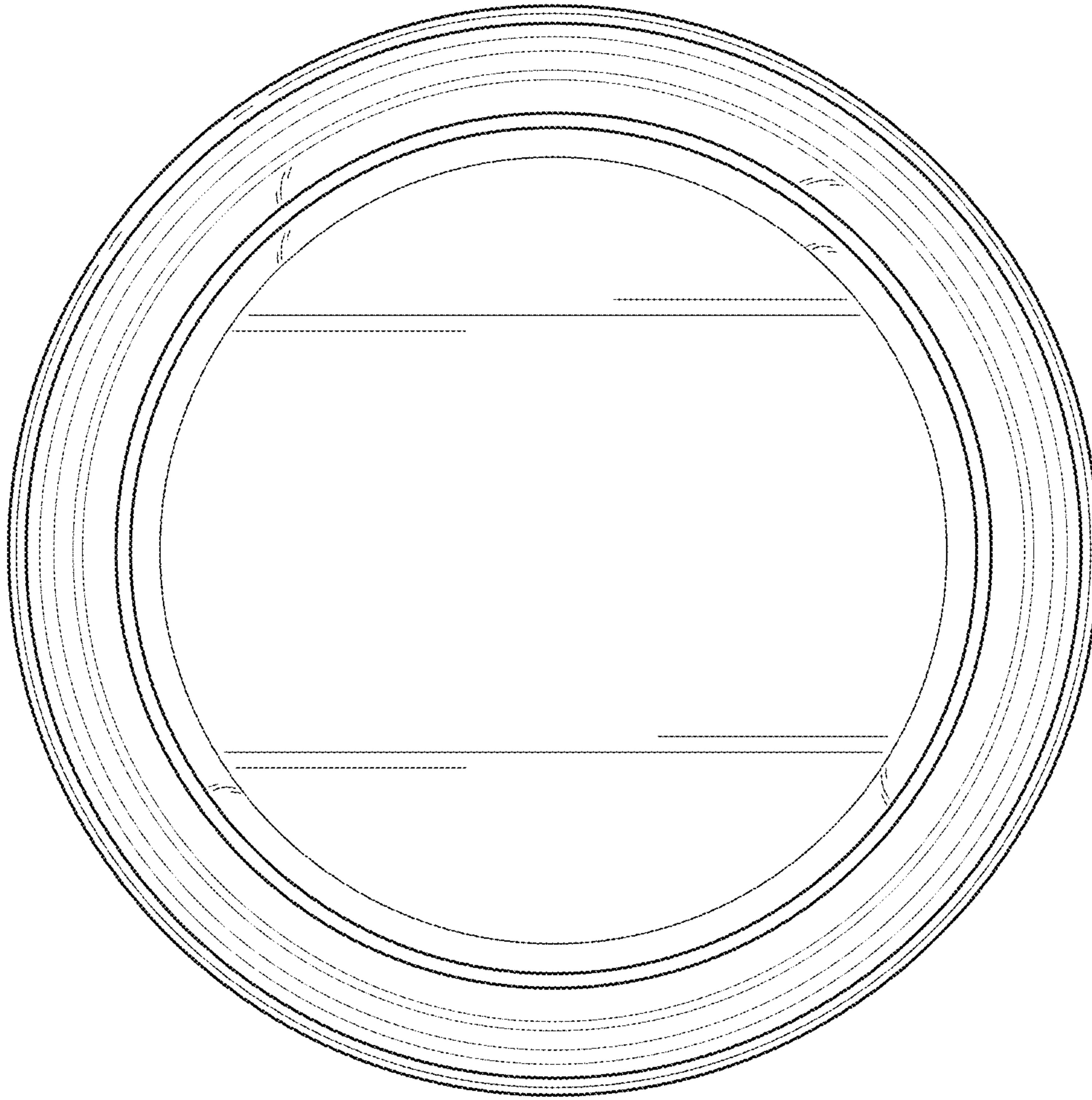


FIG. 7