



US00D805846S

(12) **United States Design Patent**
Kirkpatrick

(10) **Patent No.:** **US D805,846 S**

(45) **Date of Patent:** **** Dec. 26, 2017**

(54) **MUG**

(71) Applicant: **MAMMOTH MUG INC.**, Waterloo (CA)

(72) Inventor: **Joe Kirkpatrick**, Waterloo (CA)

(73) Assignee: **MAMMOTH MUG INC.**, Waterloo

(**) Term: **15 Years**

(21) Appl. No.: **29/556,272**

(22) Filed: **Feb. 29, 2016**

Related U.S. Application Data

(63) Continuation of application No. 29/545,906, filed on Nov. 17, 2015, now Pat. No. Des. 750,434.

(51) **LOC (10) Cl.** **07-01**

(52) **U.S. Cl.**
USPC **D7/510; D7/511; D9/531**

(58) **Field of Classification Search**

USPC D7/300.1, 376, 378, 510, 511, 900, 536, D7/317, 318, 319; D9/443, 449, 396.2, D9/392.1, 531, 540, 557, 549; 220/703, 220/710, 705, 596.16, 592.17, 713

CPC B65D 53/00; B65D 51/16; A47G 19/22
See application file for complete search history.

(56) **References Cited**

U.S. PATENT DOCUMENTS

| | | | |
|--------------|---------|------------------|--------|
| D351,312 S | 10/1994 | Sharon et al. | |
| D355,367 S * | 2/1995 | Rokus | D9/531 |
| D361,039 S * | 8/1995 | Rokus | D9/531 |
| D375,062 S | 10/1996 | Cheiky | |
| D387,661 S | 12/1997 | Adams et al. | |
| D397,942 S * | 9/1998 | Lewis | D9/531 |
| D419,885 S * | 2/2000 | Gonzalez C. | D9/531 |
| D433,636 S * | 11/2000 | Gonzalez C. | D9/531 |
| D470,014 S | 2/2003 | Soehnlen | |

| | | | |
|--------------|---------|-----------------------|------------------------|
| D471,457 S * | 3/2003 | Deichler | D9/502 |
| D474,692 S * | 5/2003 | Yu | D9/531 |
| D487,701 S * | 3/2004 | Thibodeau | D9/531 |
| D490,653 S | 6/2004 | Kleckauskas et al. | |
| D496,222 S * | 9/2004 | Kleckauskas | D7/507 |
| D531,512 S * | 11/2006 | Yu | D9/531 |
| D574,193 S | 8/2008 | Galvin | |
| D580,226 S | 11/2008 | Homma | |
| D592,517 S * | 5/2009 | Brown | D9/531 |
| D605,946 S * | 12/2009 | Manderfield, Jr. | D9/531 |
| D624,822 S * | 10/2010 | Lovelace, Jr. | D9/531 |
| D644,065 S * | 8/2011 | Llerena | D7/300.1 |
| D646,045 S * | 9/2011 | Stamper | D99/35 |
| D651,854 S * | 1/2012 | Cabados | D7/510 |
| D655,131 S * | 3/2012 | Nilsson | A47J 43/27 D7/392.1 |

| | | | |
|--------------|--------|-----------|----------|
| D656,361 S | 3/2012 | Gilbert | |
| D658,445 S | 5/2012 | Carreno | |
| D666,047 S * | 8/2012 | Lin | D7/300.1 |

(Continued)

Primary Examiner — Marianne Pandozzi

(74) *Attorney, Agent, or Firm* — Carlson, Gaskey & Olds, P.C.

(57) **CLAIM**

The ornamental design for a mug, as shown and described.

DESCRIPTION

FIG. 1 is a perspective view of a mug in accordance with the present invention.

FIG. 2 is a rear elevational view thereof;

FIG. 3 is a front elevational view thereof;

FIG. 4 is a left side elevational view thereof;

FIG. 5 is a right side elevational view thereof;

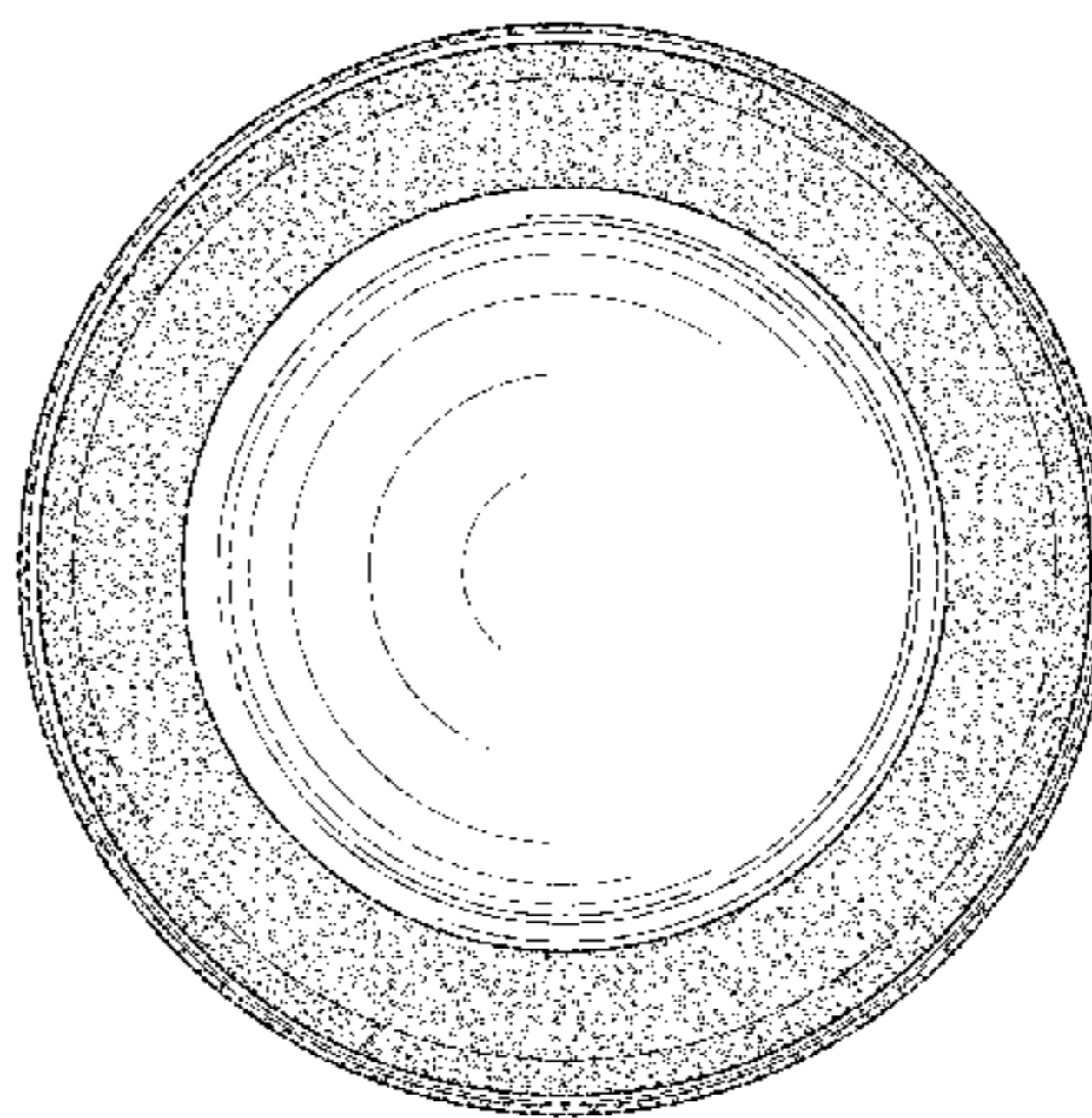
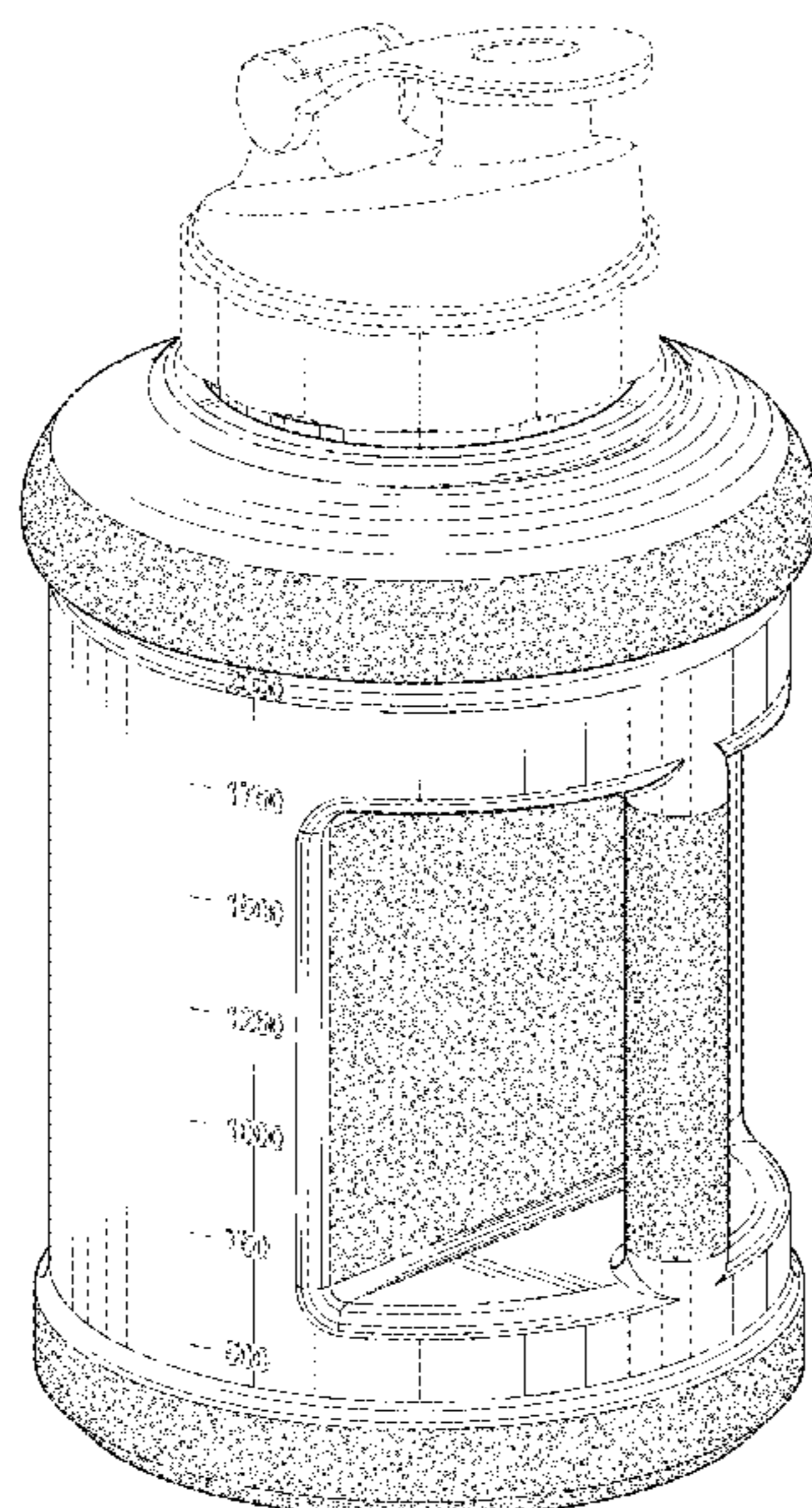
FIG. 6 is a top plan view thereof;

FIG. 7 is a bottom plan view thereof; and,

FIG. 8 is an exploded perspective view thereof.

The broken line depict portions of the mug that forms no part of the claimed design.

1 Claim, 7 Drawing Sheets



(56)

References Cited

U.S. PATENT DOCUMENTS

| | | | | |
|----------|-----|---------|--------------|----------|
| D674,101 | S | 1/2013 | Smith | |
| D683,183 | S | 5/2013 | Dunn et al. | |
| D685,609 | S | 7/2013 | Dunn et al. | |
| D688,520 | S | 8/2013 | Lin | |
| D699,996 | S * | 2/2014 | De Leo | D7/300.1 |
| D719,028 | S * | 12/2014 | Tiet | D9/531 |
| D719,452 | S * | 12/2014 | Tiet | D9/531 |
| D726,018 | S * | 4/2015 | Archer | D9/446 |
| D730,123 | S * | 5/2015 | He | D7/511 |
| D745,799 | S * | 12/2015 | Lipson | D7/300 |

* cited by examiner

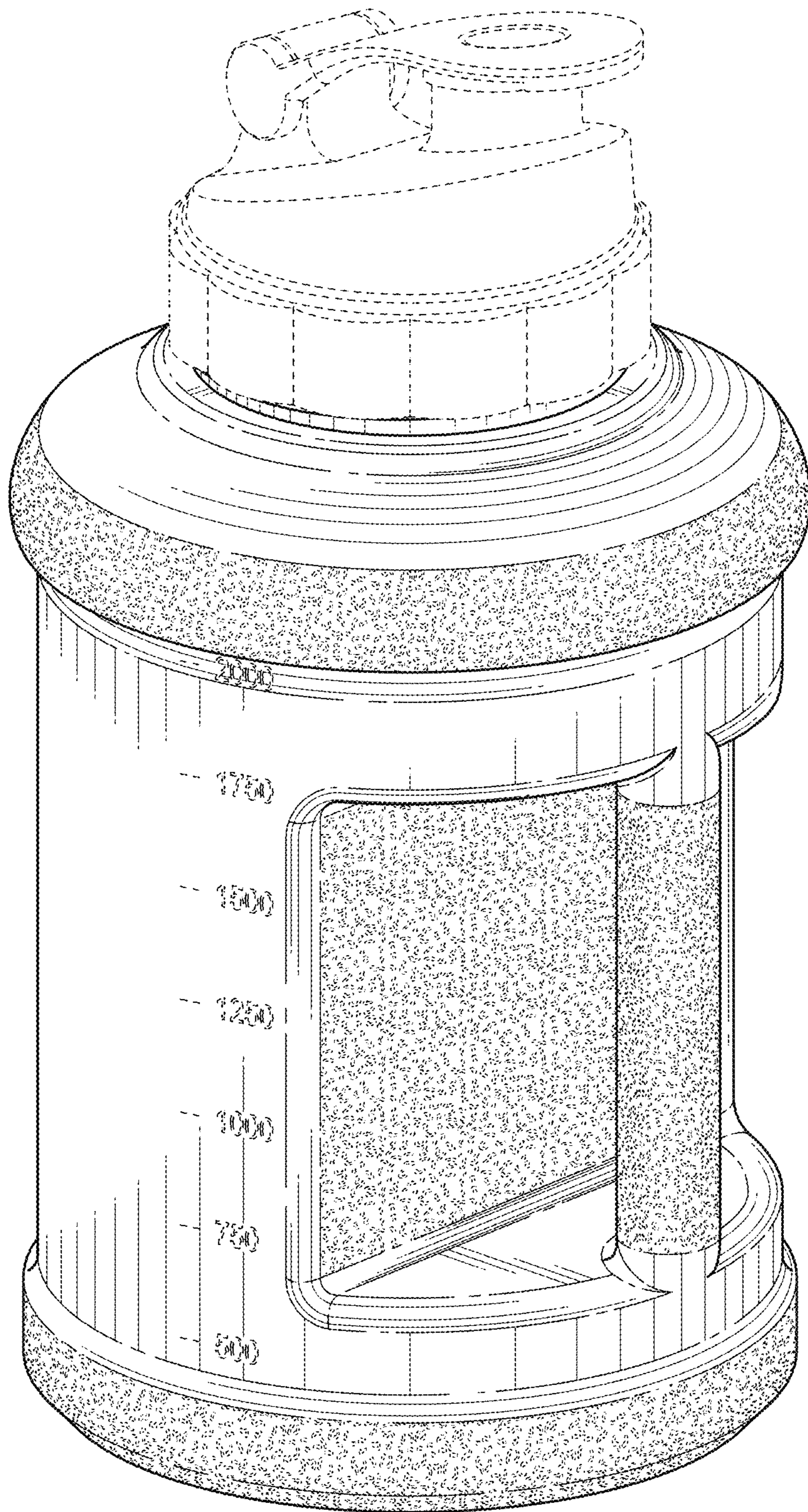


FIG. 1

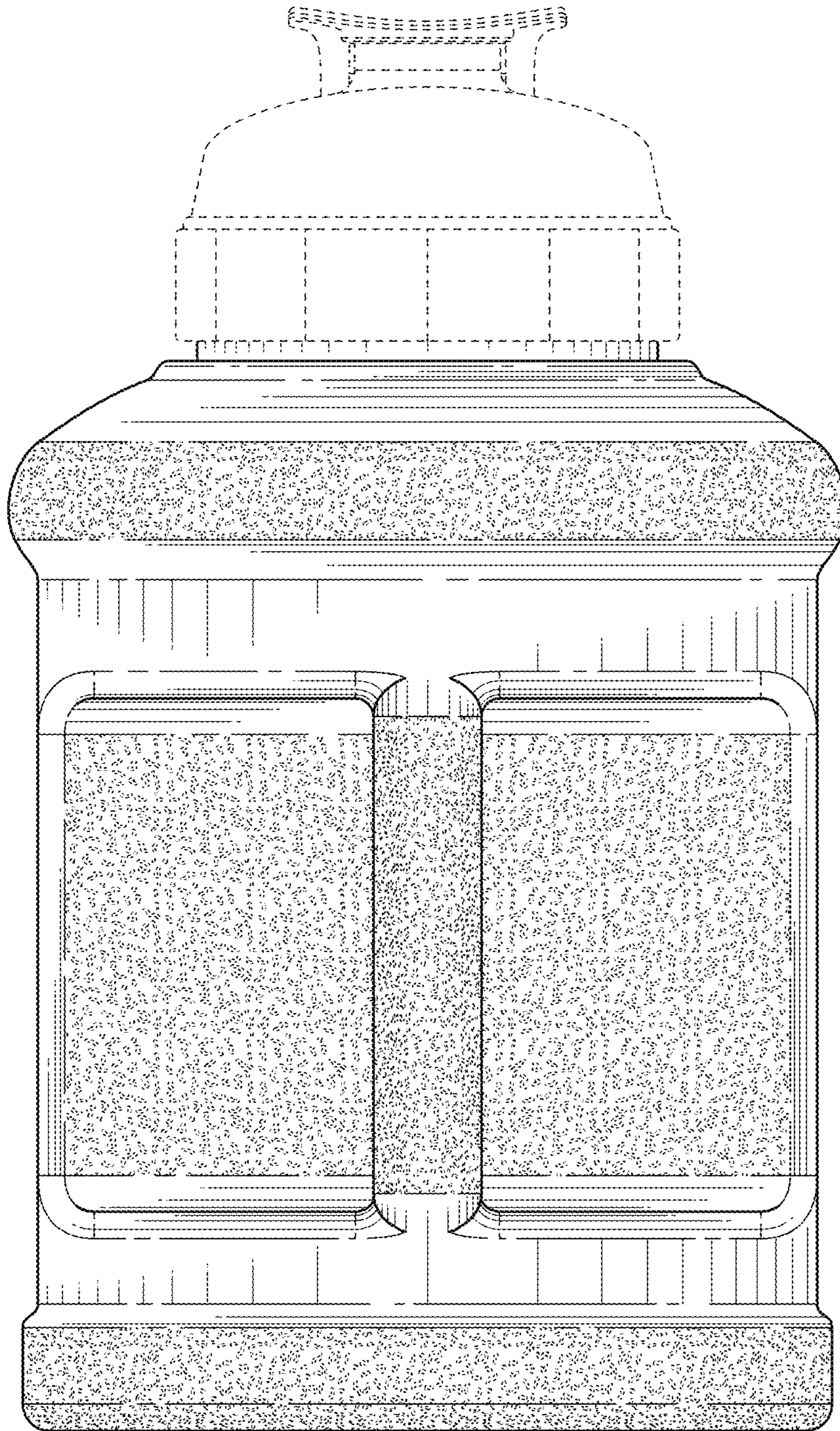


FIG. 2

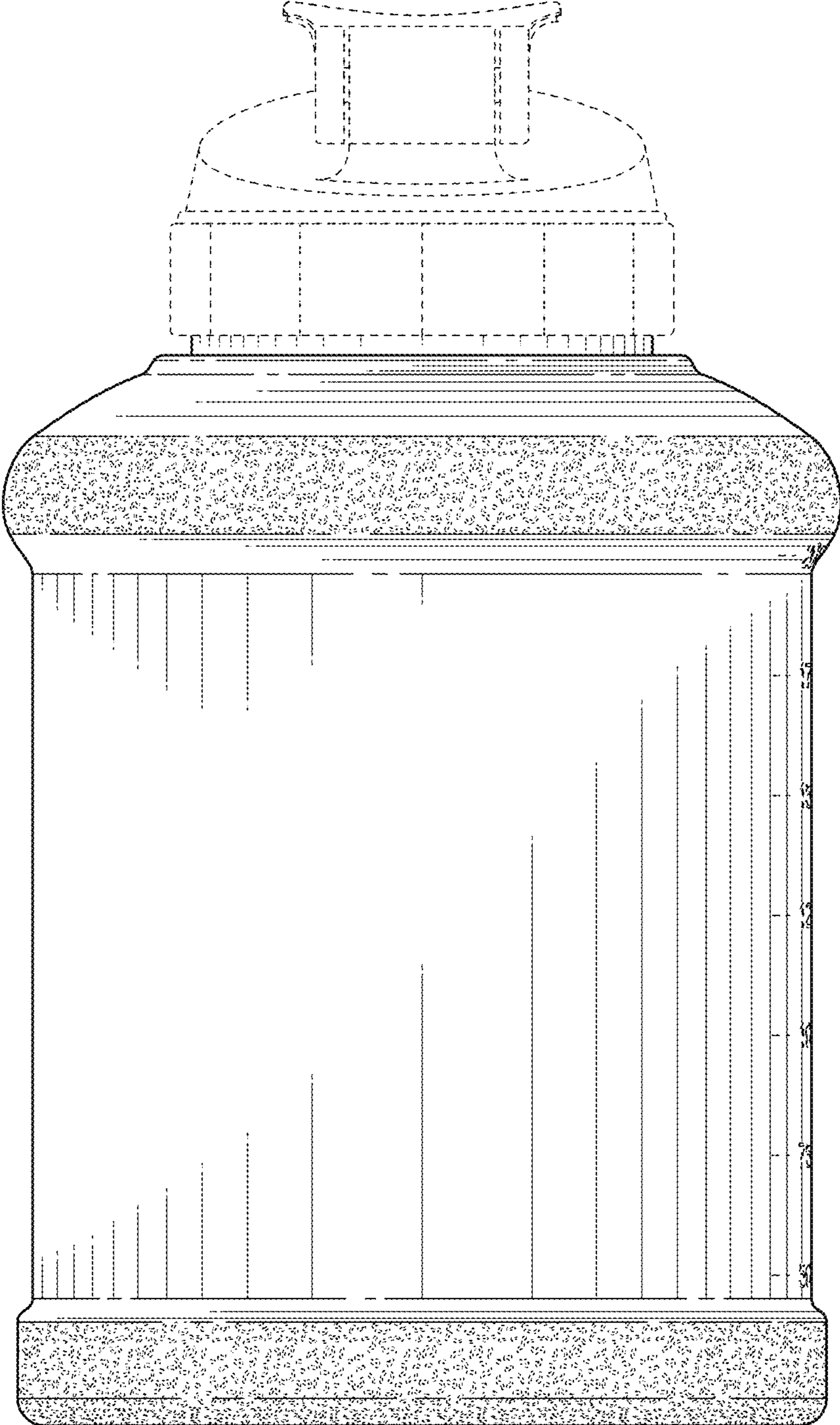


FIG. 3

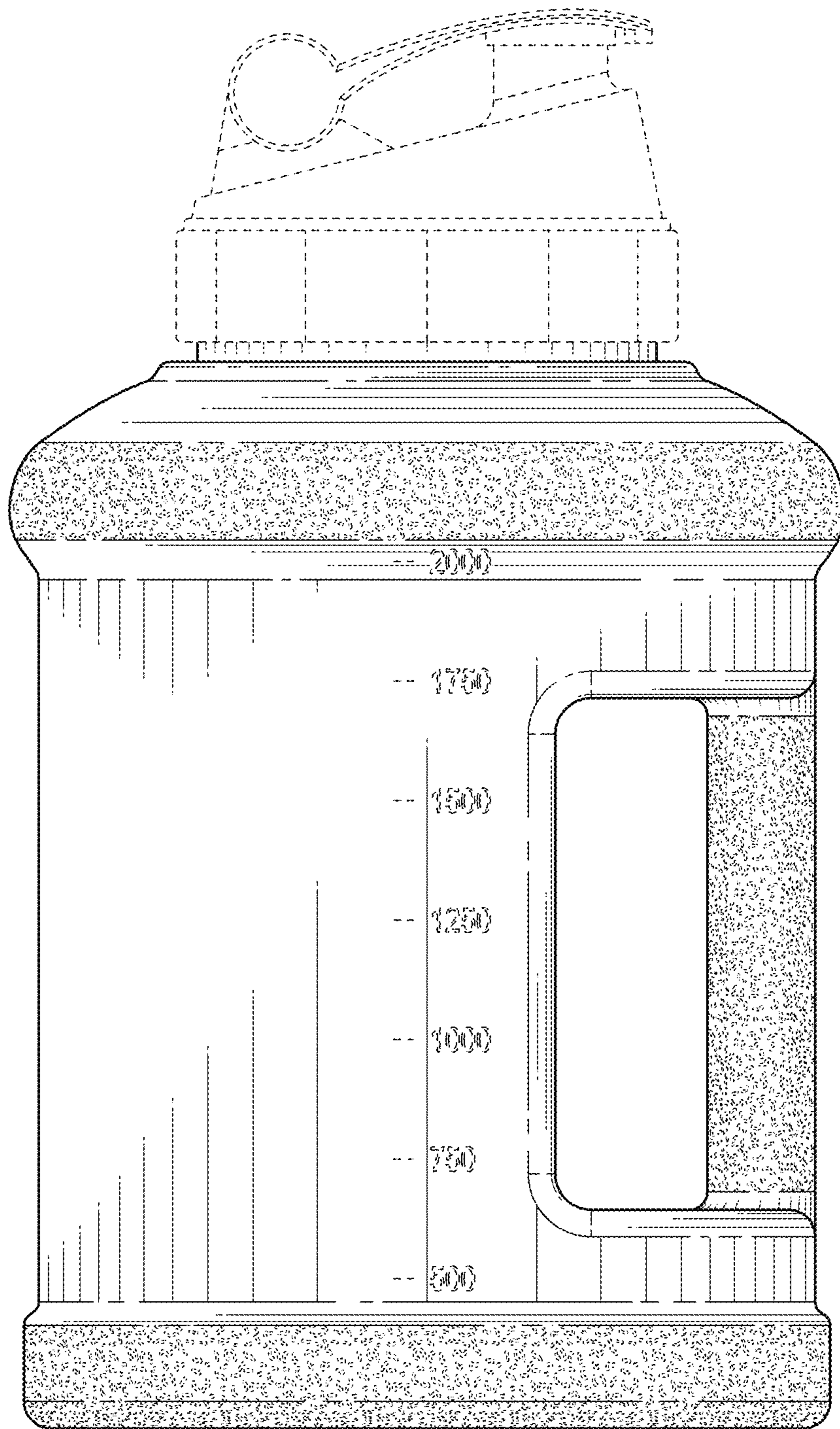


FIG. 4

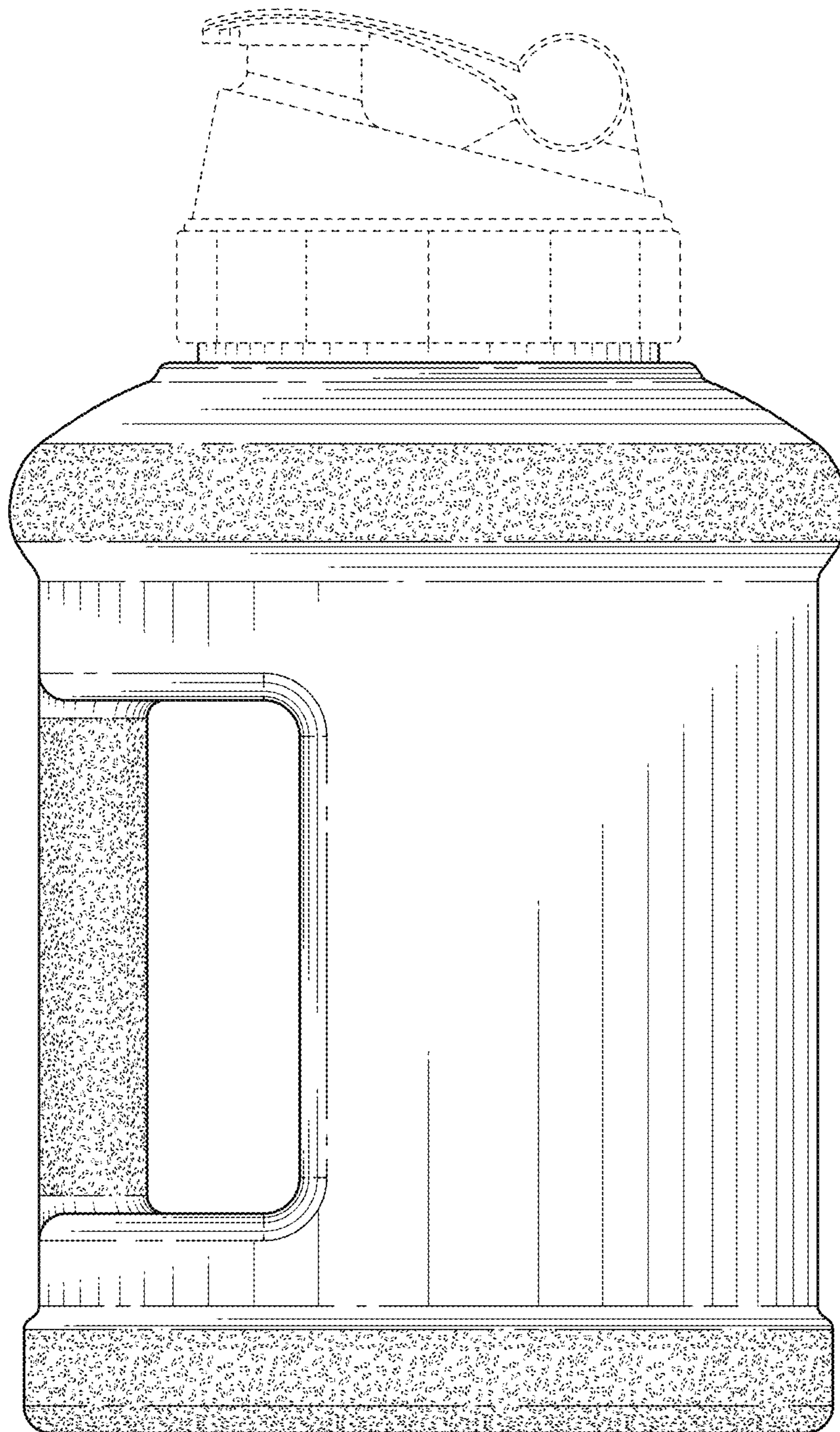


FIG. 5

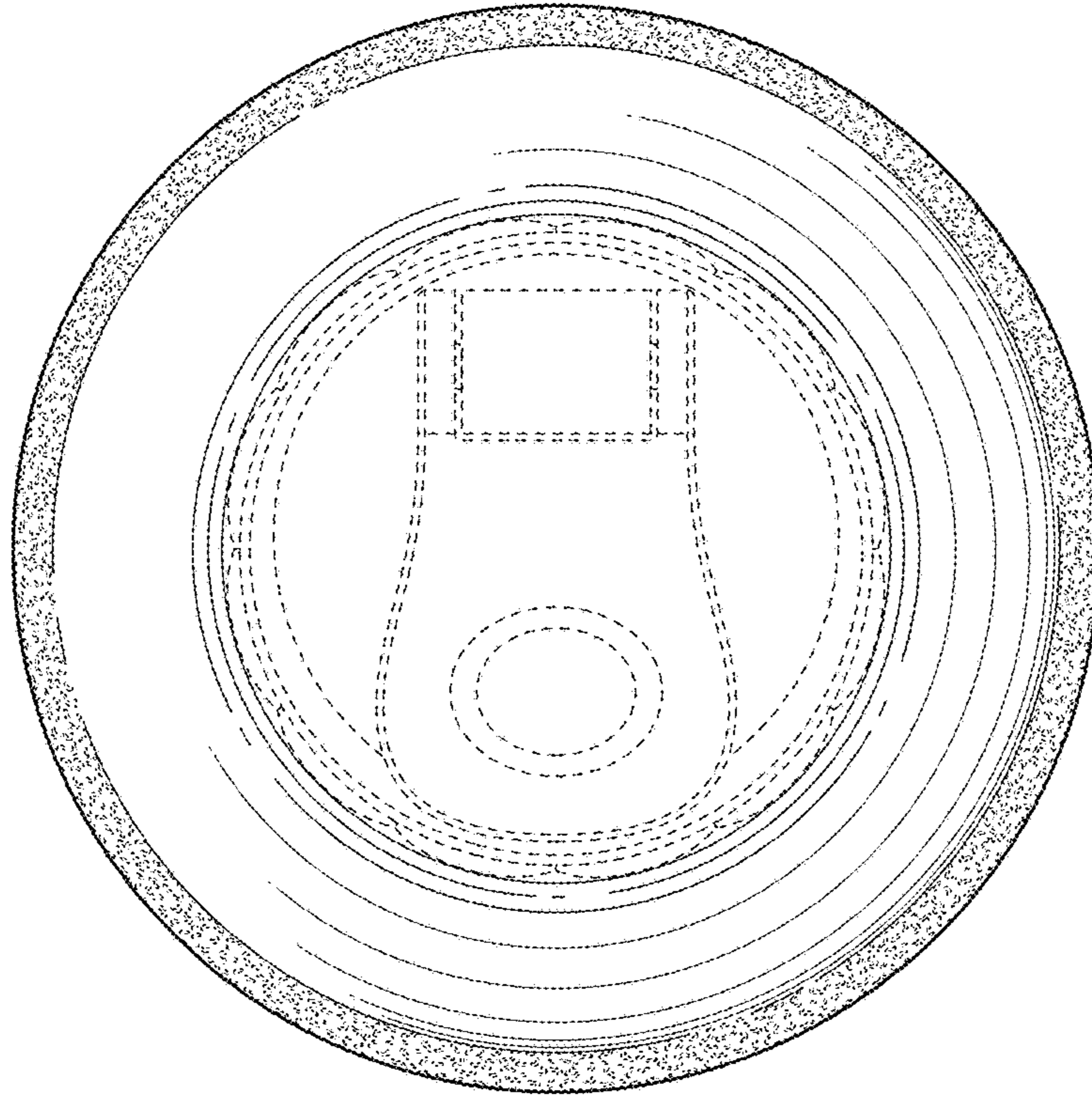


FIG. 6

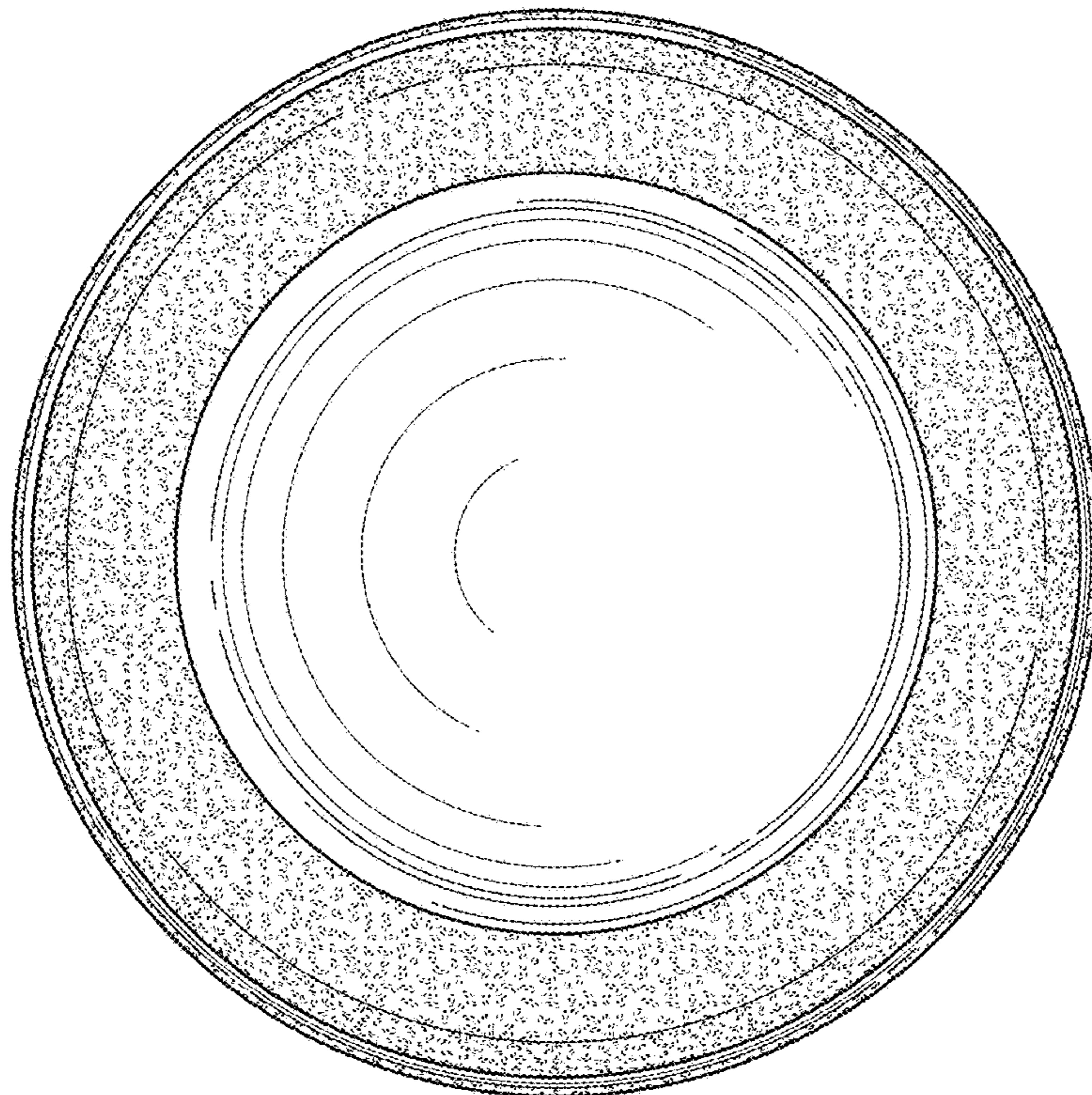


FIG. 7

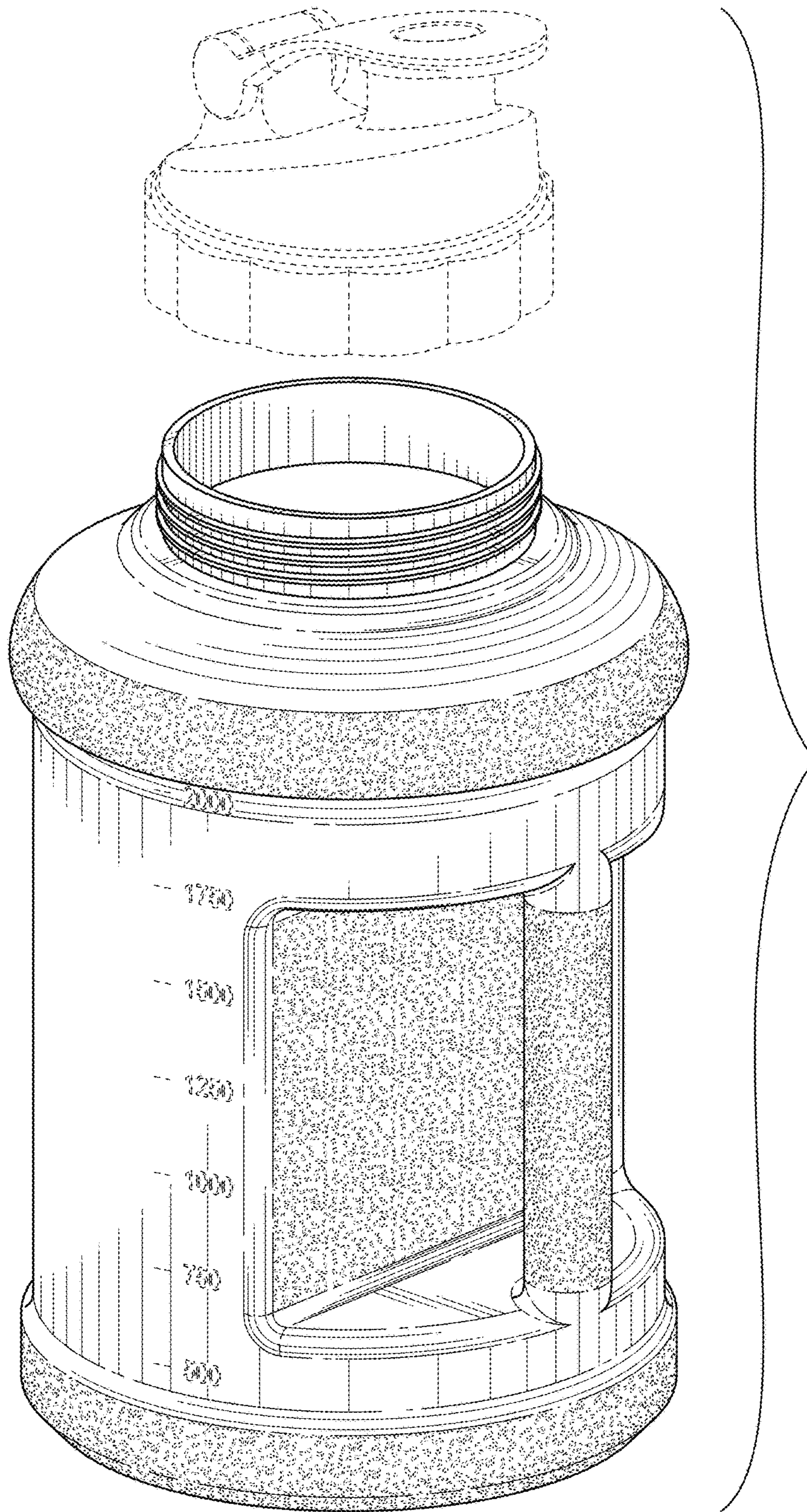


FIG. 8