

US00D805844S

(12) **United States Design Patent** (10) **Patent No.:** **US D805,844 S**
Benoit et al. (45) **Date of Patent:** **** Dec. 26, 2017**

(54) **FOOD PROCESSING ATTACHMENT** 2013/1864; B30B 9/00; B30B 9/16; B30B 9/18; B30B 9/20; B30B 9/26; B30B 9/205; B30B 9/207

(71) Applicant: **Whirlpool Corporation**, Benton Harbor, MI (US) See application file for complete search history.

(72) Inventors: **Kaitlyn M. Benoit**, St. Joseph, MI (US); **John W. McConnell**, St. Joseph, MI (US)

(56) **References Cited**

U.S. PATENT DOCUMENTS

(73) Assignee: **Whirlpool Corporation**, Benton Harbor, MI (US)

1,032,258	A *	7/1912	Wefing	B02C 18/20 241/277
D206,927	S *	2/1967	Popeil	D7/372
D215,390	S *	9/1969	McGee	D7/383
D233,123	S *	10/1974	Rigamonti	241/169.1
4,386,740	A *	6/1983	Van Deursen	A47J 43/255 241/285.2
D424,889	S *	5/2000	Yip	D7/679
D475,253	S *	6/2003	Yip	D7/666

(**) Term: **15 Years**

(21) Appl. No.: **29/601,531**

(22) Filed: **Apr. 24, 2017**

(Continued)

Related U.S. Application Data

Primary Examiner — Ricky Pham

(62) Division of application No. 29/534,123, filed on Jul. 27, 2015, now Pat. No. Des. 790,918.

(57) **CLAIM**

(51) **LOC (10) Cl.** **07-02**

The ornamental design for a food processing attachment, as shown and described.

(52) **U.S. Cl.**

USPC **D7/412**; D7/372; D7/384

DESCRIPTION

(58) **Field of Classification Search**

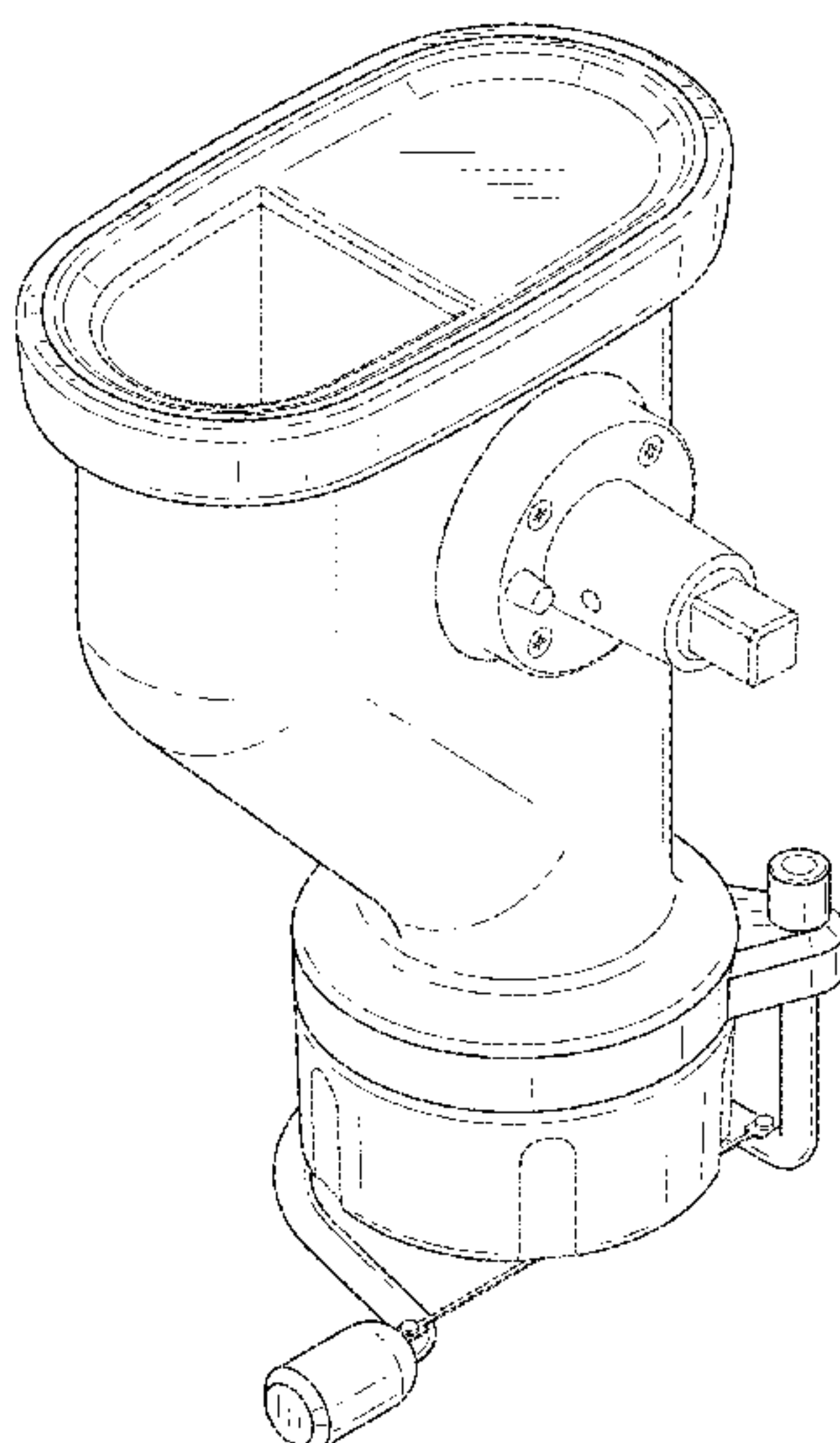
USPC D7/372, 376–386, 412, 665–666, 669, D7/678–679, 693–694

CPC A01F 2015/07; A01F 2015/077; A01F 2015/0775; A23N 1/00; A23N 1/02; A47J 19/00; A47J 19/005; A47J 19/02; A47J 19/04; A47J 19/06; A47J 42/32; A47J 42/34; A47J 42/36; A47J 43/044; A47J 43/25; A47J 43/255; B01F 7/26; B01F 7/28; B01F 11/0082; B01F 13/04; B02C 13/00; B02C 13/02; B02C 13/10; B02C 18/06; B02C 18/20; B02C 18/26; B02C 18/30; B02C 18/302; B02C 18/304; B02C 18/305; B02C 25/00; B02C 2002/00; B02C 2013/00; B02C 2013/14; B02C 2013/145; B02C 2013/18; B02C 2013/1807; B02C 2013/1857; B02C

FIG. 1 is a top-front perspective view of a food processing attachment according to an embodiment of our design; FIG. 2 is a bottom-back perspective view thereof; FIG. 3 is a front view thereof; FIG. 4 is a back view thereof; FIG. 5 is a right side view thereof; FIG. 6 is a left side view thereof; FIG. 7 is a top view thereof; and, FIG. 8 is a bottom view thereof.

Broken lines are used to show features that are environmental only and form no part of the claimed design. Dash-dot lines adjacent un-shaded areas represent bounds of the claimed design and form no part of the claimed design themselves.

1 Claim, 7 Drawing Sheets



(56)

References Cited

U.S. PATENT DOCUMENTS

D507,455 S *	7/2005	Bertulis	D15/82
D708,915 S *	7/2014	Wong	D7/666
D721,549 S *	1/2015	Li	D7/666
D749,379 S *	2/2016	Exley	D7/381
D773,905 S *	12/2016	Dichraff	D7/693
D790,918 S *	7/2017	Benoit	D7/372

* cited by examiner

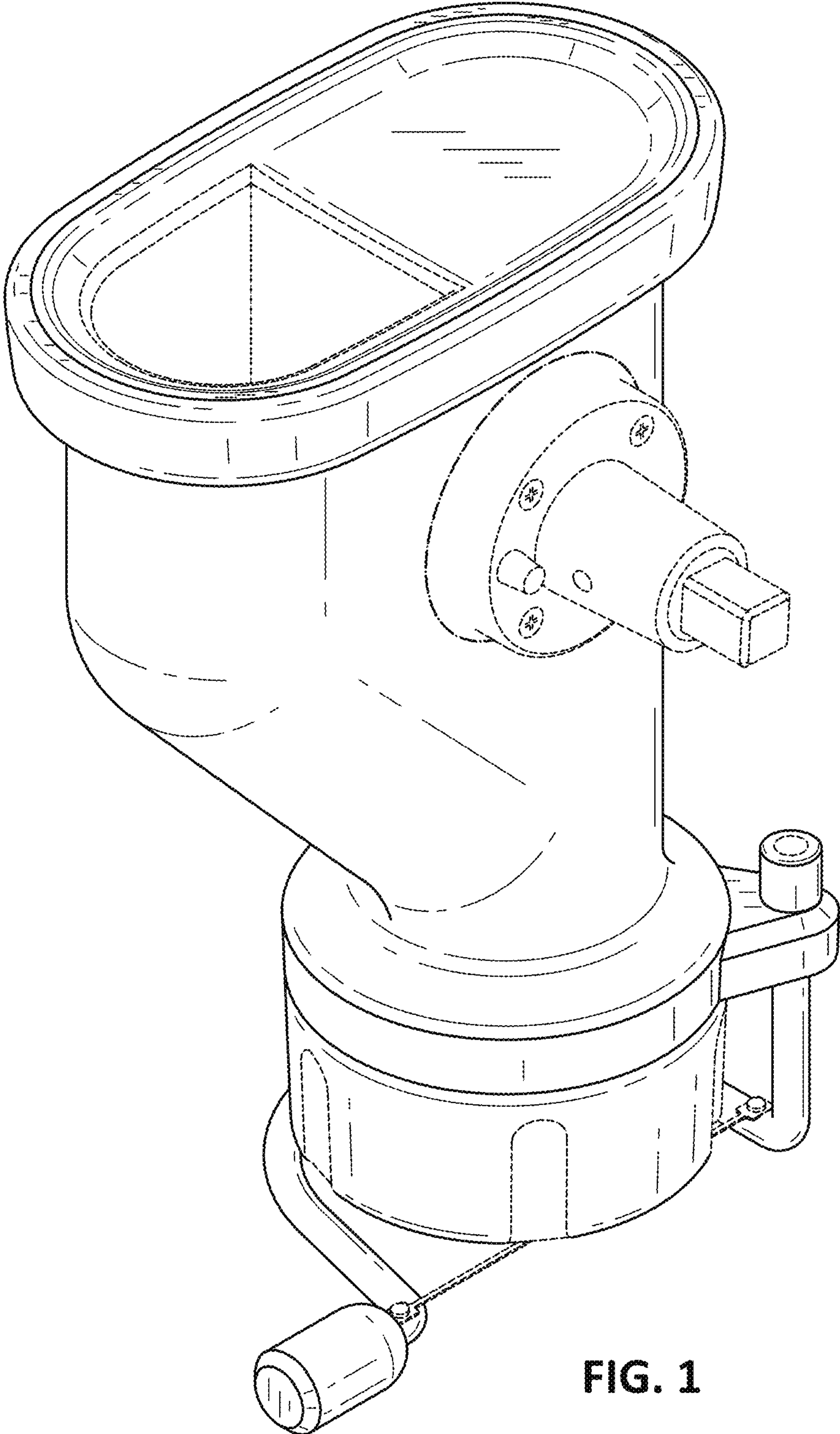


FIG. 1

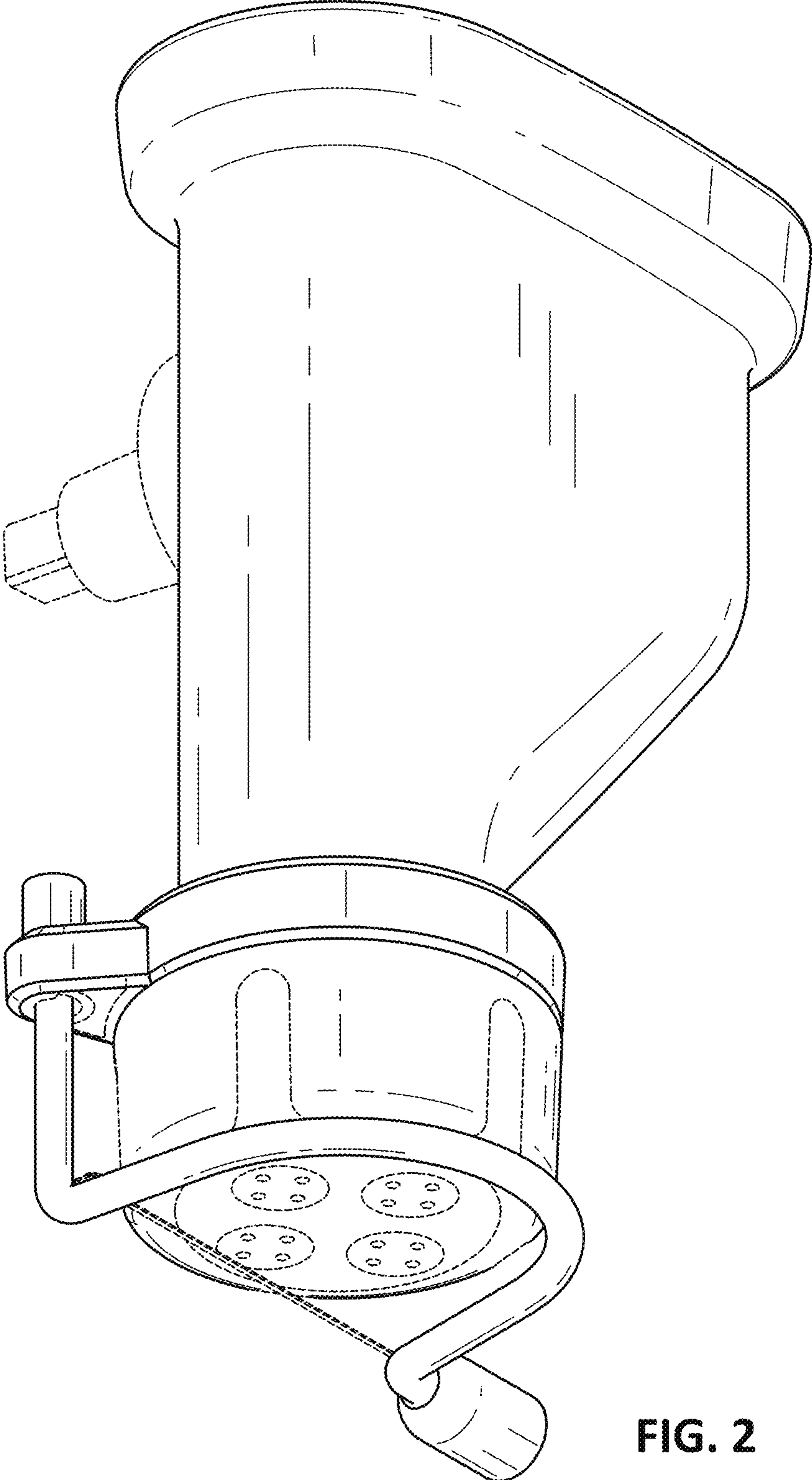


FIG. 2

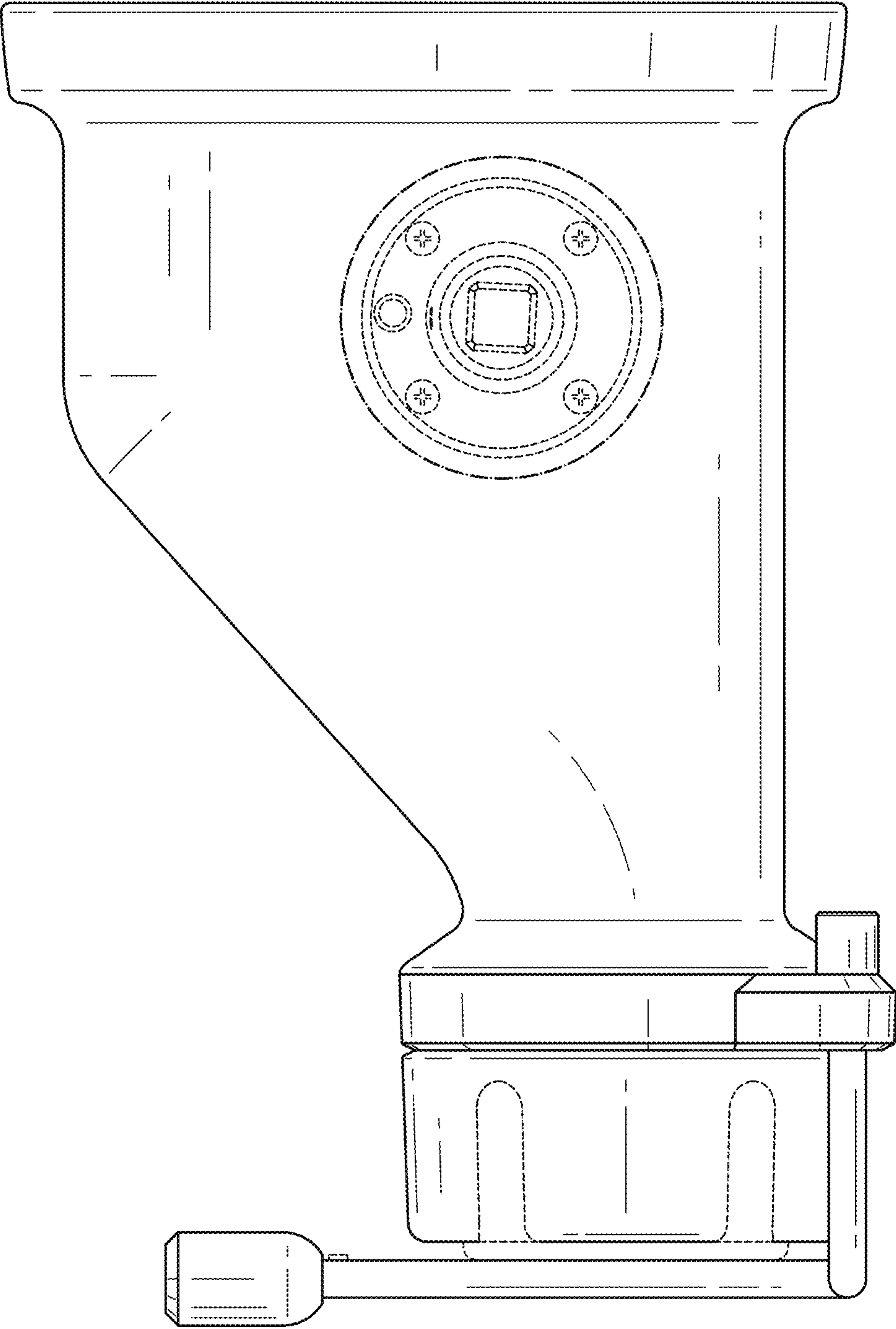


FIG. 3

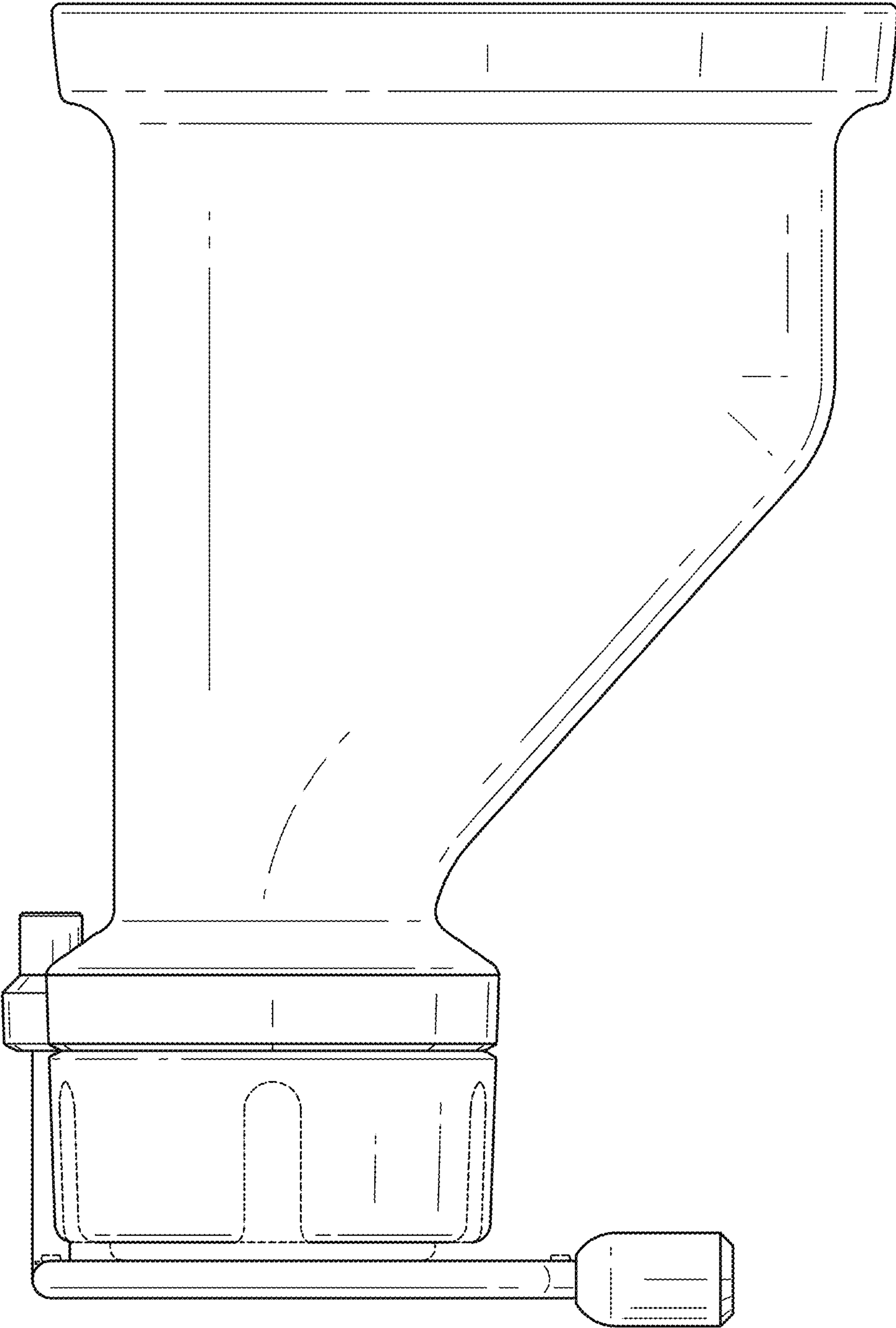


FIG. 4

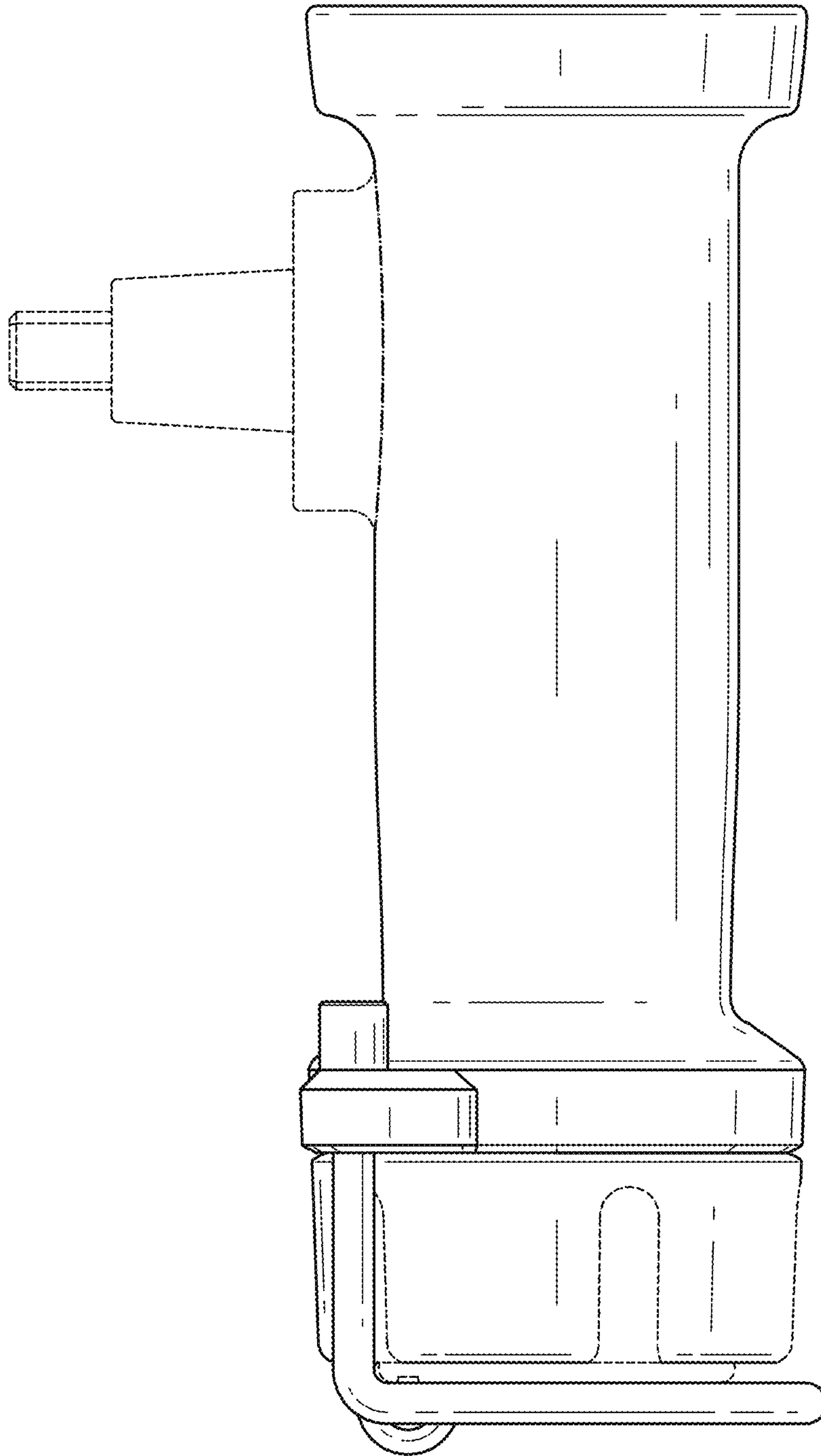


FIG. 5

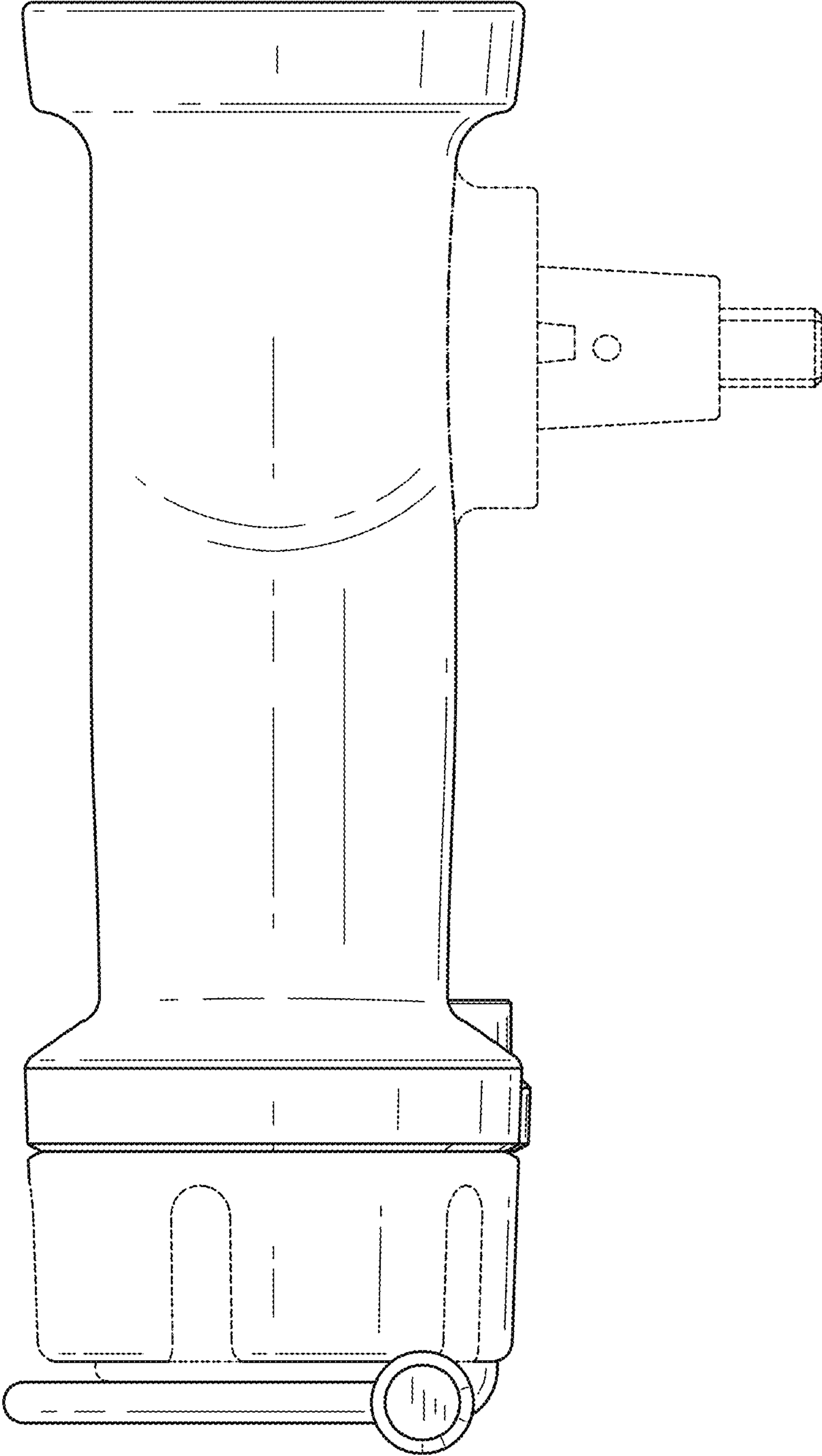


FIG. 6

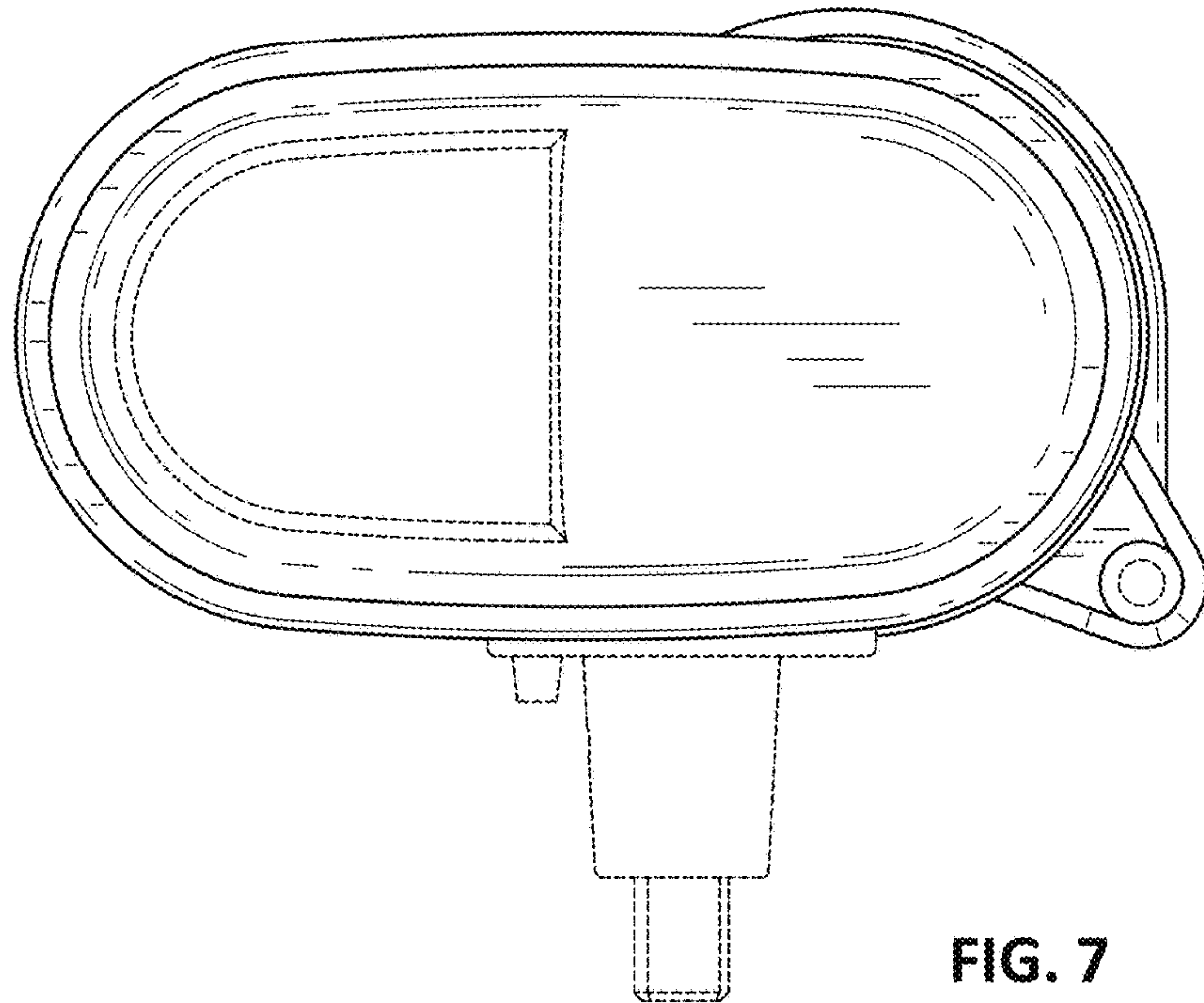


FIG. 7

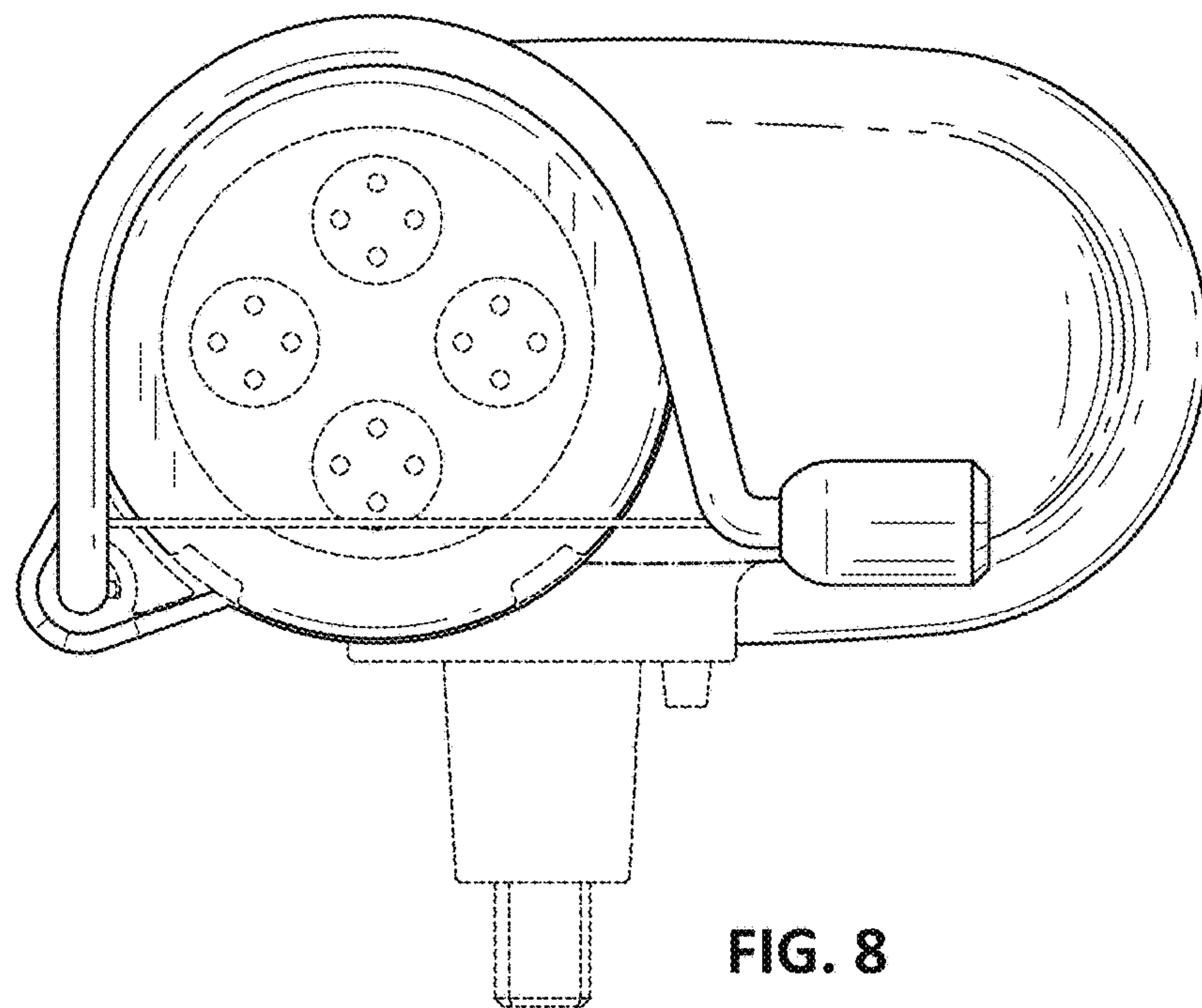


FIG. 8