



US00D805839S

(12) **United States Design Patent** (10) **Patent No.:** **US D805,839 S**
Karussi et al. (45) **Date of Patent:** **** Dec. 26, 2017**

(54) **LID FOR A DRINKING VESSEL**

OTHER PUBLICATIONS

(71) Applicant: **Tervis Tumbler Company**, North Venice, FL (US)

“Tervis Travel Lid”. Found online Mar. 9, 2017 at amazon.com. Page dated May 1, 2007. Retrieved from https://www.amazon.com/...TF8&pd_rd_i=B001GA5CHY&pd_rd_r=R7WYKXRM81PYFM88FDKM&pd_rd_w=c9i35&pd_rd_wg=PuwEb&refRID=R7WYKXRM81PYFM88FDKM&th=1.*

(72) Inventors: **Kurt Karussi**, Osprey, FL (US); **Erik Steven Brown**, Sarasota, FL (US); **Aaron Abroff**, Acton, MA (US); **Joongoo Lee**, Quincy, MA (US)

(Continued)

(73) Assignee: **Tervis Tumbler Company**, North Venice, FL (US)

Primary Examiner — Robert M. Spear

Assistant Examiner — Kendra Leslie Hamilton

(74) *Attorney, Agent, or Firm* — Caesar Rivise, PC

(**) Term: **15 Years**

(21) Appl. No.: **29/571,729**

(57) **CLAIM**

(22) Filed: **Jul. 21, 2016**

The ornamental design for a lid for a drinking vessel, as shown and described.

(51) **LOC (10) Cl.** **07-01**

(52) **U.S. Cl.**

USPC **D7/392.1**

(58) **Field of Classification Search**

USPC D7/391, 392, 392.1, 396.1, 396.2, 397, D7/398, 509, 510, 511, 543; D9/435, D9/436, 438, 447, 449, 450; D10/46.2, D10/46.3

CPC B65D 51/18

See application file for complete search history.

DESCRIPTION

FIG. 1 is a top rear right isometric view of the lid for a drinking vessel showing our new design in condition for use with the slider in a closed state;

FIG. 2 is a top rear right isometric view of the lid for a drinking vessel in condition of use with the slider in an opened state;

FIG. 3 is a rear elevational view of the lid for a drinking vessel of FIG. 1;

FIG. 4 is a front elevational view thereof;

FIG. 5 is a right side elevational view thereof;

FIG. 6 is a left side elevational view thereof;

FIG. 7 is a top plan view thereof;

FIG. 8 is a bottom plan view thereof; and,

FIG. 9 is a longitudinal sectional view taken along line 9-9 of FIG. 7.

In the drawings, the regularly-spaced broken lines depict environmental subject matter that forms no part of the claimed design. The dash-dot-dash broken lines depict the boundaries of the claim.

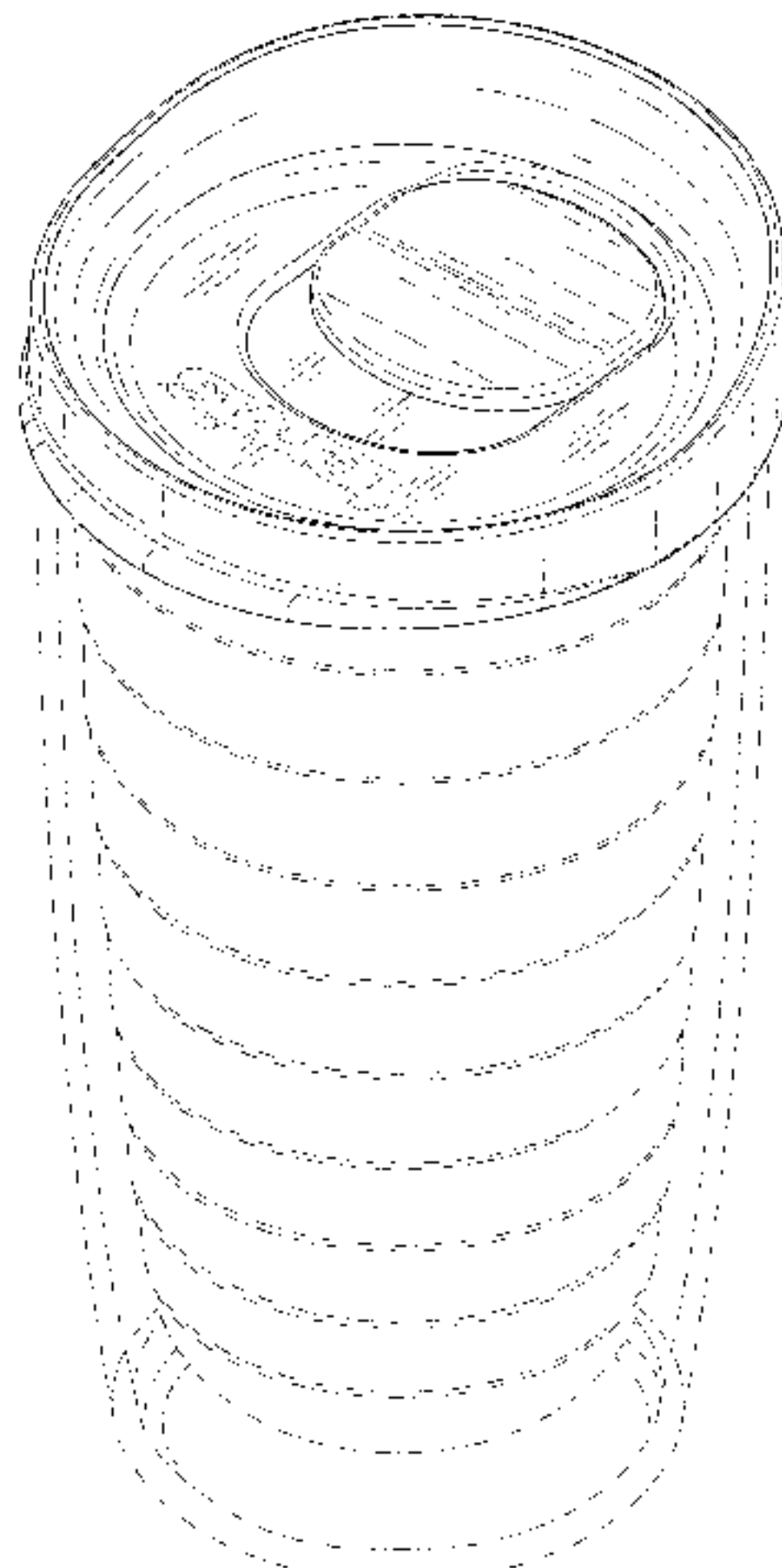
(56) **References Cited**

U.S. PATENT DOCUMENTS

D486,996 S *	2/2004	Karp	D7/510
6,752,287 B1 *	6/2004	Lin	A47G 19/2272
				220/254.9
D536,213 S *	2/2007	Schuler	D7/392.1
D583,191 S *	12/2008	Wong	D7/392.1
D604,102 S *	11/2009	Pearson	D7/510
D625,951 S *	10/2010	Baek	D7/396.2
7,845,510 B2 *	12/2010	Schmidtner	B65D 43/0208
				220/254.9
D666,052 S *	8/2012	Trombly	D7/392.1
D673,807 S *	1/2013	Grider	D7/391
D744,280 S *	12/2015	Chiang	D7/510
D751,341 S *	3/2016	Seiders	D7/396.2

(Continued)

1 Claim, 6 Drawing Sheets



(56)

References Cited

U.S. PATENT DOCUMENTS

D758,792 S * 6/2016 Karussi D7/392.1
2017/0101230 A1 * 4/2017 Sato B65D 43/20

OTHER PUBLICATIONS

“Ello Cole Vacuum Insulated Stainless Steel Travel Mug”. Found online May 25, 2017 at amazon.com. Page dated Aug. 18, 2016. Retrieved from https://www.amazon.com/Ello-Vacuum-Insulated-Stainless-Steel-Travel/dp/B01FWNIB8M/ref=cm_cr_ar_p_d_product_top?ie=UTF8.*

“Cupture Insulated Double Wall Upside Down Beer Glass Tumbler with Slider Lid”. Found online Mar. 9, 2017 at amazon.com. Page dated Mar. 25, 2014. Retrieved from https://www.amazon.com/...8&pd_rd_i=B00J8DSQ06&pd_rd_r=WWWMRQWJ41N4T7ZYM0KY&pd_rd_w=tTy7G&pd_rd_wg=onZBL&psc=1&refRID=WWWMRQWJ41N4T7ZYM0KY.*

“Colorful PoPo Tumbler Lid”. Found online Mar. 9, 2017 at amazon.com. Page dated Jul. 11, 2016. Retrieved from https://www.amazon.com/...r-Yeti-Rambler-Lowball-Tumblers/dp/B01I90QJSO/ref=sr_1_7?ie=UTF8&qid=1489082482&sr=8-7&keywords=tumbler+lid&refinements=p_72%3A2661621011.*

* cited by examiner

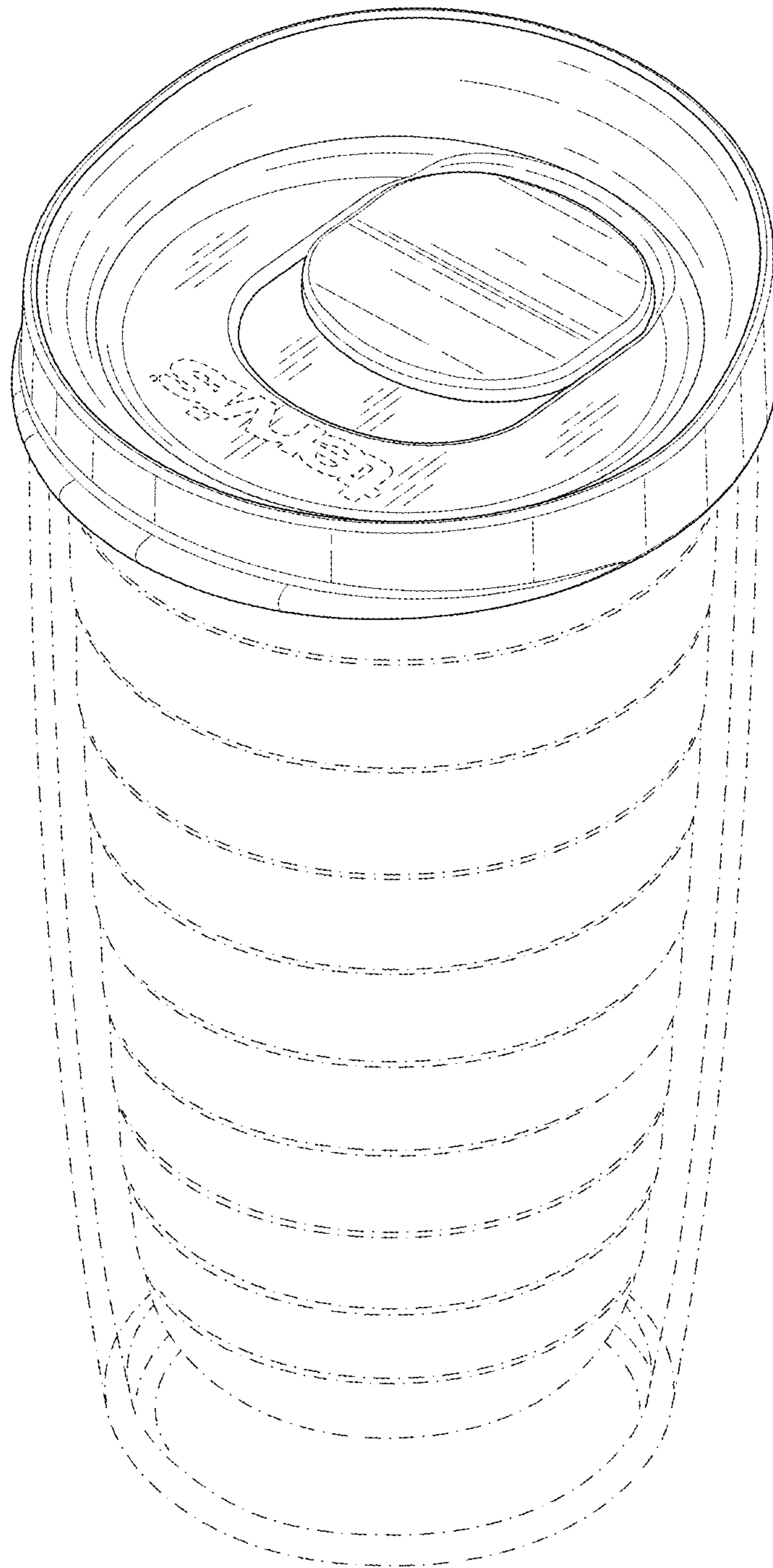


FIG. 1

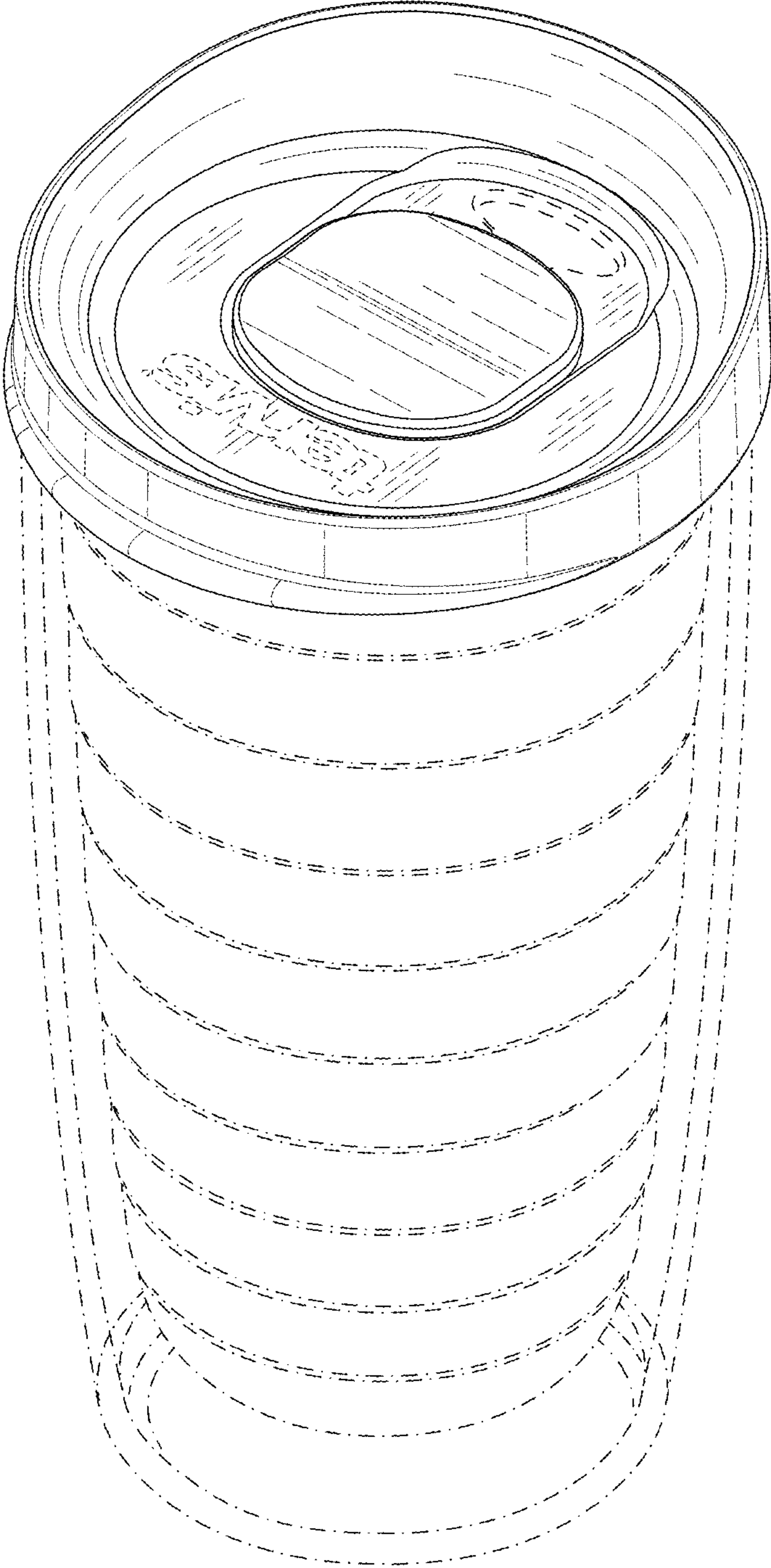


FIG. 2

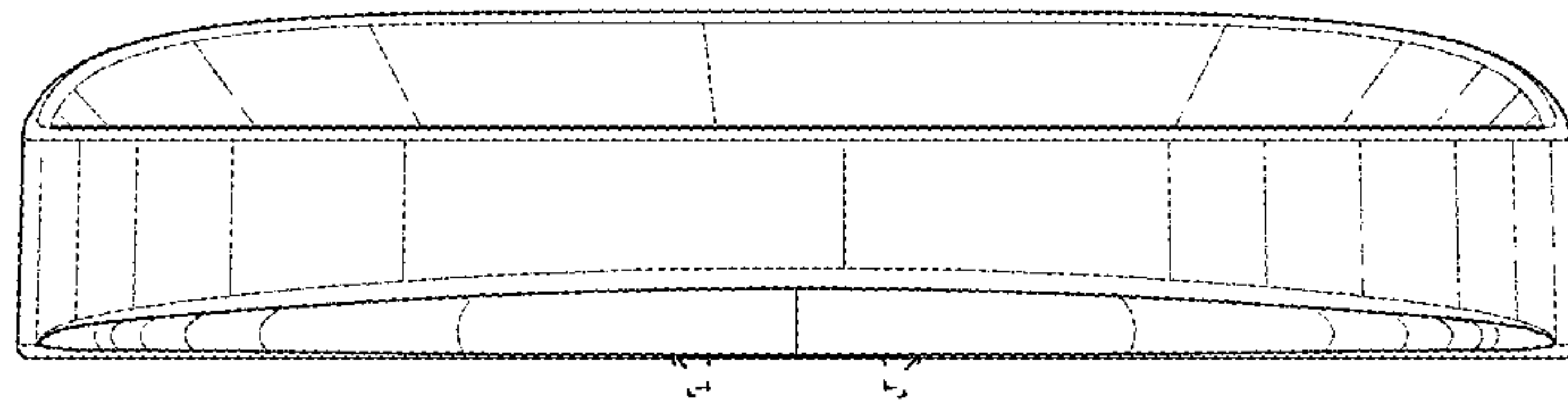


FIG. 3

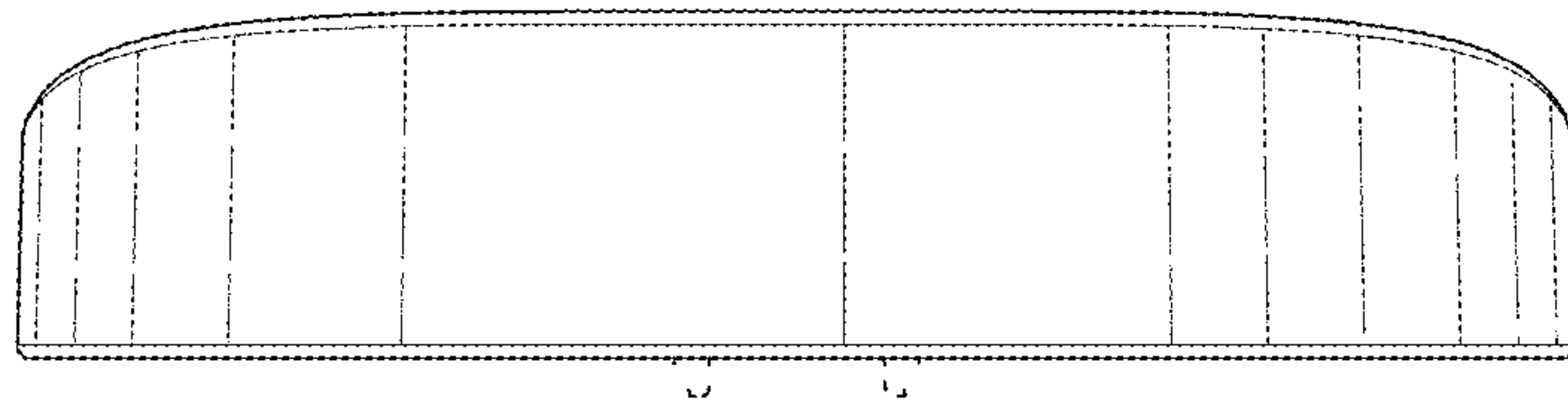


FIG. 4

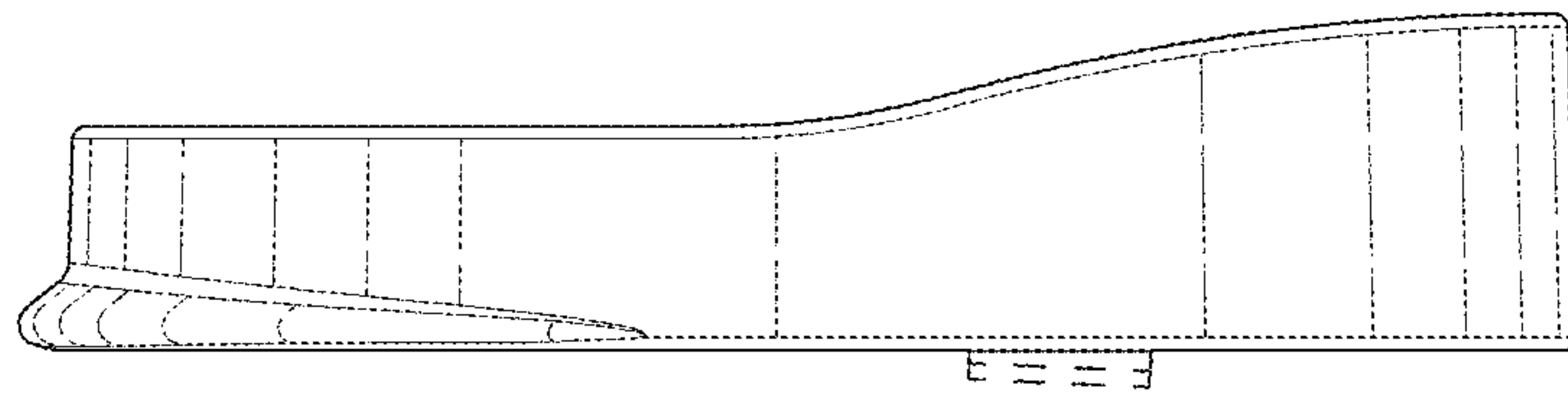


FIG. 5

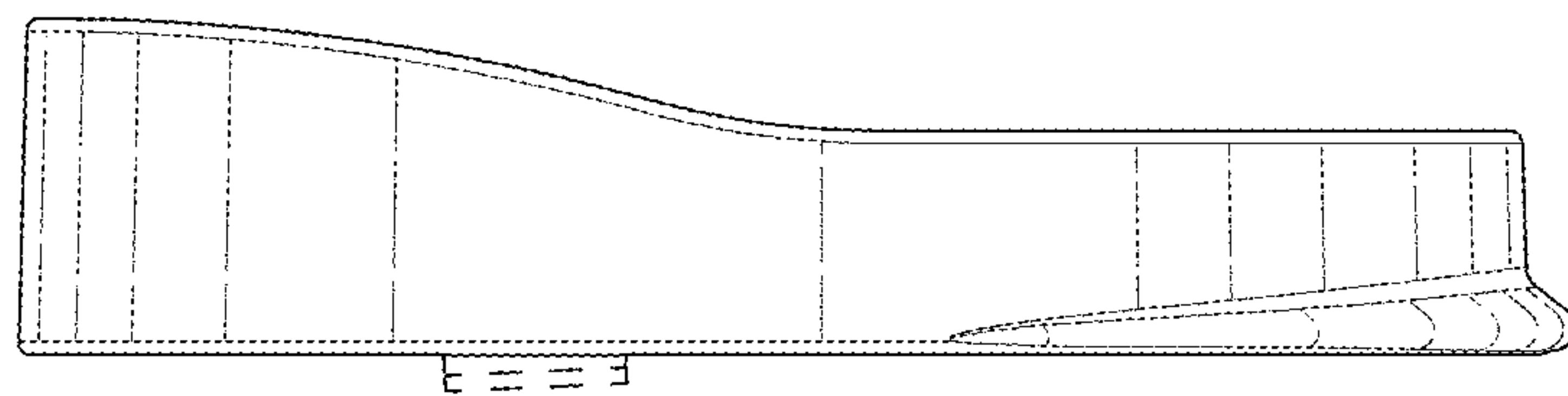


FIG. 6

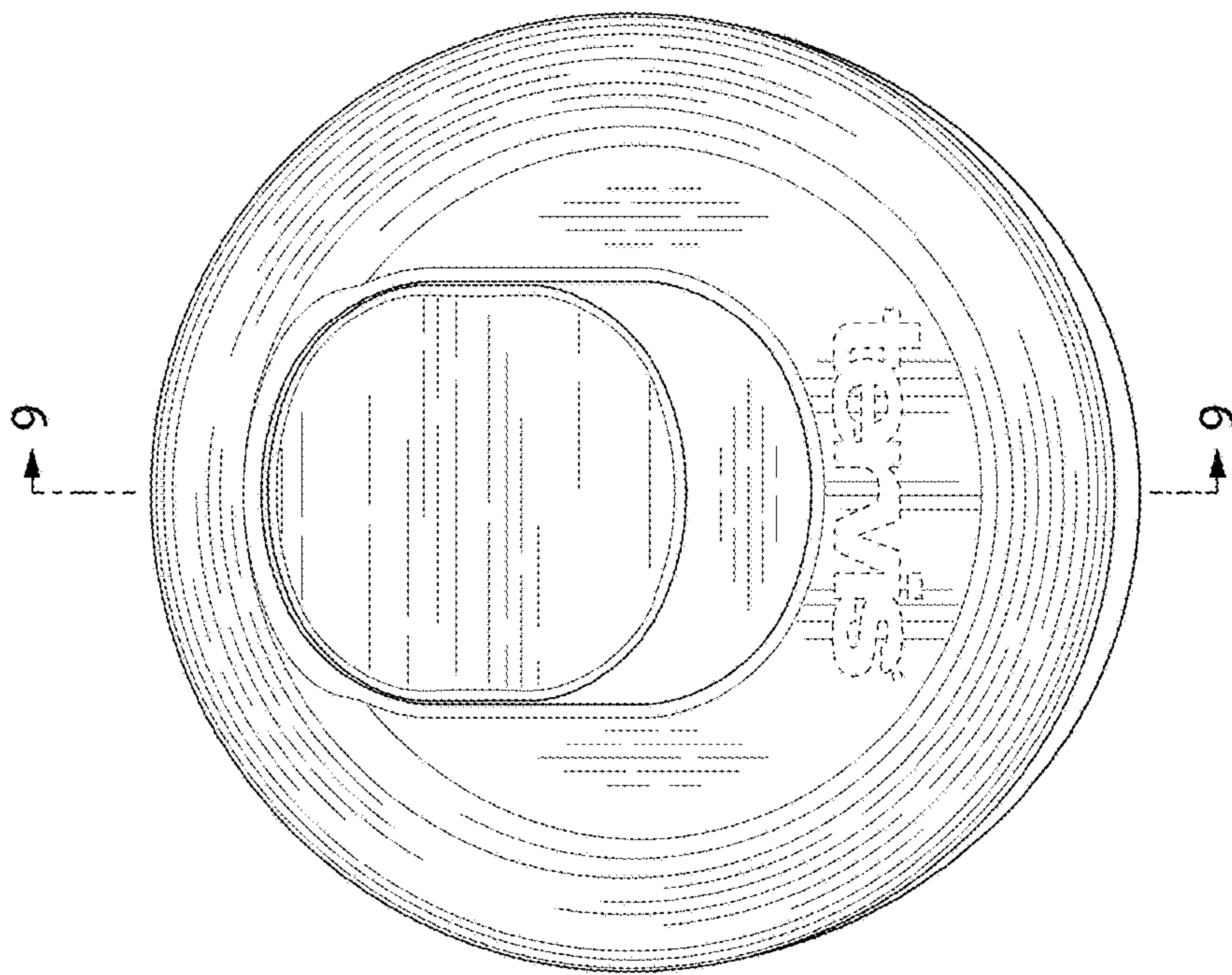


FIG. 7

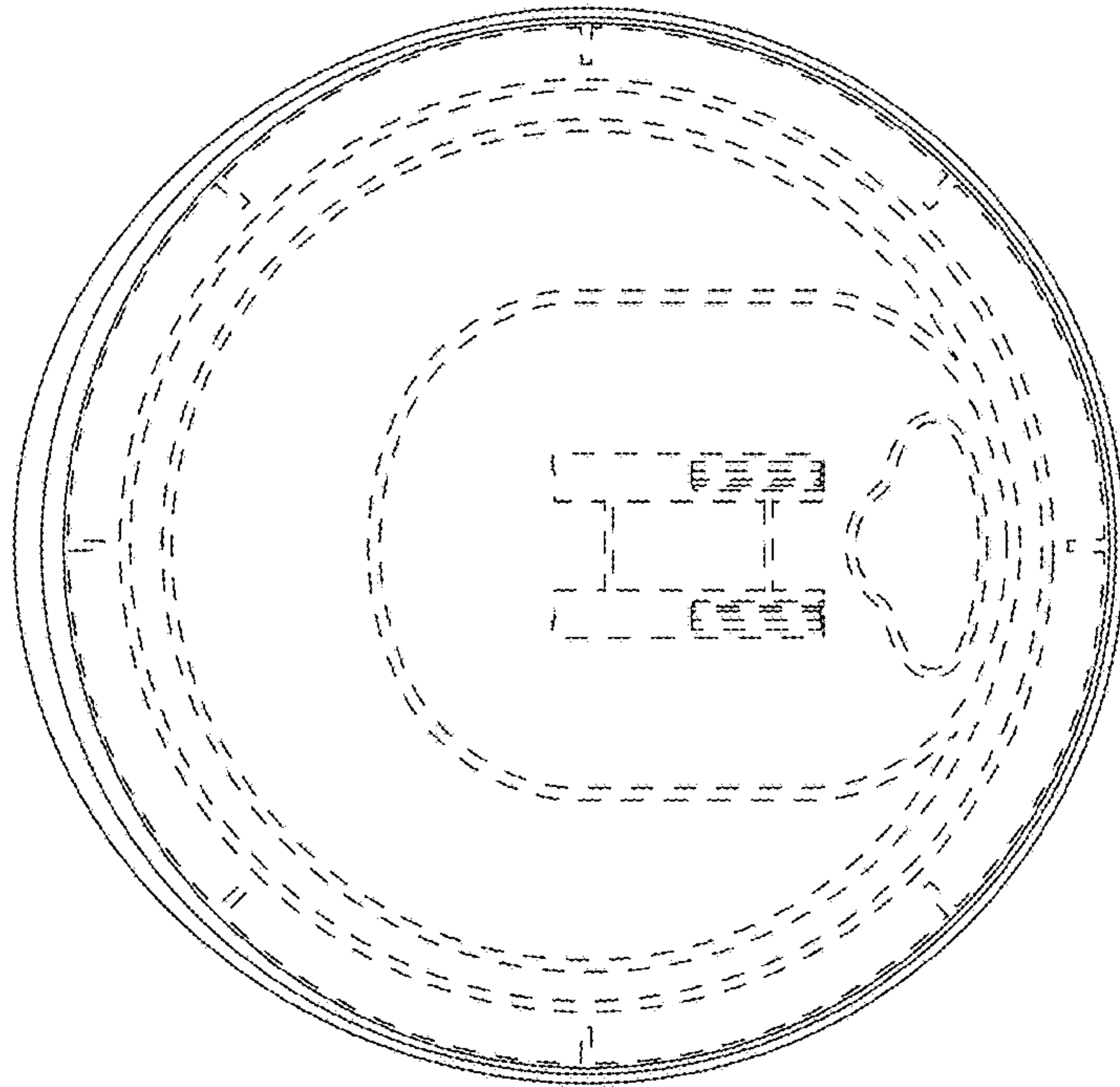


FIG. 8

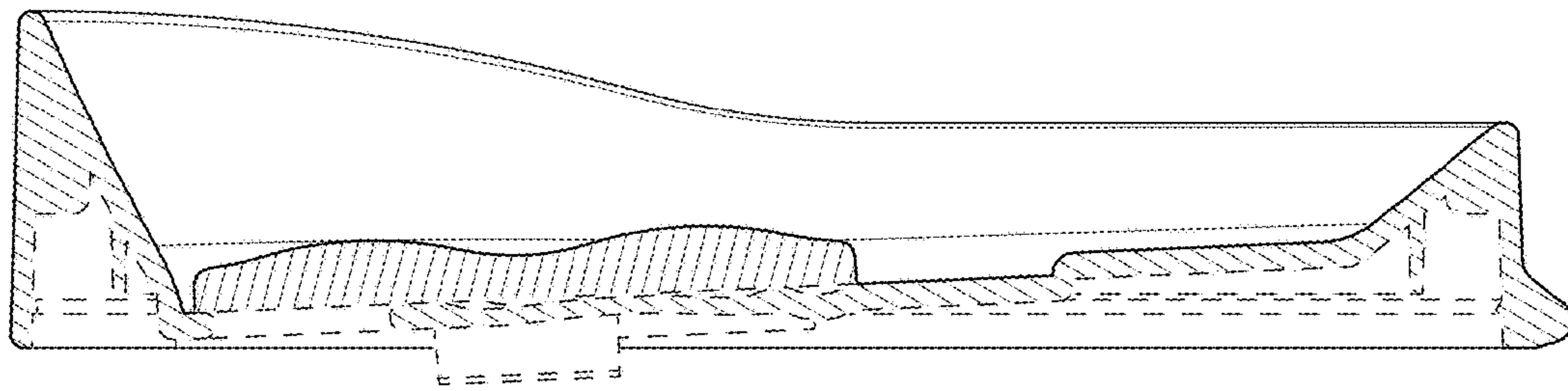


FIG. 9