



US00D805838S

(12) **United States Design Patent** (10) **Patent No.:** **US D805,838 S**
Guthrie (45) **Date of Patent:** **** Dec. 26, 2017**

(54) **BEVERAGE CONTAINER** 6,310,329 B1 * 10/2001 Carter A47G 19/2288
219/430
(71) Applicant: **Pacific Market International, LLC,** D476,193 S * 6/2003 Janky D7/510
Seattle, WA (US) D565,901 S * 4/2008 Edelstein D7/510
D600,073 S * 9/2009 Carreno D7/509
7,845,489 B2 * 12/2010 Thompson A47G 19/2227
(72) Inventor: **Emily Claire Guthrie,** Seattle, WA 206/217
(US) D658,431 S * 5/2012 Gilbert D7/392.1
D659,474 S * 5/2012 Wahl D7/510
(73) Assignee: **Pacific Market International, LLC,** D675,063 S * 1/2013 Wahl D7/510
Seattle, WA (US) (Continued)

(**) Term: **15 Years**

(21) Appl. No.: **29/567,151**

(22) Filed: **Jun. 6, 2016**

(51) **LOC (10) Cl.** **07-99**

(52) **U.S. Cl.**
USPC **D7/392.1; D7/396.2; D7/510; D9/435**

(58) **Field of Classification Search**
USPC **D7/505, 507, 509-511, 523, 527, 529,**
D7/531, 532, 300.1, 591, 608, 392.1,
D7/396.2, 396.3, 396.6, 397, 398, 399,
D7/400, 402, 387, 213, 391, 388, 624.1,
D7/624.2; D9/530, 504, 538, 557, 570,
D9/556, 435, 436, 440, 453, 455, 499,
D9/454; 220/200, 592.16, 592.17, 703
CPC **A47G 19/22; A47G 19/2205; A47G**
19/2227; A45F 3/16; A47J 43/27; A47J
41/0077; A47J 31/18

See application file for complete search history.

(56) **References Cited**

U.S. PATENT DOCUMENTS

D319,980 S * 9/1991 Garner D9/435
5,433,337 A * 7/1995 Willbrandt B65D 1/265
220/669
D379,738 S * 6/1997 Liming D7/510
D387,619 S * 12/1997 Gross D7/510
D436,295 S * 1/2001 Furman D7/509

OTHER PUBLICATIONS

“Yeti—Rambler™ 30 oz. Tumbler—Stainless Steel,” © 2016 Yeti ,
<<http://www.yeti.com/rambler-30>> [retrieved Sep. 19, 2016], 4
pages. Yeti product offered for sale as least as early as Mar. 17, 2016.

(Continued)

Primary Examiner — Marianne Pandozzi

Assistant Examiner — Jae Liang

(74) *Attorney, Agent, or Firm* — George C. Rondeau, Jr.;
Davis Wright Tremaine LLP

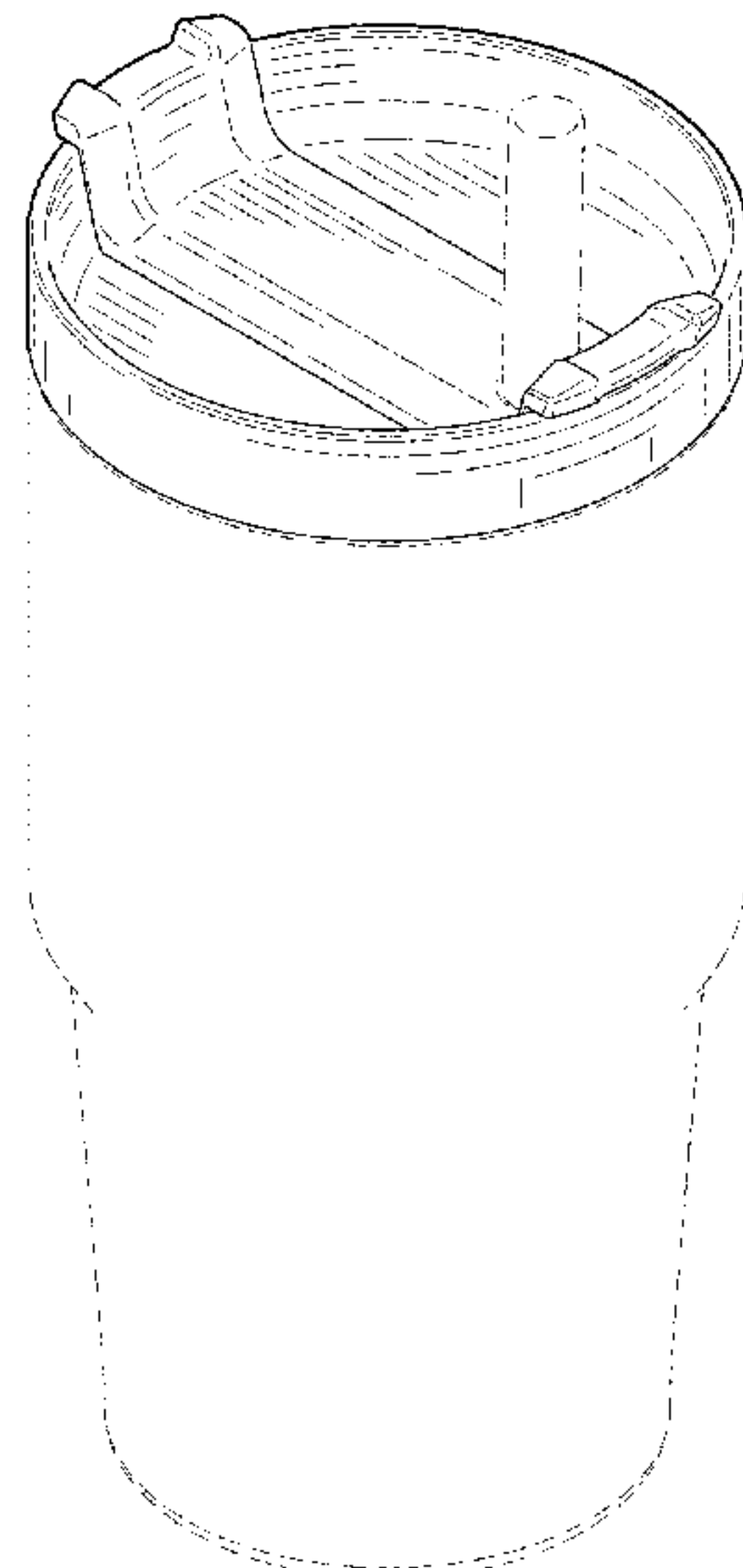
(57) **CLAIM**

The ornamental design for a beverage container, as shown
and described.

DESCRIPTION

FIG. 1 is a top perspective view of a beverage container
showing my new design;
FIG. 2 is a bottom perspective view thereof;
FIG. 3 is a front elevational view thereof;
FIG. 4 is a right side elevational view thereof;
FIG. 5 is a rear elevational view thereof;
FIG. 6 is a left side elevational view thereof;
FIG. 7 is a top plan view thereof; and,
FIG. 8 is a bottom plan view thereof.
The broken lines in the drawing depict portions of the
beverage container that form no part of the claimed design.

1 Claim, 7 Drawing Sheets



(56)

References Cited

U.S. PATENT DOCUMENTS

D713,686 S * 9/2014 Eyal D7/509
D727,681 S * 4/2015 Osgood D7/392.1
D760,586 S 7/2016 Seiders et al.
D778,112 S * 2/2017 Szymanski D7/510
D789,737 S * 6/2017 Eyal D7/300.1
2005/0073833 A1* 4/2005 VanderSchuit A47G 19/2222
362/101
2011/0228518 A1* 9/2011 Vagnby A47G 19/2227
362/101
2016/0236831 A1* 8/2016 Dabbur B65D 43/20

OTHER PUBLICATIONS

“Yeti Rambler Bottle 18 oz—Stainless Steel,” © 2016 Yeti, <<http://yeti.com/rambler-bottle-18-oz/>> [retrieved Sep. 12, 2016], 3 pages.
Yeti product offered for sale at least as early as Feb. 4, 2016.

* cited by examiner

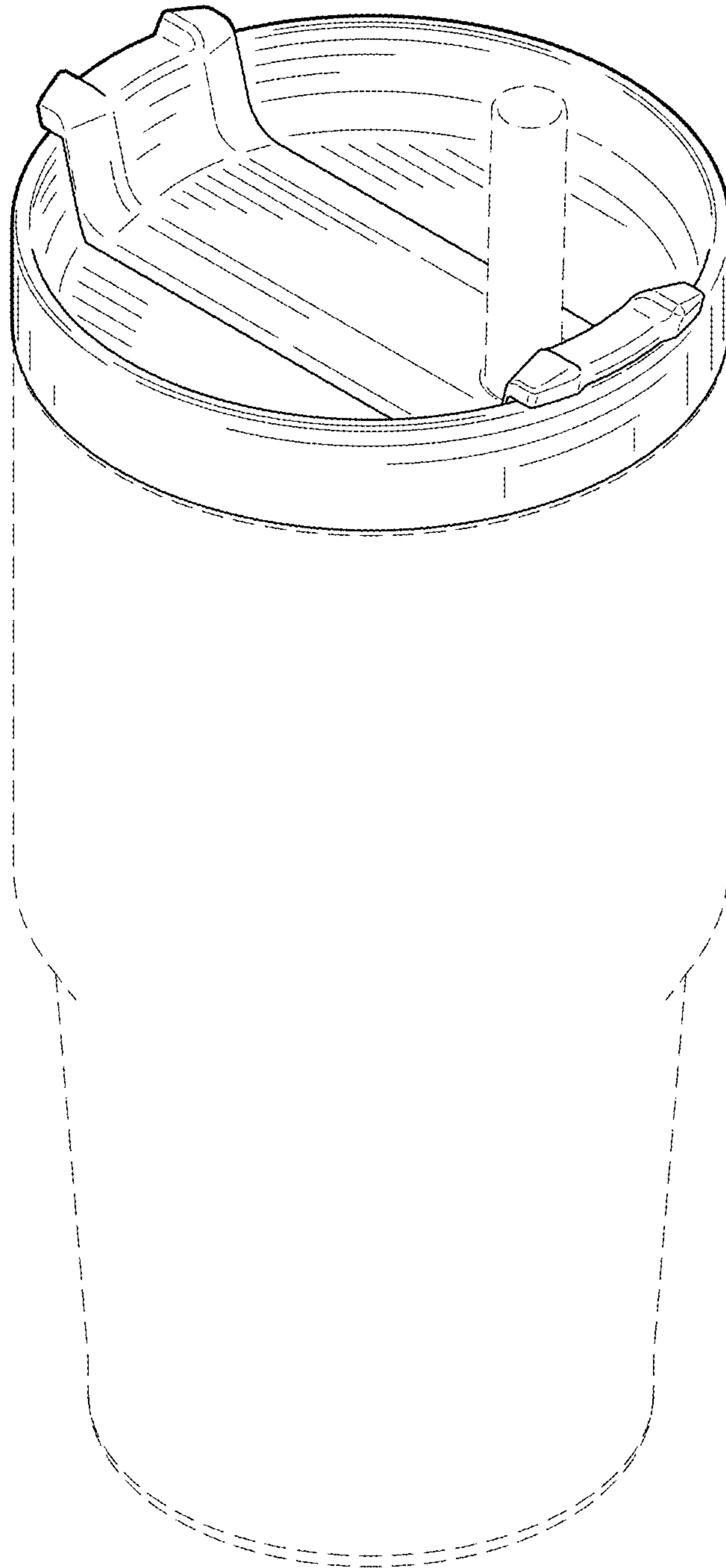


FIG. 1

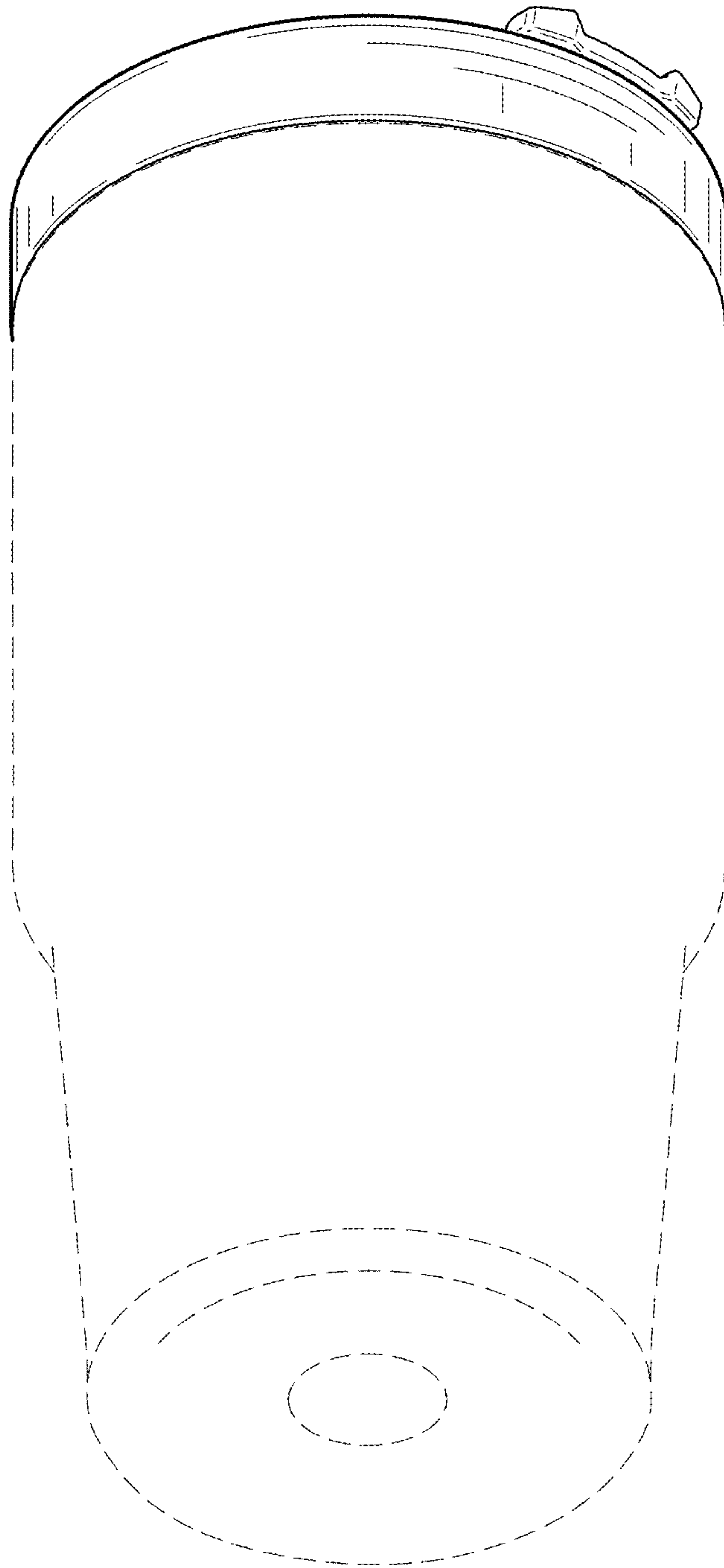


FIG. 2

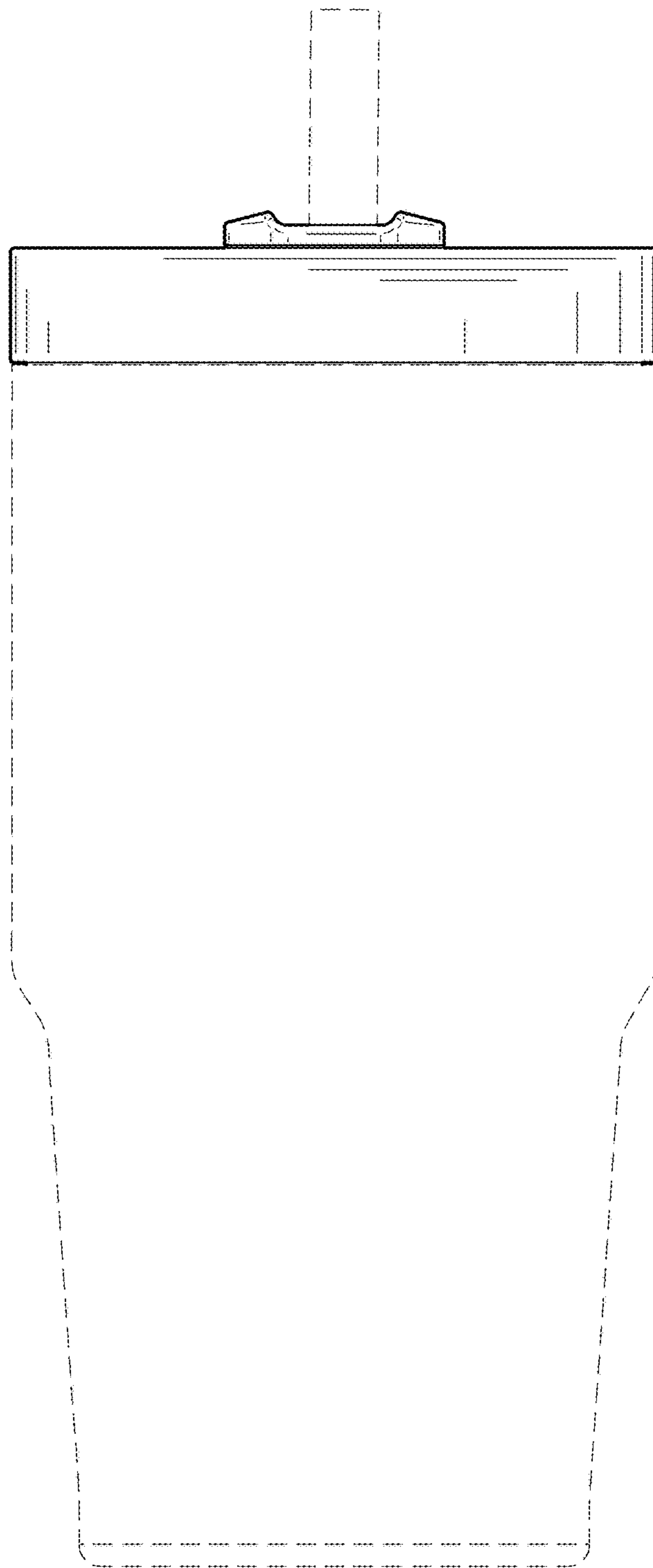


FIG. 3

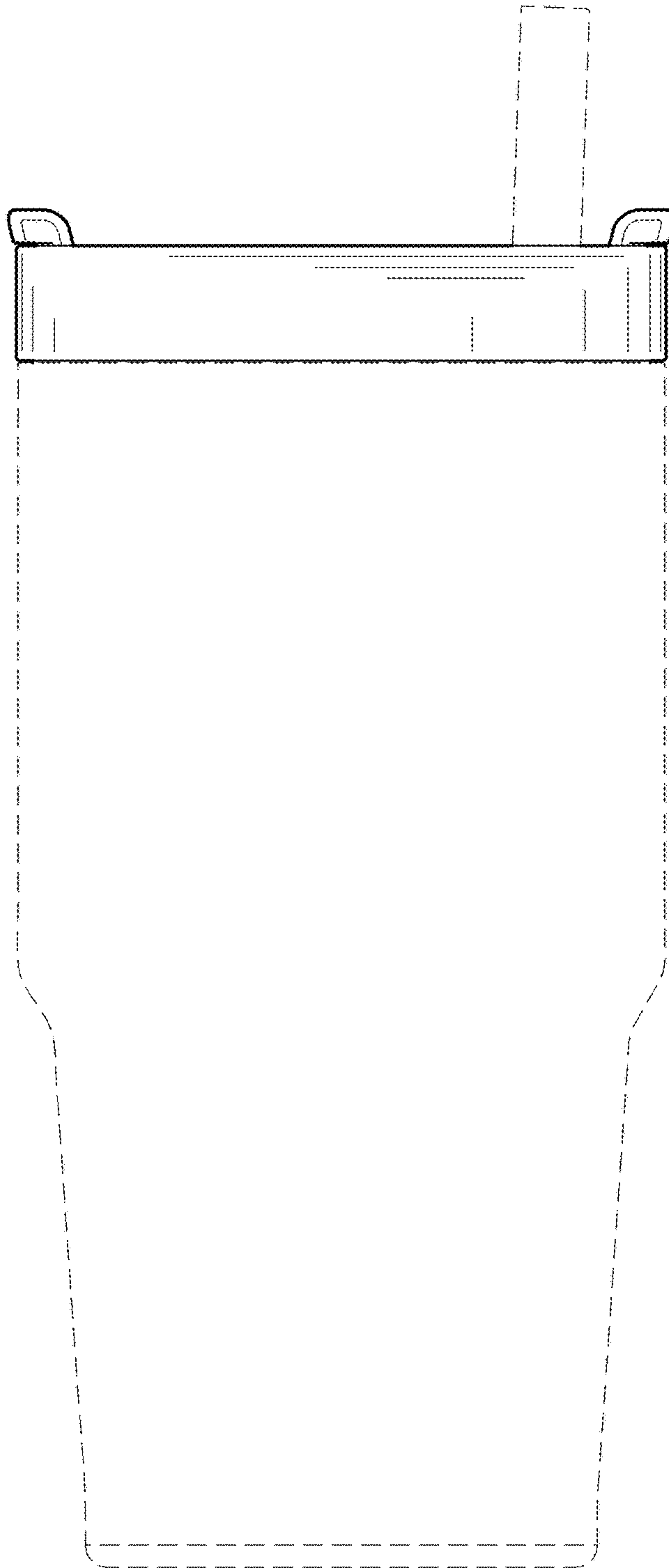


FIG. 4

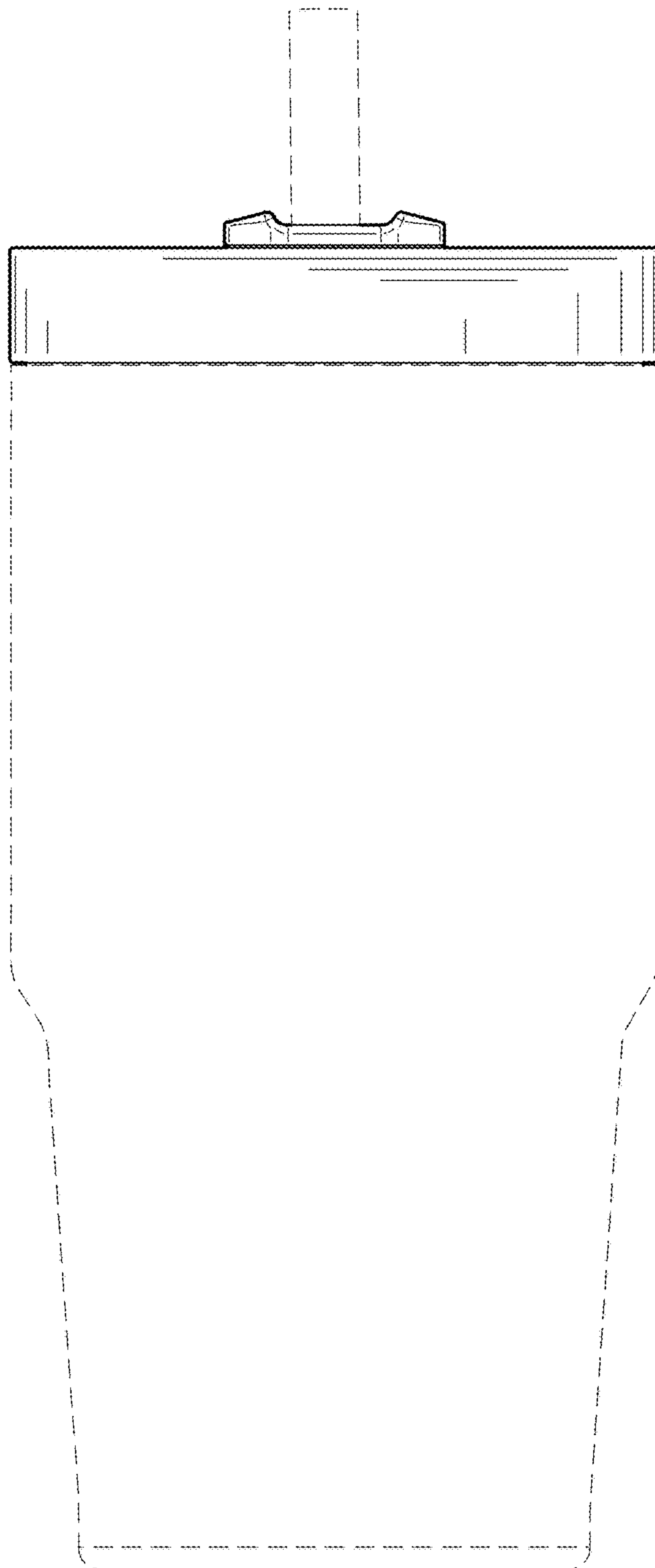


FIG. 5

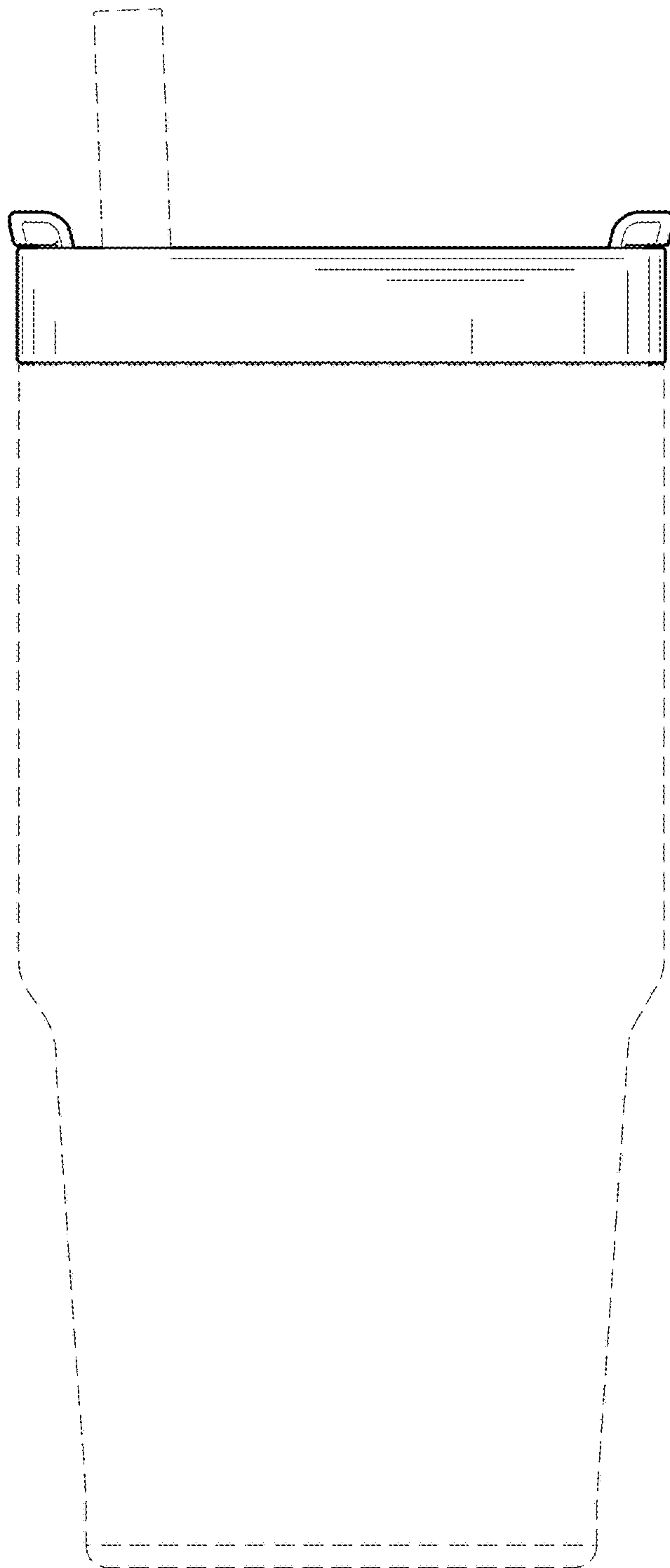


FIG. 6

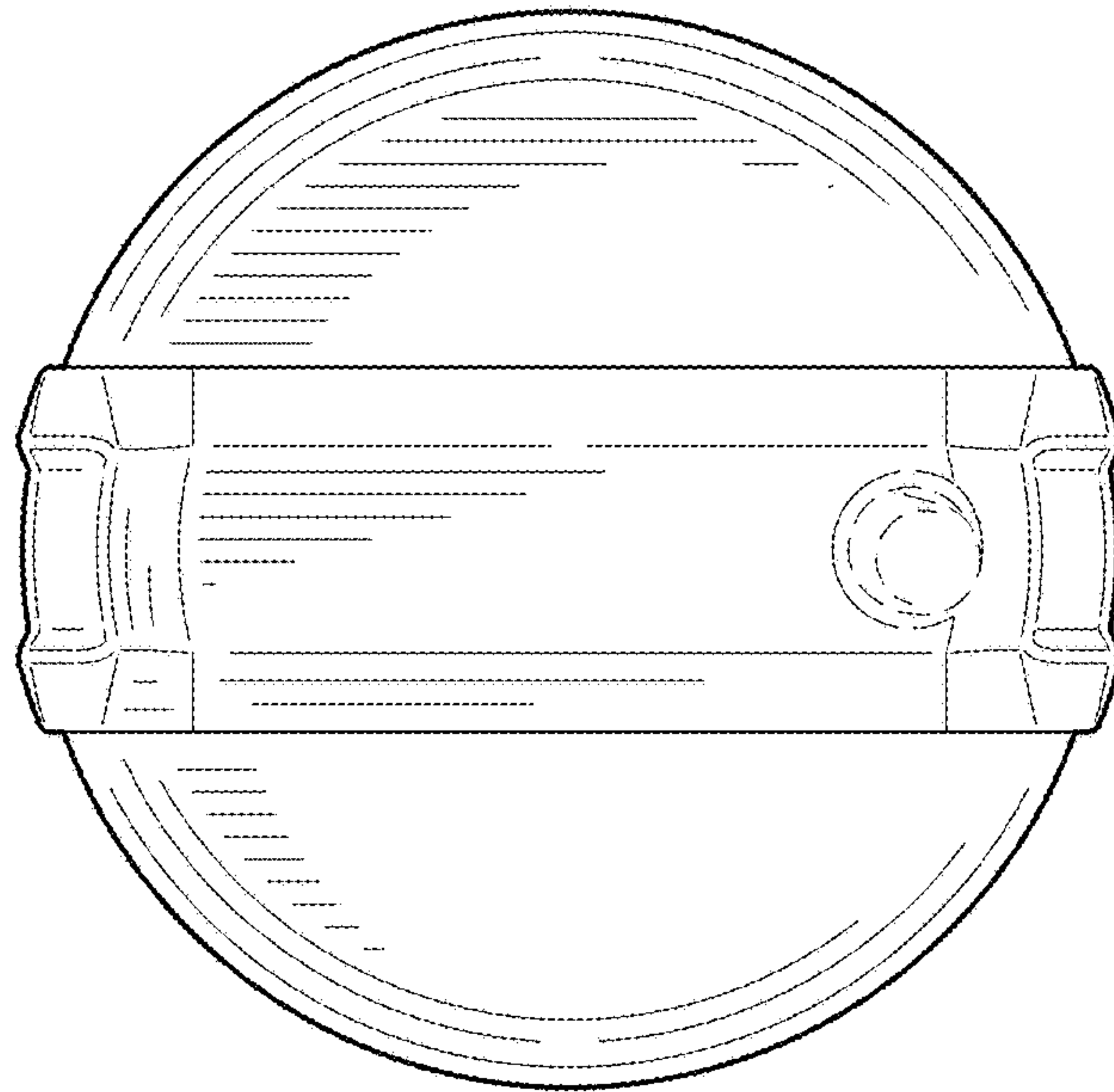


FIG. 7

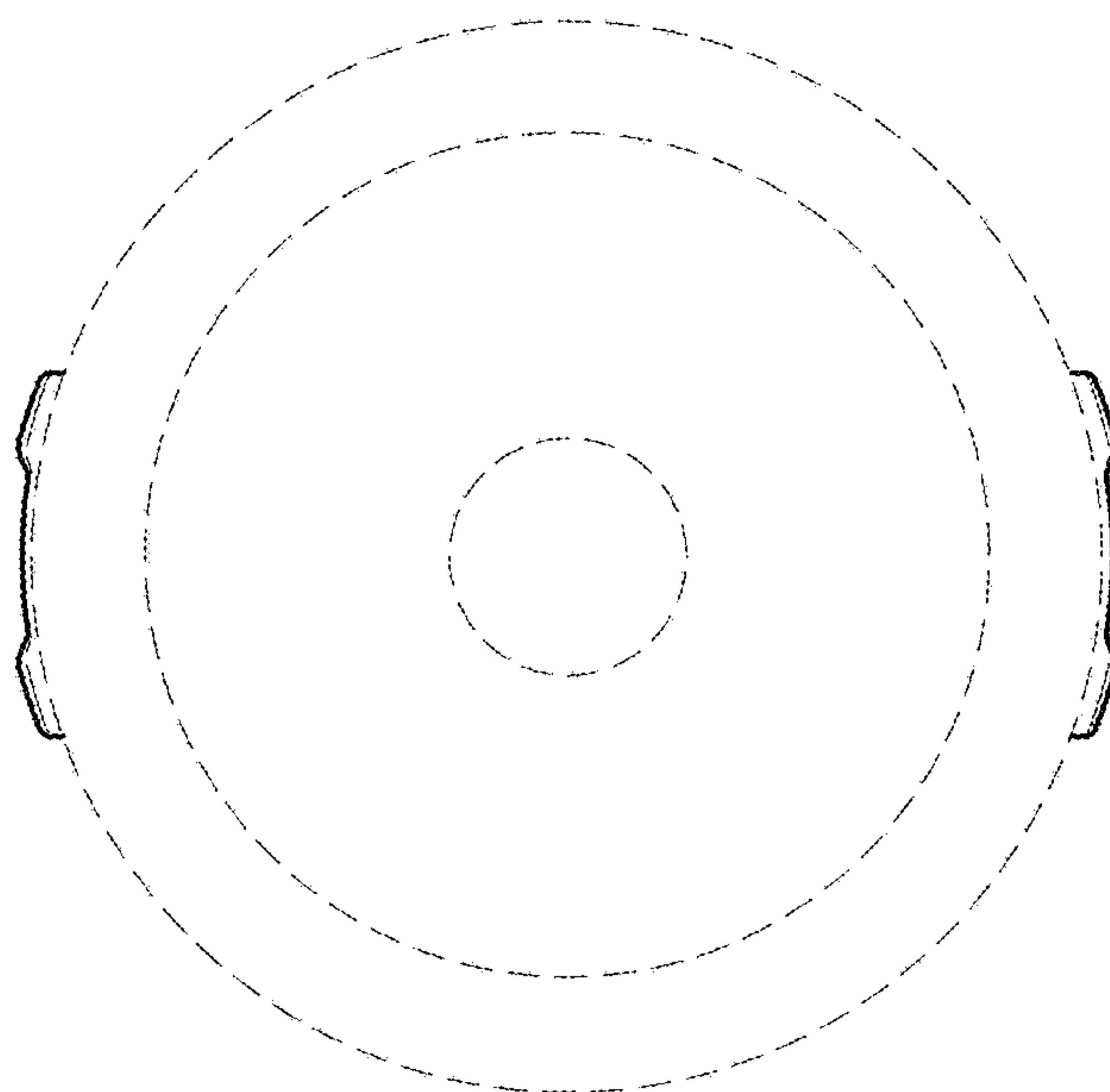


FIG. 8