



US00D805834S

(12) **United States Design Patent**
Vela de Pleitez

(10) **Patent No.:** **US D805,834 S**

(45) **Date of Patent:** **** Dec. 26, 2017**

(54) **FOOD PRODUCT FORMING AND COOKING KIT**

(71) Applicant: **Irma Cristina Vela de Pleitez**, San Salvador (SV)

(72) Inventor: **Irma Cristina Vela de Pleitez**, San Salvador (SV)

(**) Term: **15 Years**

(21) Appl. No.: **29/529,954**

(22) Filed: **Jun. 11, 2015**

(51) **LOC (10) Cl.** **07-02**

(52) **U.S. Cl.**

USPC **D7/352**; D7/357; D7/362

(58) **Field of Classification Search**

USPC D7/323, 328-330, 337, 347, 352-364, D7/367, 402, 409-411

CPC . A21B 5/023; A47J 27/60; A47J 27/62; A47J 37/04; A47J 37/06; A47J 37/067; A47J 37/0605; A47J 37/0611; A47J 37/0623; A47J 37/0629; A47J 37/0676; A47J 2037/06; A47J 2037/0611; F24C 15/10; F24C 15/102; H05B 6/02; H05B 6/062

See application file for complete search history.

(56) **References Cited**

U.S. PATENT DOCUMENTS

- 3,719,507 A * 3/1973 Bardeau A47J 37/0611 219/525
- 3,948,159 A * 4/1976 Vigerstrom A47J 37/0611 99/339
- D262,425 S * 12/1981 Thelander D7/357

- D262,430 S * 12/1981 Thelander D7/357
- 4,363,614 A 12/1982 Zarembo
- 4,759,706 A 7/1988 Damianakos et al.
- 5,253,565 A * 10/1993 Burton A47J 37/0611 219/524
- D502,630 S * 3/2005 Lubowicki D7/352
- D551,896 S * 10/2007 Misceo D7/323
- 7,285,751 B2 * 10/2007 Li A47J 37/0629 219/386
- 7,316,555 B2 1/2008 Hubener
- D620,745 S * 8/2010 Lavy D7/352
- D643,243 S * 8/2011 Harrod D7/352
- D677,528 S * 3/2013 Kwon D7/352
- D679,135 S * 4/2013 Valera D7/352
- D694,570 S * 12/2013 Day D7/352

* cited by examiner

Primary Examiner — Ricky Pham

(74) *Attorney, Agent, or Firm* — Stevenson IP, LLC

(57) **CLAIM**

The ornamental design for a food product forming and cooking kit, as shown and described.

DESCRIPTION

FIG. 1 is a front elevation view of a food product forming and cooking kit including a pair of removable plates showing my new design;

FIG. 2 is a rear elevation view thereof;

FIG. 3 is a right side elevation view thereof, the opposite side being a mirror image of the shown;

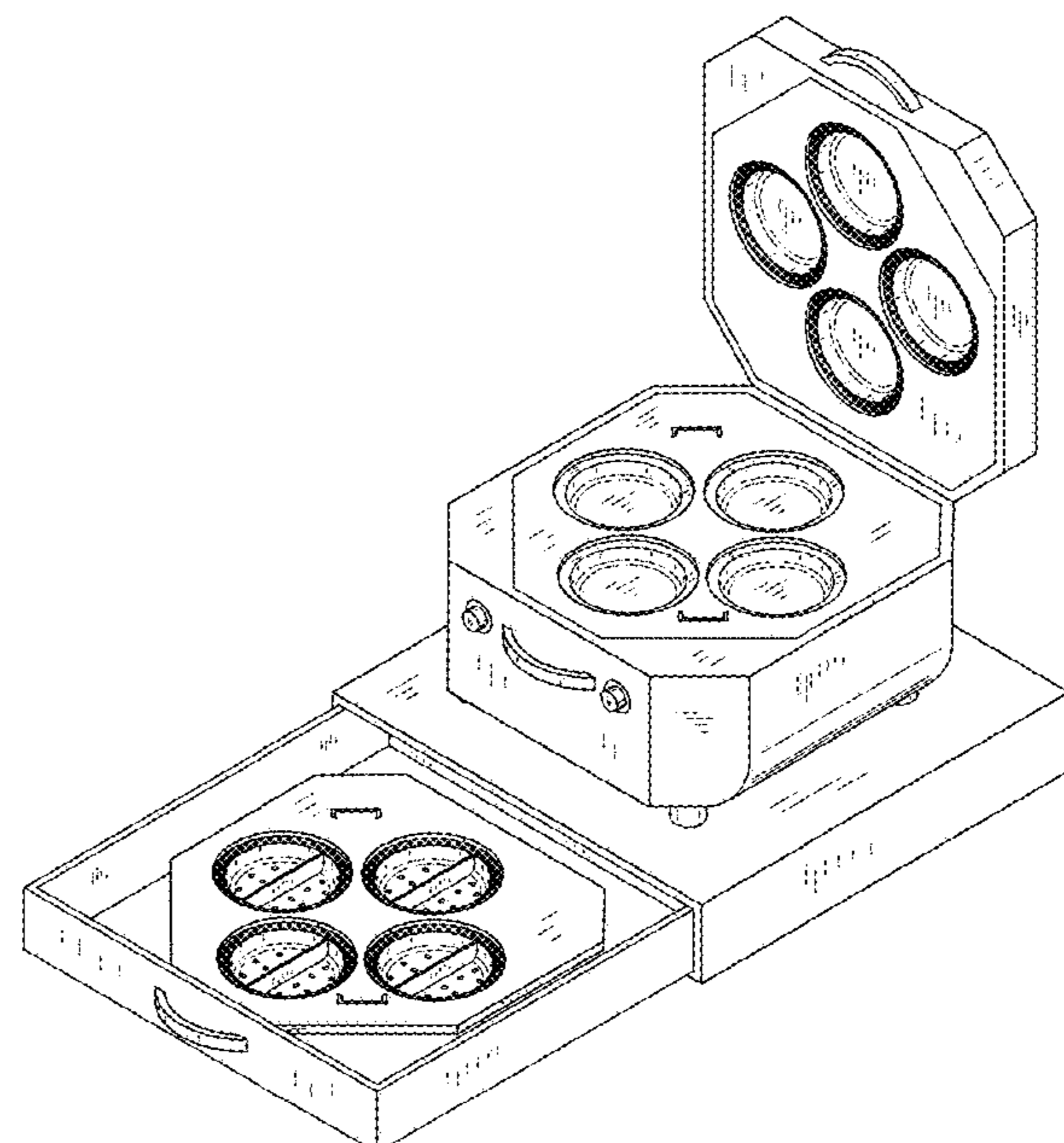
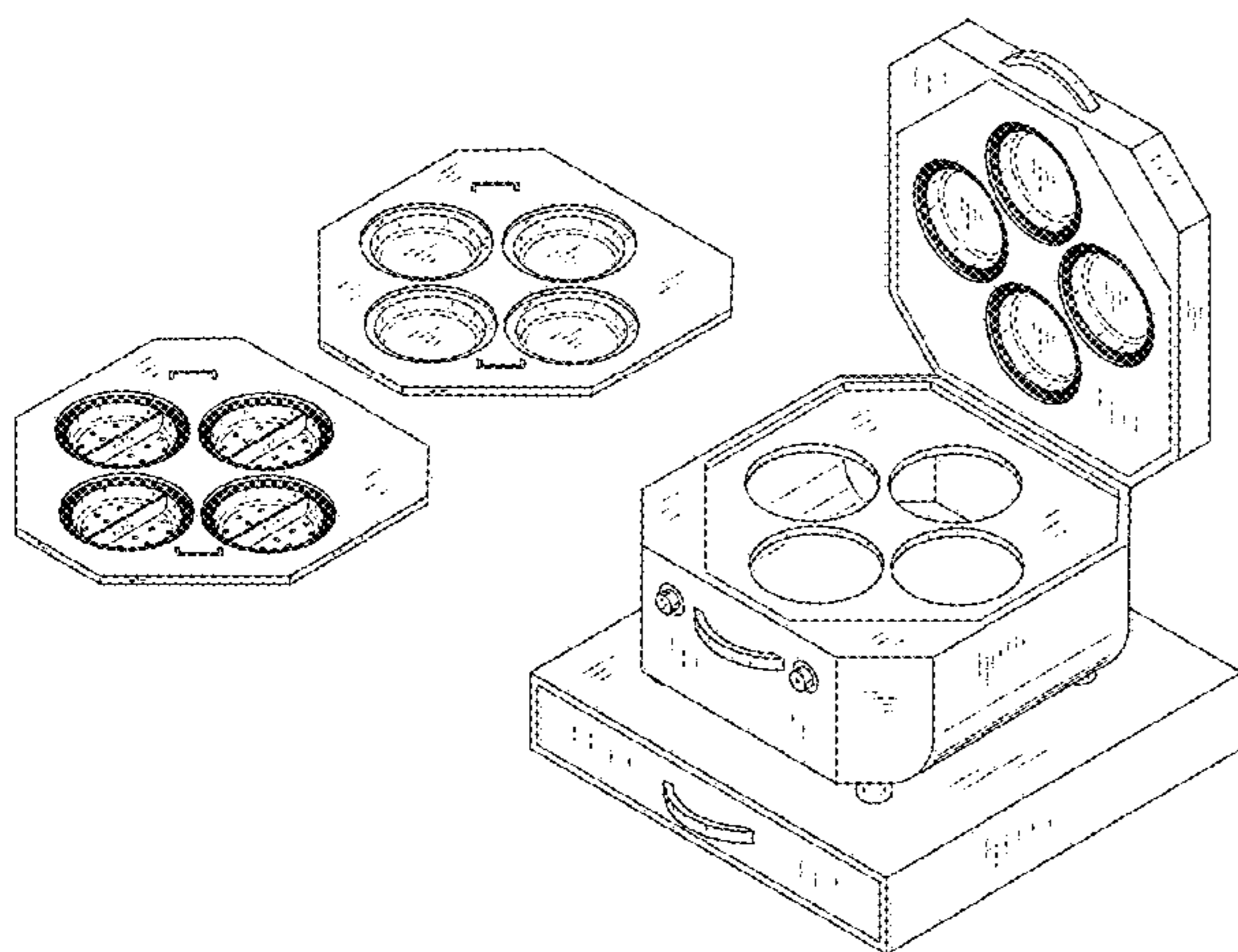
FIG. 4 is a top plan view thereof;

FIG. 5 is bottom plan view thereof;

FIG. 6 is an exploded isometric view thereof; and,

FIG. 7 is an isometric in use view thereof.

1 Claim, 7 Drawing Sheets



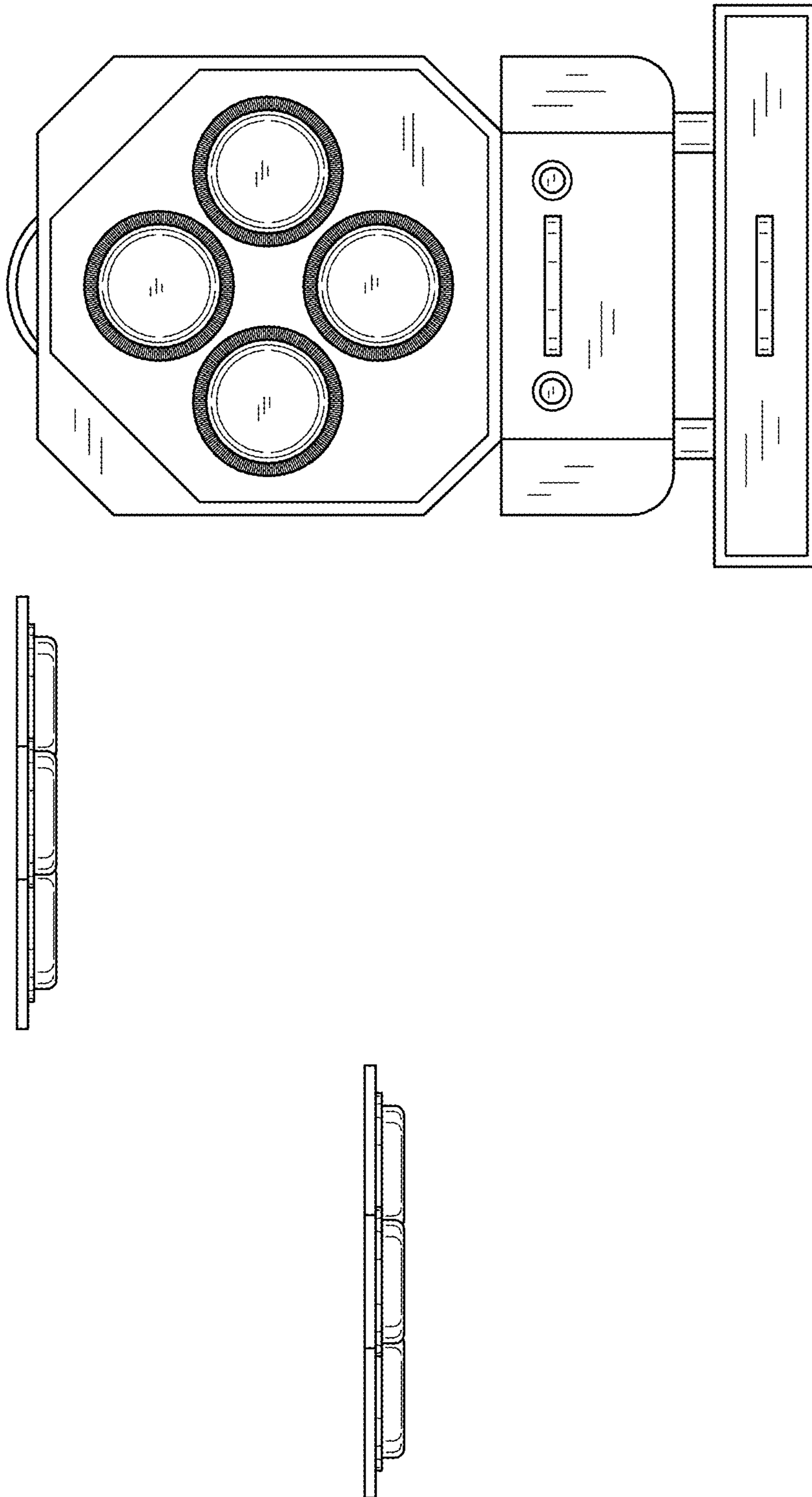


FIG. 1

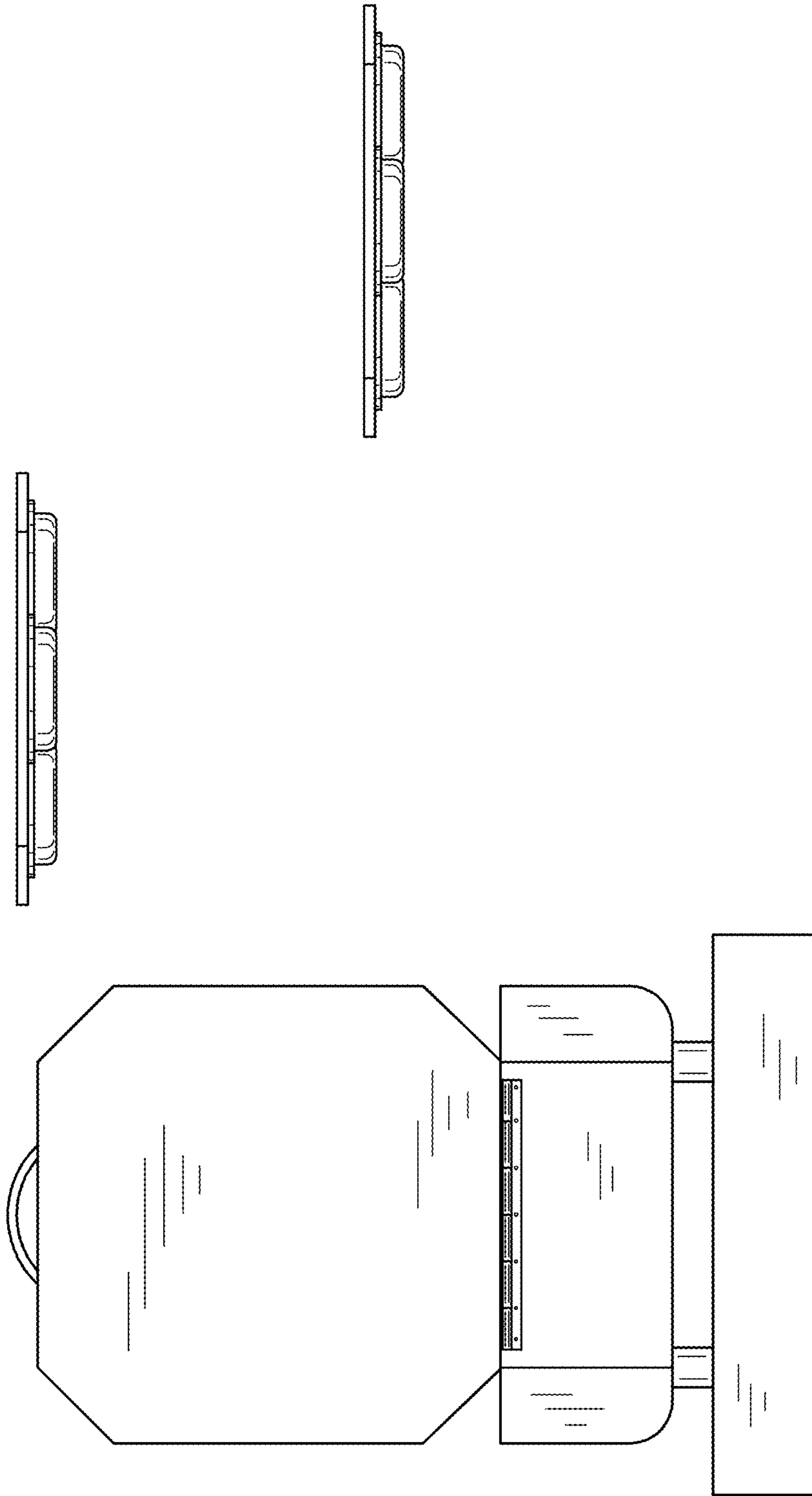
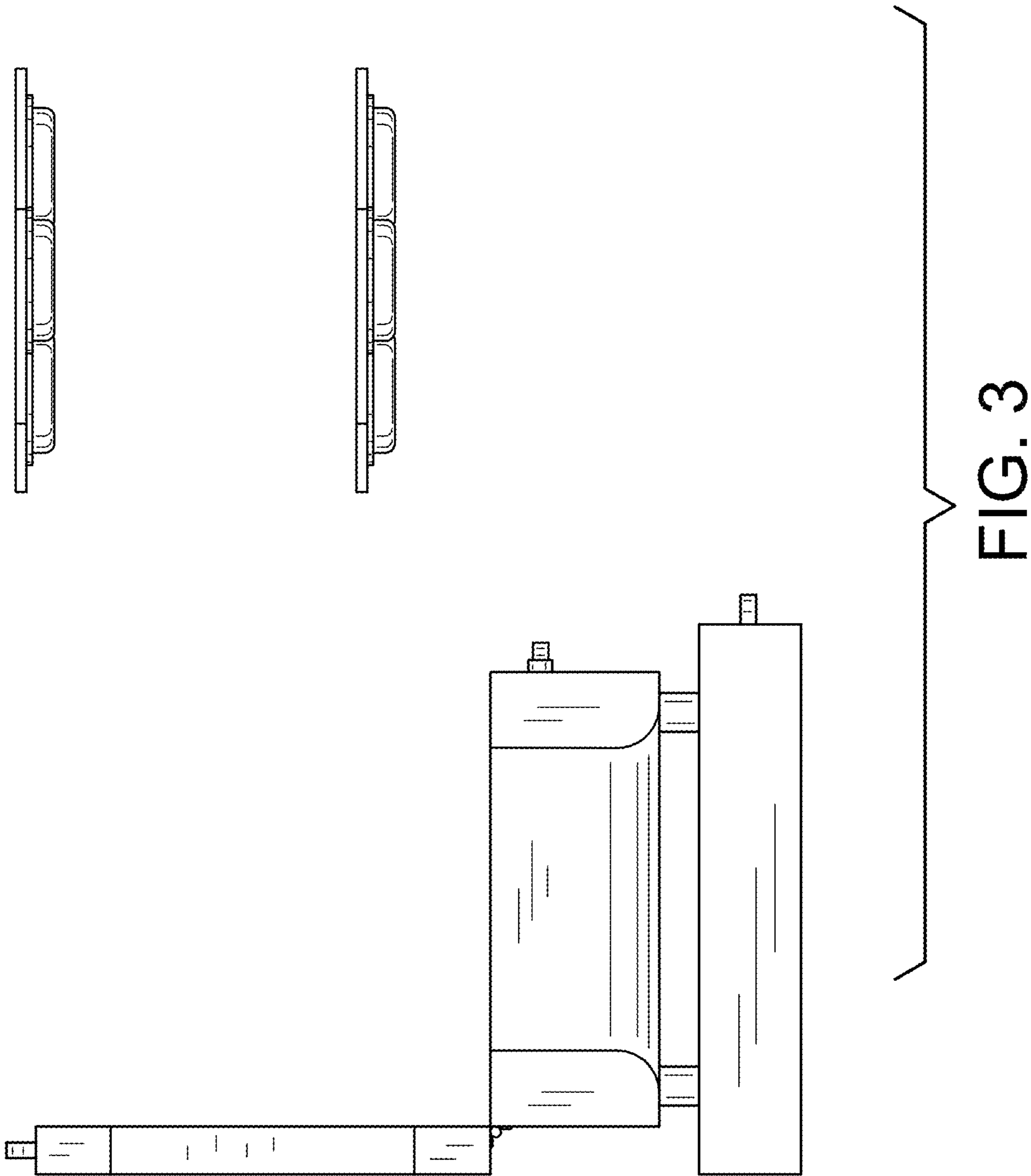


FIG. 2



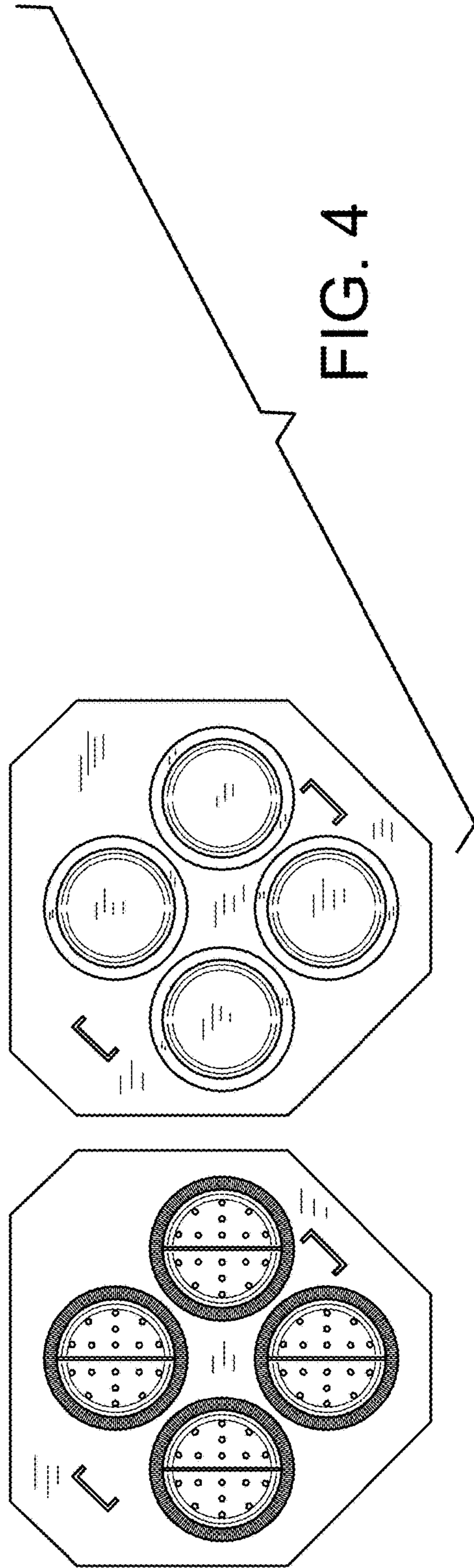
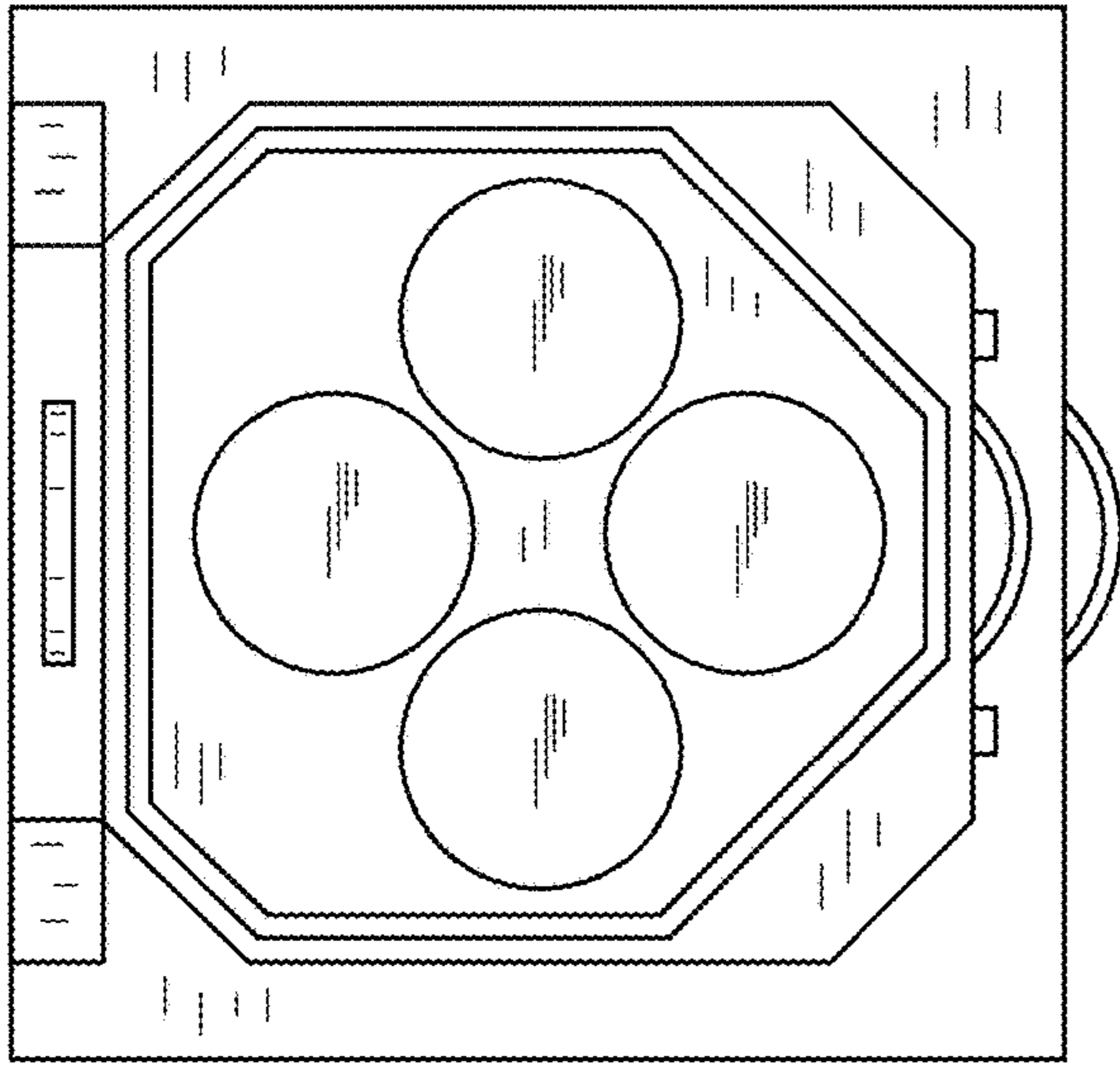
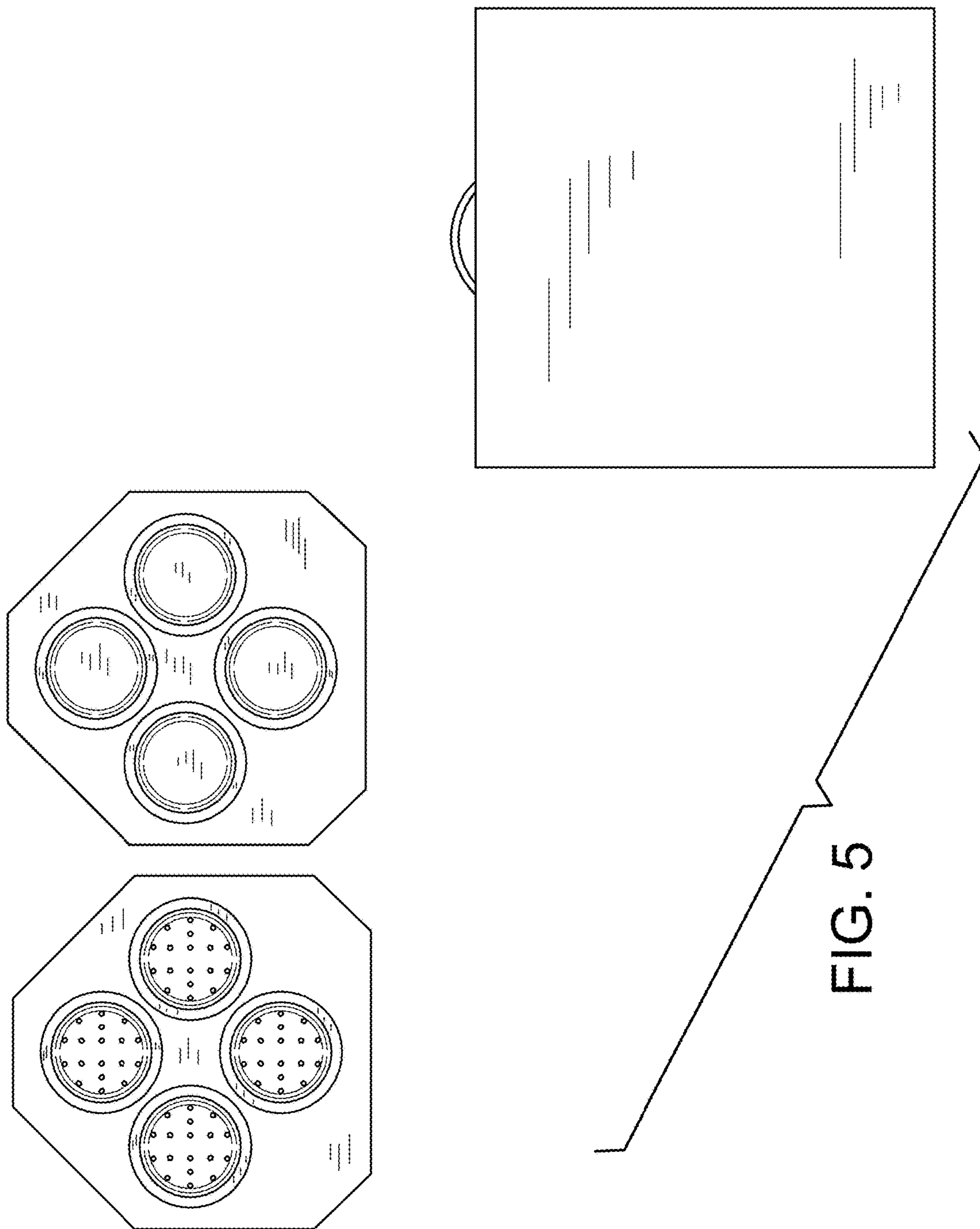
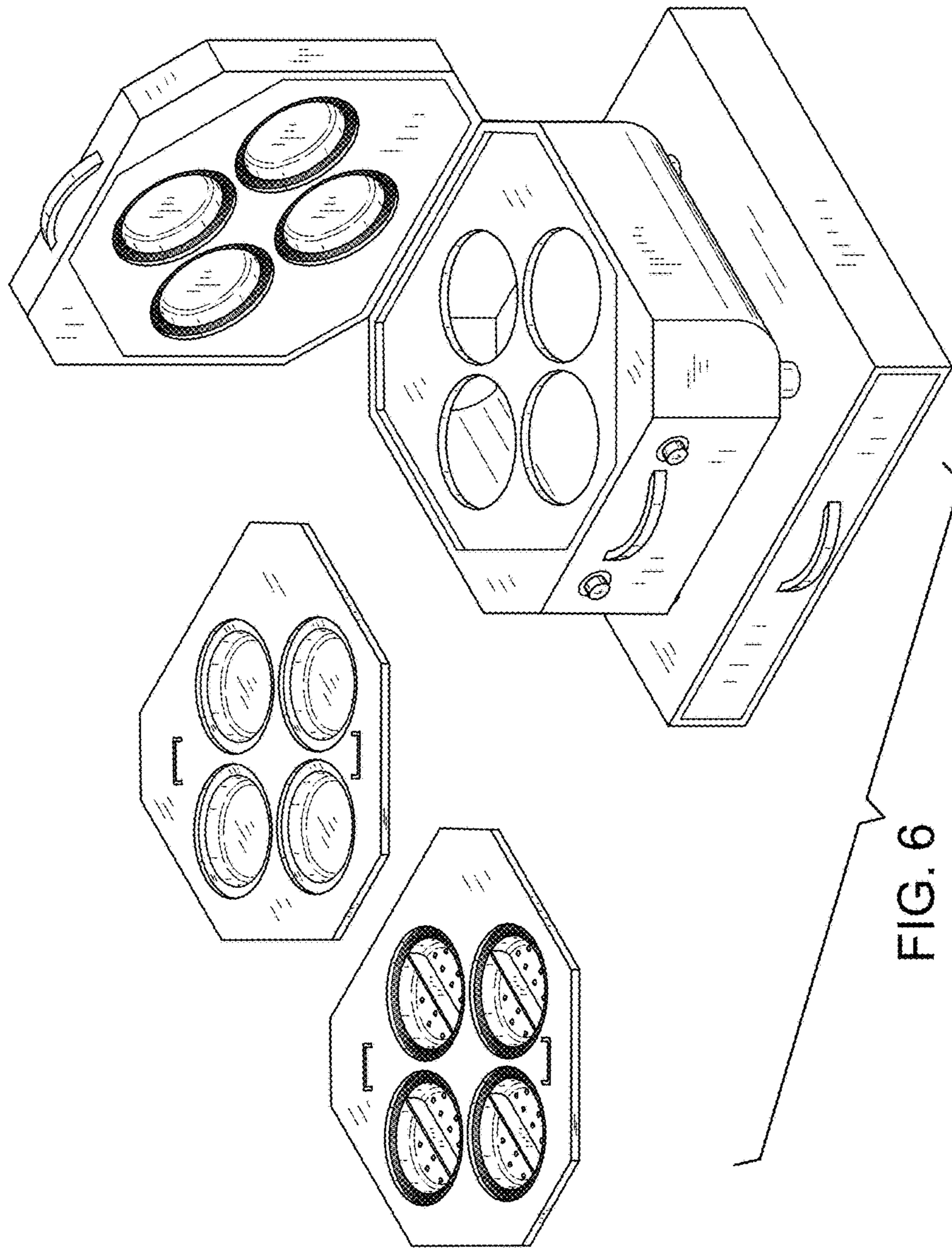


FIG. 4





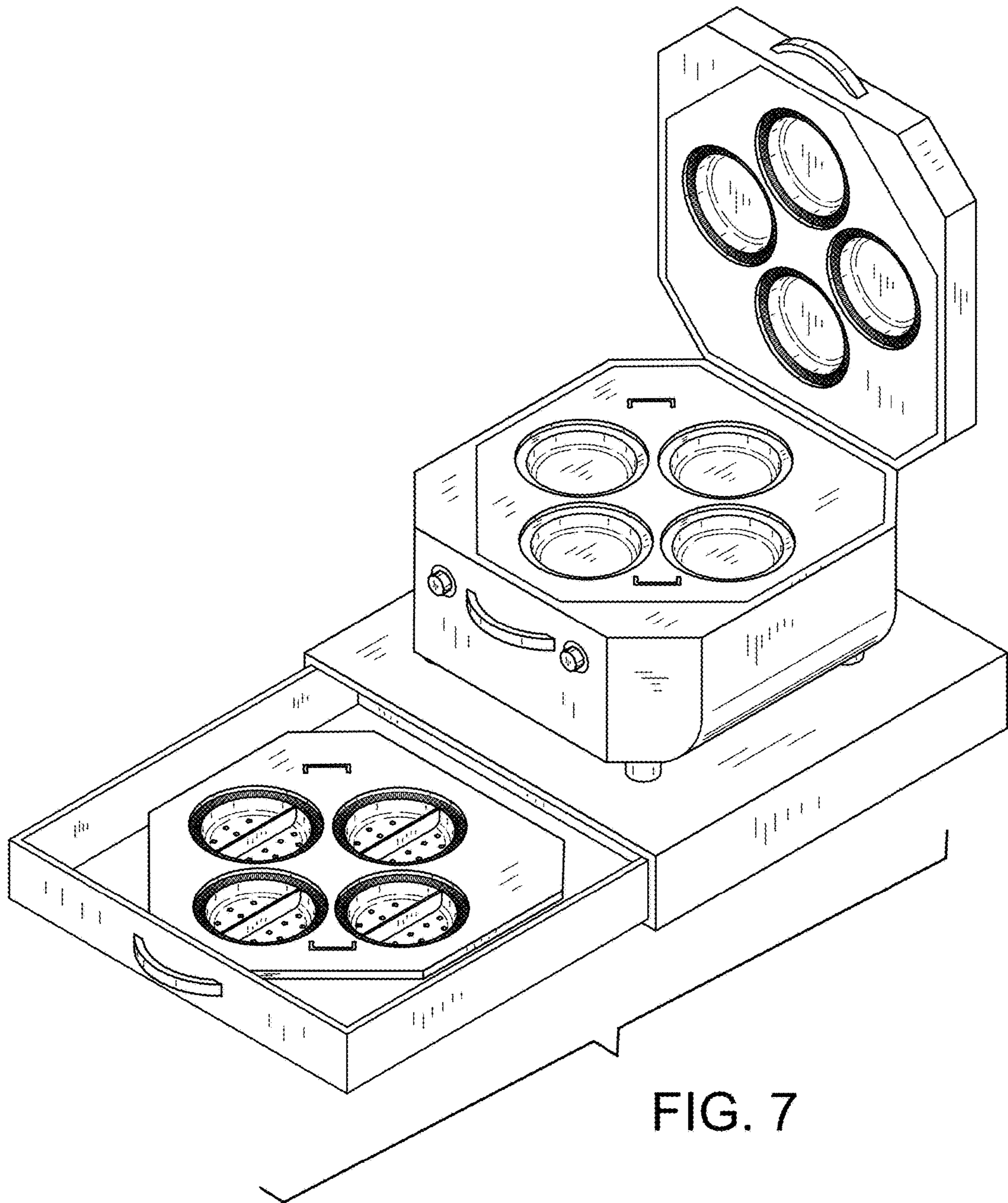


FIG. 7