



US00D805832S

(12) **United States Design Patent**
Kim et al.

(10) **Patent No.:** **US D805,832 S**

(45) **Date of Patent:** **** Dec. 26, 2017**

(54) **ELECTRIC OVEN RANGE**

(71) Applicant: **LG ELECTRONICS INC.**, Seoul (KR)

(72) Inventors: **Myungshik Kim**, Seoul (KR); **Sangwoog Cho**, Seoul (KR); **Jaehun Chung**, Seoul (KR); **Sangwoo Kim**, Seoul (KR)

(73) Assignee: **LG ELECTRONICS INC.**, Seoul (KR)

(**) Term: **15 Years**

(21) Appl. No.: **29/568,626**

(22) Filed: **Jun. 20, 2016**

(30) **Foreign Application Priority Data**

Dec. 21, 2015 (KR) 30-2015-0065212

(51) **LOC (10) Cl.** **07-02**

(52) **U.S. Cl.**
USPC **D7/340; D7/348; D7/346; D7/344; D7/323**

(58) **Field of Classification Search**

USPC D7/323, 328-330, 339-349, 354, 362, D7/363, 402-408; D8/300-306

CPC F24C 1/00; F24C 3/00; F24C 7/00; F24C 7/002; F24C 7/046; F24C 7/067; F24C 15/00; F24C 15/02; A21B 2/00; A47J 36/26; A47J 37/00; A47J 37/041; A47J 37/04; A47J 37/06; A47J 37/08

See application file for complete search history.

(56) **References Cited**

U.S. PATENT DOCUMENTS

D400,778 S * 11/1998 Holbrook, Jr. D8/311
D424,873 S * 5/2000 Holbrook D7/402

D521,317 S * 5/2006 Hessen D7/340
D525,476 S * 7/2006 Bengtson D7/349
D555,976 S * 11/2007 Baldwin D7/405
D560,959 S * 2/2008 Shin D7/348
D604,987 S * 12/2009 Jung D7/348
D612,684 S * 3/2010 Baker D7/405
D612,685 S * 3/2010 Baker D7/405
D620,751 S * 8/2010 Cline D7/405
D623,889 S * 9/2010 Kim D7/340
D634,156 S * 3/2011 Fuller D7/393
D637,886 S * 5/2011 Bengtson D8/311
D642,042 S * 7/2011 Kim D8/311
D651,461 S * 1/2012 Browne D7/405
D655,128 S * 3/2012 Kim D7/340
D696,554 S * 12/2013 Kim D7/406
D704,978 S * 5/2014 Kim D7/340
D710,644 S * 8/2014 Kim D7/340
D710,645 S * 8/2014 Kim D7/340
D714,366 S * 9/2014 Jeon D15/89
D731,844 S * 6/2015 Kim D7/340
D736,027 S * 8/2015 Funnell, II D7/339

(Continued)

Primary Examiner — Caron D Veynar

Assistant Examiner — Mehri Bajoul

(74) *Attorney, Agent, or Firm* — Birch, Stewart, Kolasch & Birch, LLP

(57) **CLAIM**

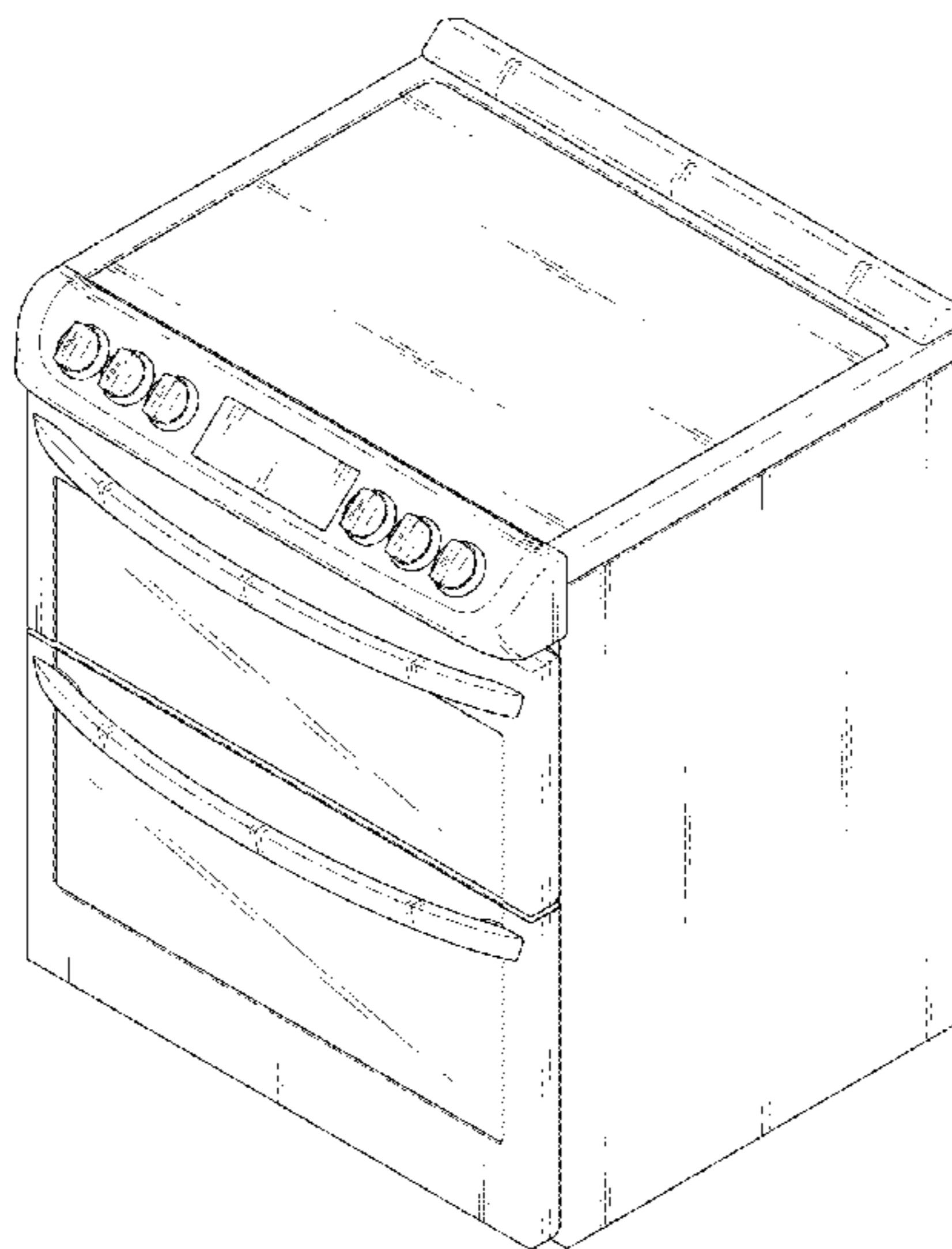
The ornamental design for a electric oven range, as shown and described.

DESCRIPTION

FIG. 1 is a front, right side, perspective view of an electric oven range showing our new design; FIG. 2 is a front view thereof; FIG. 3 is a rear view thereof; FIG. 4 is a left side view thereof; FIG. 5 is a right side view thereof; and, FIG. 6 is a top view thereof.

The broken lines show portions of the electronic oven range that form no part of the claimed design.

1 Claim, 6 Drawing Sheets



(56)

References Cited

U.S. PATENT DOCUMENTS

D748,166	S *	1/2016	Jeon	D15/89
D755,007	S *	5/2016	Lee	D7/405
D755,008	S *	5/2016	Kim	D7/406
D755,009	S *	5/2016	Kim	D7/406
D755,558	S *	5/2016	Lee	D7/340
D755,563	S *	5/2016	Kim	D7/406
D763,616	S *	8/2016	Kim	D7/339
D764,853	S *	8/2016	Kim	D7/339
D767,325	S *	9/2016	Funnell, II	D7/346
D778,110	S *	2/2017	Lee	D7/406
2013/0019853	A1 *	1/2013	Kim	F24C 15/02 126/190
2014/0097172	A1 *	4/2014	Kang	F24C 15/02 219/394
2015/0354828	A1 *	12/2015	Adelmann	F24C 15/023 126/19 R

* cited by examiner

FIG. 1

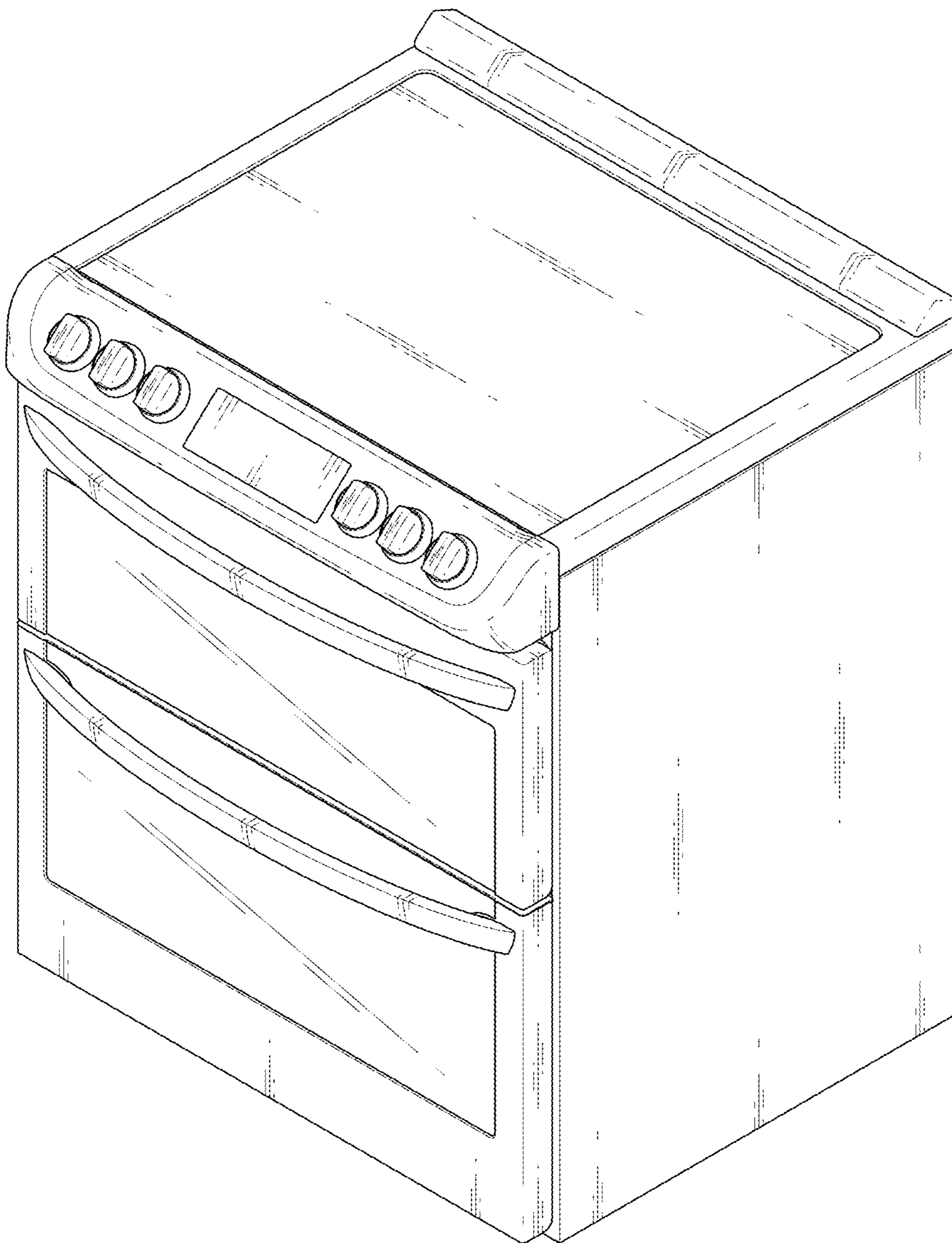


FIG. 2

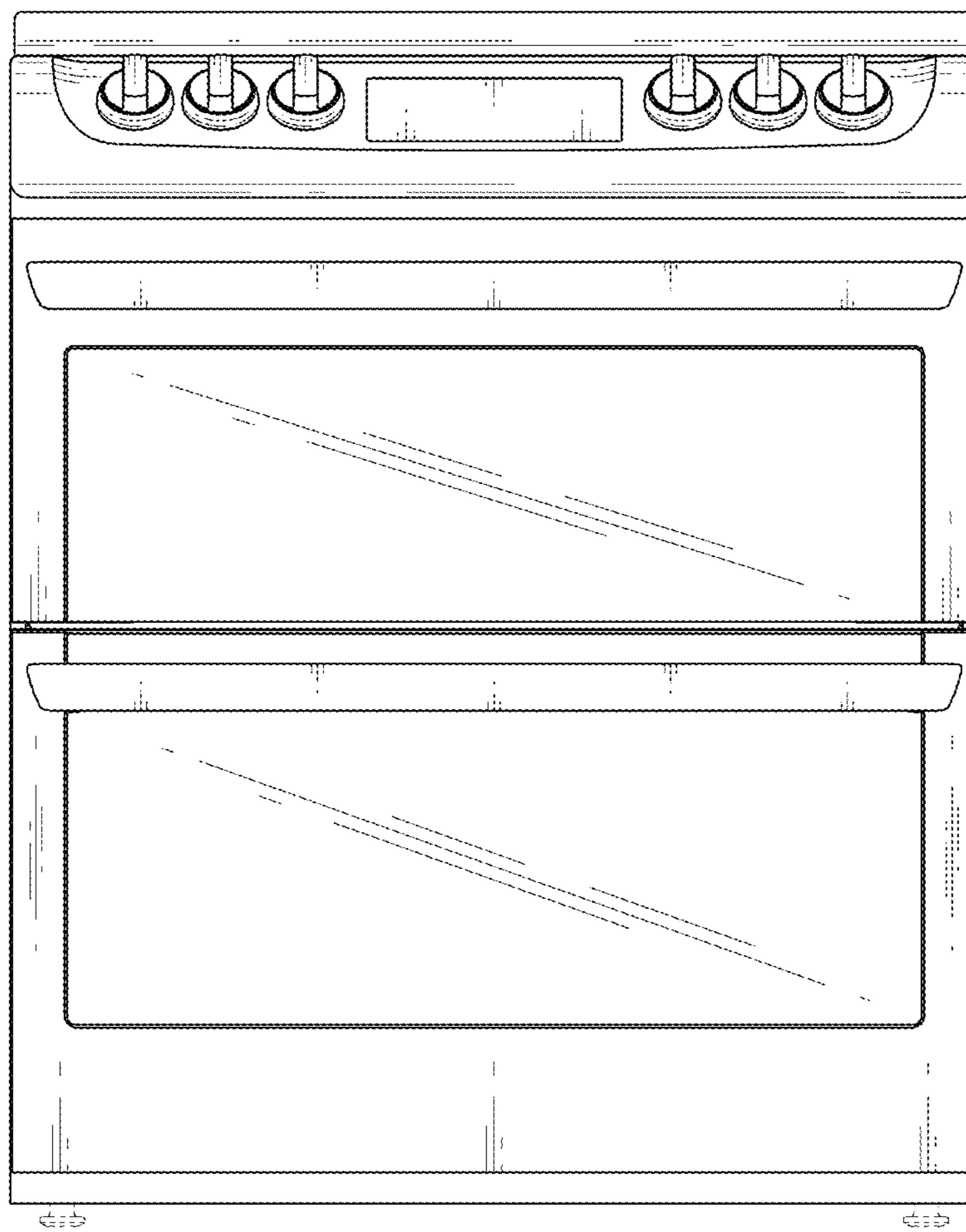


FIG. 3



FIG. 4

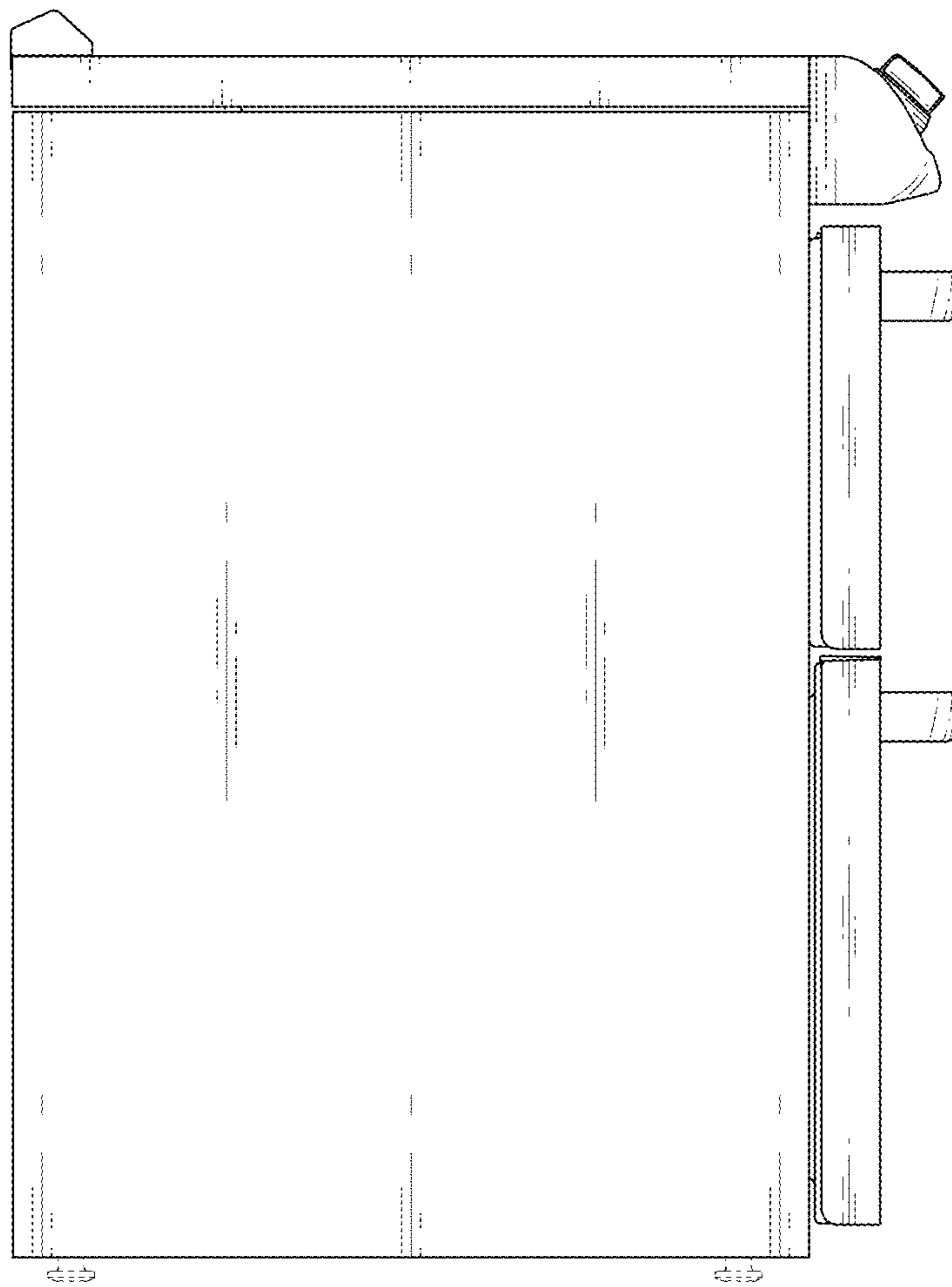


FIG. 5

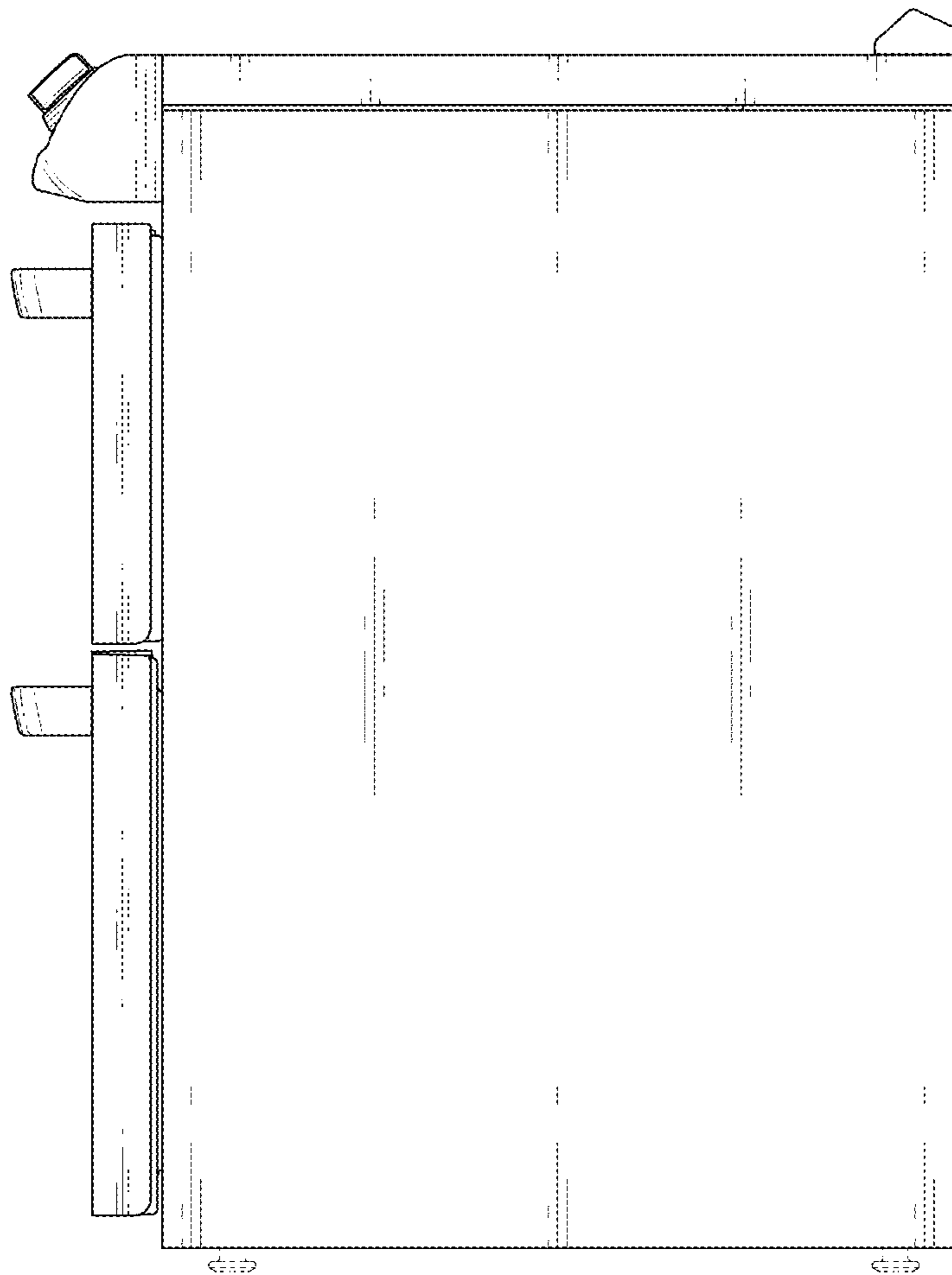


FIG. 6

