



US00D805831S

(12) **United States Design Patent** (10) **Patent No.:** **US D805,831 S**
Sadtler et al. (45) **Date of Patent:** **** Dec. 26, 2017**

- (54) **BUILT-IN COFFEE MACHINE**
- (71) Applicants: **BSH Home Appliances Corporation**, Irvine, CA (US); **BSH Hausgeräte GmbH**, Munich (DE)
- (72) Inventors: **Graham Sadtler**, Huntington Beach, CA (US); **Ruth Prentice**, Irvine, CA (US)
- (73) Assignees: **BSH Home Appliance Corporation**, Irvine, CA (US); **BSH Hausgeräte GmbH**, Munich (DE)

- D586,604 S * 2/2009 Buttler D7/309
- D590,651 S * 4/2009 O'Loughlin D7/309
- D602,728 S * 10/2009 Cesa D7/307
- D614,441 S * 4/2010 Cesa D7/306
- 7,886,653 B2 * 2/2011 Marconi A47J 31/4403
99/279
- D633,746 S * 3/2011 Lam D7/309
- D675,472 S * 2/2013 Strayle D7/309
- D706,567 S * 6/2014 Strayle D7/309
- D707,486 S * 6/2014 Borjesson D7/309
- D728,985 S * 5/2015 Brunner F25C 1/147
D7/305
- D731,842 S * 6/2015 Brunner F25C 1/147
D7/305
- D750,412 S * 3/2016 Gagnon D7/309

(**) Term: **15 Years**

(21) Appl. No.: **29/551,350**

(22) Filed: **Jan. 13, 2016**

(51) **LOC (10) Cl.** **07-01**

(52) **U.S. Cl.**
USPC **D7/309; D7/311**

(58) **Field of Classification Search**
USPC D7/300, 309-311, 306-308, 305, 355,
D7/362, 365, 367, 399; 222/146.6, 185.1,
222/135; 99/295, 273, 304, 288, 279,
99/307, 283
CPC A47J 31/46; A47J 31/407; A47J 31/50;
A47J 31/18; A47J 31/00; A47J 27/04;
A47J 31/0573; A47J 31/52; A47J
31/4403; A47J 31/54; A47J 45/02; A47J
45/00
See application file for complete search history.

(56) **References Cited**

U.S. PATENT DOCUMENTS

- D424,871 S * 5/2000 Hahn D7/309
- 6,321,638 B1 * 11/2001 Schmed A47J 31/4403
99/279
- D557,547 S * 12/2007 Knoell D7/308
- D568,913 S * 5/2008 Suh D15/89

Primary Examiner — Marianne Pandozzi
(74) *Attorney, Agent, or Firm* — Michael E. Tschupp;
Andre Pallapies; Brandon G. Braun

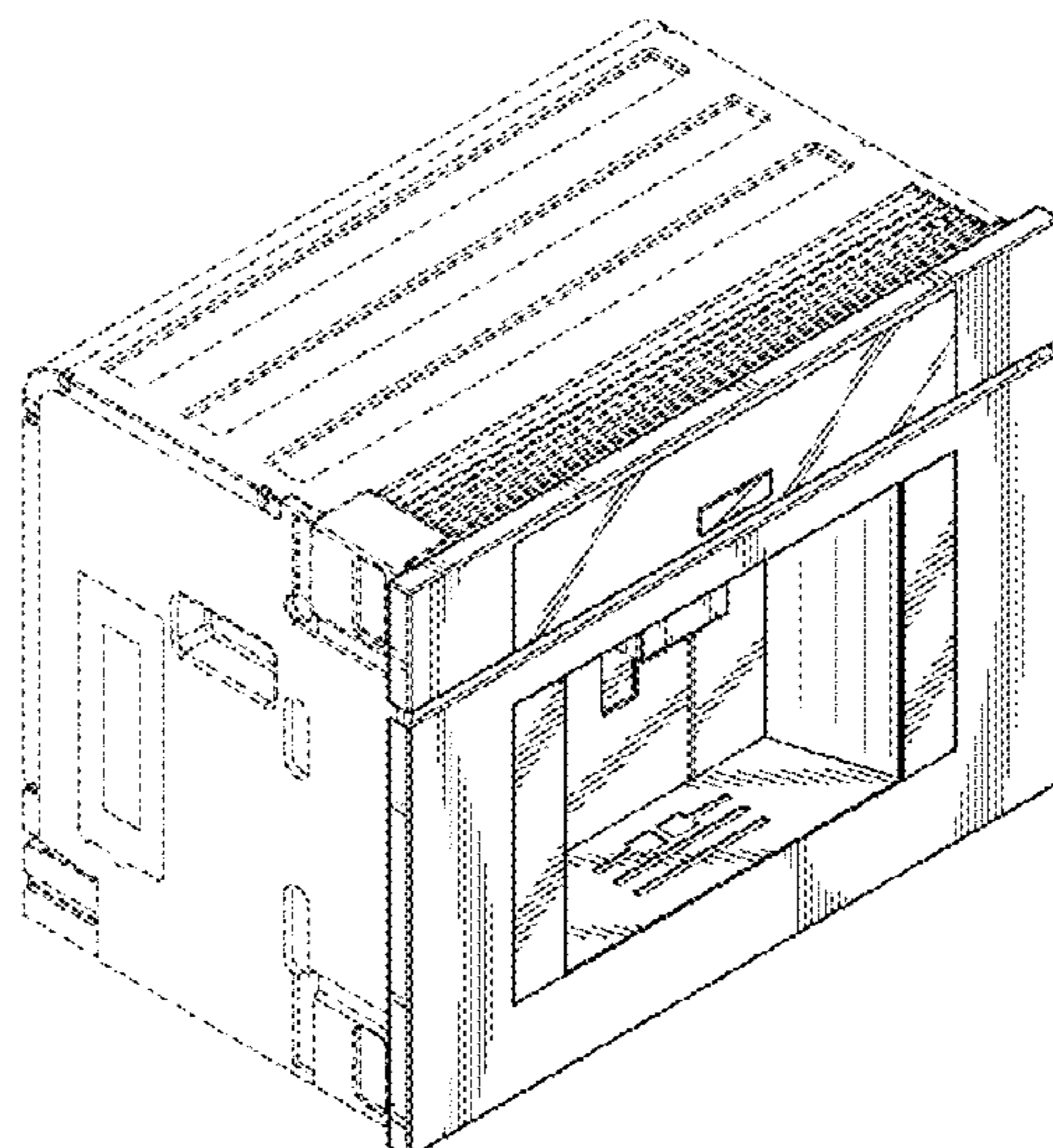
(57) **CLAIM**

The ornamental design for a built-in coffee machine, as shown and described.

DESCRIPTION

FIG. 1 is a perspective view of a built-in coffee machine showing our new design;
FIG. 2 is a front view thereof;
FIG. 3 is a rear view thereof;
FIG. 4 is a top view thereof;
FIG. 5 is a bottom view thereof;
FIG. 6 is a left side view thereof;
FIG. 7 is a right side view thereof;
FIG. 8 is another perspective view thereof; and,
FIG. 9 is yet another perspective view thereof.
One or more views may not be shown as those views are unornamented or simply not claimed.
The broken lines in the drawings depict portions of the built-in coffee machine that form no part of the claimed design.

1 Claim, 9 Drawing Sheets



(56)

References Cited

U.S. PATENT DOCUMENTS

D781,094 S * 3/2017 Lee D7/309
2009/0241782 A1 * 10/2009 Van Dillen A47J 31/407
99/279

* cited by examiner

FIG. 1

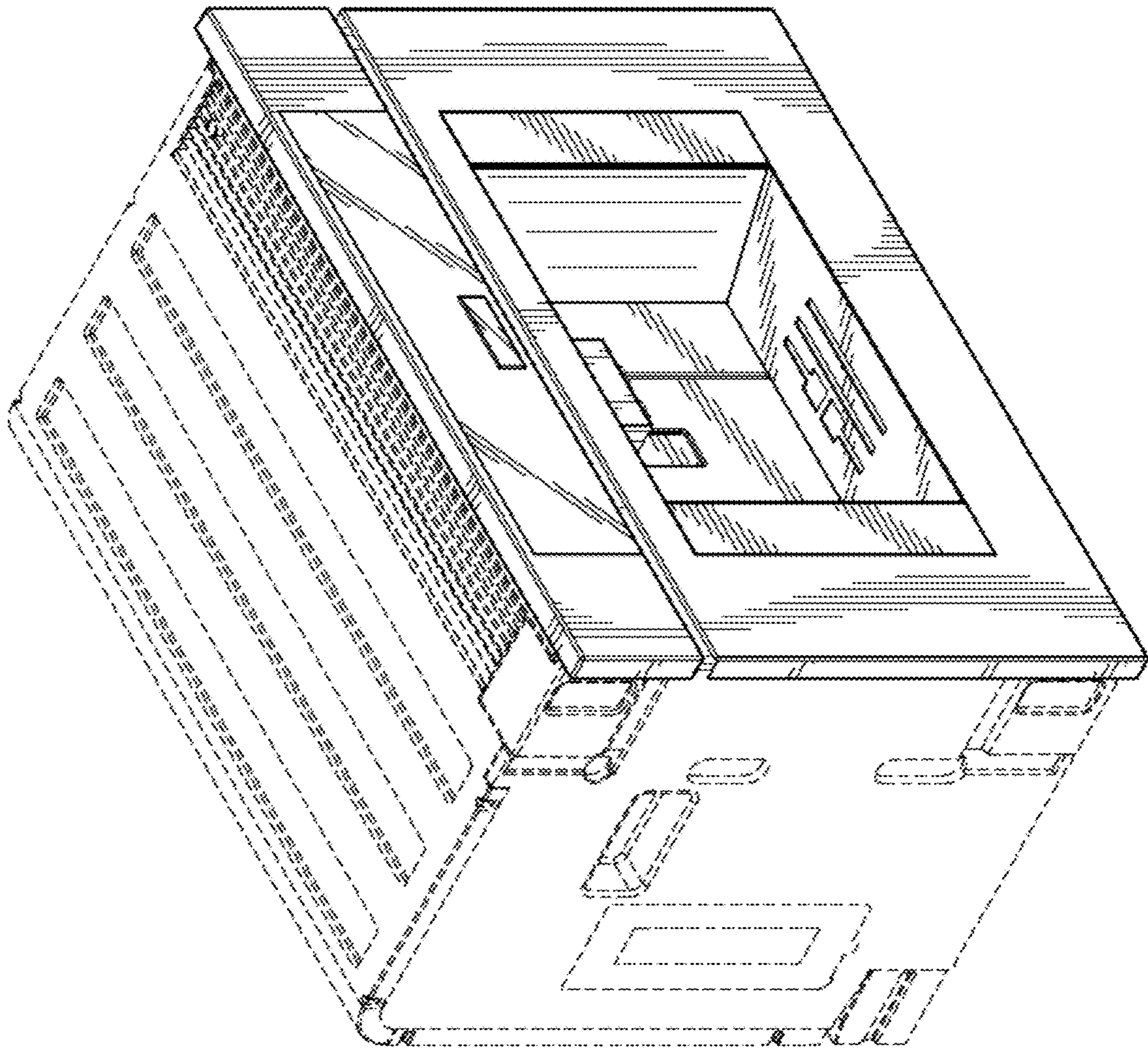
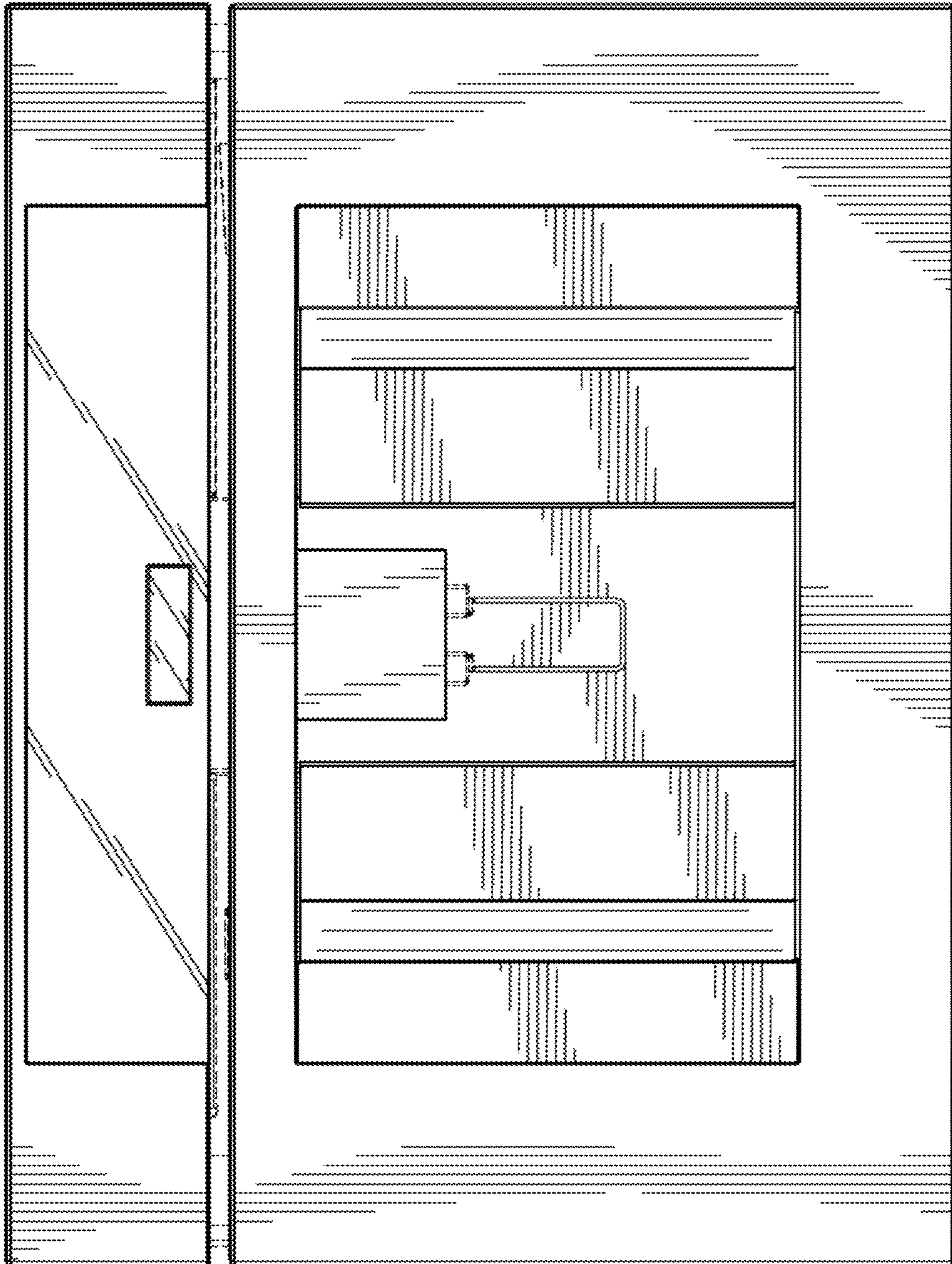


FIG. 2



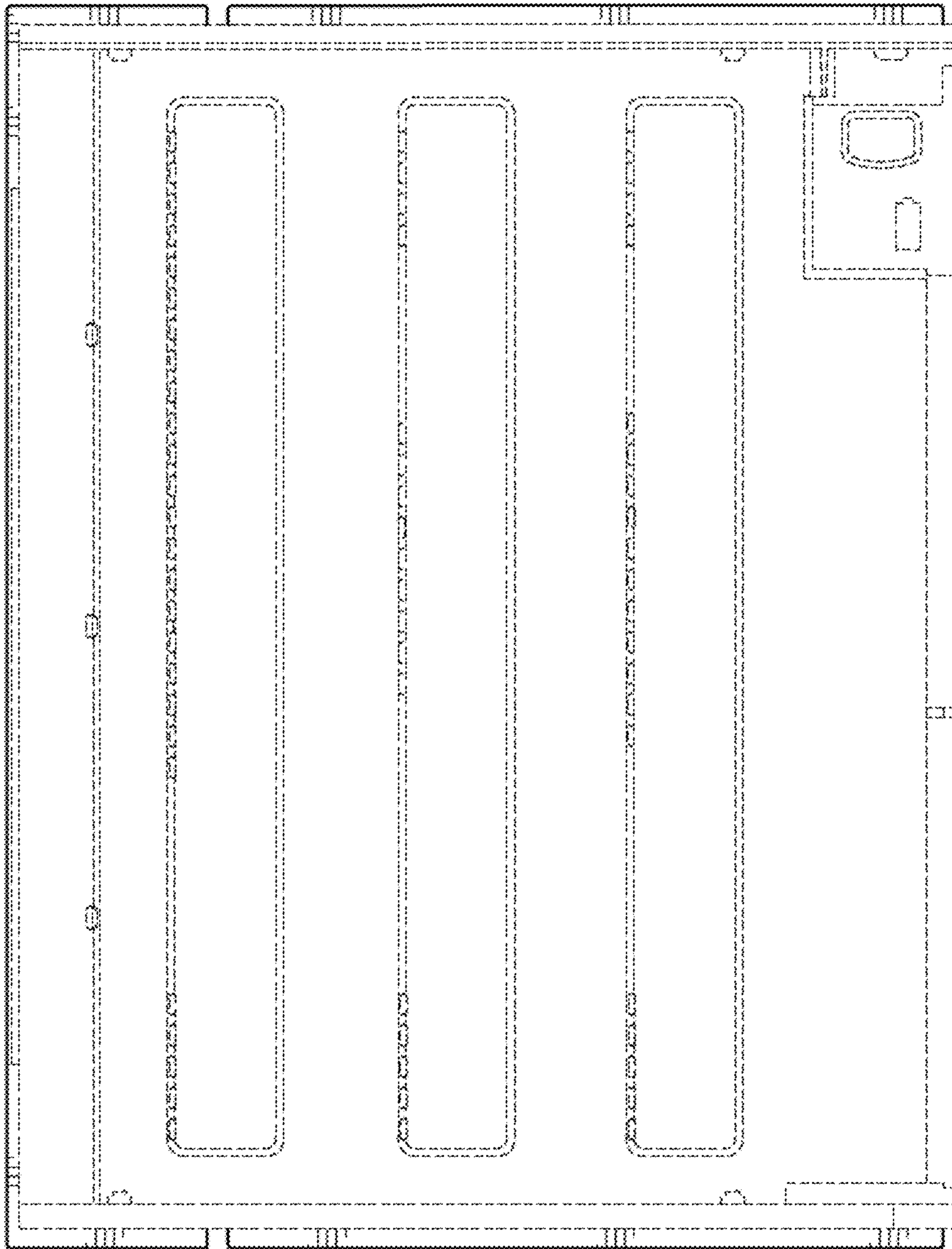


FIG. 3

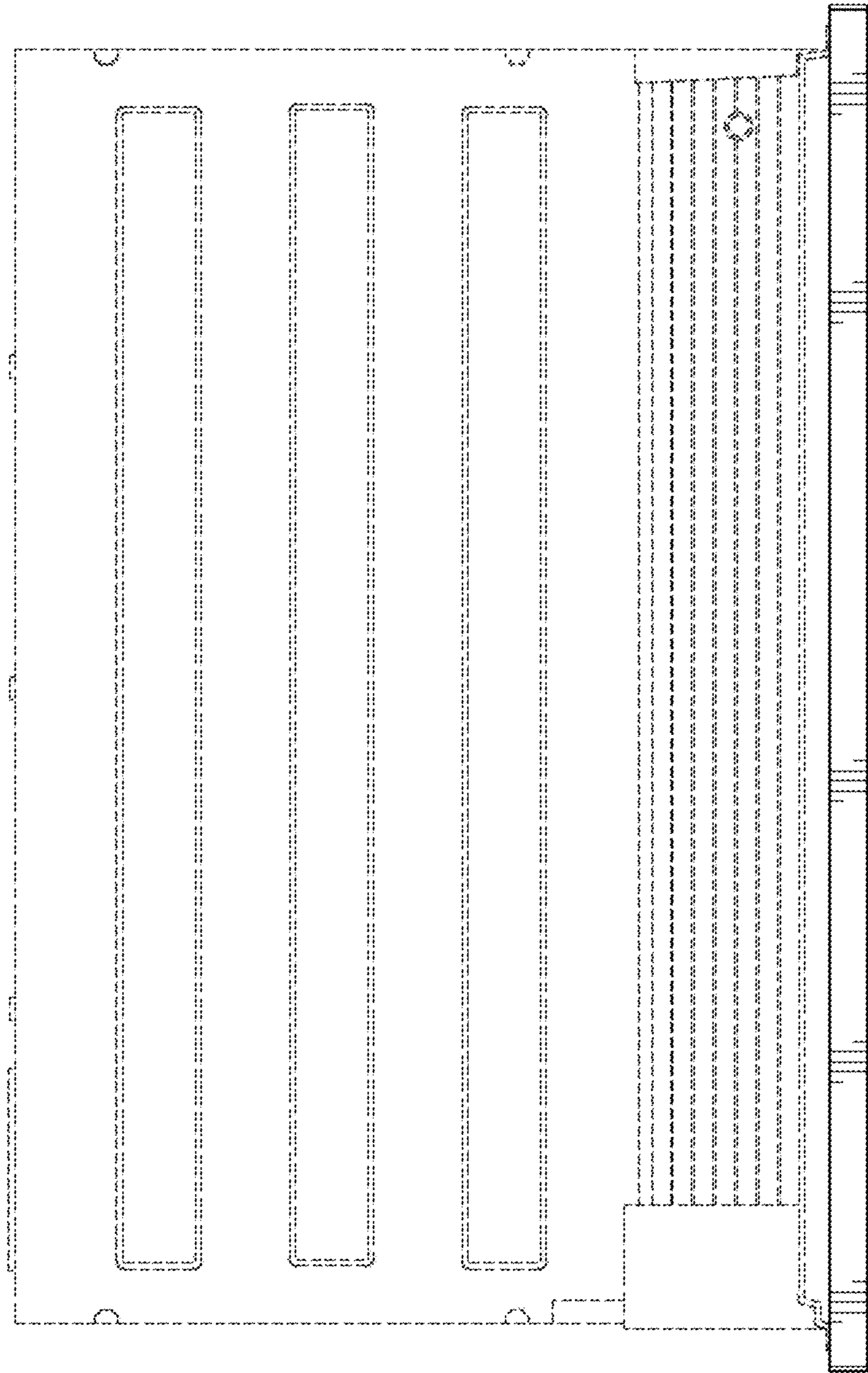


FIG. 4

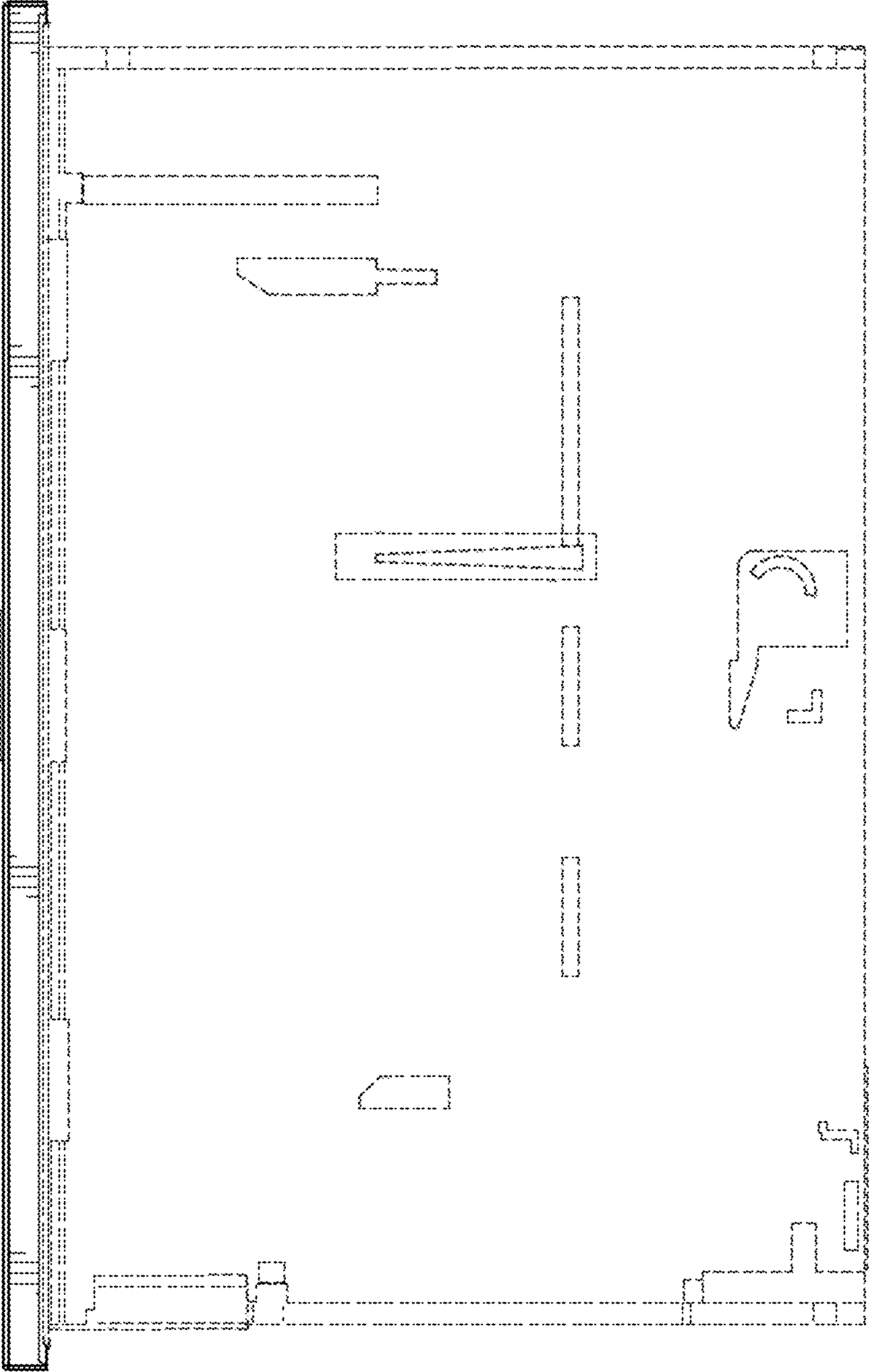


FIG. 5

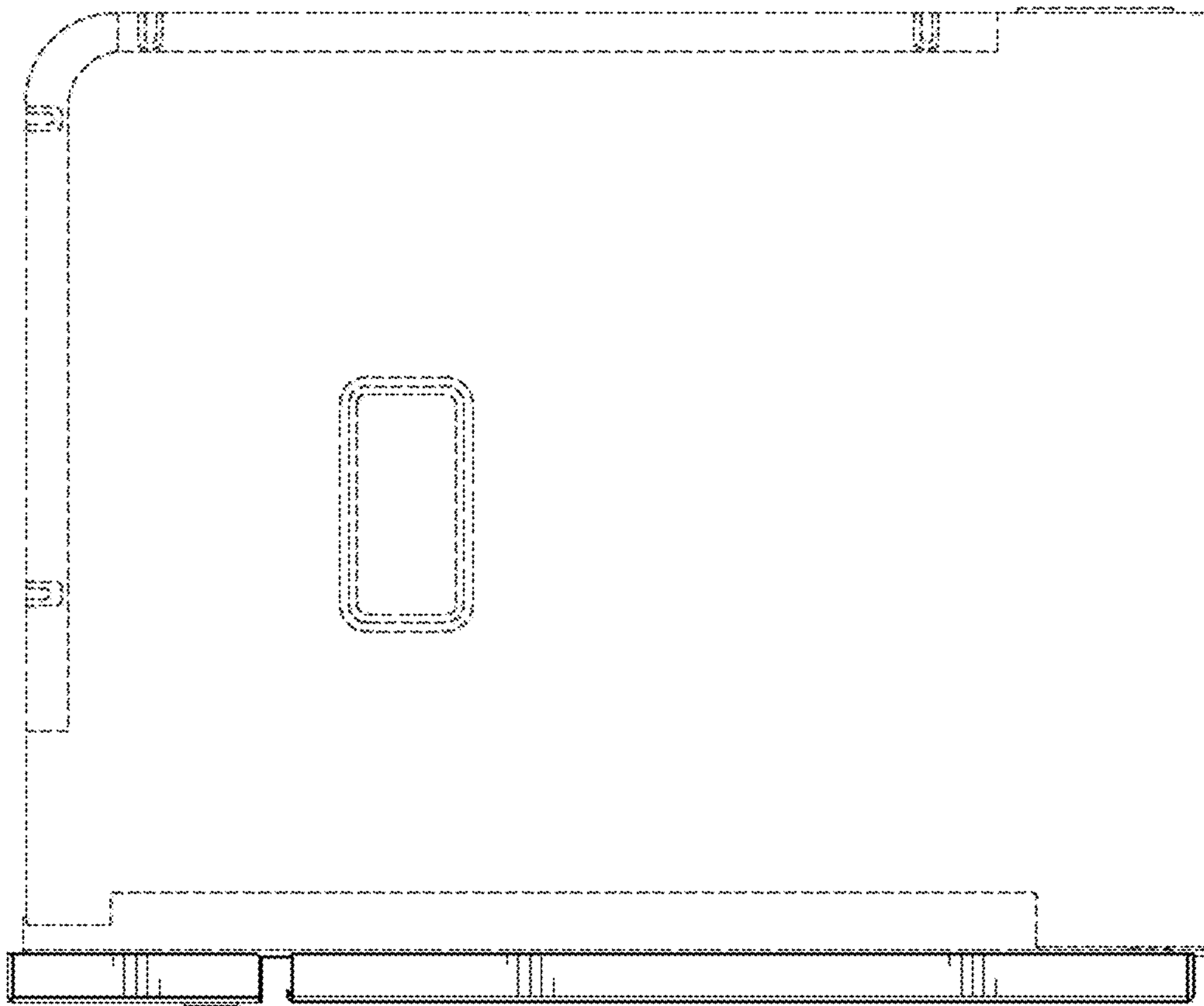


FIG. 6

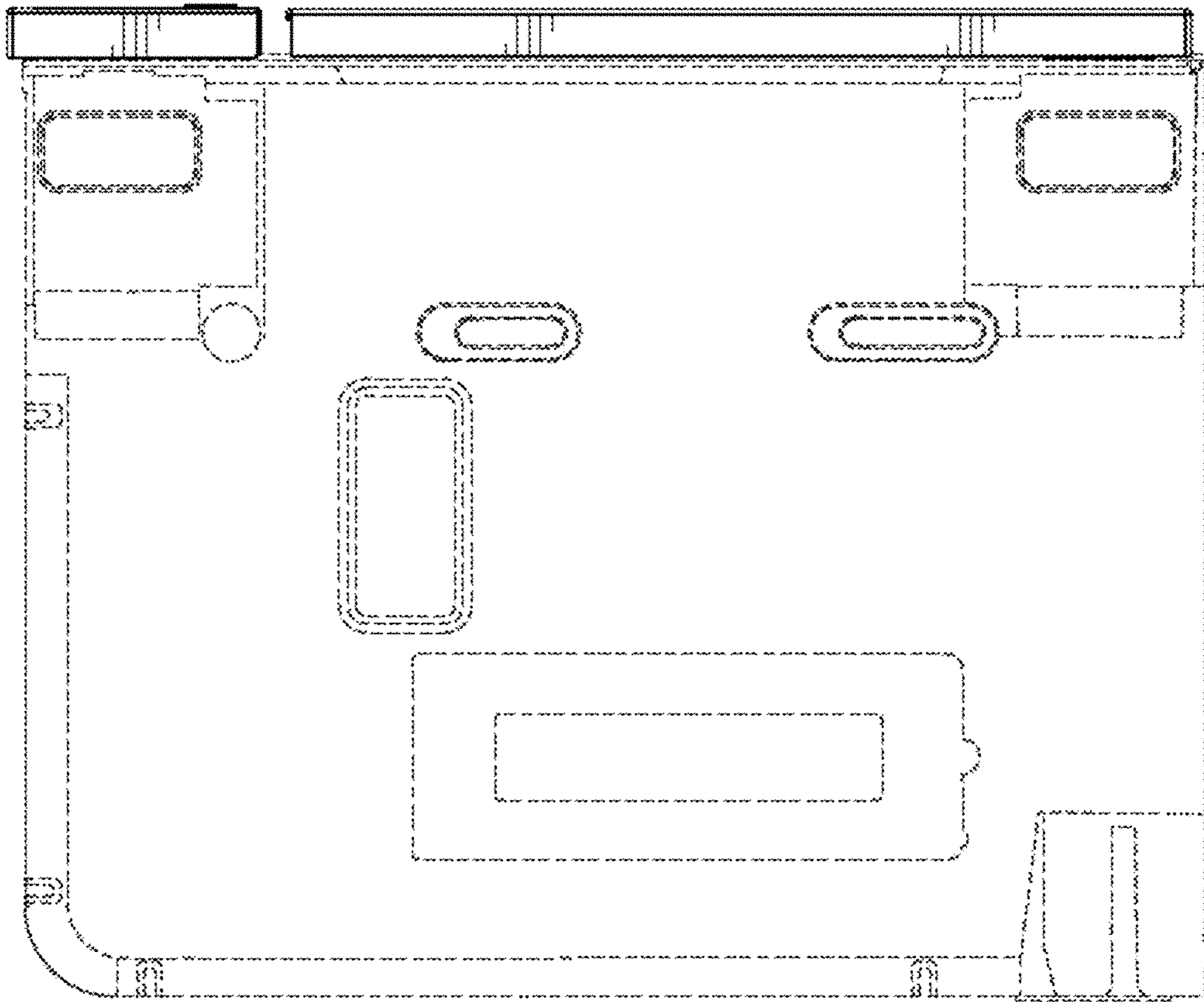
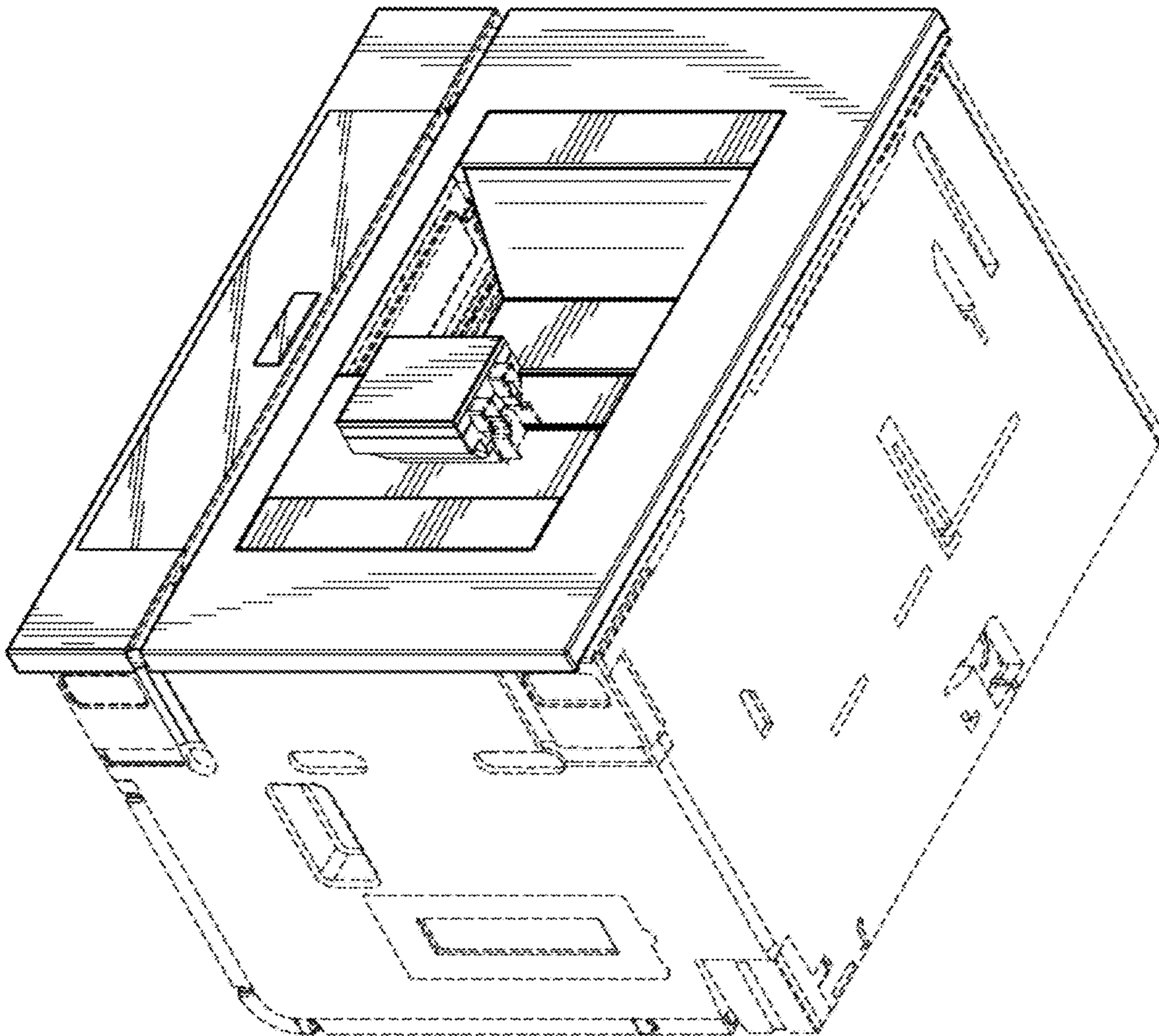


FIG. 7

FIG. 8



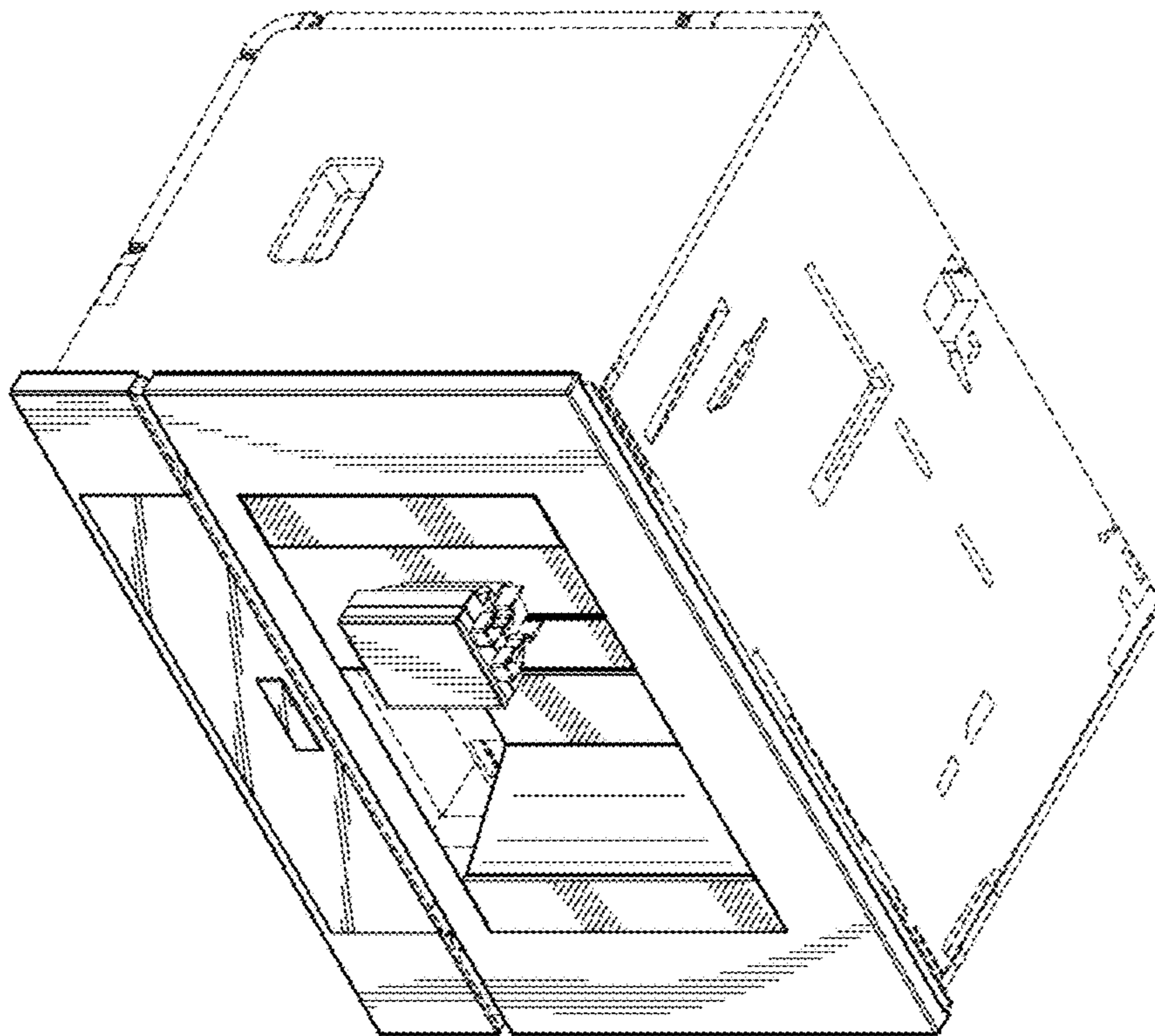


FIG. 9