



US00D805830S

(12) **United States Design Patent** (10) **Patent No.:** **US D805,830 S**
Friedman (45) **Date of Patent:** **** Dec. 26, 2017**

(54) **BEVERAGE DISPENSER ASSEMBLY**

(71) Applicants: **Monique Epstein**, Mill Valley, CA (US); **Jordan Epstein**, Petaluma, CA (US)

(72) Inventor: **Frank Friedman**, Mill Valley, CA (US)

(73) Assignees: **Monique Epstein**, Mill Valley, CA (US); **Jordan Epstein**, Petaluma, CA (US)

(**) Term: **15 Years**

(21) Appl. No.: **29/560,074**

(22) Filed: **Apr. 1, 2016**

(51) **LOC (10) Cl.** **07-01**

(52) **U.S. Cl.**
USPC **D7/306; D7/313**

(58) **Field of Classification Search**
USPC D7/305-311, 313, 589, 608, 300;
D15/82; 222/129.1, 146.6; 99/295;
D9/516, 530, 560
CPC B67D 3/0009; B67D 1/36; B67D
2210/0065; B67D 1/0864; B67D 3/0061;
B67D 1/1477; B67D 3/0012; A47J
31/4403; A47J 31/46; A47J 31/4482;
A47J 31/369; A47J 31/407; A47J 31/30;
A47J 31/20; A47J 4/025
See application file for complete search history.

(56) **References Cited**

U.S. PATENT DOCUMENTS

D67,557 S * 6/1925 Travis D7/313
D75,151 S * 5/1928 Cordley D7/313
D169,793 S * 6/1953 Seiling D7/301
D194,117 S * 11/1962 Weiss D7/313

(Continued)

OTHER PUBLICATIONS

USPTO Office Action, Design U.S. Appl. No. 29/560,077 to Friedman, Office Action dated Apr. 19, 2017, including Quayle Action and Notice of References Cited, on 10 pages.

Primary Examiner — Marianne Pandozzi

(74) *Attorney, Agent, or Firm* — Dergosits & Noah LLP

(57) **CLAIM**

The ornamental design for a beverage dispenser assembly, as shown and described.

DESCRIPTION

Portions of the present disclosure may contain materials which are subject to copyright or trademark protection. The copyright and trademark owner has no objection to the facsimile reproduction by anyone of the patent document or the patent disclosure, as it appears in the U.S. Patent and Trademark Office patent file or records, but otherwise reserves all copyright and trademark rights whatsoever.

FIG. 1 is a perspective view of a first embodiment of a beverage dispenser assembly.

FIG. 2 is a perspective view thereof.

FIG. 3 is an exploded perspective view of the components of the beverage dispenser assembly of FIG. 1.

FIG. 4 is a left side elevational view of the beverage dispenser assembly of FIG. 1.

FIG. 5 is a right side elevational view thereof.

FIG. 6 is a front side elevational view of thereof.

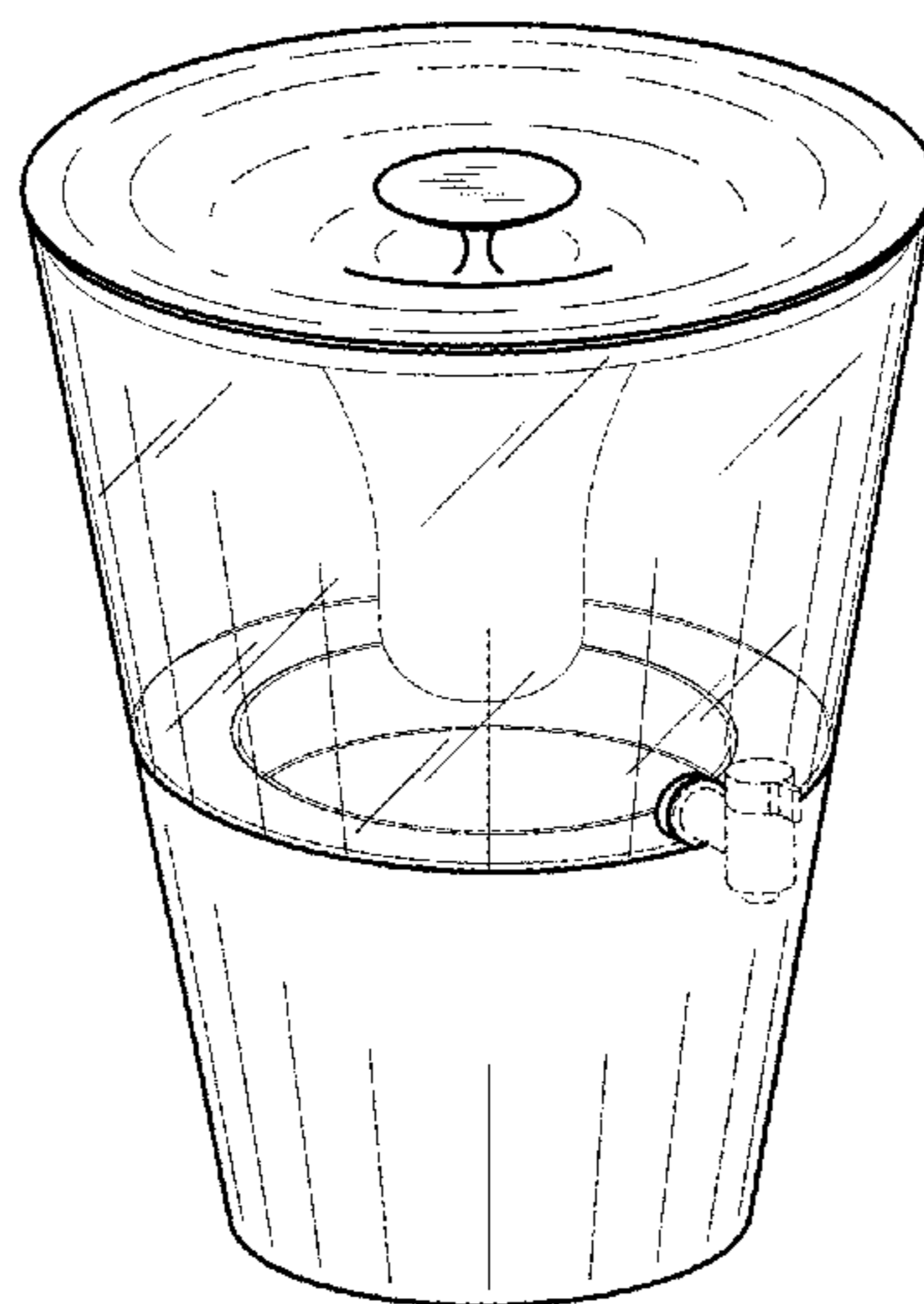
FIG. 7 is a back side elevational view of thereof.

FIG. 8 is an exploded left side elevational view of the components of the beverage dispenser assembly; and,

FIG. 9 is an exploded cross sectional view of the components of the beverage dispenser assembly depicted in FIG. 8, where the cross sectional plane of view in FIG. 9 is indicated by the dashed line and arrows in FIG. 8.

The broken line features shown in the Figures are for the purpose of illustrating features of the beverage dispenser assembly that form no part of the claimed design.

1 Claim, 9 Drawing Sheets



(56)

References Cited

U.S. PATENT DOCUMENTS

3,178,557 A * 4/1965 Umann A47J 31/542
222/146.5
D512,538 S 12/2005 Bird
D543,768 S * 6/2007 Ford D26/104
D599,159 S * 9/2009 Stein D7/306
D633,752 S 3/2011 Macler
D677,100 S * 3/2013 Amundson D7/301
D685,599 S 7/2013 Miller
D723,316 S 3/2015 Epstein
D729,565 S * 5/2015 Starr D7/301
D778,097 S 2/2017 Muspratt-Williams
2005/0077318 A1 * 4/2005 Macler B67B 7/28
222/81
2010/0212419 A1 8/2010 Radhakrishnan

* cited by examiner

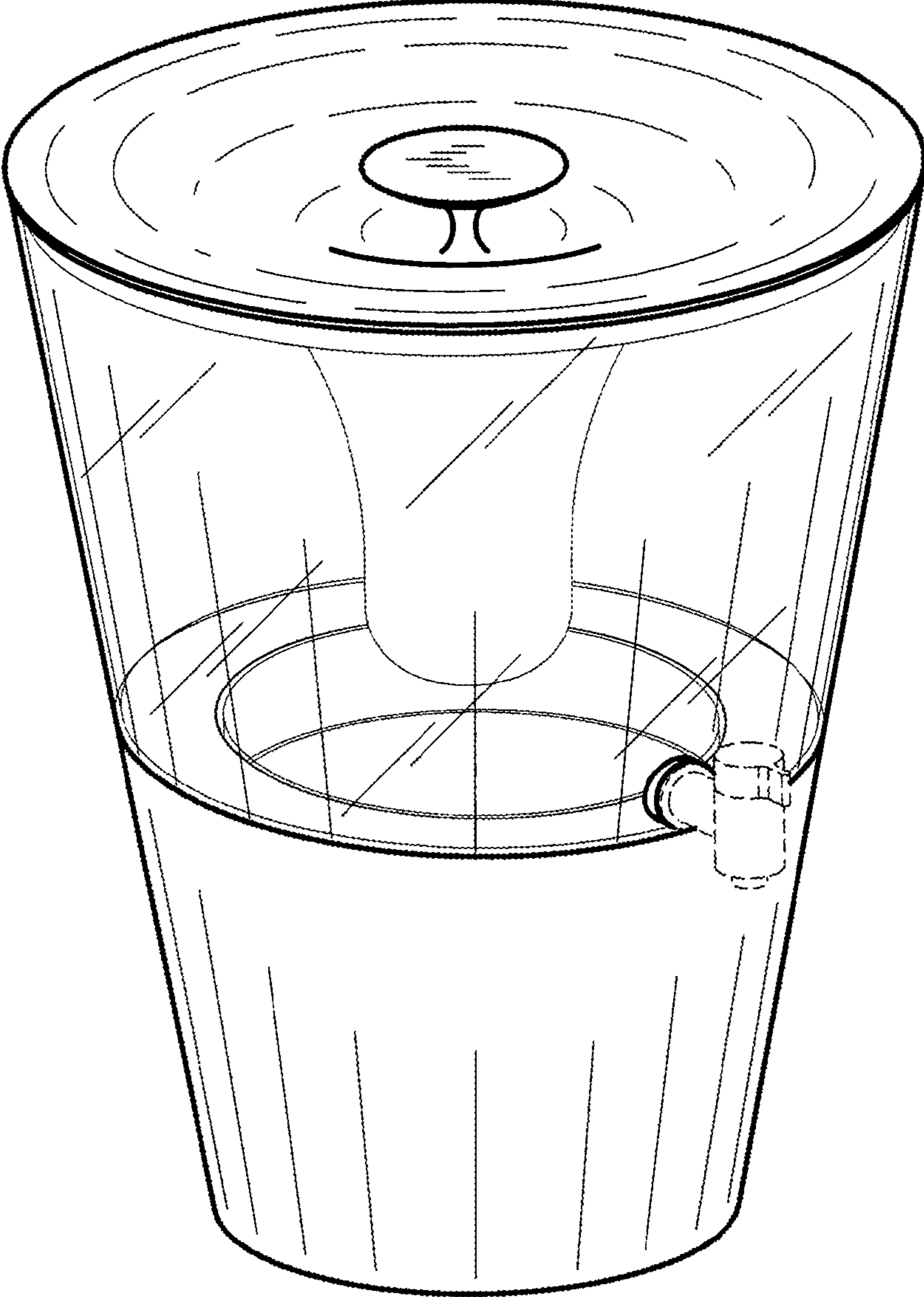


FIG. 1

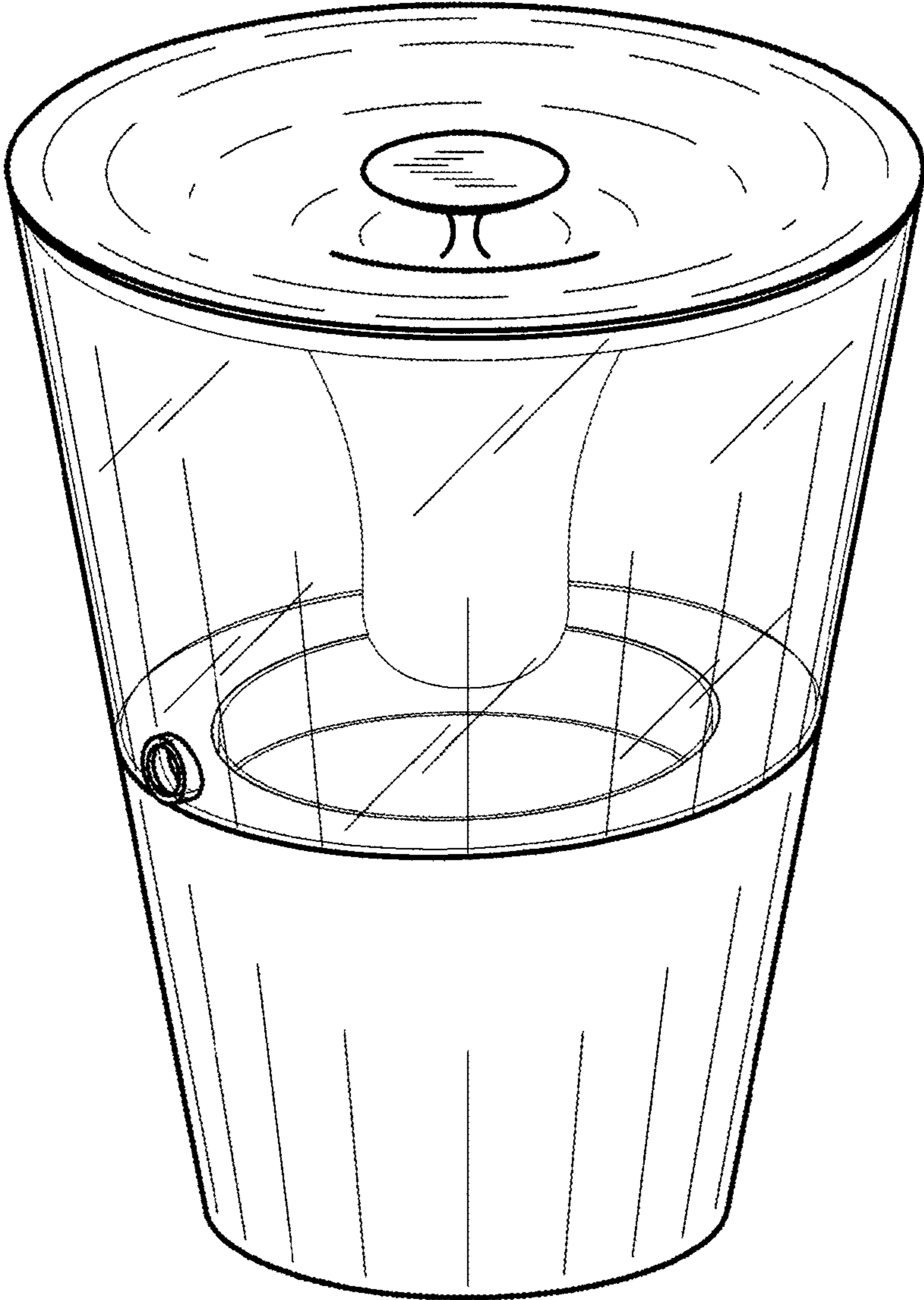


FIG. 2

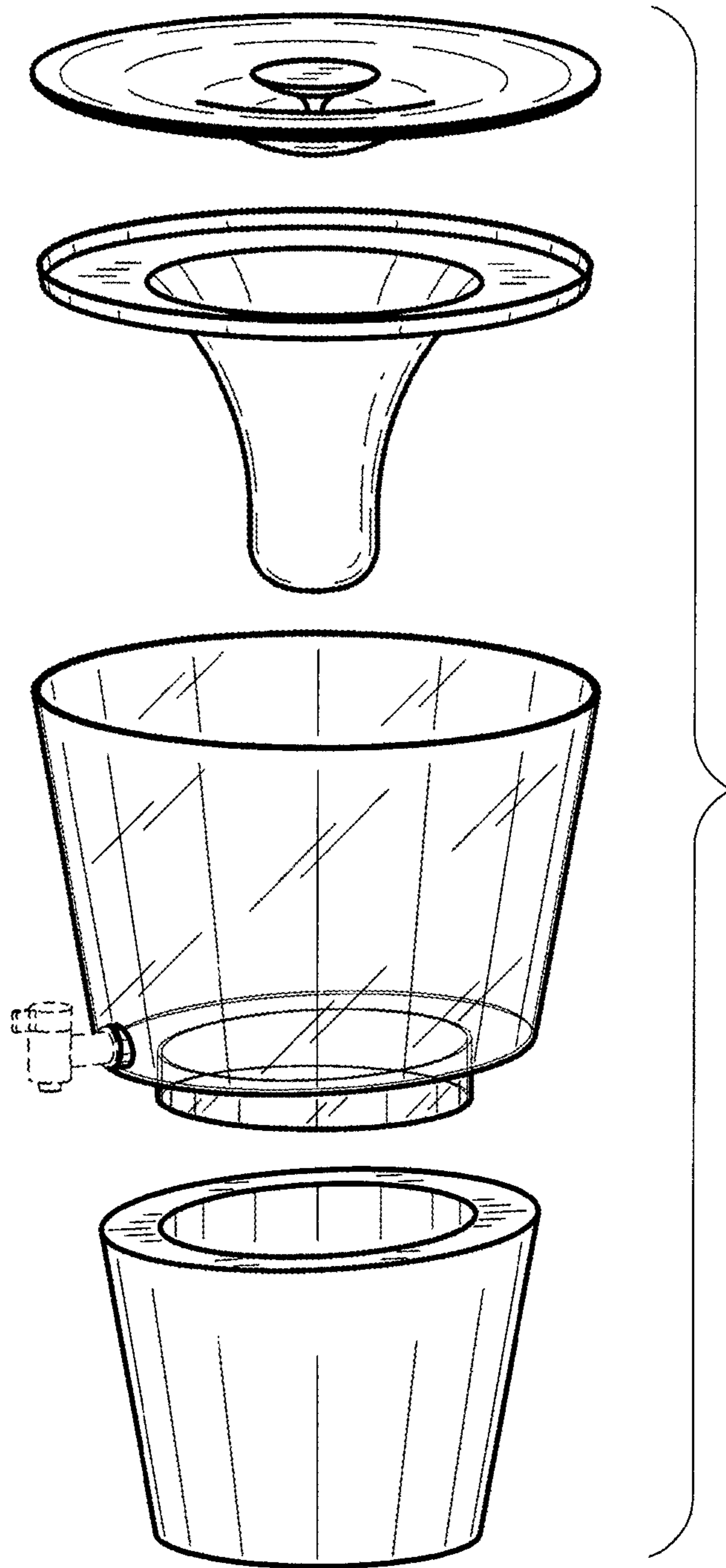


FIG. 3

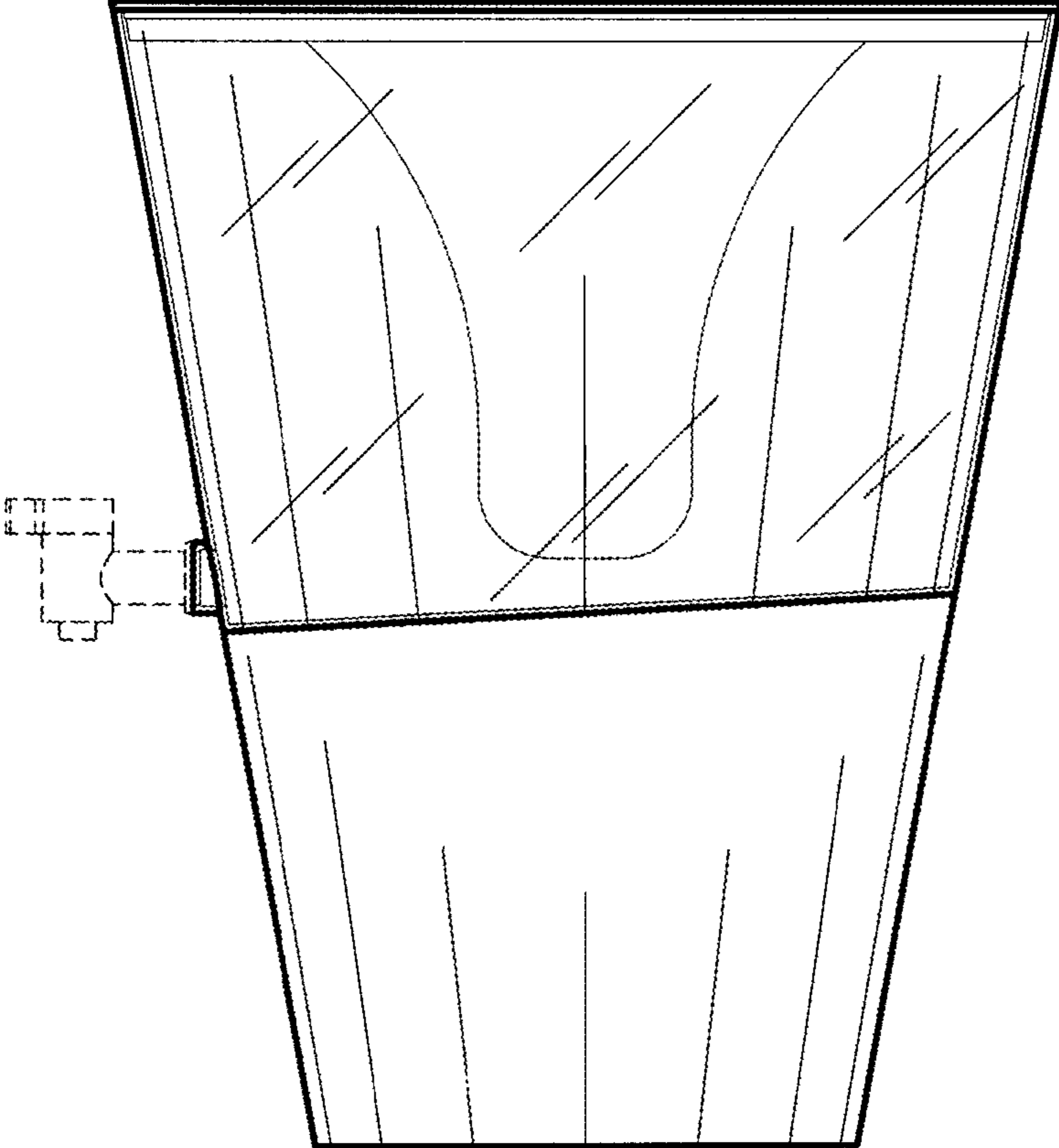


FIG. 4

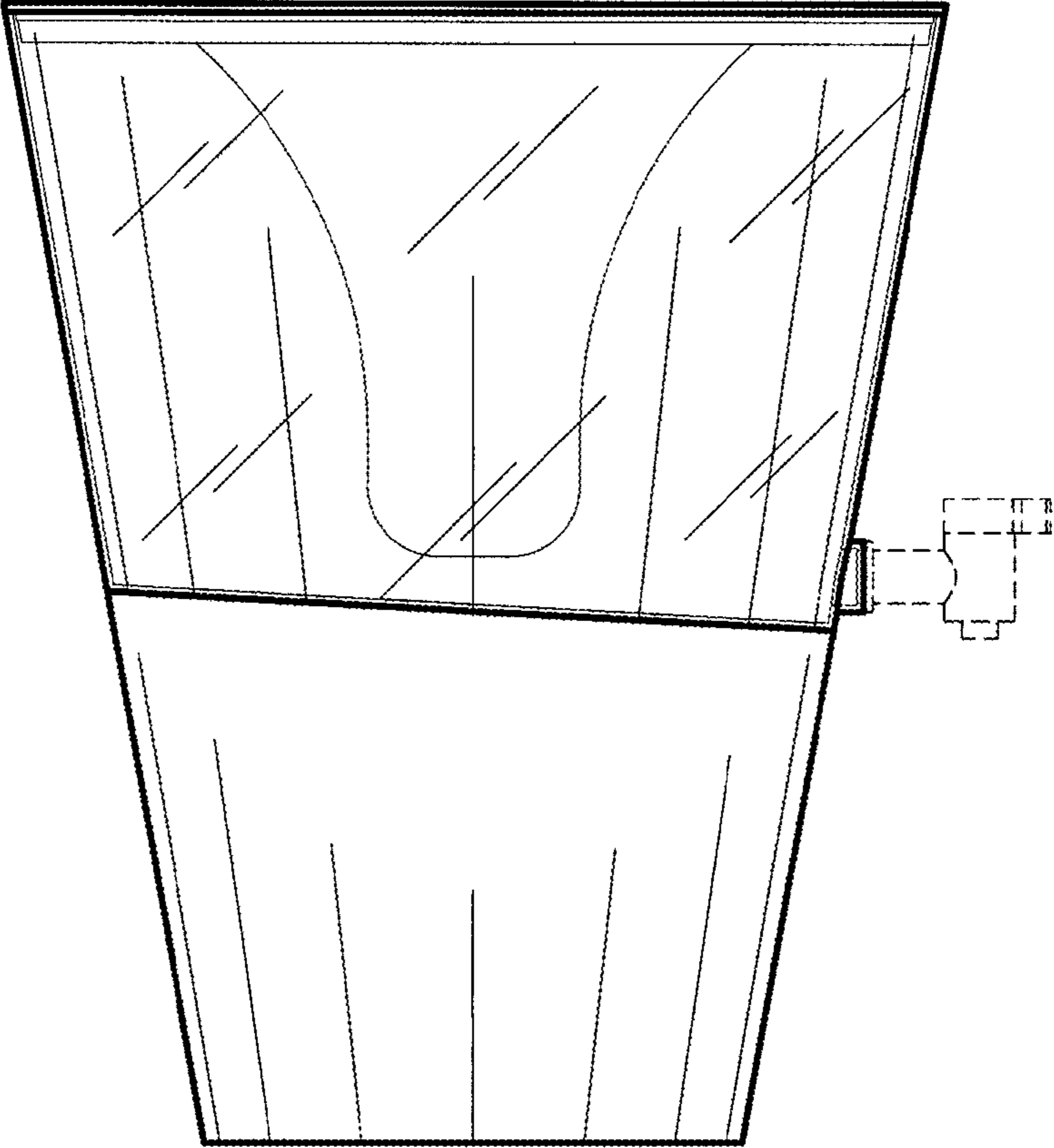


FIG. 5

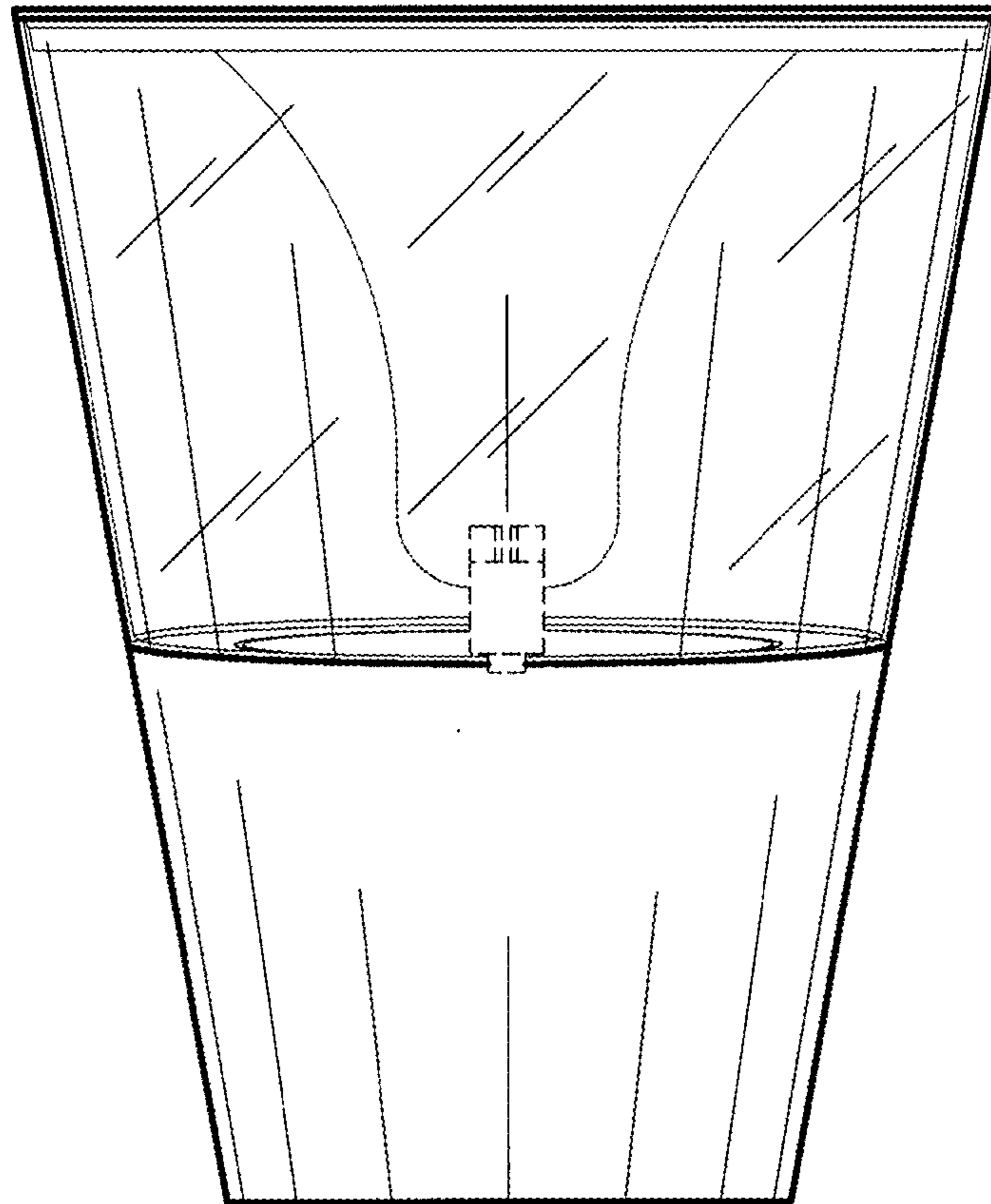


FIG. 6

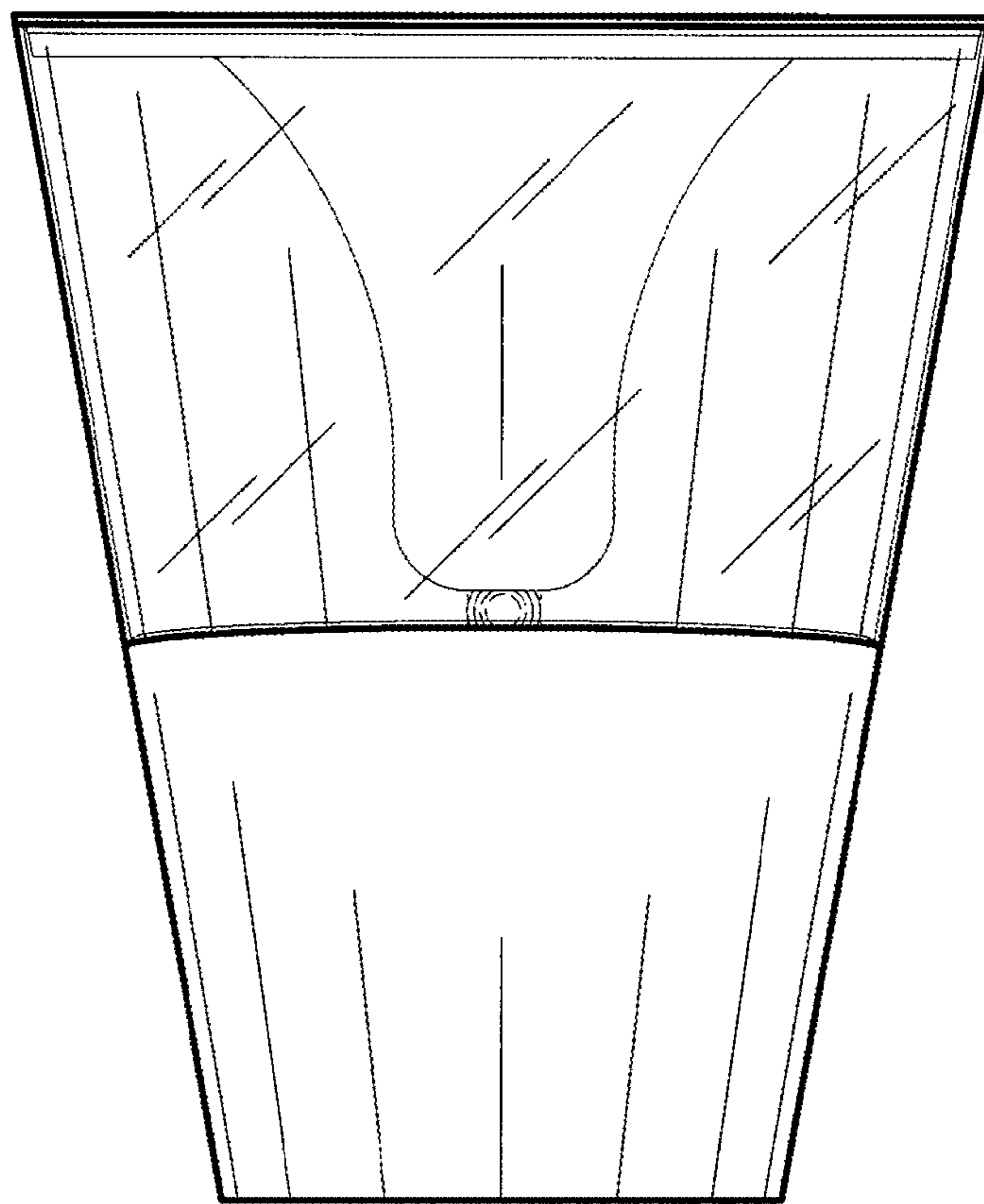


FIG. 7

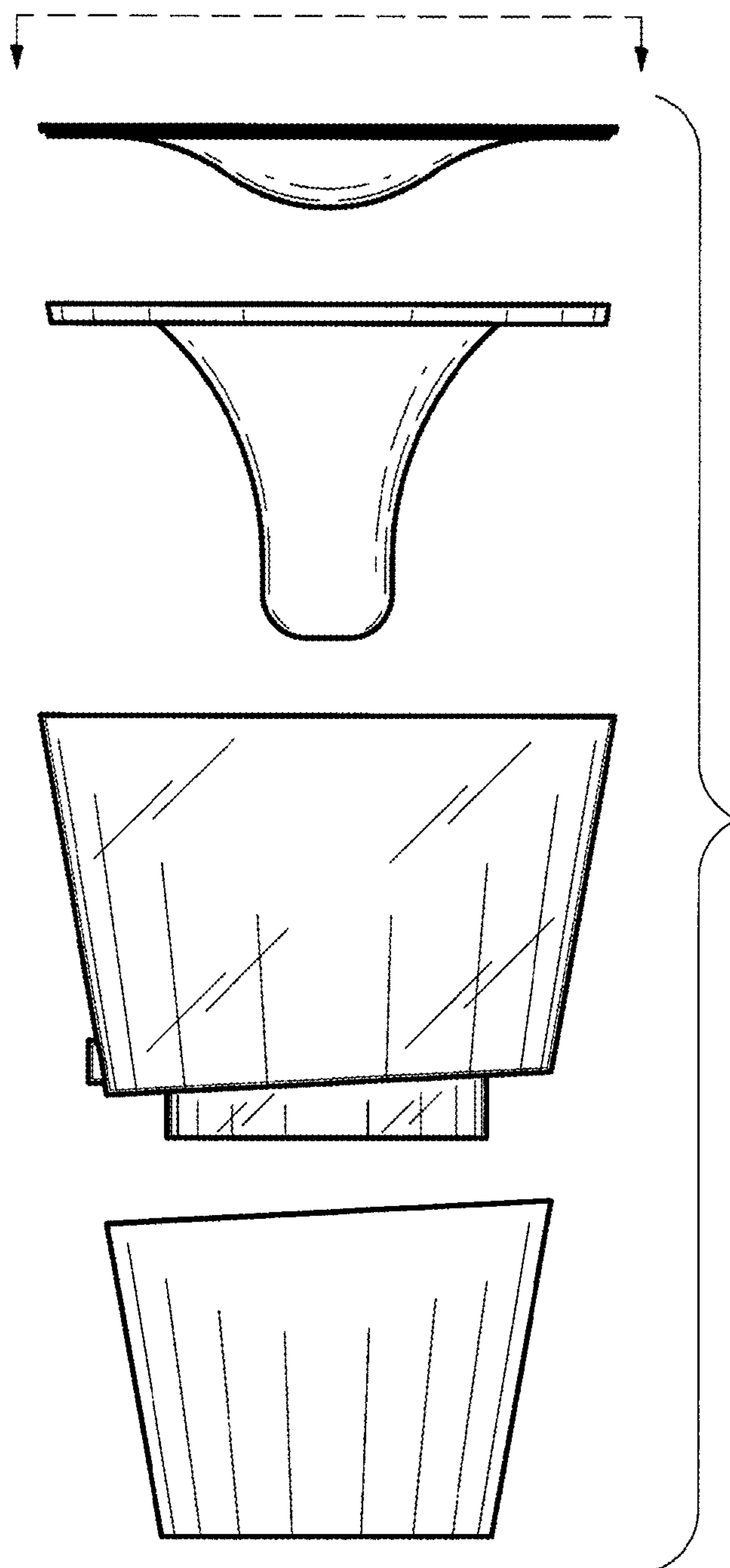


FIG. 8

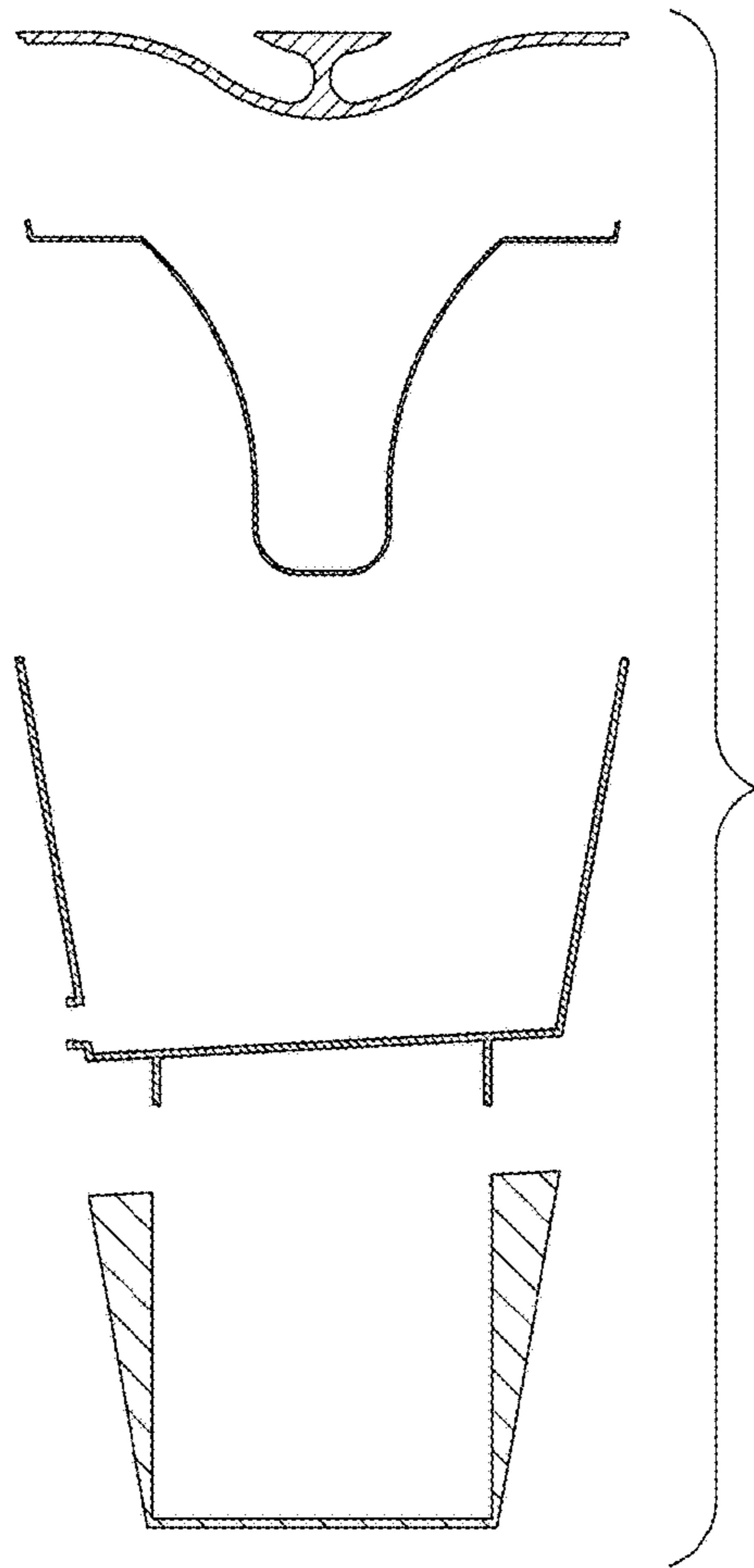


FIG. 9