



US00D805828S

(12) **United States Design Patent**
Merali et al.

(10) **Patent No.:** **US D805,828 S**

(45) **Date of Patent:** **** Dec. 26, 2017**

(54) **BEVERAGE DISPENSER**

(71) Applicant: **TBOT INC.**

(72) Inventors: **Rehman Merali**, Toronto (CA); **Brian Lee**, Toronto (CA); **Paul Giampuzzi**, Toronto (CA); **Colin Ho**, Toronto (CA); **Mina Mitry**, Mississauga (CA)

(73) Assignee: **TBOT INC.**, Toronto (CA)

(**) Term: **15 Years**

(21) Appl. No.: **29/537,856**

(22) Filed: **Aug. 28, 2015**

(51) **LOC (10) Cl.** **07-01**

(52) **U.S. Cl.**
USPC **D7/306**; D7/307; D7/300

(58) **Field of Classification Search**
USPC D7/300, 309-311, 306-308, 305, 312, D7/313, 355, 362, 365, 367, 397, 399; 222/146.6, 185.1, 135; 99/295, 273, 304, 99/288, 279, 307, 283; D20/4; D23/207
CPC A47J 31/46; A47J 31/407; A47J 31/50; A47J 31/18; A47J 31/00; A47J 27/04; A47J 31/0573; A47J 31/52
See application file for complete search history.

(56) **References Cited**

U.S. PATENT DOCUMENTS

677,751	A *	7/1901	Baron	A47J 31/401	222/129.4
861,093	A *	7/1907	Cordley	F16M 11/00	108/50.13
3,718,234	A *	2/1973	Bagguley	B65D 83/384	222/135
D288,516	S *	3/1987	Mortimer	D6/699.1	
5,351,861	A *	10/1994	Jovellana	B67D 3/043	222/144

5,890,629	A *	4/1999	Loew	B67D 3/0009	222/144
6,058,733	A *	5/2000	Morgan	B65D 81/3876	62/339
6,517,036	B1 *	2/2003	Ramirez, Jr.	B60R 9/00	248/146
D528,344	S *	9/2006	Mika	D7/307	
7,350,671	B2 *	4/2008	Mika	B67D 3/0009	222/129
D732,331	S *	6/2015	Tomasson	D7/306	
D735,515	S *	8/2015	Fusco	D7/306	
D752,374	S *	3/2016	Leyva	D7/306	
2012/0067921	A1 *	3/2012	Shippen	B67D 3/0025	222/144

(Continued)

Primary Examiner — Marianne Pandozzi

(74) *Attorney, Agent, or Firm* — Norton Rose Fulbright Canada LLP

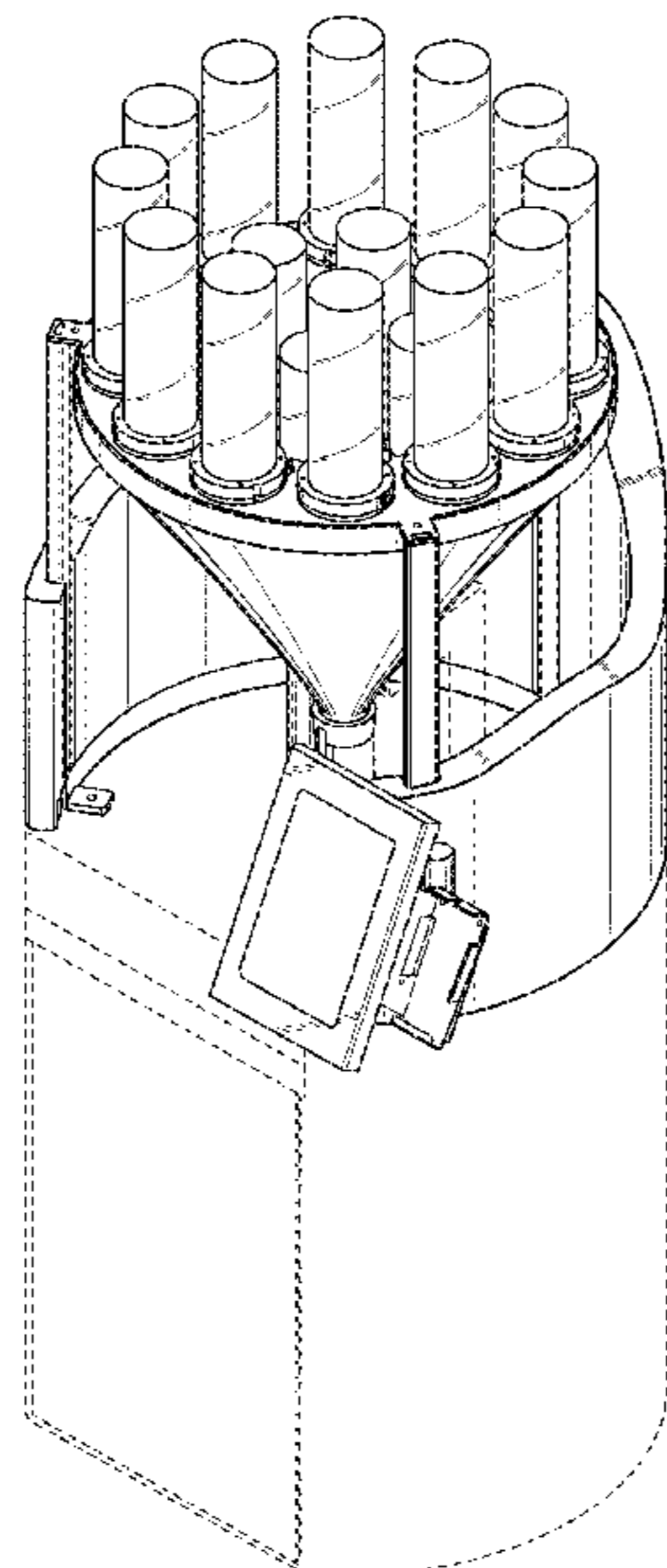
(57) **CLAIM**

The ornamental design for a beverage dispenser, as shown and described.

DESCRIPTION

FIG. 1 is a perspective view of a beverage dispenser showing the design;
 FIG. 2 is a front view of the beverage dispenser in FIG. 1,
 FIG. 3 is a rear view of the beverage dispenser in FIG. 1;
 FIG. 4 is a left side view of the beverage dispenser in FIG. 1;
 FIG. 5 is a right side view of the beverage dispenser in FIG. 1;
 FIG. 6 is a top plan view of the beverage dispenser in FIG. 1; and,
 FIG. 7 is a bottom plan view of the beverage dispenser in FIG. 1.
 The broken lines in the drawing depict portions of the beverage dispenser that form no part of the claimed design.

1 Claim, 7 Drawing Sheets



(56)

References Cited

U.S. PATENT DOCUMENTS

2015/0175309 A1* 6/2015 McGowan B65D 25/2882
224/191

* cited by examiner

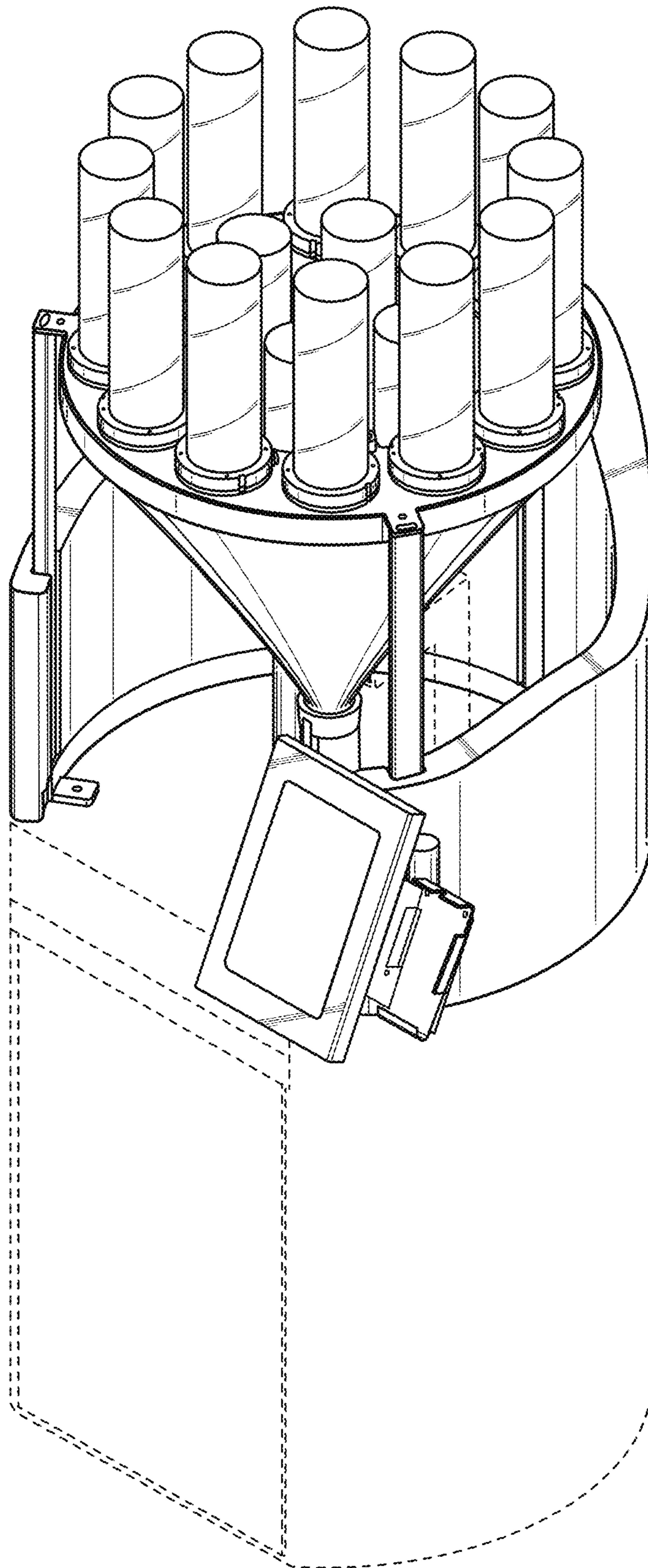


FIG. 1

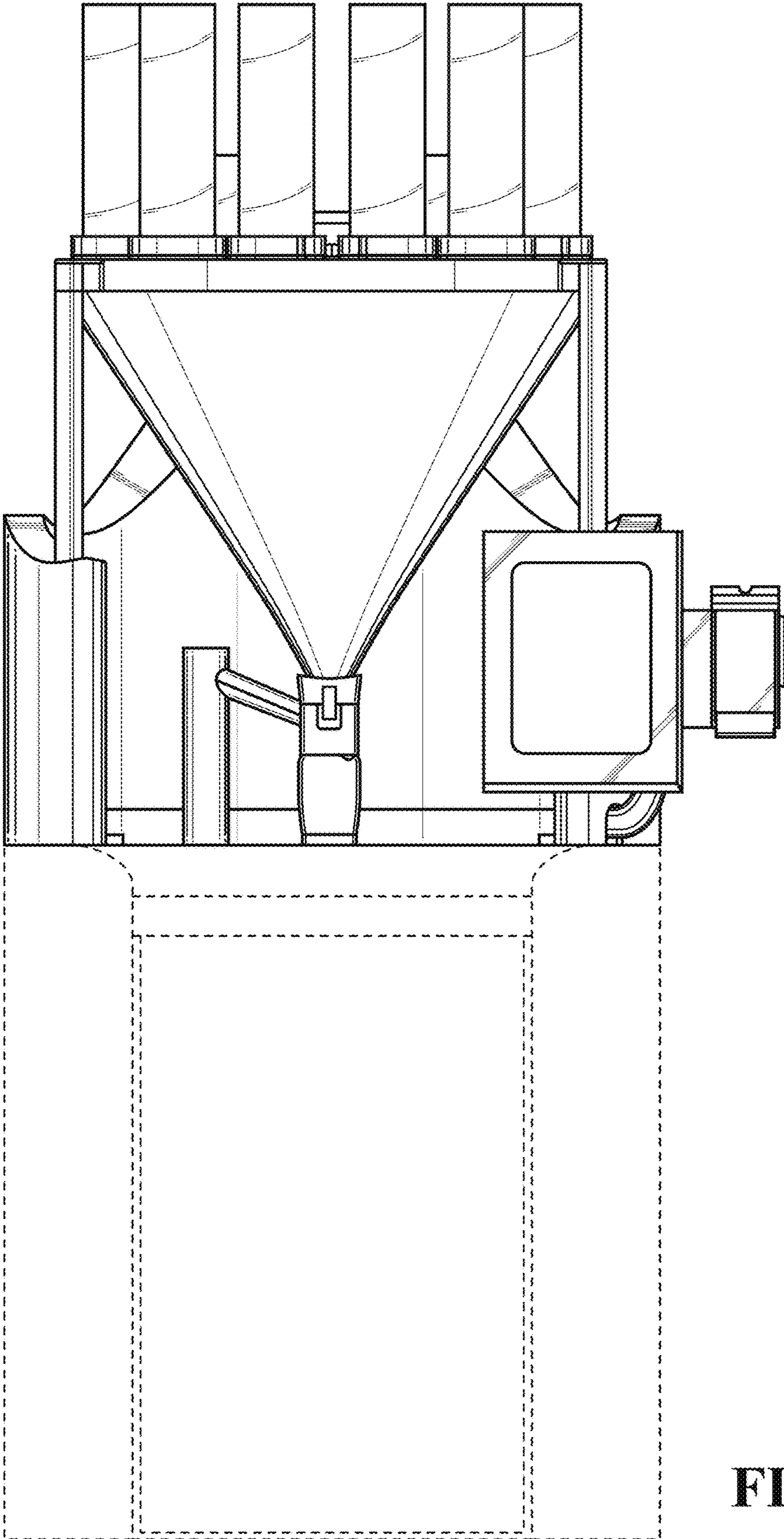


FIG. 2

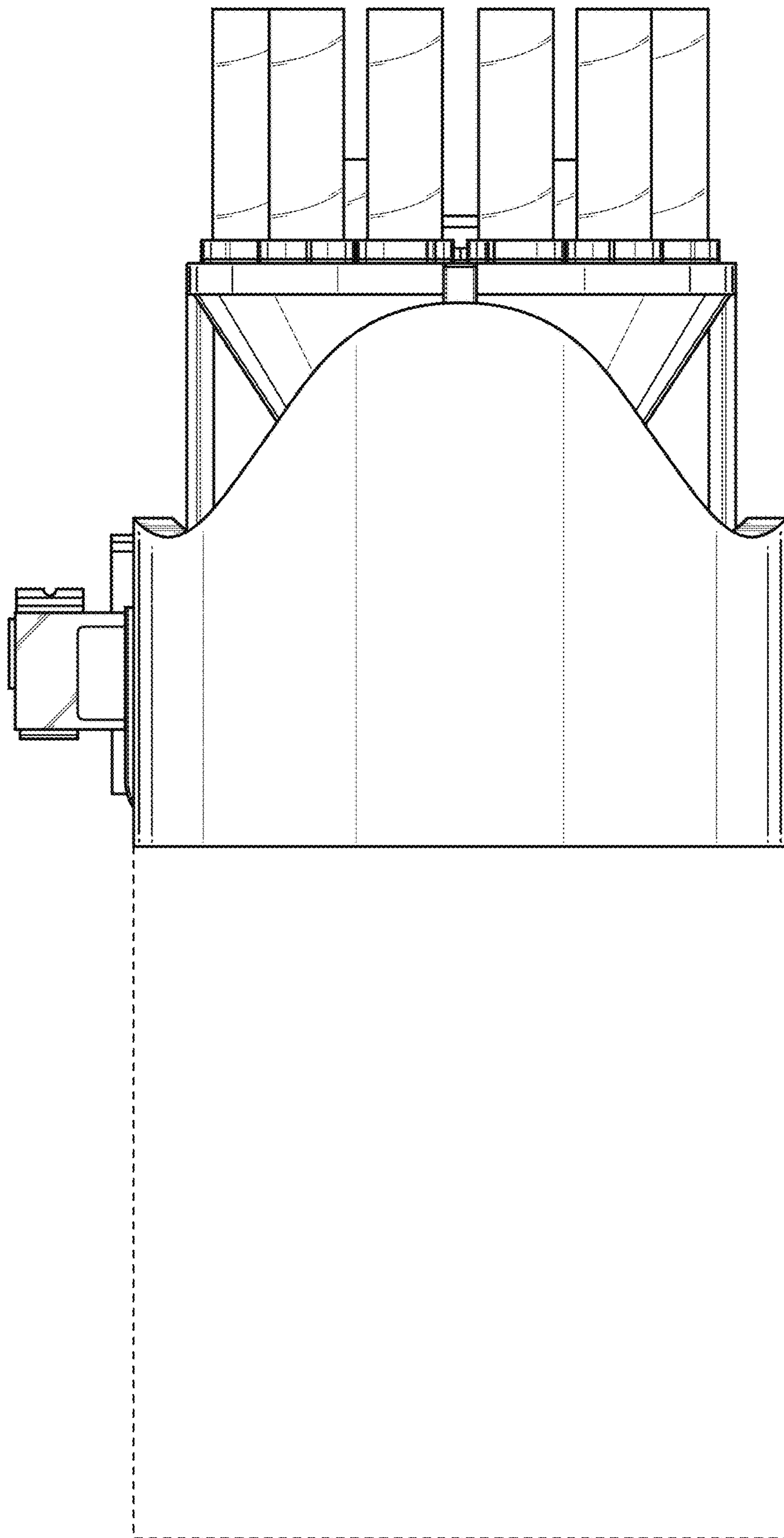


FIG. 3

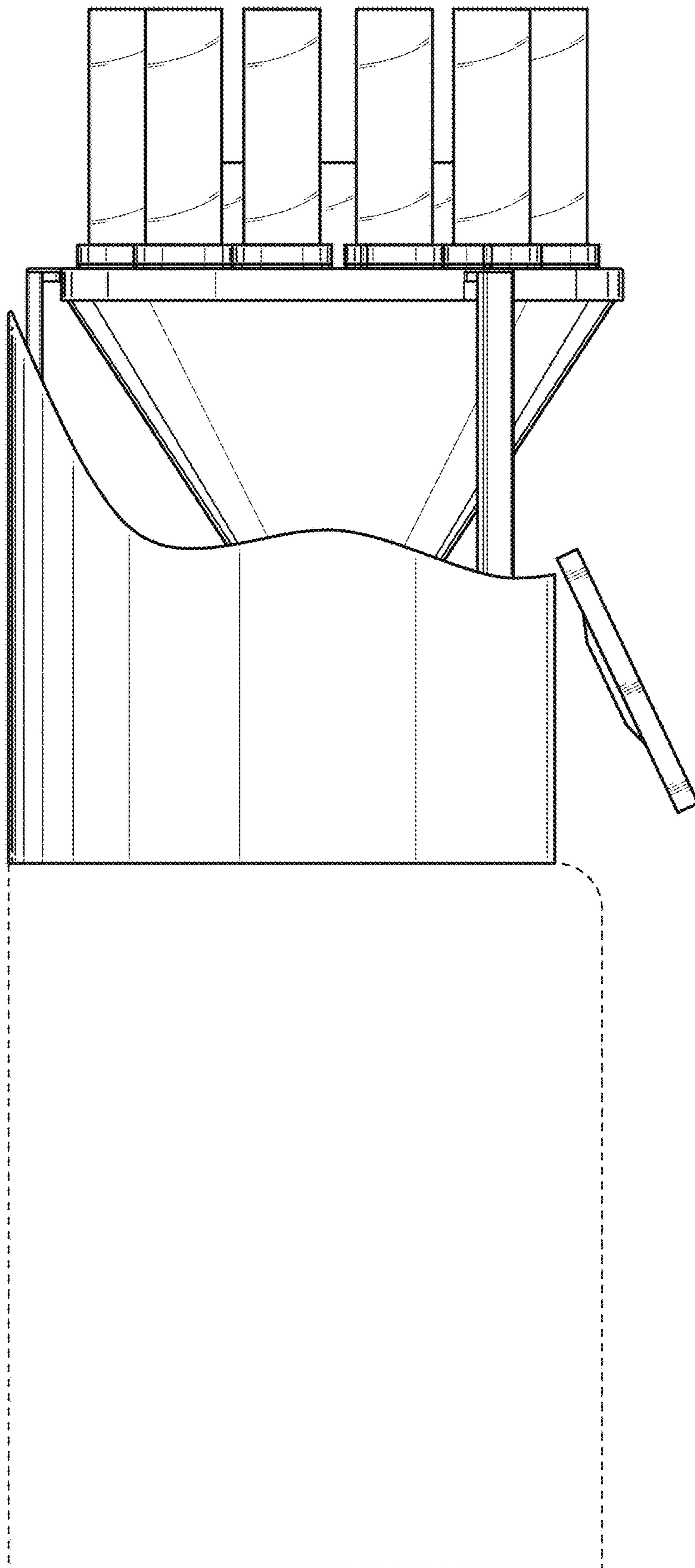


FIG. 4

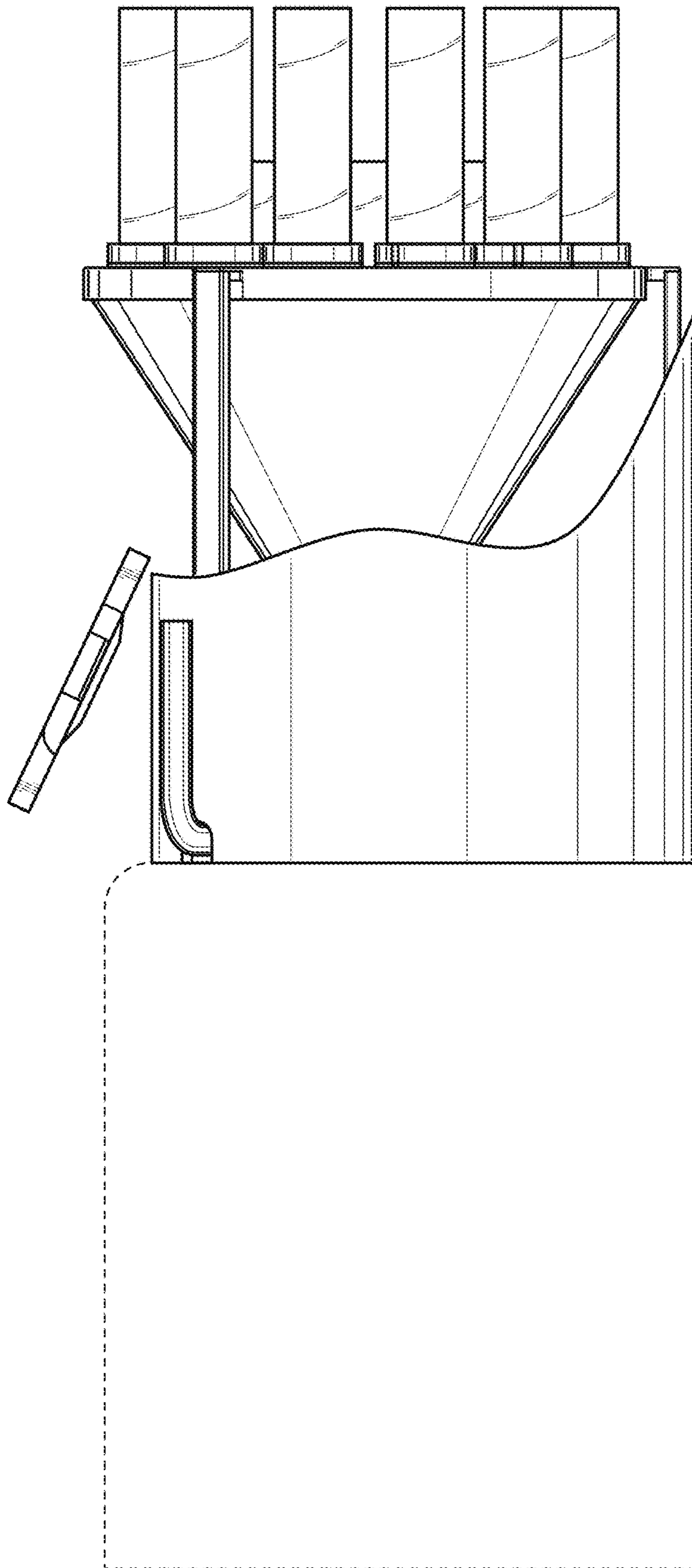


FIG. 5

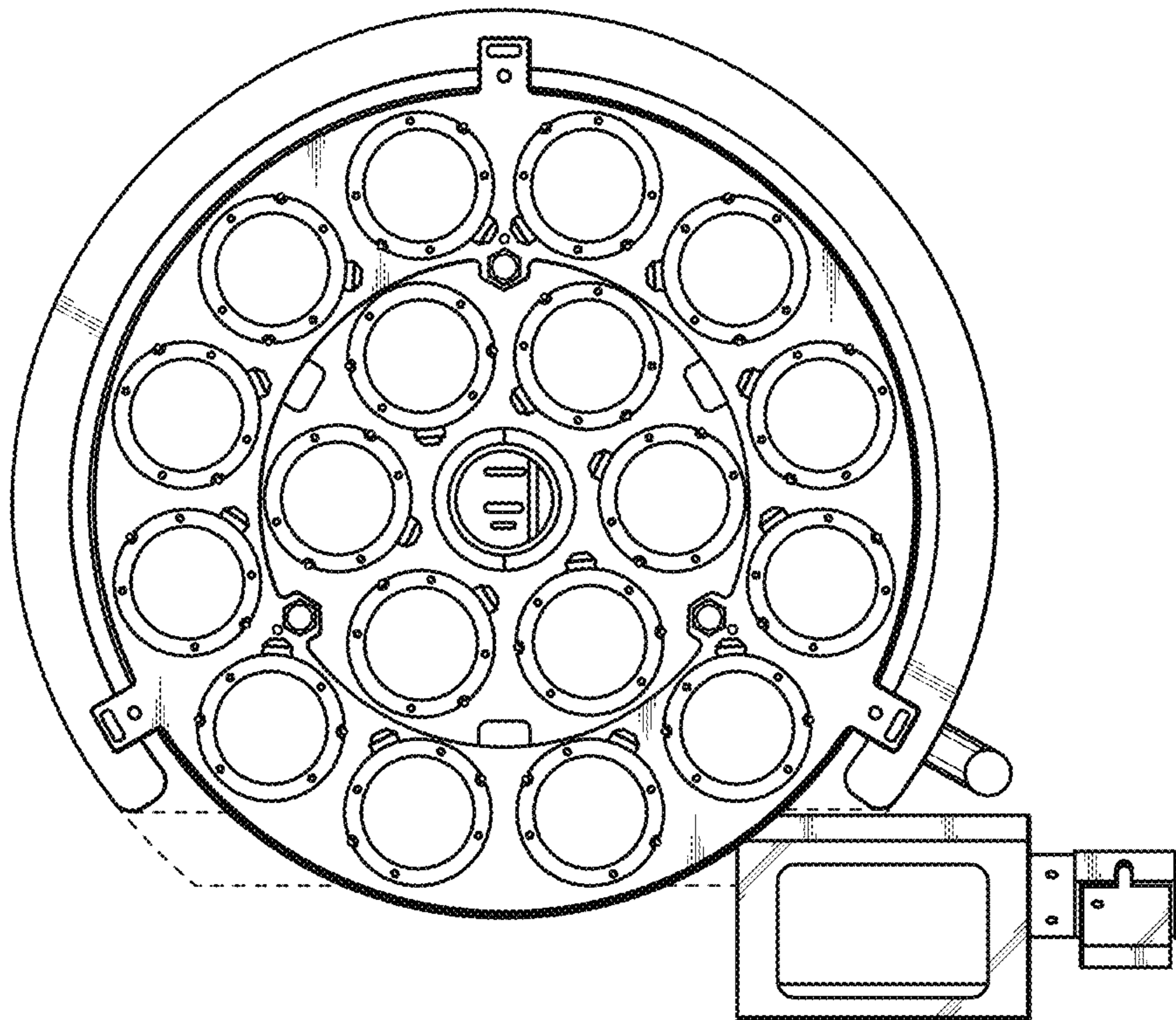


FIG. 6

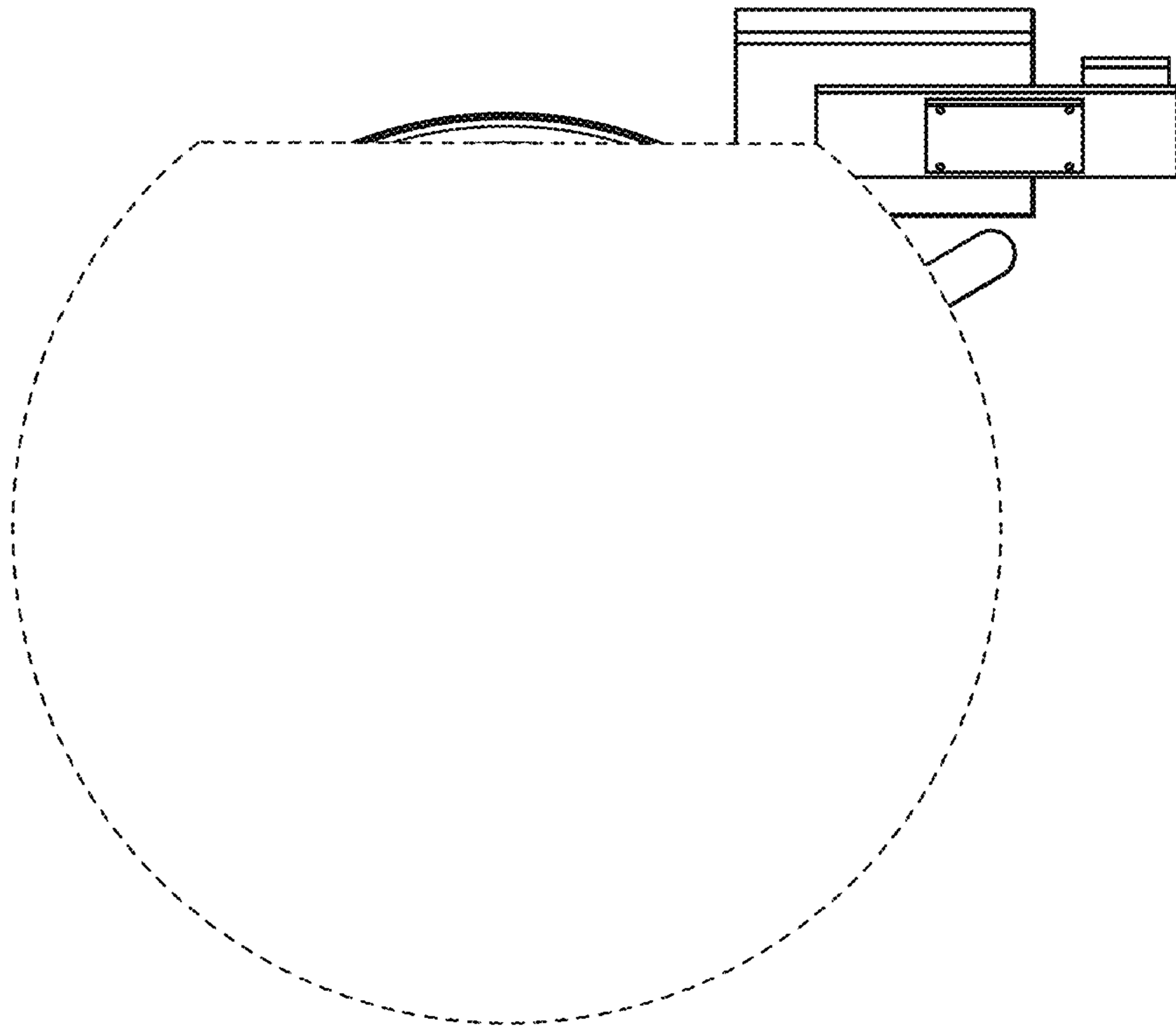


FIG. 7