



US00D805826S

(12) **United States Design Patent** (10) **Patent No.:** **US D805,826 S**  
**Fries et al.** (45) **Date of Patent:** **\*\* Dec. 26, 2017**

(54) **HAMMOCK**

(71) Applicant: **Plow & Hearth, LLC**, Madison, VA (US)

(72) Inventors: **Beverly Fries**, Barboursville, VA (US); **Ting Xu**, Richmond, VA (US); **David Yakos**, Bozeman, MT (US); **Kirk Turner**, Bozeman, MT (US)

(73) Assignee: **Plow & Hearth, LLC**, Madison, VA (US)

(\*\*) Term: **15 Years**

(21) Appl. No.: **29/575,814**

(22) Filed: **Aug. 29, 2016**

(51) **LOC (10) Cl.** ..... **06-06**

(52) **U.S. Cl.**  
USPC ..... **D6/718.1**

(58) **Field of Classification Search**  
USPC .... D6/385-387, 718.1, 718.11, 718.12, 603, D6/608

(Continued)

(56) **References Cited**

**U.S. PATENT DOCUMENTS**

269,881 A 1/1883 Reed  
666,798 A 1/1901 Brusseau

(Continued)

**FOREIGN PATENT DOCUMENTS**

CN 2250050 Y 3/1997  
CN 200950894 Y 9/2007

(Continued)

**OTHER PUBLICATIONS**

Hammock Suspension Kit for New Hangers [online], Sep. 27, 2013 [retrieved Jul. 27, 2016]. Retrieved from Internet <URL: http://

theultimatehang.com/2013/09/hammock-suspension-kit-new-hangers/>; 8pgs.

*Primary Examiner* — Cathron C Brooks

(74) *Attorney, Agent, or Firm* — Banner & Witcoff, Ltd.

(57) **CLAIM**

The ornamental design for a hammock, as shown and described.

**DESCRIPTION**

FIG. 1 is a perspective view of a hammock showing our new design;

FIG. 2 is an enlarged view of the claimed subject matter of FIG. 1 shown in isolation from the environment for clarity thereof;

FIG. 3 is a top view thereof;

FIG. 4 is a perspective view of the hammock of FIG. 1 shown in a broken line environment of a stand thereof;

FIG. 5 is an enlarged view of the claimed subject matter of FIG. 3 shown in isolation from the environment for clarity;

FIG. 6 is a perspective view of an alternative embodiment of a hammock showing our new design;

FIG. 7 is an enlarged view of the claimed subject matter of FIG. 6 shown in isolation from the environment for clarity thereof;

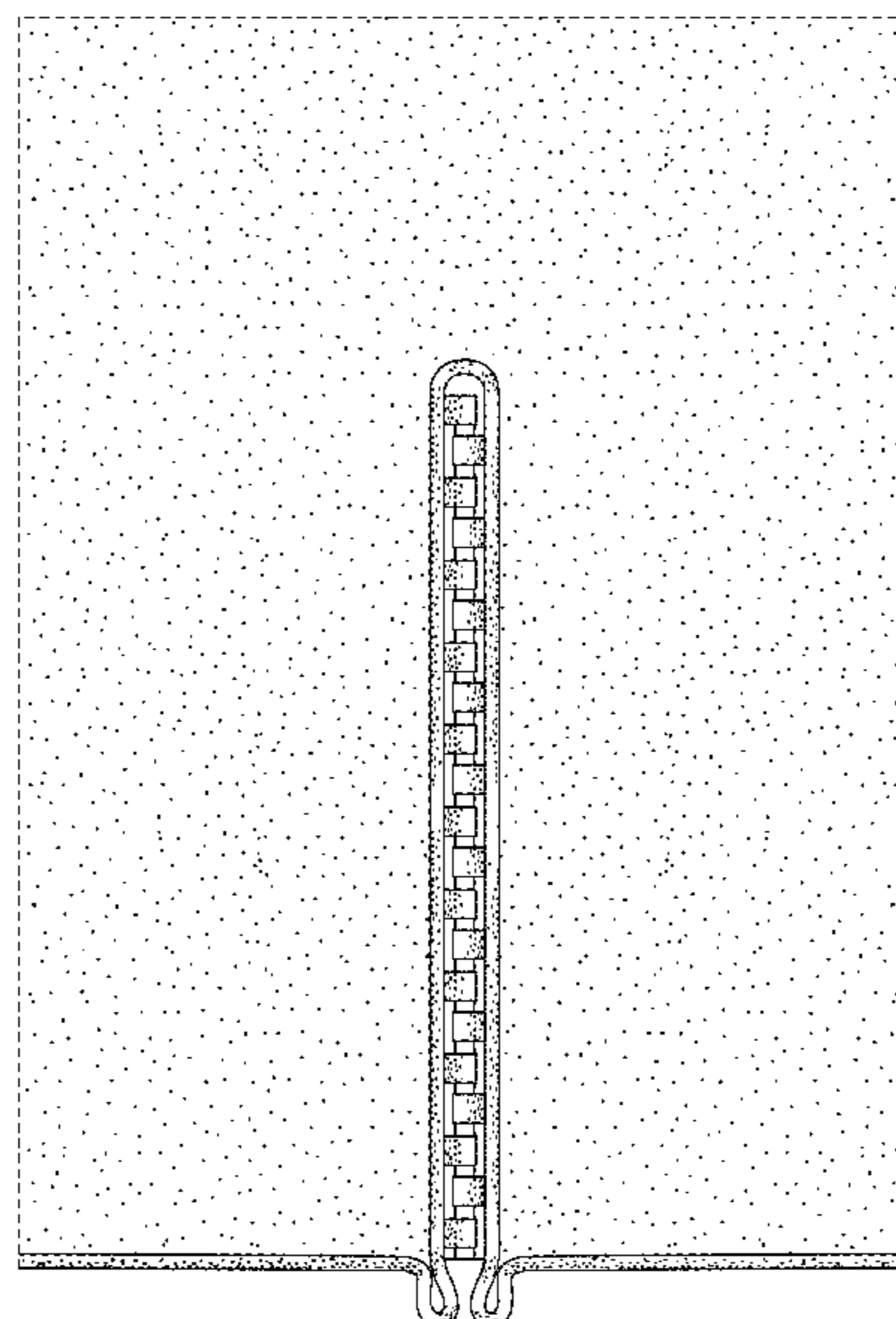
FIG. 8 is a top view thereof;

FIG. 9 is a perspective view of the hammock of FIG. 6 shown in a broken line environment of a stand; and,

FIG. 10 is an enlarged view of the claimed subject matter of FIG. 8 shown in isolation from the environment for clarity.

The broken lines immediately adjacent the shaded areas represent a boundary of the claimed design. The remaining broken lines illustrate portions of the hammock, and a hammock stand, which is the environment of the hammock. None of the broken lines form part of the claimed design.

**1 Claim, 10 Drawing Sheets**



(58) **Field of Classification Search**  
 CPC ..... A45F 3/22; A45F 3/24; A45F 3/26  
 See application file for complete search history.

(56) **References Cited**

U.S. PATENT DOCUMENTS

933,921	A	9/1909	Patterson	
D40,797	S *	7/1910	Hohlfeld	..... D6/387
1,566,044	A	12/1925	Sisbower	
2,450,689	A	10/1948	Richmond	
2,581,623	A	1/1952	Benjamin	
3,315,281	A	4/1967	Morris	
3,321,780	A	5/1967	Morris	
D274,390	S *	6/1984	Shakas	..... 5/120
5,035,012	A	7/1991	Westrich	
5,113,538	A	5/1992	Branch, III	
5,659,906	A	8/1997	Nickell et al.	
5,913,772	A	6/1999	Clark	
6,701,549	B1	3/2004	Eriksen	
6,912,744	B2	7/2005	Lyons	
7,159,254	B1	1/2007	Voorting	

D539,069	S *	3/2007	Hamburg	..... D6/608
D634,149	S *	3/2011	St. James	..... D6/608
D657,179	S *	4/2012	Cupples	..... D6/603
D684,797	S *	6/2013	Rohwer	..... D6/603
D702,072	S *	4/2014	Neff	..... D6/595
8,936,034	B2	1/2015	Rhett, Jr.	
9,003,579	B1	4/2015	Pinholster, Jr. et al.	
9,072,367	B2	7/2015	Kramer	
D764,203	S *	8/2016	Fang	..... D6/387
2008/0078024	A1	4/2008	Weir	
2013/0117931	A1	5/2013	Lemmens	
2014/0196209	A1	7/2014	MacAskill	
2014/0338123	A1	11/2014	Weindel	
2016/0106200	A1	4/2016	Brinkley et al.	
2016/0309911	A1 *	10/2016	Dollar	..... A47D 7/04

FOREIGN PATENT DOCUMENTS

CN	202950324	U	5/2013
DE	102012001227	A1	7/2013
GB	2481279	A	12/2011
NO	2006081607	A1	8/2006

\* cited by examiner

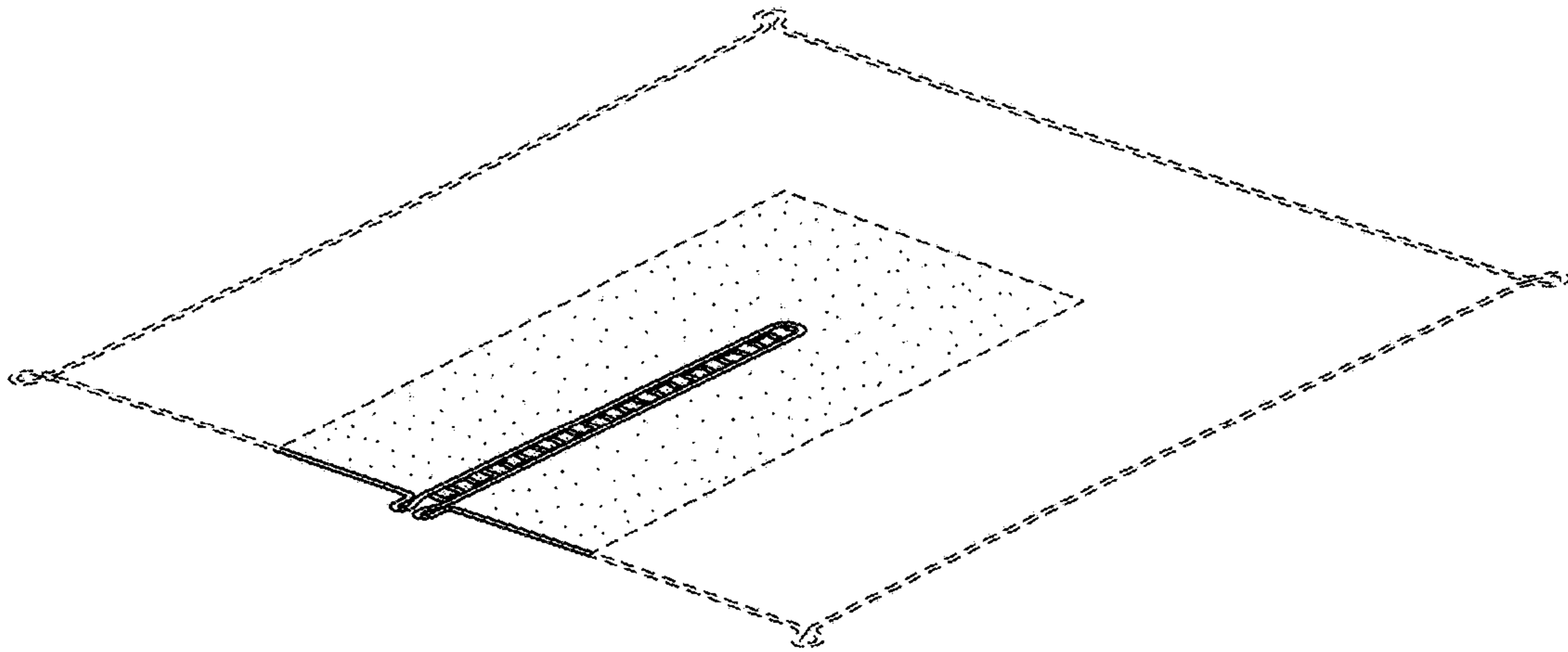


FIG. 1

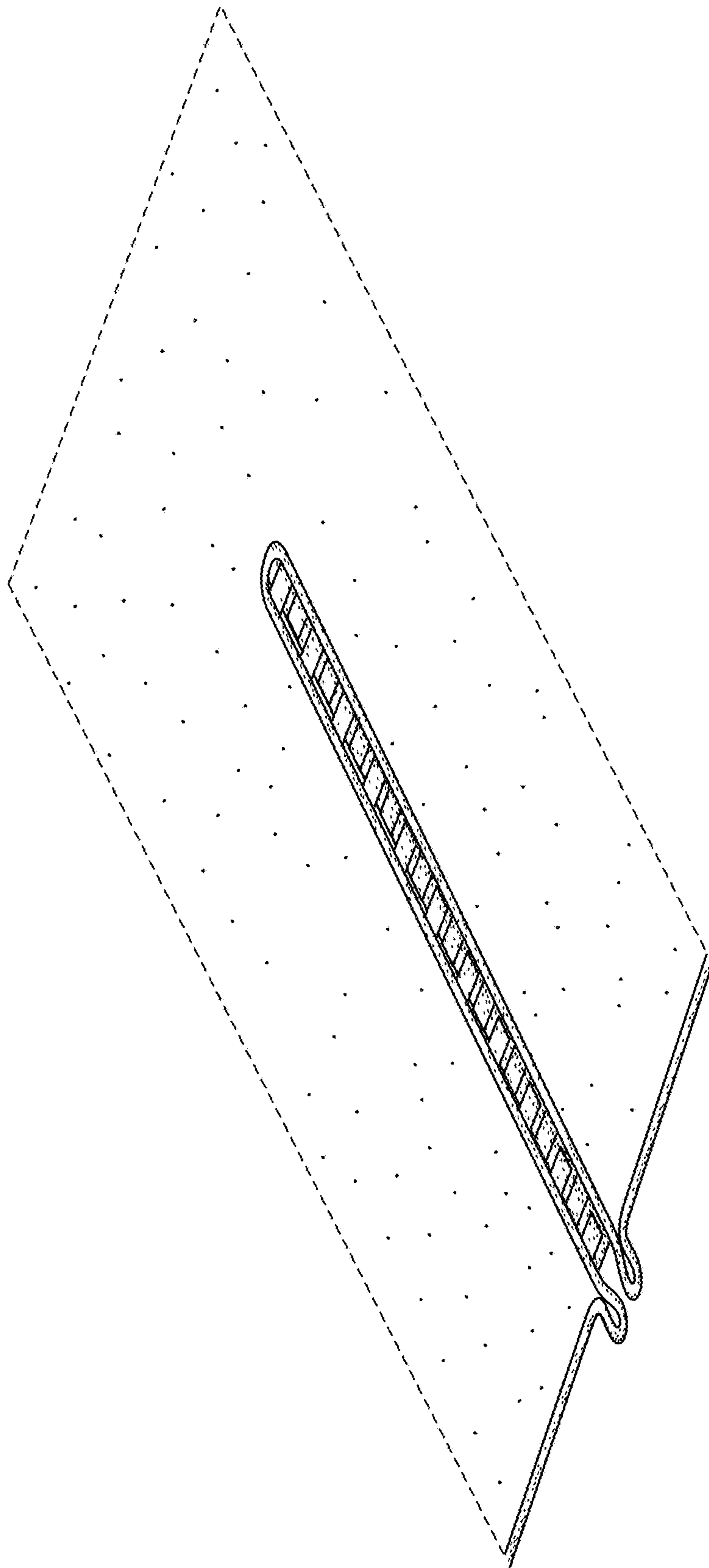


FIG. 2

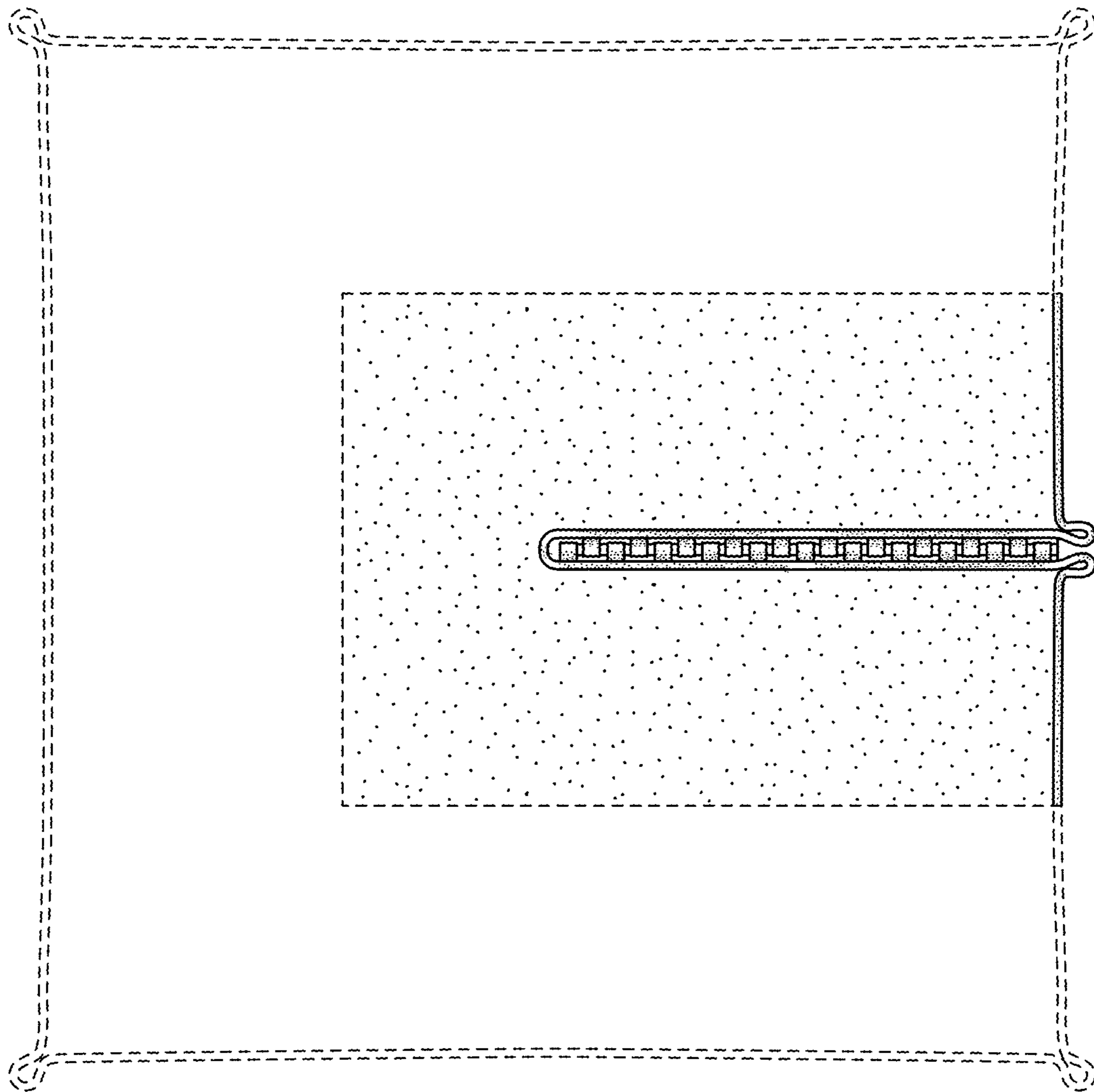


FIG. 3

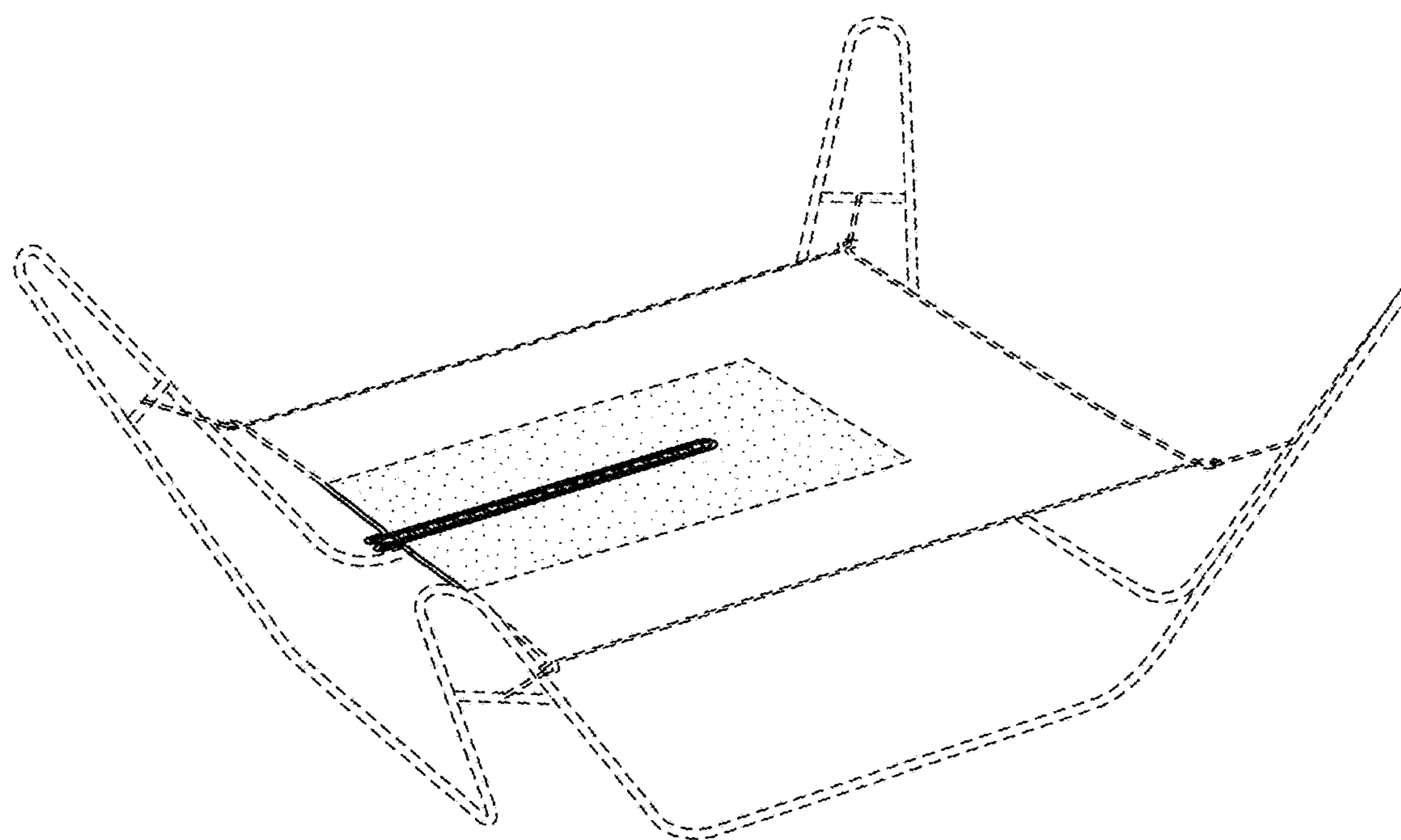


FIG. 4

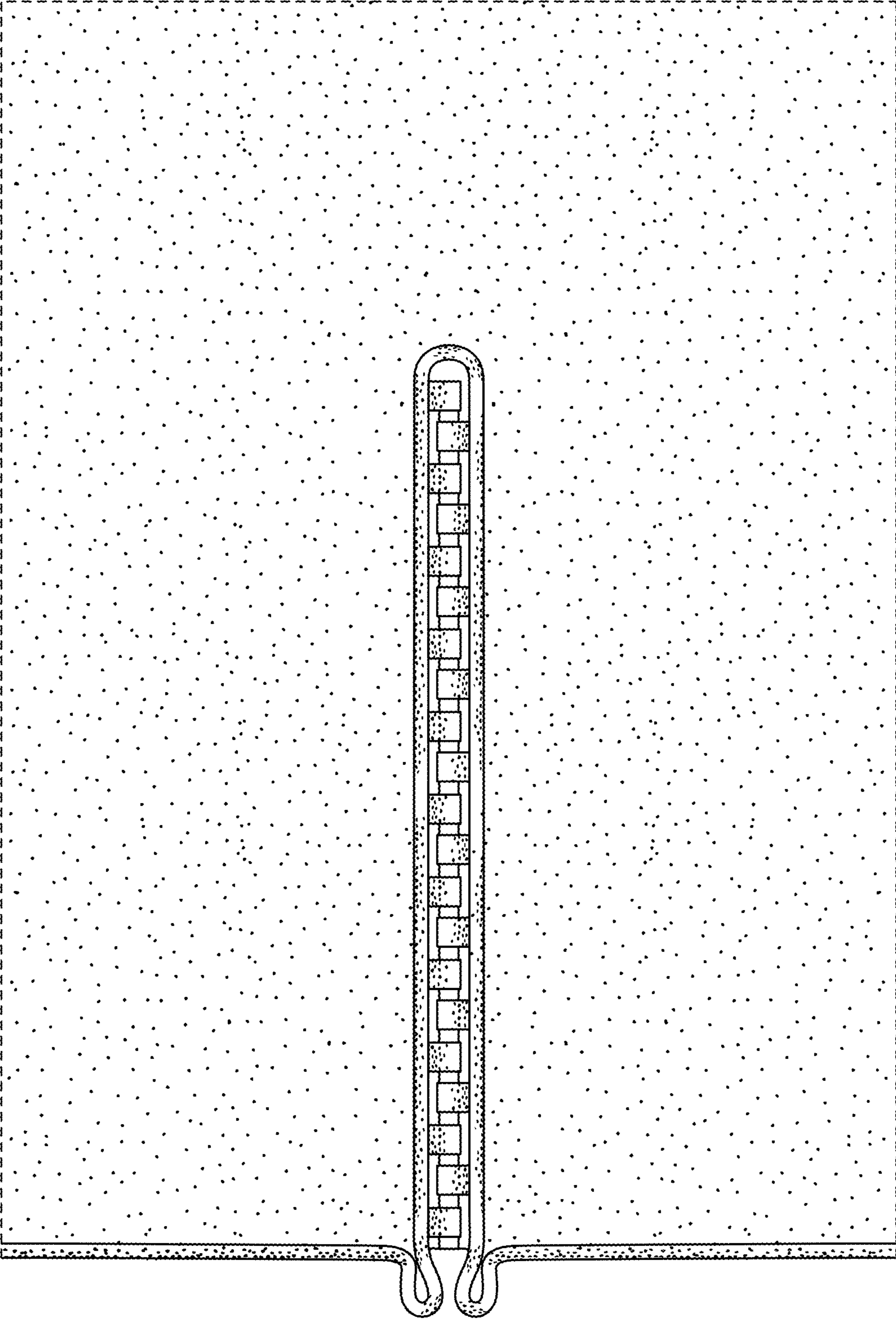


FIG. 5

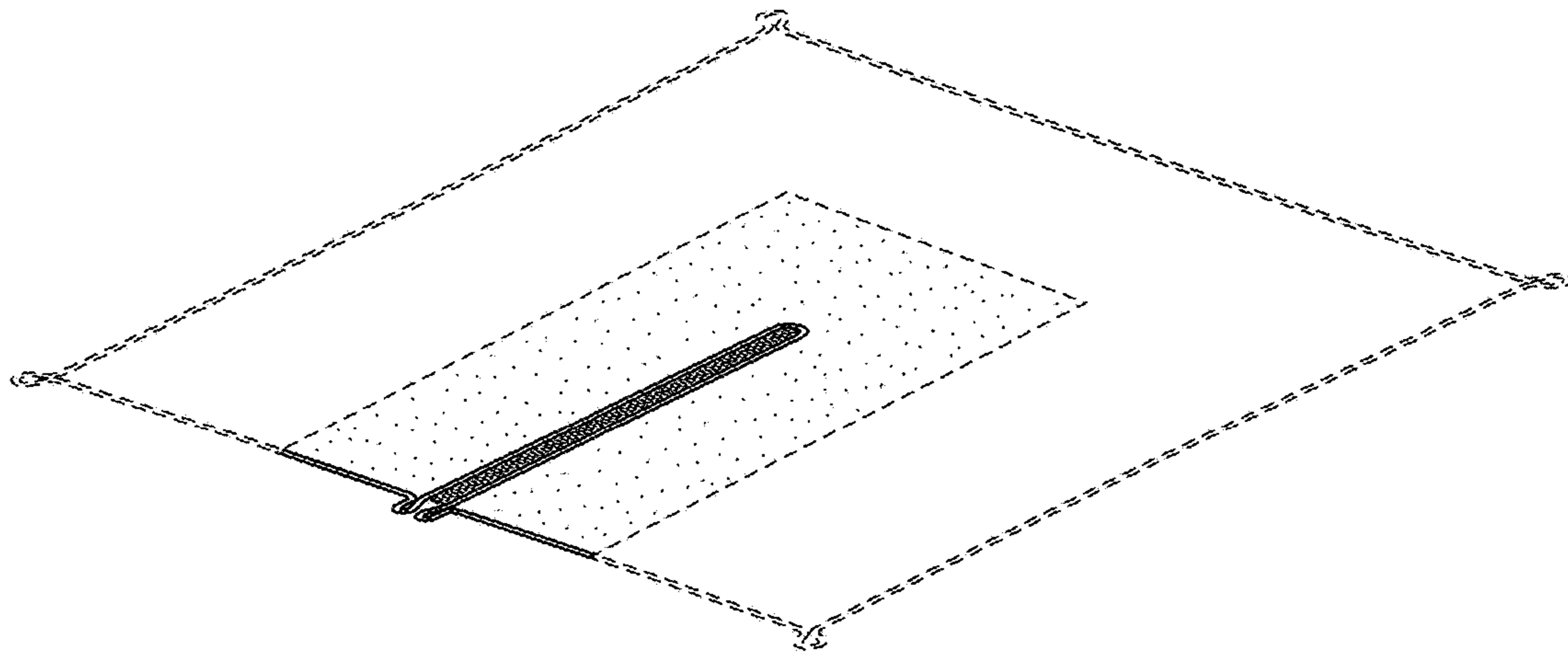


FIG. 6



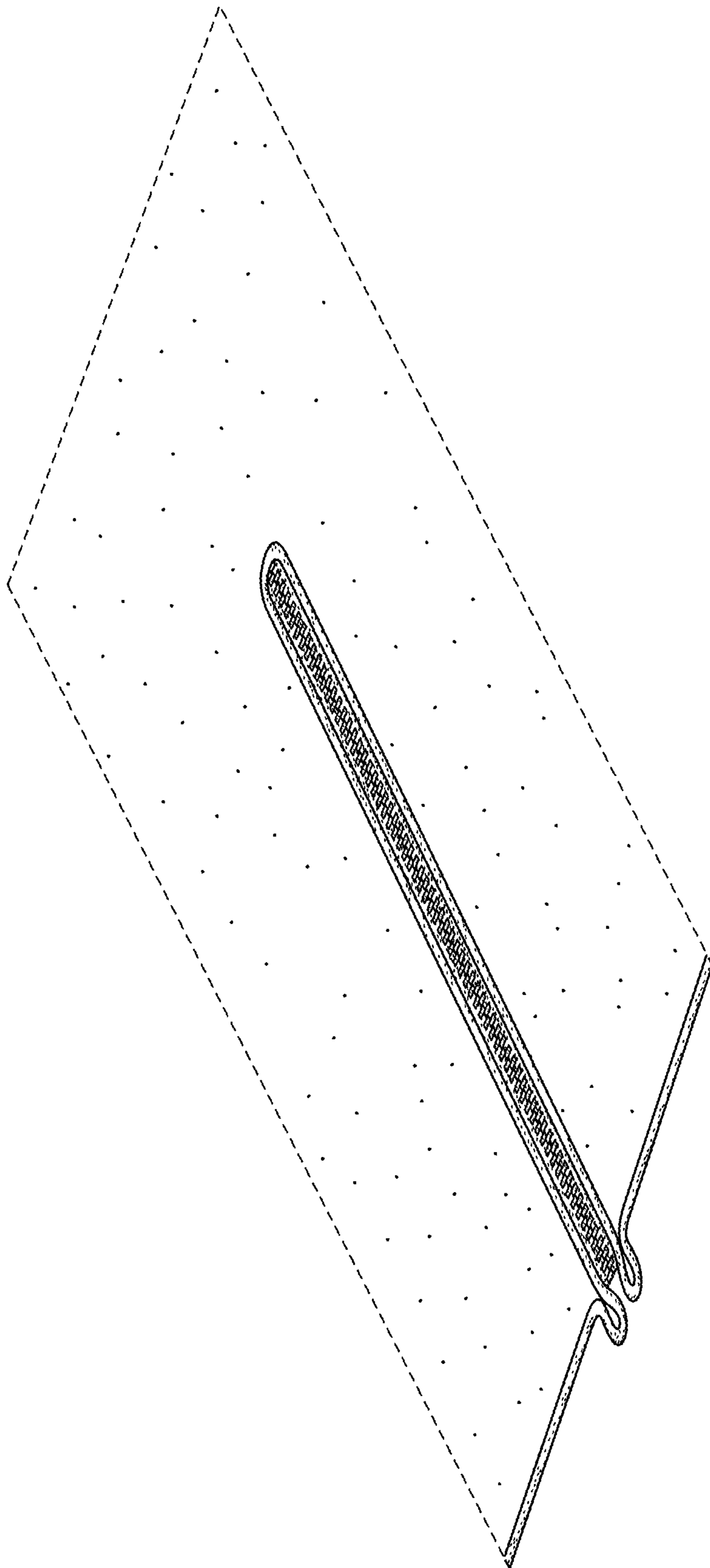


FIG. 7

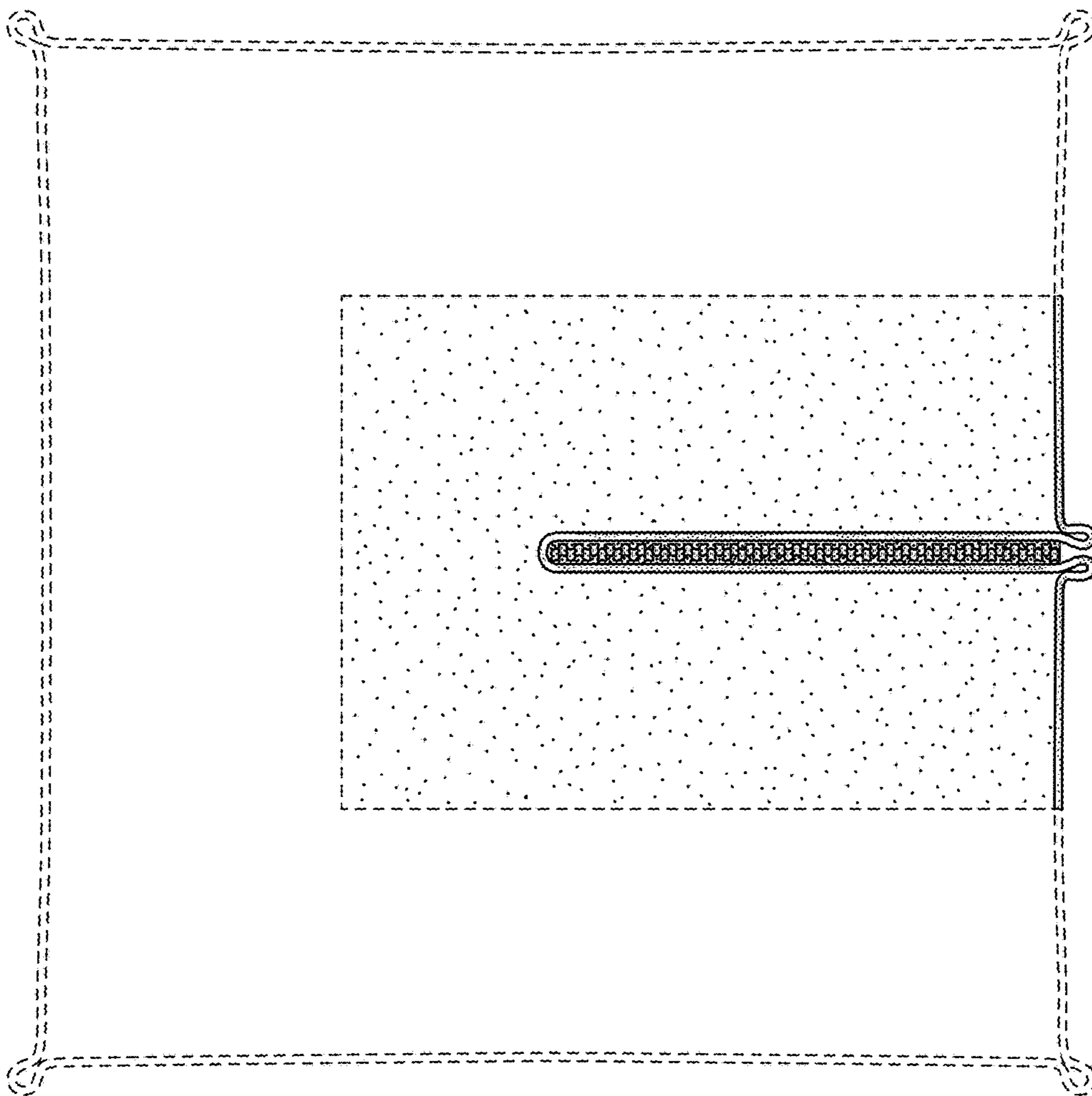


FIG. 8

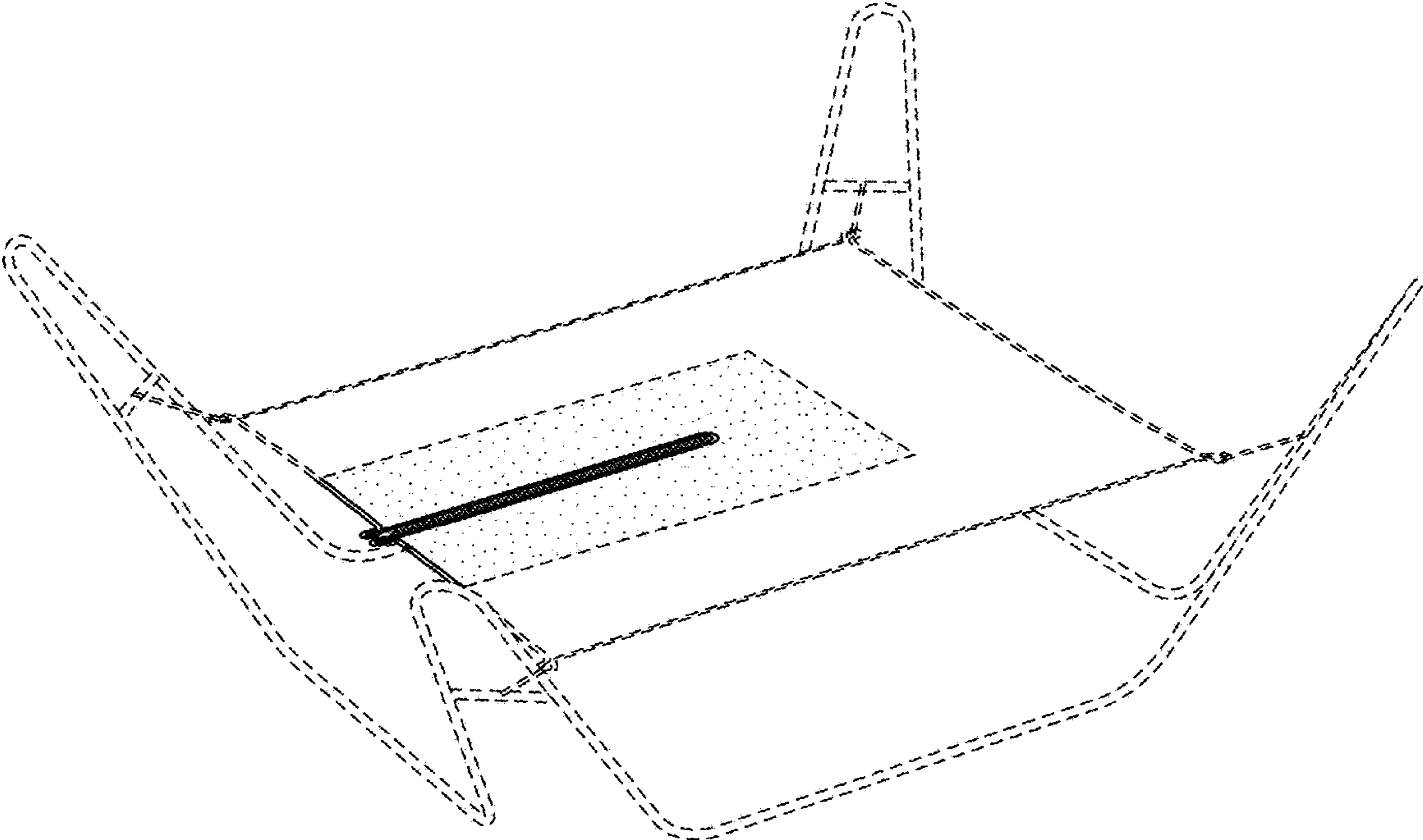


FIG. 9

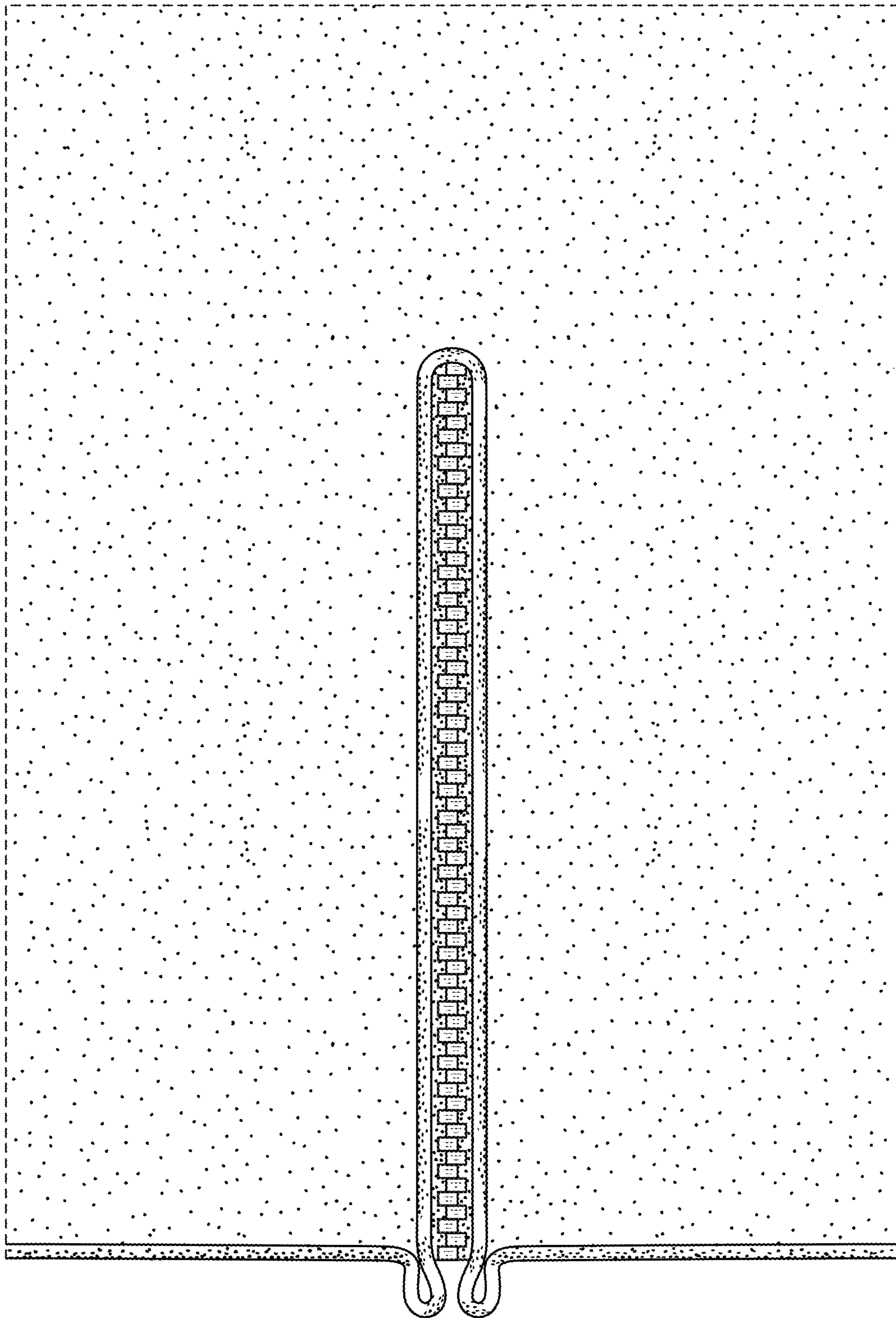


FIG. 10