



US00D805825S

(12) **United States Design Patent**  
**Oliphant et al.**

(10) **Patent No.:** **US D805,825 S**

(45) **Date of Patent:** **\*\* Dec. 26, 2017**

- (54) **SEAT FOR A FOLDING CHAIR**
- (71) Applicant: **Denovo Brands, LLC**, Bentonville, AR (US)
- (72) Inventors: **John M. Oliphant**, Bentonville, AR (US); **Stephen C. Perry**, Bentonville, AR (US)
- (73) Assignee: **Denovo Brands, LLC**, Bentonville, AR (US)
- (\*\*) Term: **15 Years**
- (21) Appl. No.: **29/553,692**
- (22) Filed: **Feb. 3, 2016**
- (51) **LOC (10) Cl.** ..... **06-01**
- (52) **U.S. Cl.**  
USPC ..... **D6/716.1; D6/368**
- (58) **Field of Classification Search**  
USPC ..... D6/334-336, 368, 373, 374, 379, 380, D6/716, 716.1, 716.2, 716.3, 716.4, 361  
CPC .. A47C 4/03; A47C 4/28; A47C 4/283; A47C 4/30; A47C 4/38; A47C 4/40; A47C 4/42; A47C 4/48; A47C 5/06; A47C 5/10; A47C 4/24  
See application file for complete search history.

- 6,715,839 B2 \* 4/2004 Legal ..... A47C 5/06 297/31
- 6,976,737 B1 \* 12/2005 Dandolo ..... A47C 5/06 297/218.3
- D593,759 S \* 6/2009 Oliphant ..... A47C 4/286 D6/335
- D691,821 S \* 10/2013 Mercieca ..... D6/368

\* cited by examiner

*Primary Examiner* — Mimoso De

(74) *Attorney, Agent, or Firm* — Michael L. Leetzow, P.A.

(57) **CLAIM**

The ornamental design for a seat for a folding chair, as shown and described.

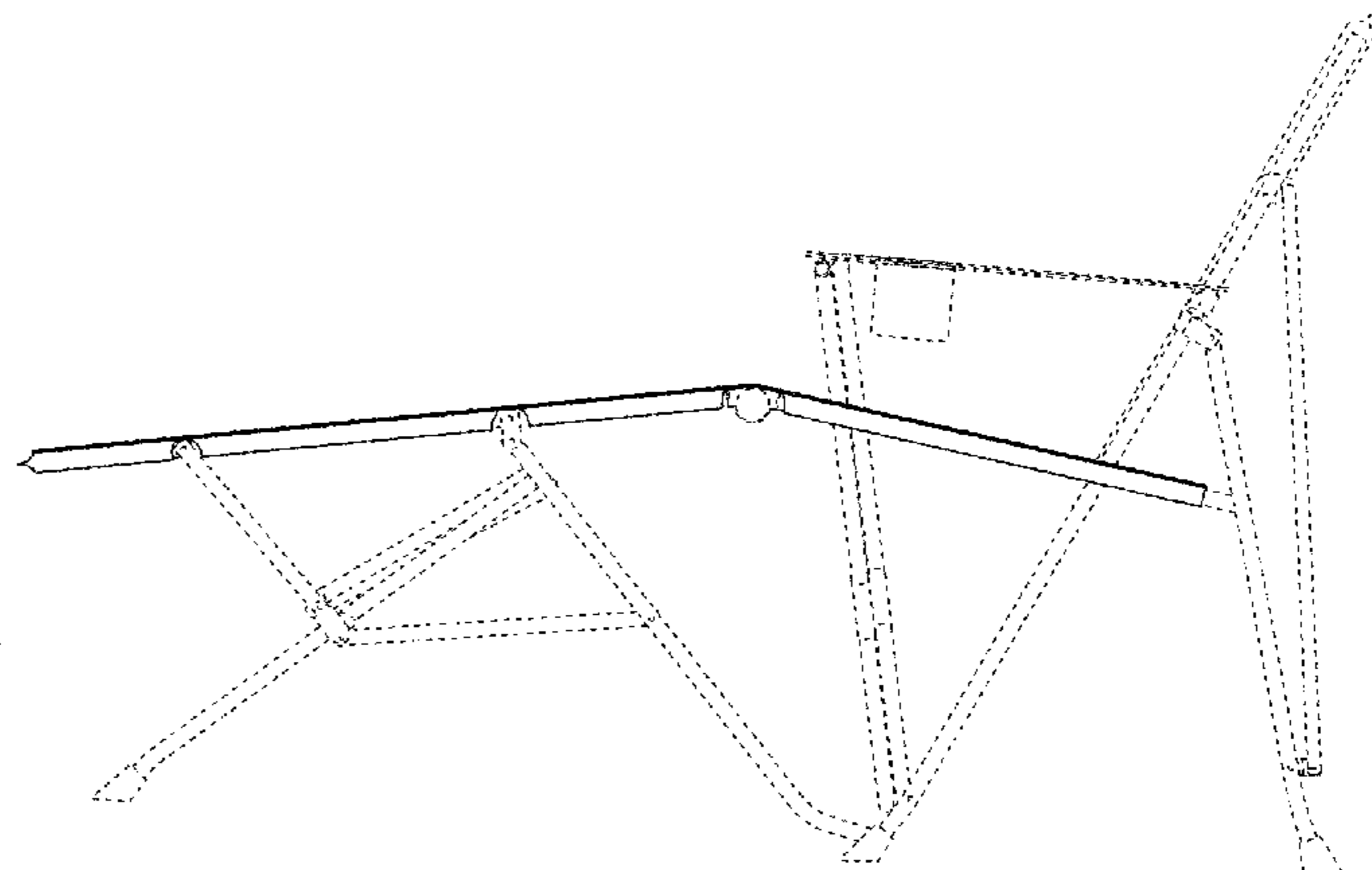
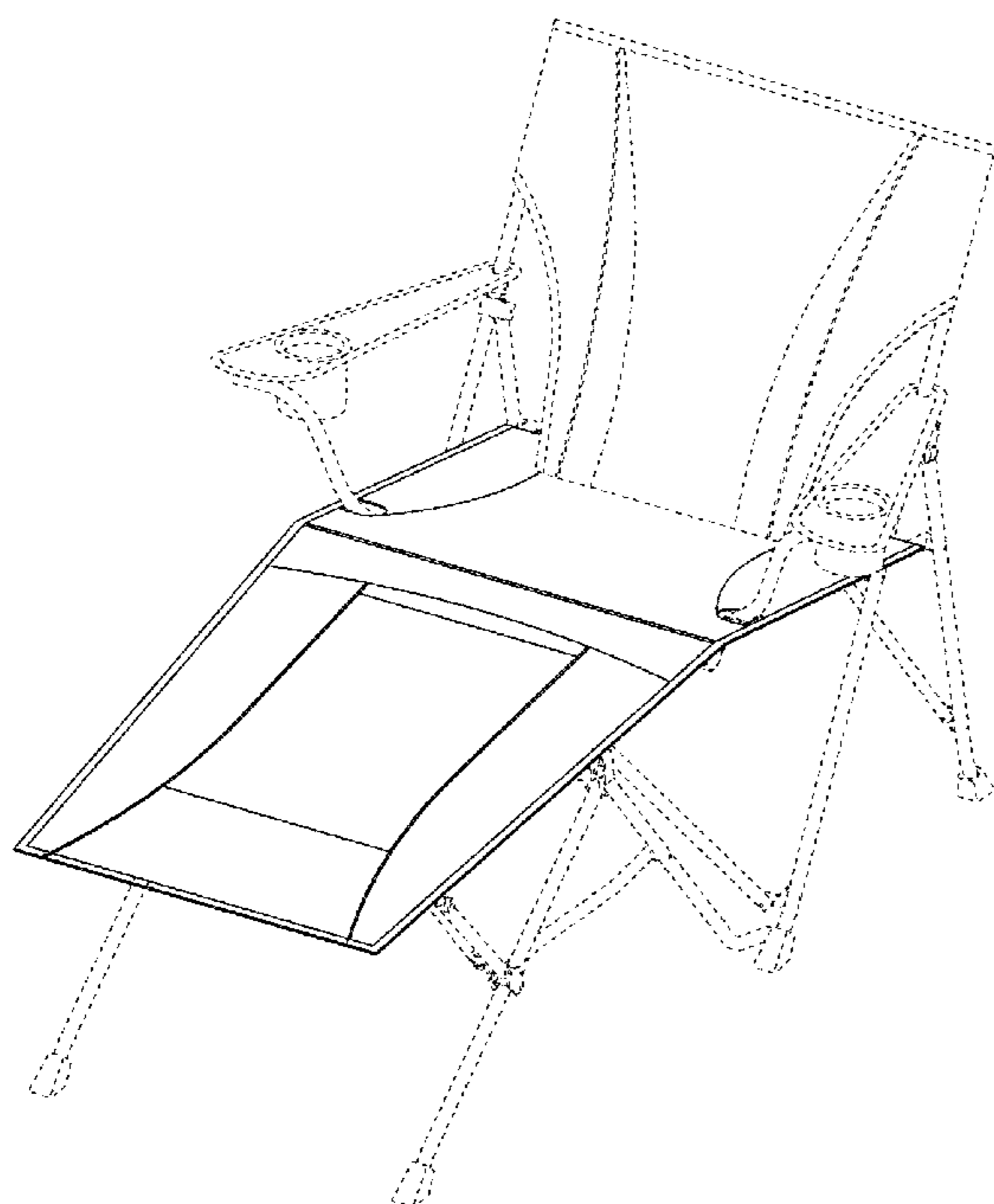
**DESCRIPTION**

FIG. 1 is a left side perspective view for a seat for a folding chair showing our new design;  
 FIG. 2 is a front view of the seat for a folding chair shown in FIG. 1;  
 FIG. 3 is a rear view of the seat for a folding chair shown in FIG. 1;  
 FIG. 4 is a right side view of the seat for a folding chair shown in FIG. 1;  
 FIG. 5 is a left side view of the seat for a folding chair shown in FIG. 1;  
 FIG. 6 is a top view of the seat for a folding chair shown in FIG. 1; and,  
 FIG. 7 is a bottom view of the seat for a folding chair shown in FIG. 1.

The broken line illustrations in the drawing figures of the chair frame and seams in FIGS. 1-7 are for illustrative purposes only and form no part of the claimed design.

**1 Claim, 6 Drawing Sheets**

- (56) **References Cited**  
U.S. PATENT DOCUMENTS  
D279,841 S \* 7/1985 Edmondson ..... D6/368  
D338,782 S \* 8/1993 Gibson ..... D6/336  
D352,635 S \* 11/1994 Yoder ..... D6/361  
5,464,270 A \* 11/1995 Chang ..... A47C 4/24 297/28



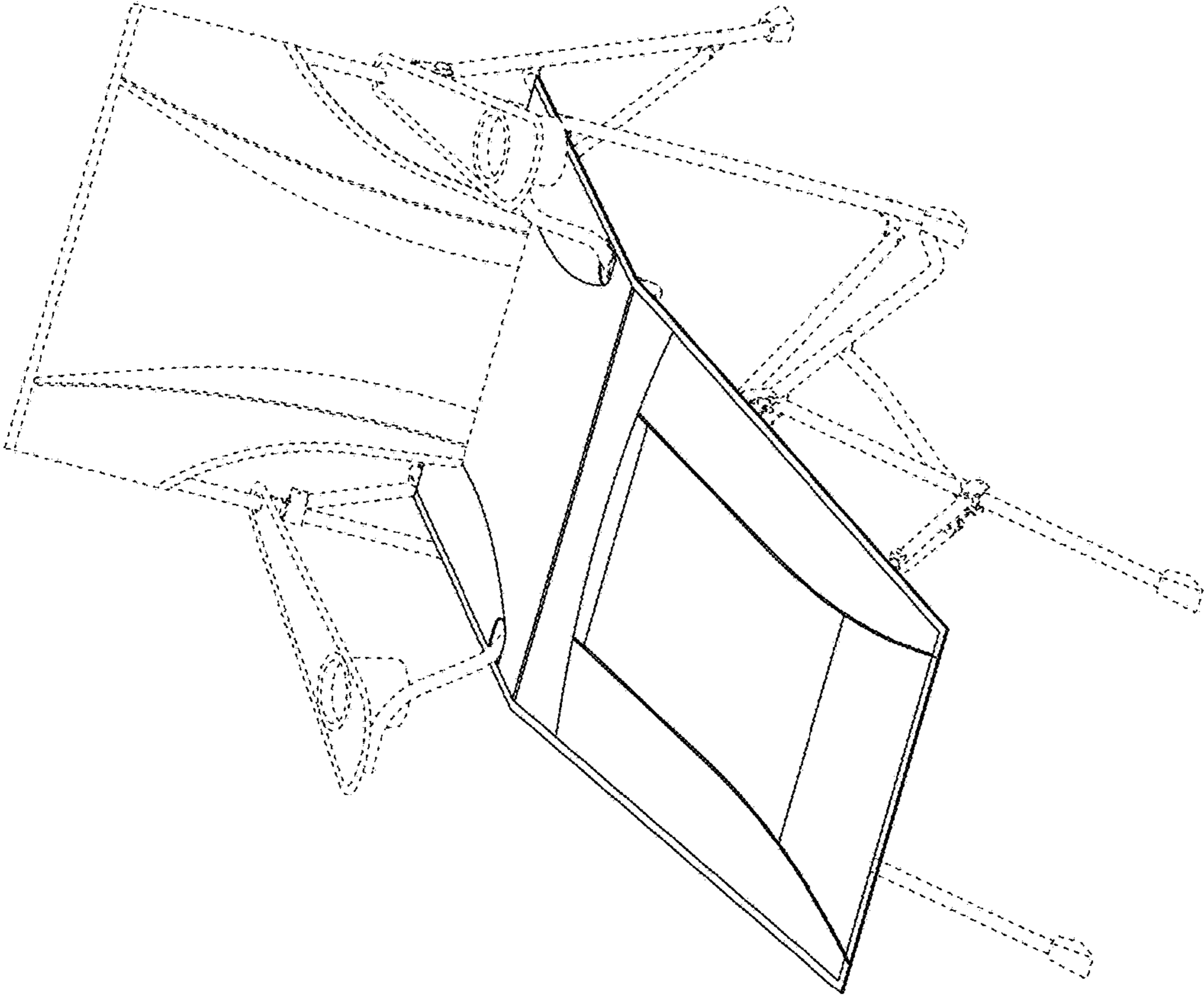
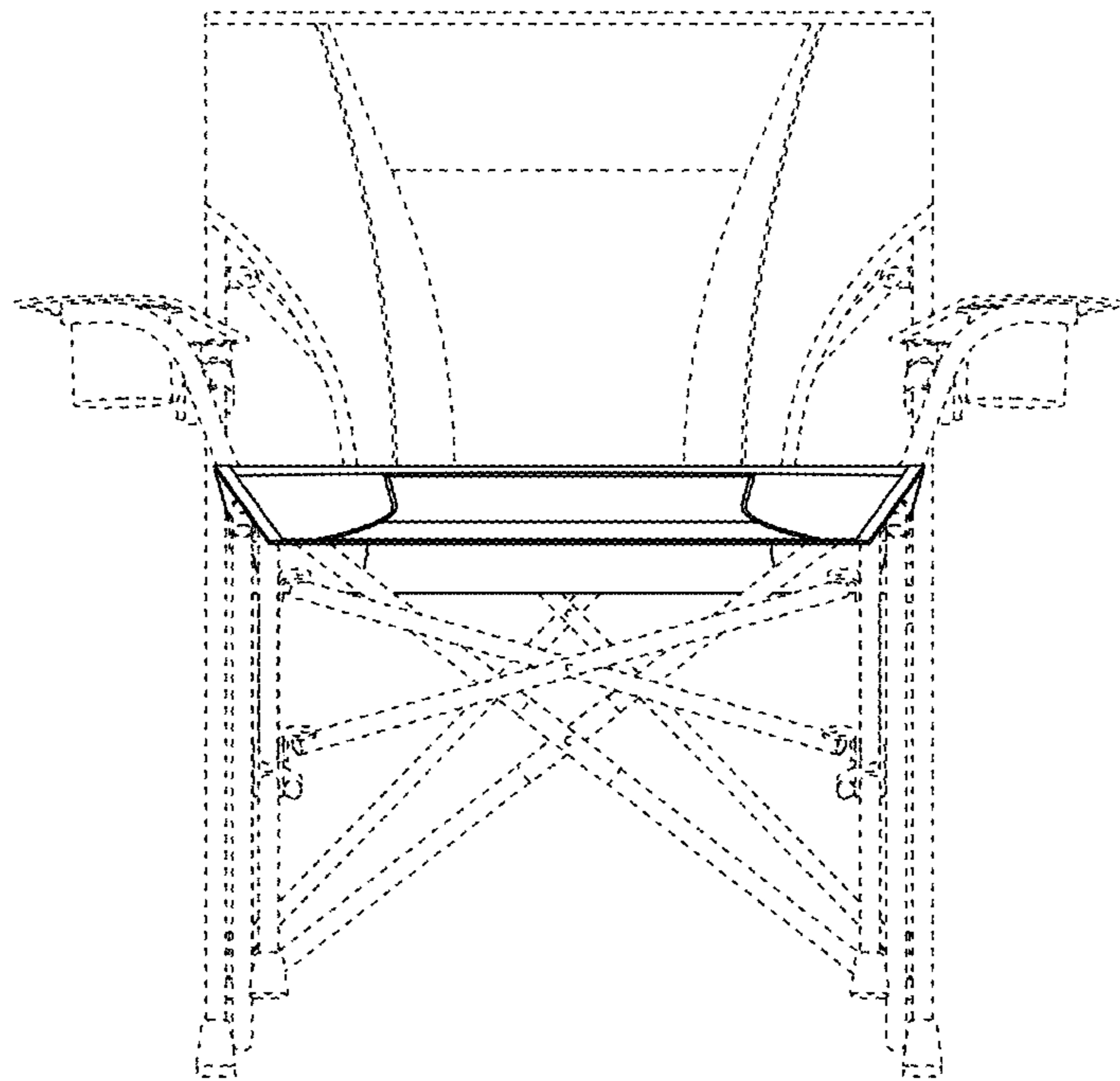
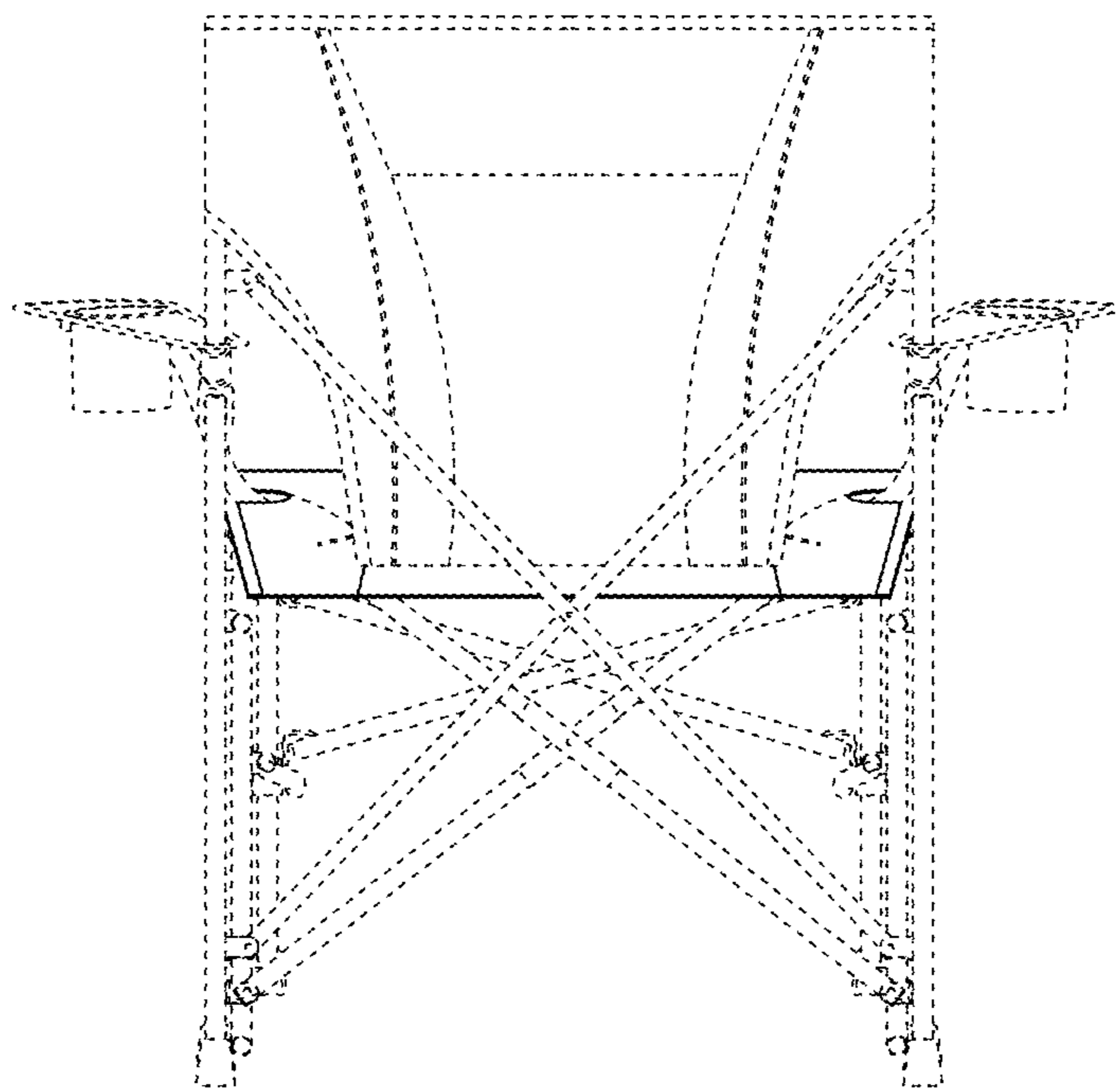


Fig. 1



**Fig. 2**



**Fig. 3**

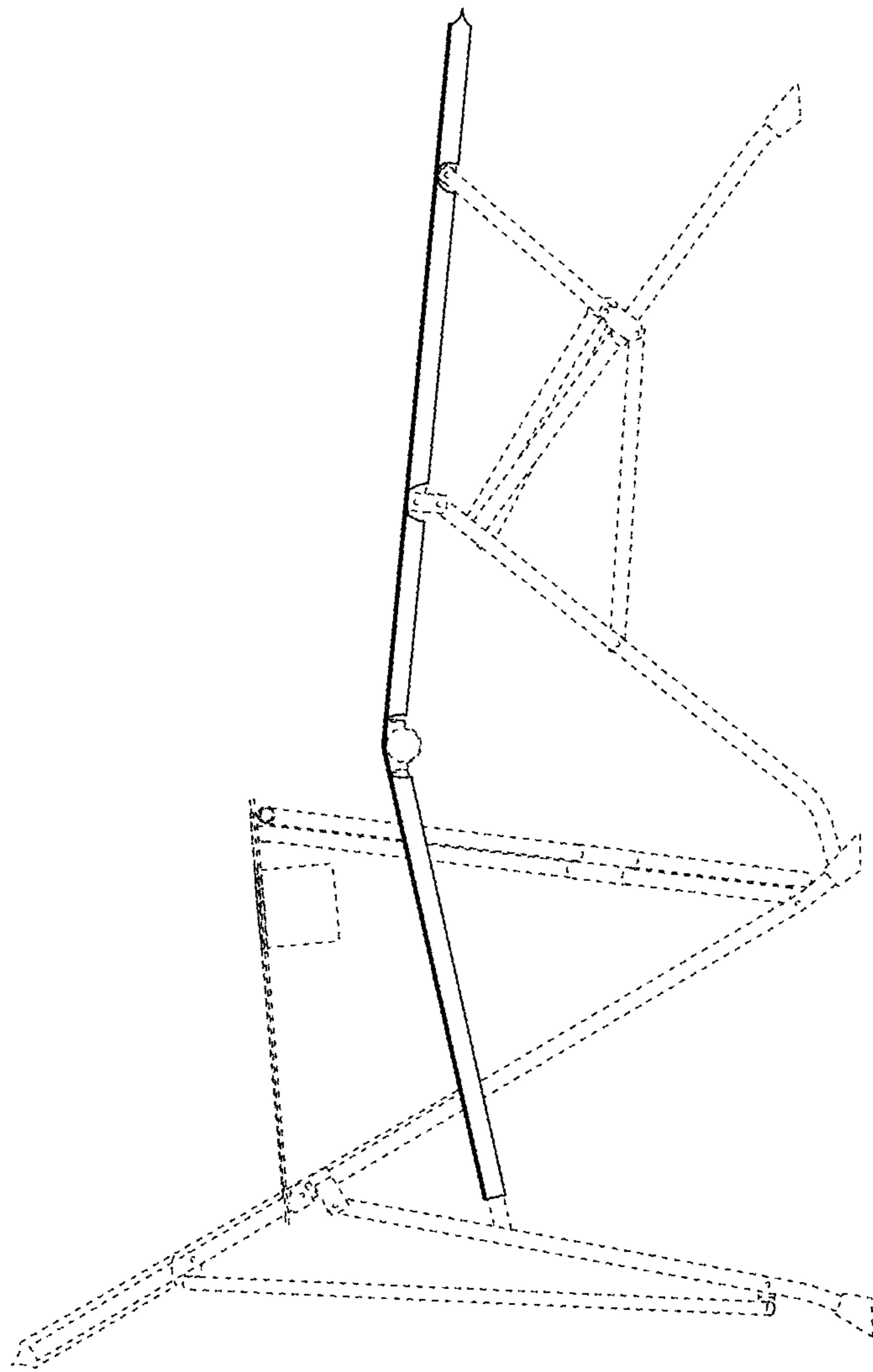


Fig. 4

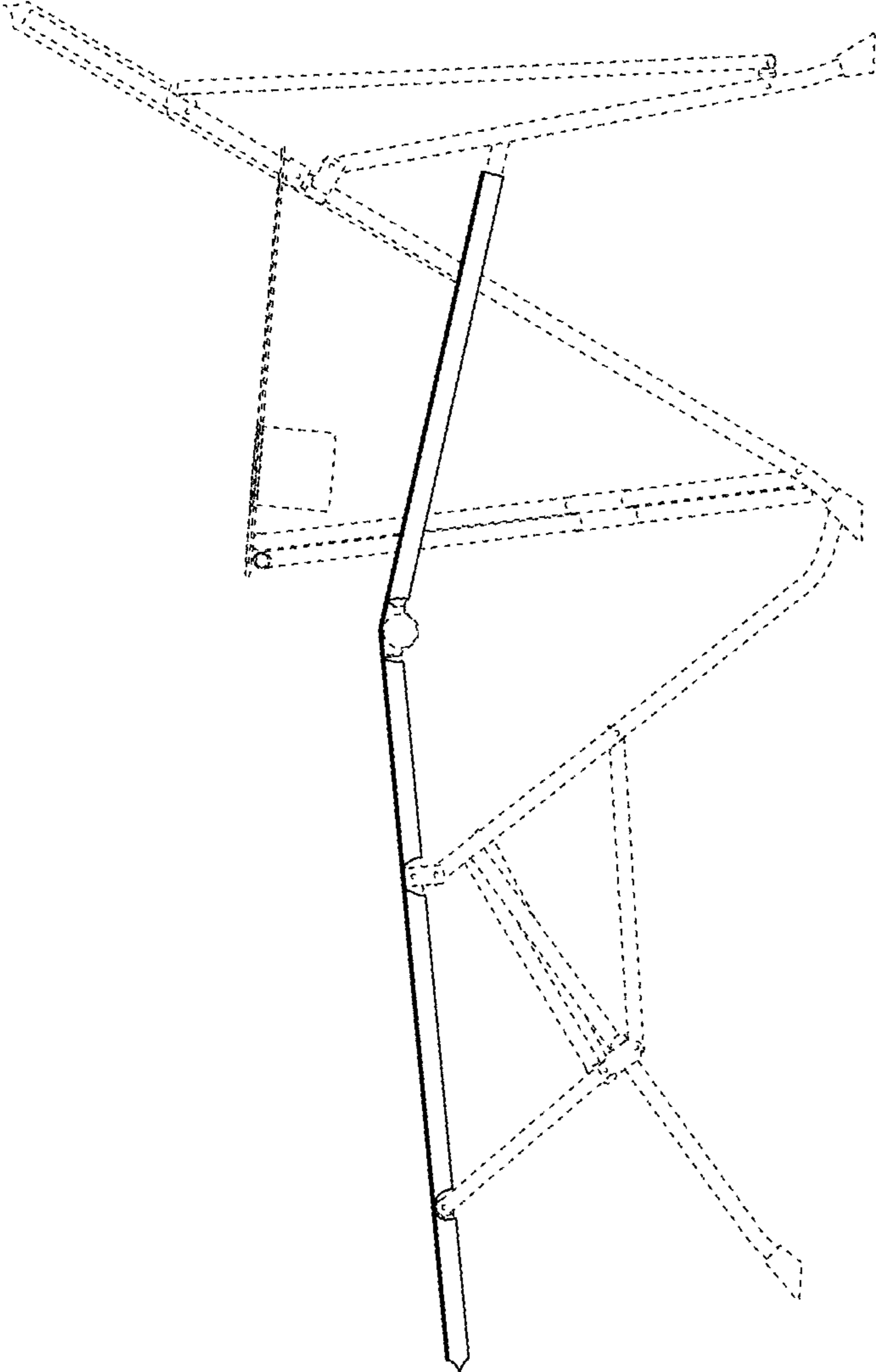
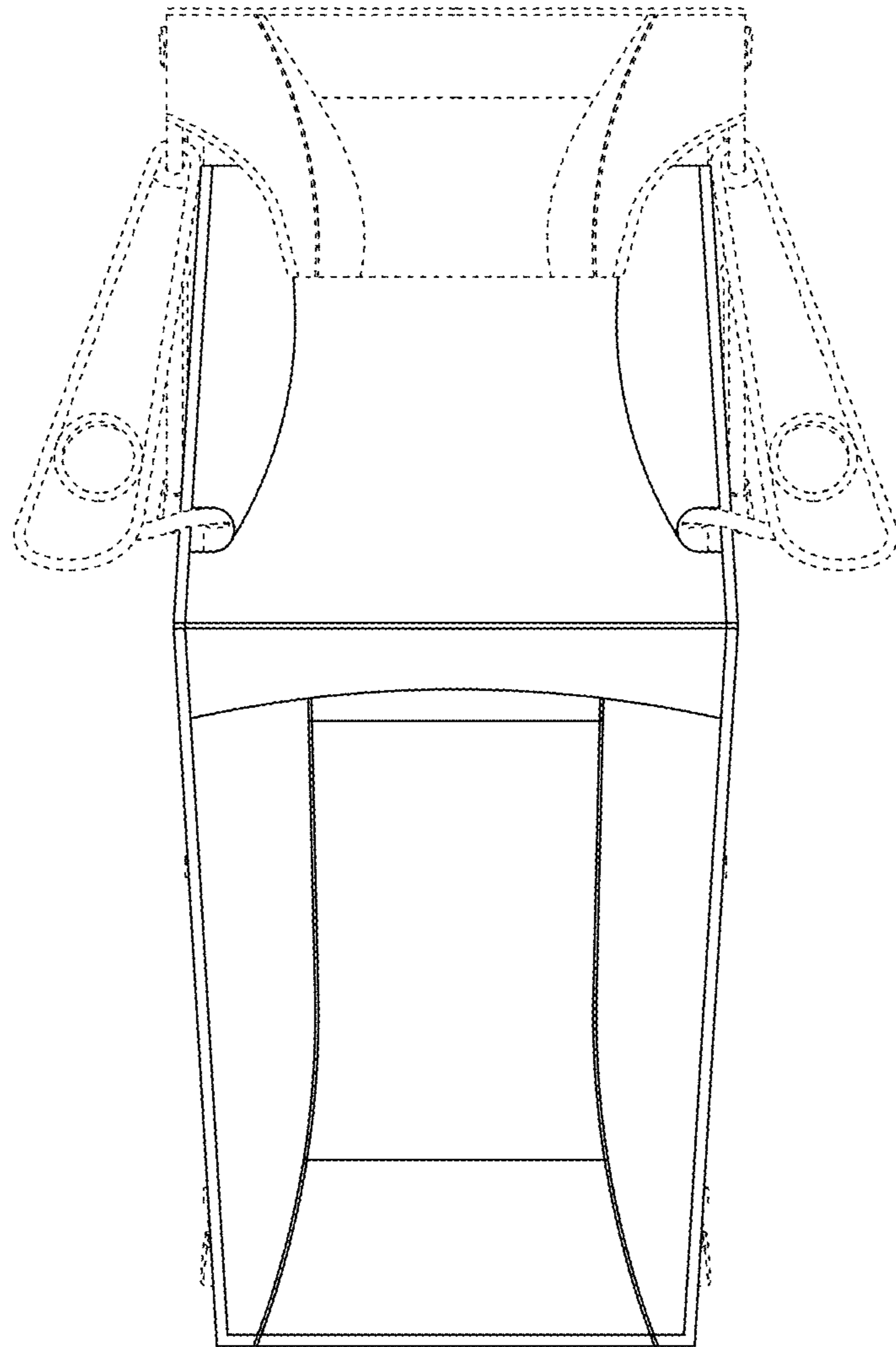
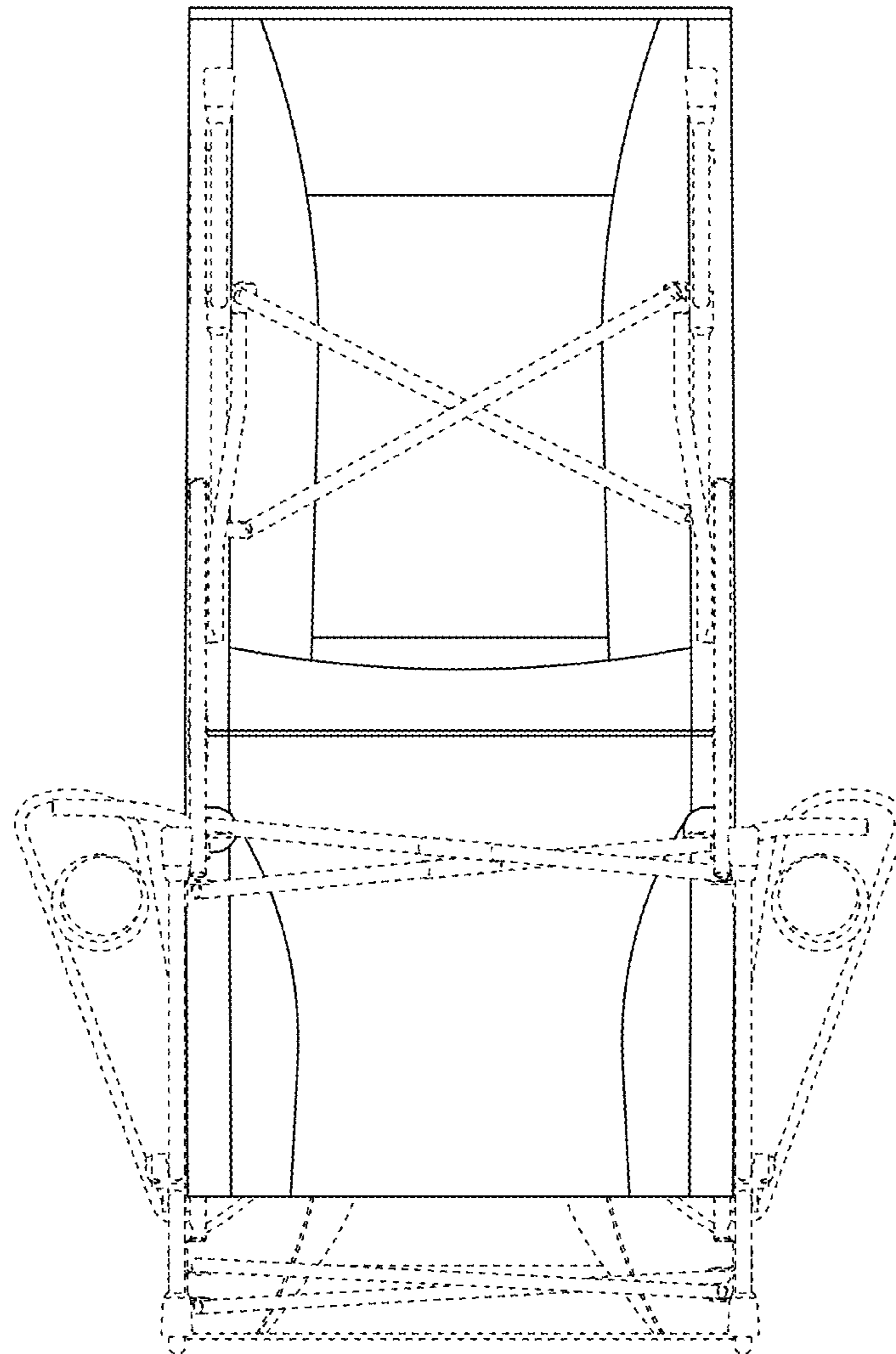


Fig. 5



**Fig. 6**



**Fig. 7**