



US00D805824S

(12) **United States Design Patent**
Velez et al.

(10) **Patent No.:** **US D805,824 S**

(45) **Date of Patent:** **** *Dec. 26, 2017**

(54) **CHAIR**

(71) Applicant: **Holly Hunt Enterprises, Inc.**, Chicago, IL (US)

(72) Inventors: **Alberto Velez**, Chicago, IL (US);
Aaron Scott, Chicago, IL (US)

(73) Assignee: **Holly Hunt Enterprises, Inc.**, Chicago, IL (US)

(*) Notice: This patent is subject to a terminal disclaimer.

(**) Term: **15 Years**

(21) Appl. No.: **29/547,011**

(22) Filed: **Nov. 30, 2015**

(51) **LOC (10) Cl.** **06-01**

(52) **U.S. Cl.**
USPC **D6/709**

(58) **Field of Classification Search**
USPC D6/334-336, 370, 374, 375, 376, 379,
D6/380, 708, 709, 716
CPC .. A47C 4/02; A47C 4/03; A47C 4/025; A47C
4/027; A47C 4/028; A47C 4/06; A47C
7/00; A47C 7/16
See application file for complete search history.

(56) **References Cited**

U.S. PATENT DOCUMENTS

D177,366 S * 4/1956 Cutrow D6/375
2,965,161 A * 12/1960 Knoll A47C 4/02
297/440.2

D193,844 S * 10/1962 Ohlsson D6/379
D197,967 S * 4/1964 Waitzman D6/708
D202,776 S * 11/1965 Pearsall D6/709
3,455,604 A * 7/1969 Turcksin A47C 7/00
297/440.11
D704,470 S * 5/2014 Welborn D6/379
D767,295 S * 9/2016 Haase D6/374

* cited by examiner

Primary Examiner — Mimosa De

(74) *Attorney, Agent, or Firm* — Blank Rome LLP

(57) **CLAIM**

The ornamental design for a chair, as shown and described.

DESCRIPTION

FIG. 1 is a perspective view of a chair in accordance with the present design;

FIG. 2 is a front view of the chair illustrated in FIG. 1;

FIG. 3 is a rear view of the chair illustrated in FIG. 1;

FIG. 4 is a right side view of the chair illustrated in FIG. 1;

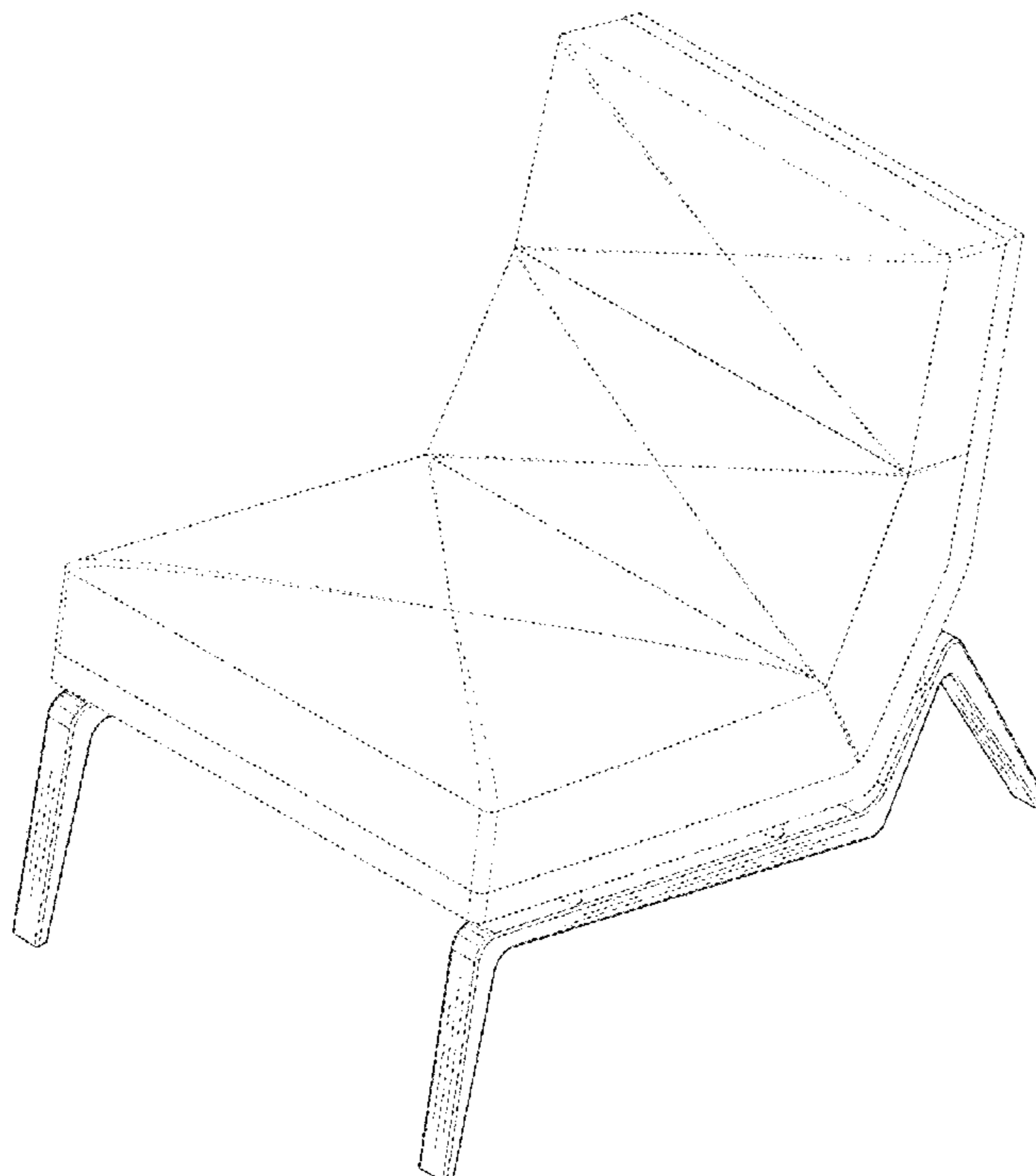
FIG. 5 is a left side view of the chair illustrated in FIG. 1;

FIG. 6 is a top view of the chair illustrated in FIG. 1; and,

FIG. 7 is a bottom view of the chair illustrated in FIG. 1.

The broken lines in the figures show unclaimed detail.

1 Claim, 7 Drawing Sheets



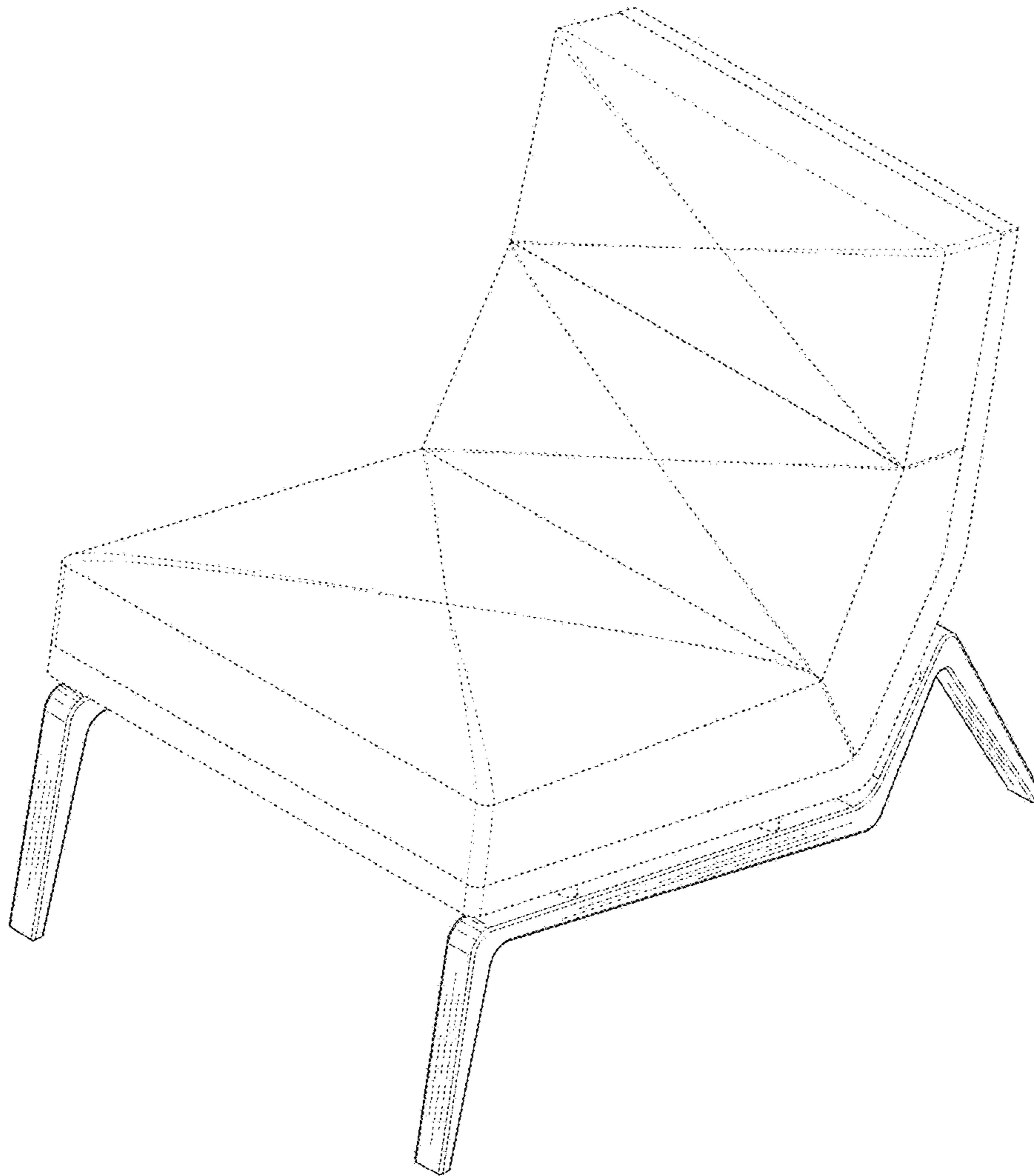


FIG. 1

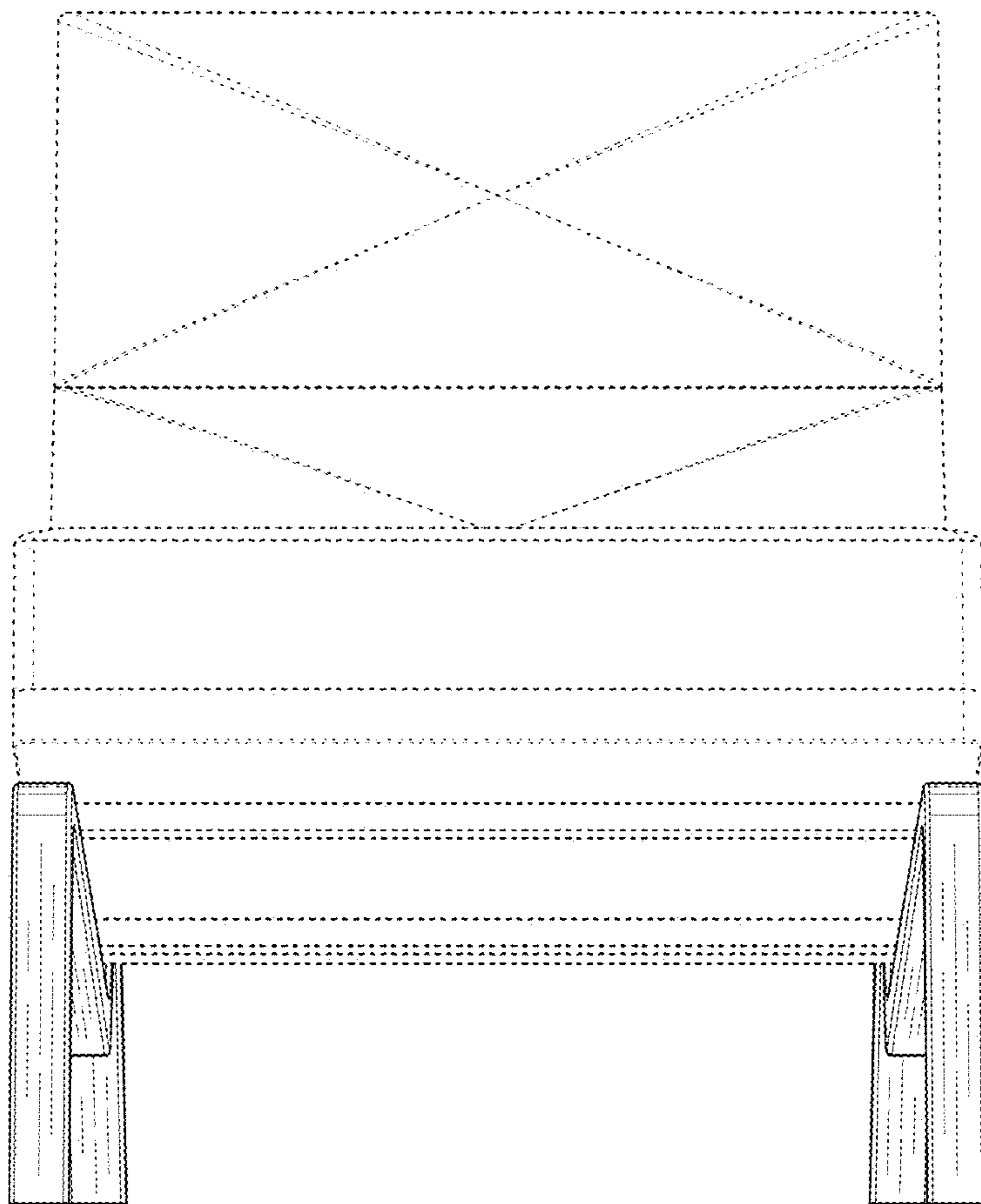


FIG. 2

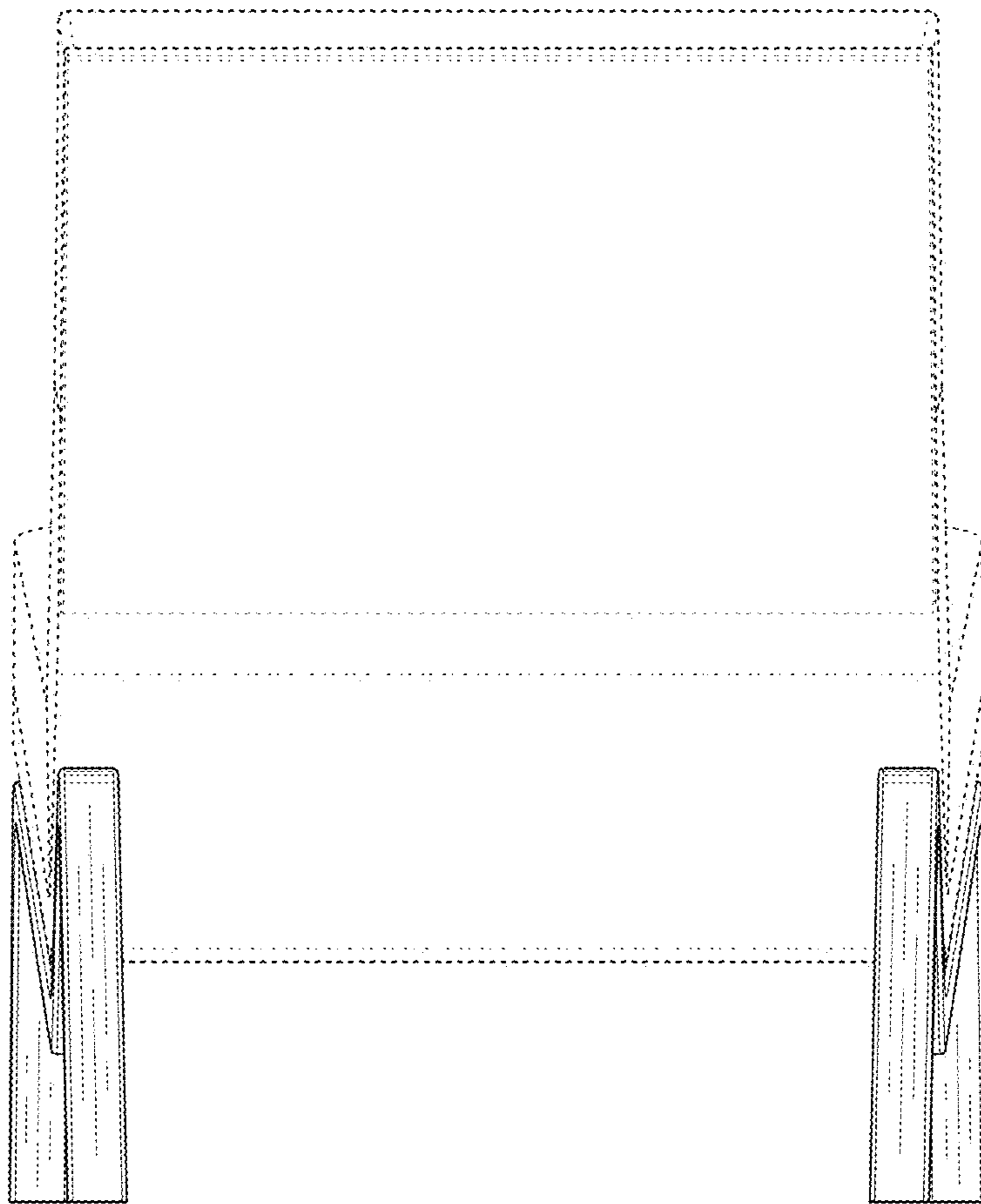


FIG. 3

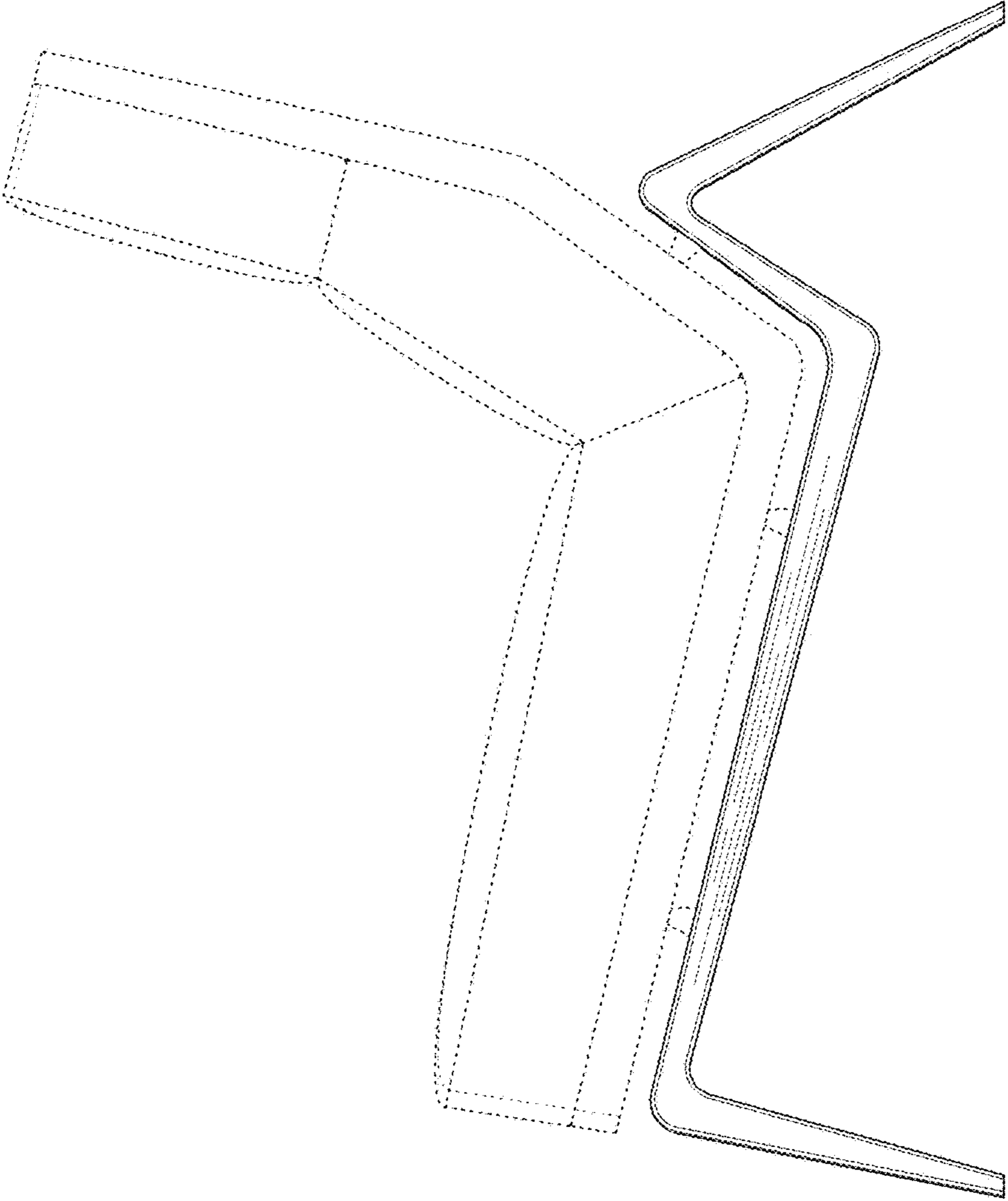


FIG. 4

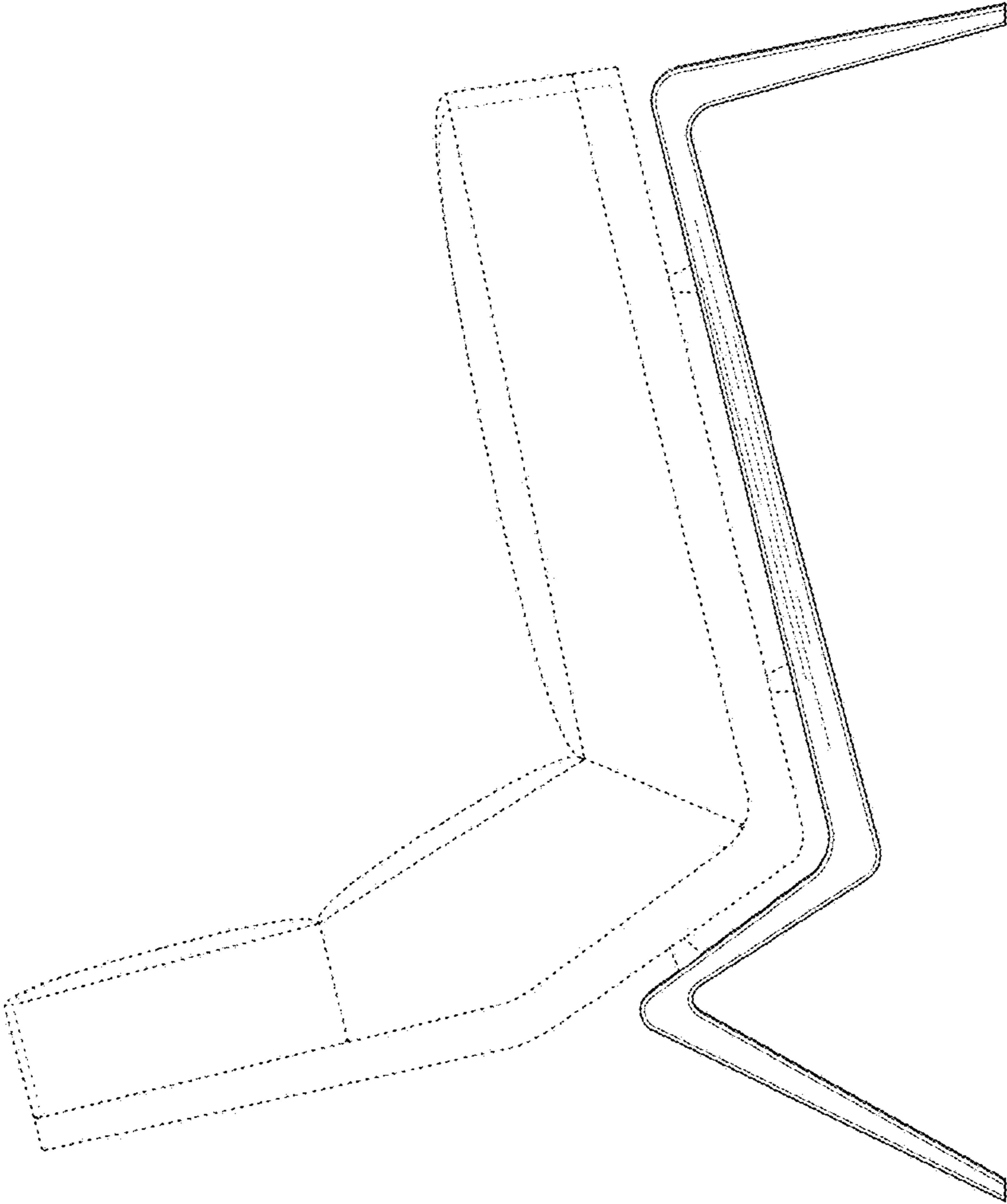


FIG. 5

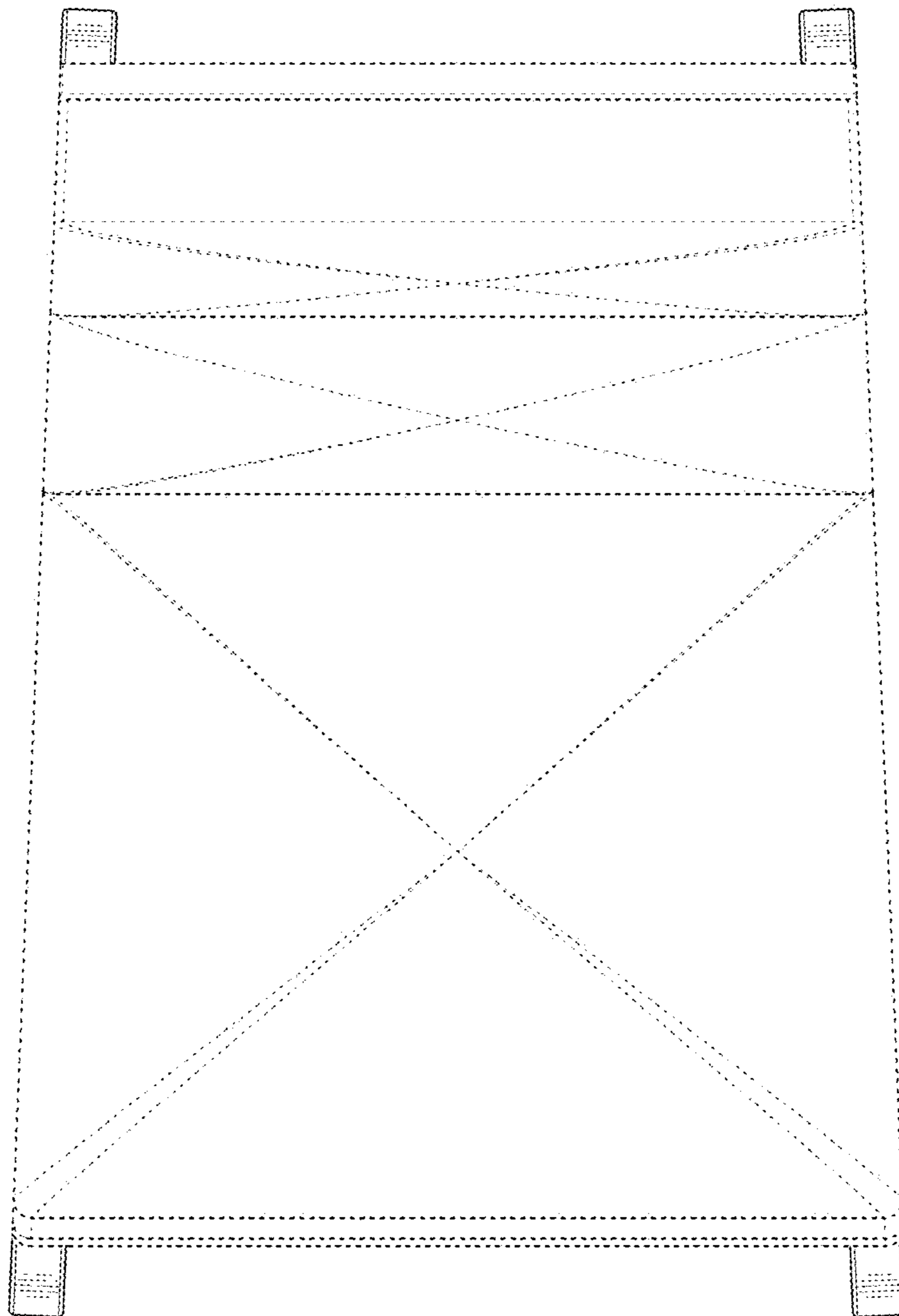


FIG. 6

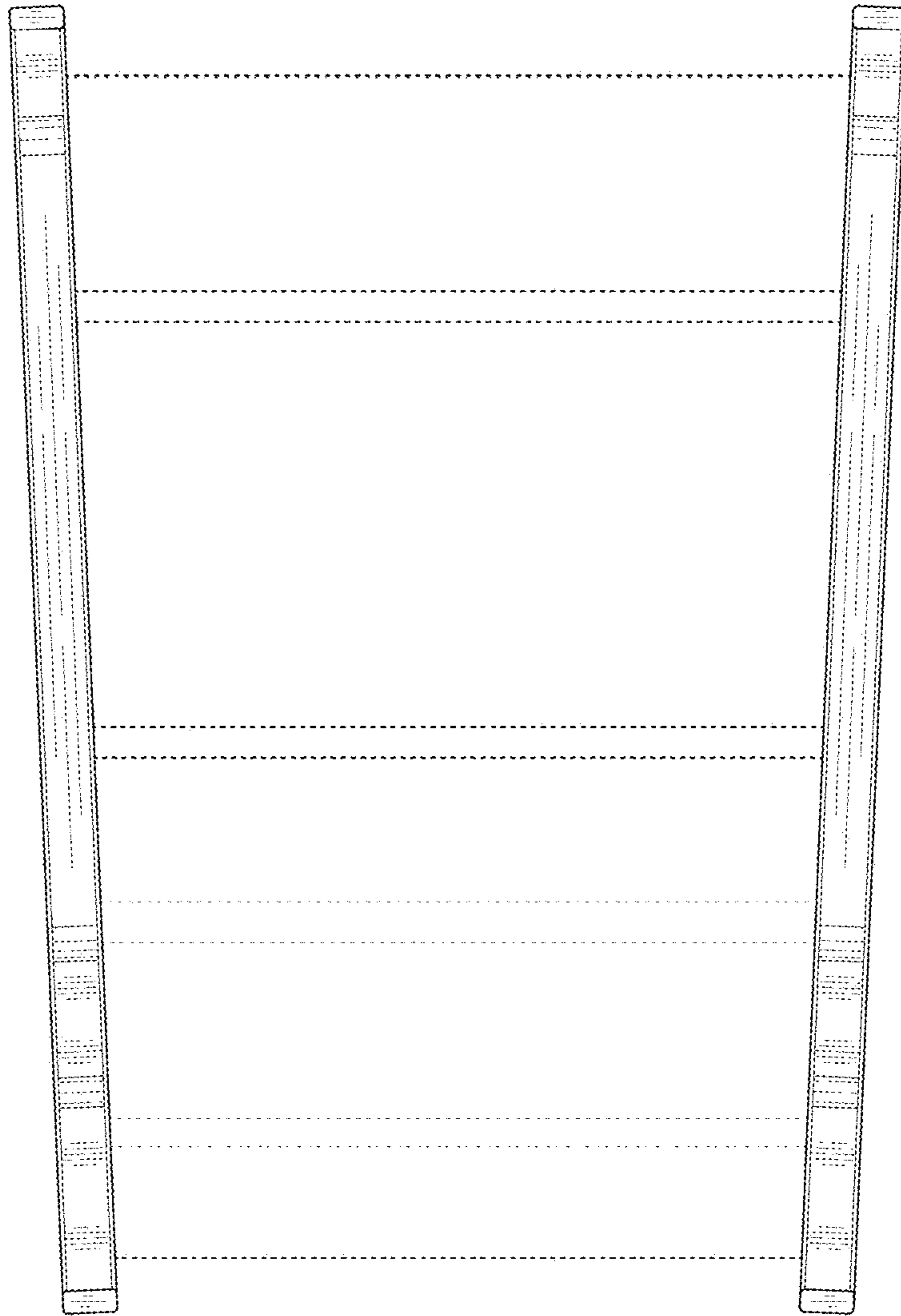


FIG. 7