



US00D805823S

(12) **United States Design Patent** (10) **Patent No.:** **US D805,823 S**  
**Babick** (45) **Date of Patent:** **\*\* Dec. 26, 2017**

(54) **SUPPORT LEG**

(71) Applicant: **DSA International, LLC**, Zeeland, MI (US)

(72) Inventor: **Tod Babick**, Grand Rapids, MI (US)

(73) Assignee: **DSA International, Inc.**, Zeeland, MI (US)

(\*\*) Term: **14 Years**

(21) Appl. No.: **29/493,035**

(22) Filed: **Jun. 5, 2014**

(51) **LOC (10) Cl.** ..... **06-06**

(52) **U.S. Cl.**  
USPC ..... **D6/709**

(58) **Field of Classification Search**  
USPC ..... D6/648.1, 656, 656.12, 656.17, 708.23,  
D6/709, 709.21, 710, 718

(Continued)

(56) **References Cited**

U.S. PATENT DOCUMENTS

2,787,087 A \* 4/1957 Whitman ..... A47B 91/16  
108/150

D183,556 S \* 9/1958 Close ..... D6/709.21  
(Continued)

*Primary Examiner* — David G Muller

*Assistant Examiner* — Nathan M Johnston

(74) *Attorney, Agent, or Firm* — Niro McAndrews, LLC

(57) **CLAIM**

The ornamental design for a support leg, as shown and described.

**DESCRIPTION**

FIG. 1 is a front perspective view of a support leg, showing my new design;

FIG. 2 is a upper rear perspective view thereof;

FIG. 3 is a lower rear perspective view thereof;

FIG. 4 is a front elevational view thereof;

FIG. 5 is a rear elevational view thereof;

FIG. 6 is a top plan view thereof;

FIG. 7 is a bottom plan view thereof;

FIG. 8 is a side elevational view thereof;

FIG. 9 is a front perspective view of a support leg, showing a second embodiment of my new design;

FIG. 10 is a upper rear perspective view thereof;

FIG. 11 is a lower rear perspective view thereof;

FIG. 12 is a front elevational view thereof;

FIG. 13 is a rear elevational view thereof;

FIG. 14 is a top plan view thereof;

FIG. 15 is a bottom plan view thereof;

FIG. 16 is a side elevational view thereof;

FIG. 17 is a front perspective view of a support leg, showing a third embodiment of my new design;

FIG. 18 is a upper rear perspective view thereof;

FIG. 19 is a lower rear perspective view thereof;

FIG. 20 is a front elevational view thereof;

FIG. 21 is a rear elevational view thereof;

FIG. 22 is a top plan view thereof;

FIG. 23 is a bottom plan view thereof;

FIG. 24 is a side elevational view thereof;

FIG. 25 is a front perspective view of a support leg, showing a fourth embodiment of my new design;

FIG. 26 is a upper rear perspective view thereof;

FIG. 27 is a lower rear perspective view thereof;

FIG. 28 is a front elevational view thereof;

FIG. 29 is a rear elevational view thereof;

FIG. 30 is a top plan view thereof;

FIG. 31 is a bottom plan view thereof;

FIG. 32 is a side elevational view thereof;

FIG. 33 is a front perspective view of a support leg, showing a fifth embodiment of my new design;

FIG. 34 is a upper rear perspective view thereof;

FIG. 35 is a lower rear perspective view thereof;

FIG. 36 is a front elevational view thereof;

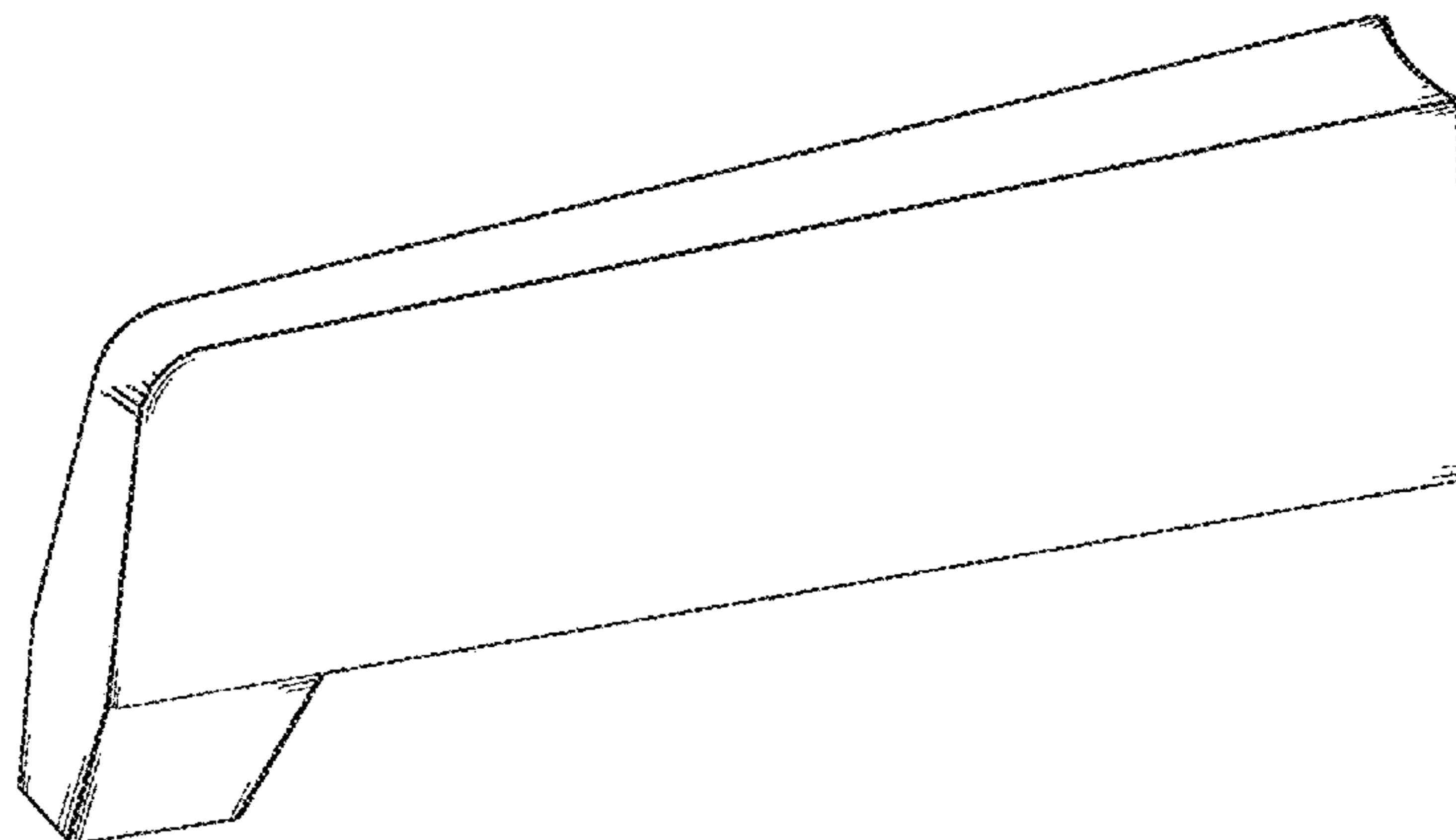
FIG. 37 is a rear elevational view thereof;

FIG. 38 is a top plan view thereof;

FIG. 39 is a bottom plan view thereof; and,

FIG. 40 is a side elevational view thereof.

(Continued)



The broken lines show portions of the design that form no part of the claim.

**1 Claim, 35 Drawing Sheets**

**(58) Field of Classification Search**

CPC .... A47B 1/00; A47B 1/08; A47B 1/10; A47B 9/00; A47B 9/08; A47B 9/20; A47B 9/18; A47B 87/002; A47B 7/00; A47B 2021/11; A47B 13/00; A47B 13/02; A47B 13/04; A47B 91/00; A47B 2200/002; A47B 2200/0031

See application file for complete search history.

**(56) References Cited**

U.S. PATENT DOCUMENTS

D193,094 S 6/1962 Sullivan  
 D197,653 S \* 3/1964 Sundberg ..... D6/708  
 D223,498 S \* 4/1972 Daum ..... D6/709  
 D239,073 S \* 3/1976 George ..... D6/708  
 D276,864 S \* 12/1984 Ponzellini ..... D6/709  
 D278,012 S \* 3/1985 Doerner ..... D6/610  
 D314,299 S \* 2/1991 Diffrient ..... D6/709  
 D380,632 S \* 7/1997 Schacht ..... D6/709  
 5,758,586 A 6/1998 Kieser  
 D399,077 S \* 10/1998 Lepper ..... D6/656.16  
 D431,739 S \* 10/2000 Rives ..... D6/709  
 D444,325 S \* 7/2001 DeJule ..... D6/709  
 6,289,825 B1 \* 9/2001 Long ..... A47B 9/00  
 108/147  
 D526,822 S \* 8/2006 Chen ..... D6/708.23  
 D555,945 S \* 11/2007 Pearsons ..... D6/709  
 D560,085 S \* 1/2008 Glass ..... D6/656.17  
 D563,697 S \* 3/2008 Glass ..... D6/656.16  
 D569,136 S \* 5/2008 Pearsons ..... D6/708.23  
 D569,662 S \* 5/2008 Simonsen ..... D6/709  
 D569,663 S \* 5/2008 Pearsons ..... D6/708.23  
 D577,517 S \* 9/2008 Kumazawa ..... D6/656.16  
 D622,984 S \* 9/2010 Babick ..... D6/709  
 7,886,674 B2 \* 2/2011 Behnke ..... A47B 13/023  
 108/150  
 D634,949 S \* 3/2011 Babick ..... D6/709  
 7,908,981 B2 \* 3/2011 Agee ..... A47B 9/04  
 108/147  
 D644,458 S 9/2011 Babick

D644,459 S 9/2011 Babick  
 D644,860 S \* 9/2011 Saito ..... D6/656.17  
 D653,479 S \* 2/2012 Babick ..... D6/709  
 D661,504 S \* 6/2012 Saotome ..... D6/366  
 D661,915 S \* 6/2012 Greutmann ..... D6/366  
 D662,330 S \* 6/2012 Tanaka ..... D6/366  
 D663,129 S \* 7/2012 Greutmann ..... D6/366  
 D665,191 S \* 8/2012 Yamamoto ..... D6/656.15  
 D665,589 S \* 8/2012 Wagner ..... D6/366  
 D665,591 S \* 8/2012 Tanaka ..... D6/366  
 D665,592 S \* 8/2012 Citterio ..... D6/366  
 D666,016 S \* 8/2012 Citterio ..... D6/366  
 D669,277 S \* 10/2012 Saotome ..... D6/366  
 D669,282 S \* 10/2012 Yamamoto ..... D6/691.6  
 8,291,830 B2 \* 10/2012 Rutz ..... A47B 3/0818  
 108/115  
 D674,627 S \* 1/2013 Mecherle ..... D6/708.16  
 D677,917 S \* 3/2013 Mao ..... D6/366  
 D678,690 S \* 3/2013 Eldoy ..... D6/366  
 D680,345 S \* 4/2013 Xingchang ..... D6/366  
 D680,765 S \* 4/2013 Ballendat ..... D6/366  
 D683,150 S \* 5/2013 Smith ..... D6/366  
 D683,151 S \* 5/2013 Smith ..... D6/366  
 D683,979 S \* 6/2013 Miller ..... D6/366  
 D684,783 S \* 6/2013 Hsiao ..... D6/366  
 D688,482 S \* 8/2013 Choi ..... D6/366  
 D690,523 S \* 10/2013 Choi ..... D6/366  
 D691,405 S 10/2013 Pearsons  
 D691,406 S 10/2013 Pearsons  
 D716,597 S \* 11/2014 Muller ..... D6/708.17  
 9,038,549 B1 \* 5/2015 Zebarjad ..... A47B 9/02  
 108/147  
 9,332,836 B1 \* 5/2016 Zebarjad ..... A47B 9/02  
 D759,412 S \* 6/2016 Koning ..... D6/709  
 D760,003 S \* 6/2016 Primeau ..... D6/709  
 D763,609 S \* 8/2016 Copier ..... D6/709  
 D775,488 S \* 1/2017 Koning ..... D6/706  
 D786,597 S \* 5/2017 Gao ..... D6/716.2  
 2008/0178779 A1 \* 7/2008 Agee ..... A47B 9/04  
 108/147  
 2009/0145342 A1 \* 6/2009 Flanet ..... A47B 17/00  
 108/147.19  
 2010/0024687 A1 \* 2/2010 Preiss ..... A47B 21/06  
 108/50.02  
 2010/0176257 A1 \* 7/2010 Koh ..... A47B 13/06  
 248/188.7  
 2012/0261532 A1 \* 10/2012 Hazzard ..... A47C 7/004  
 248/188.7

\* cited by examiner

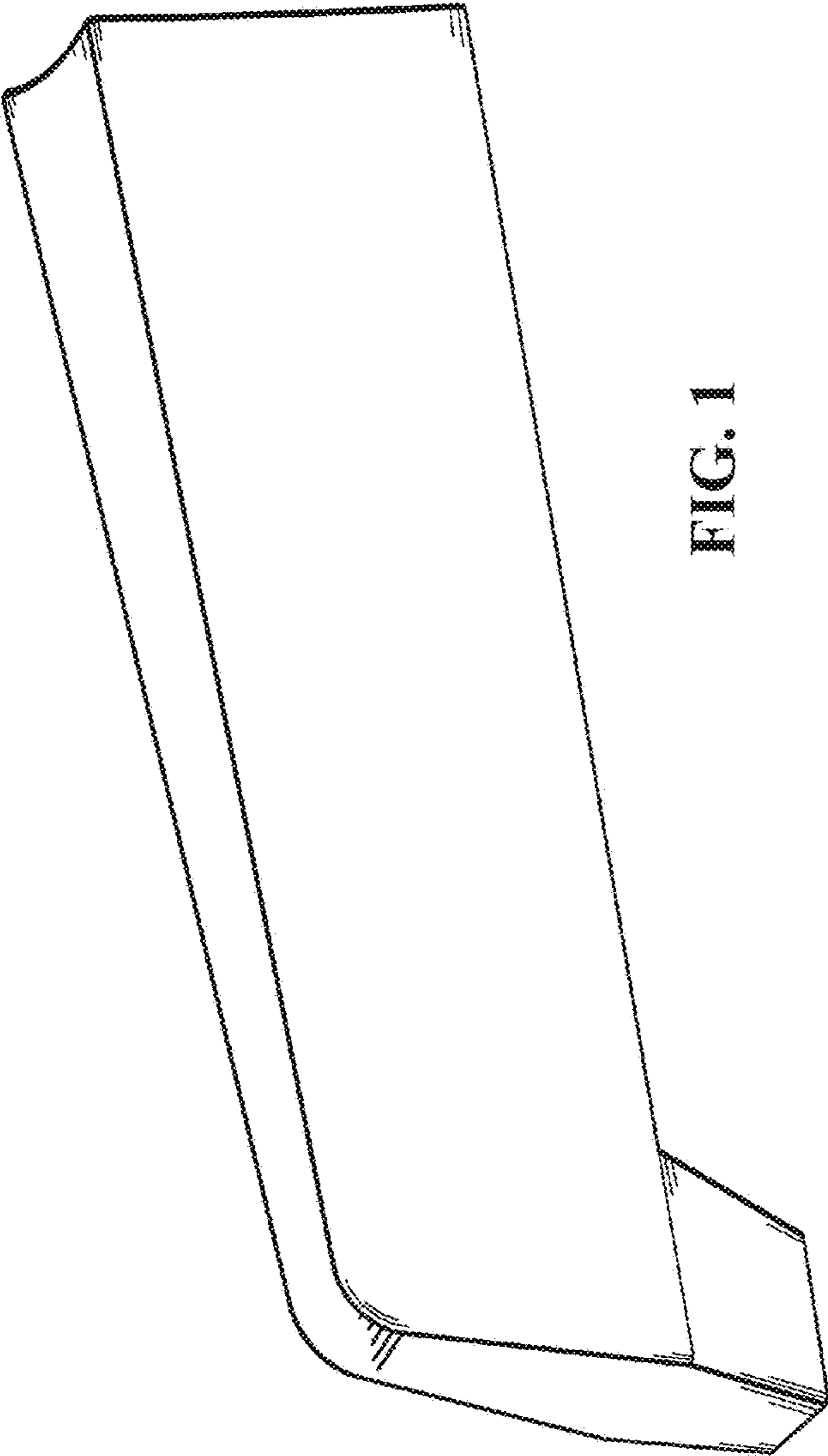


FIG. 1

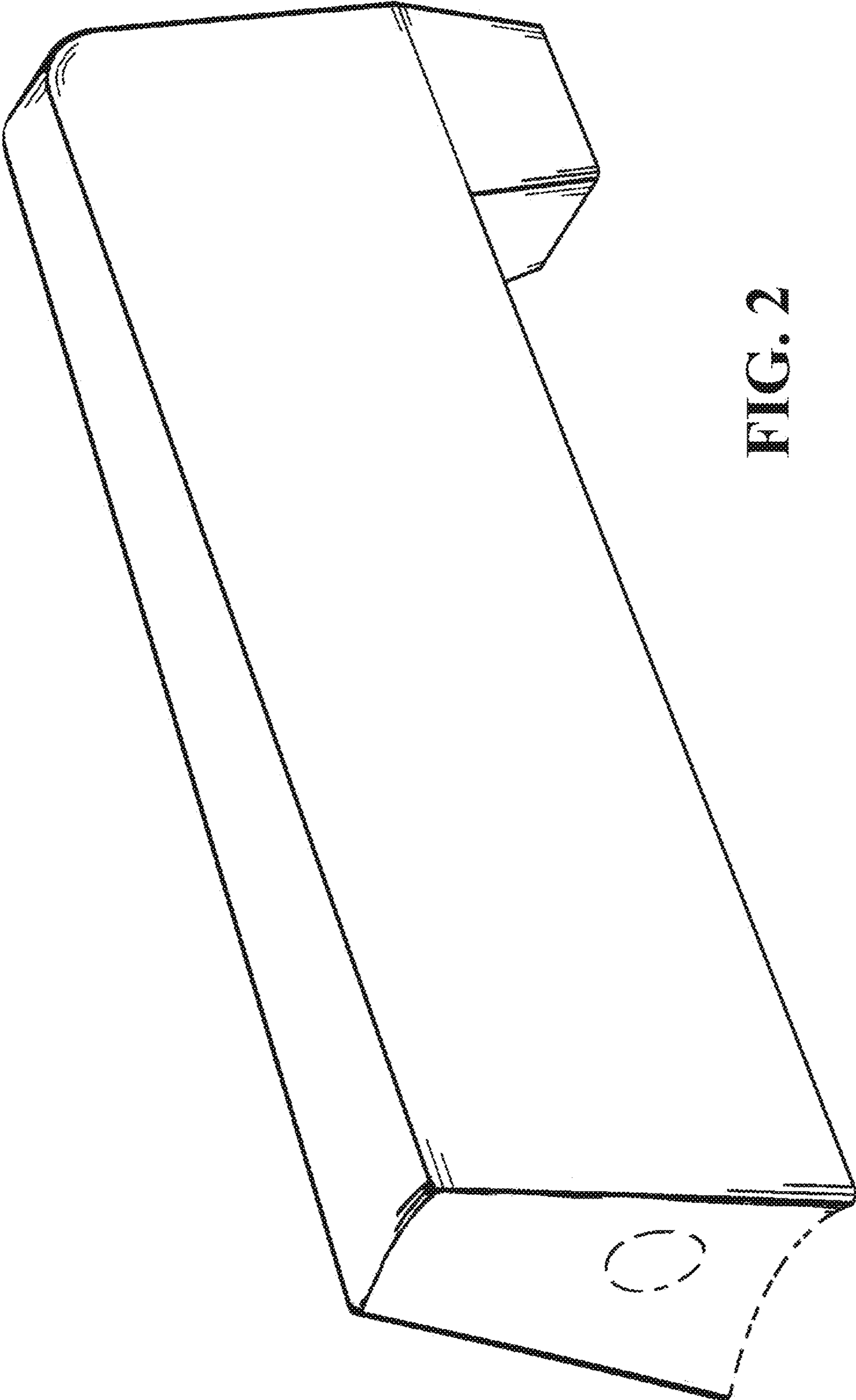


FIG. 2

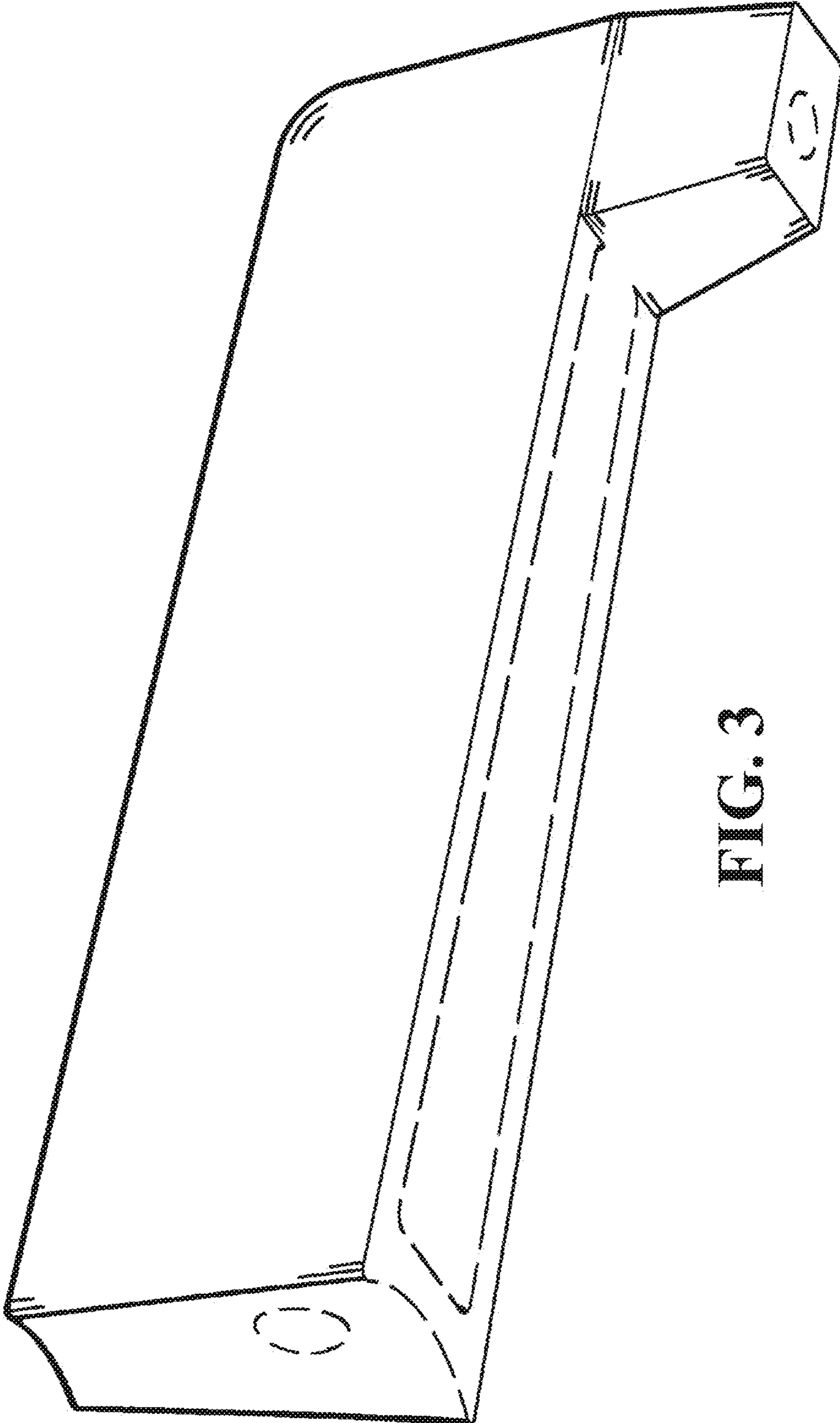


FIG. 3

**FIG. 4**

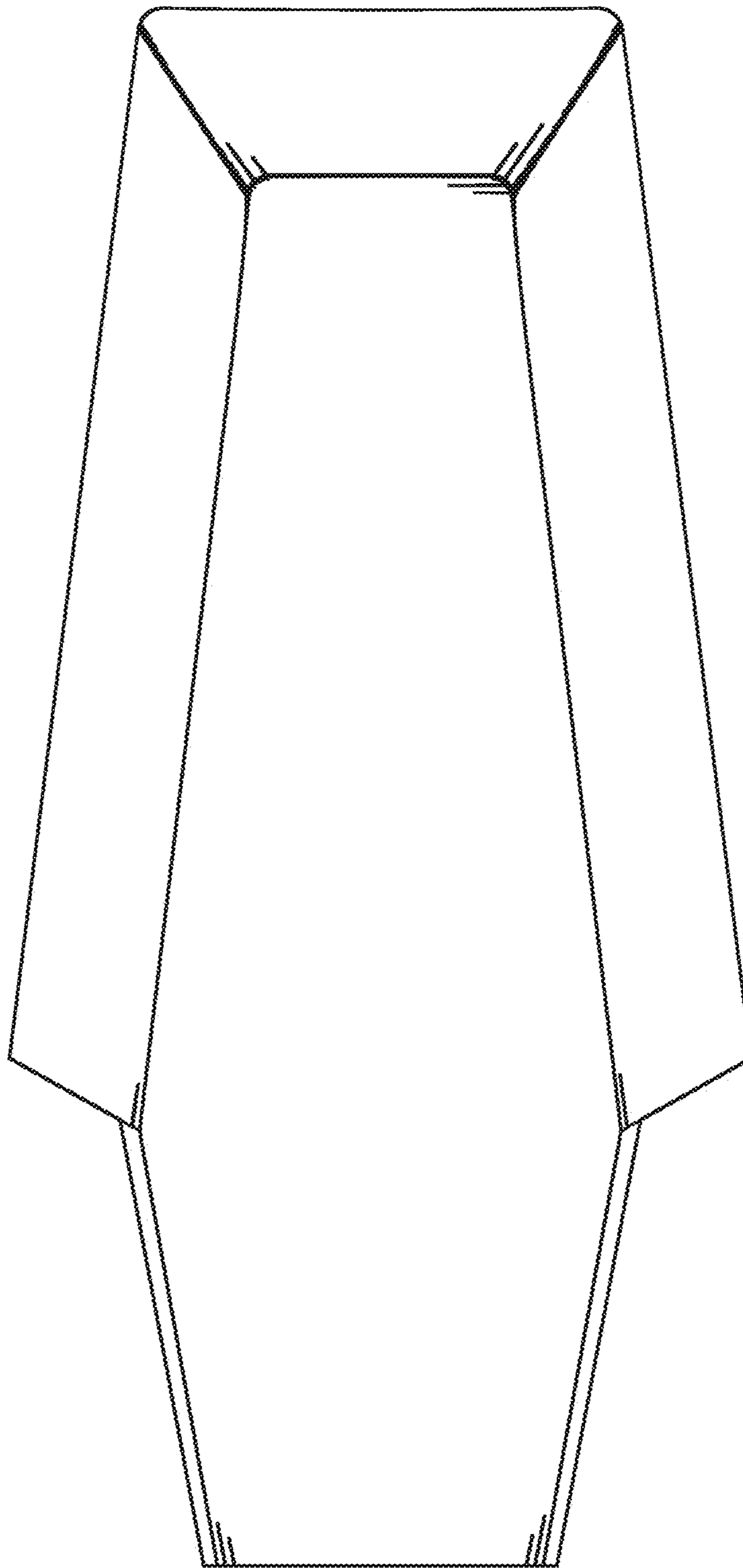
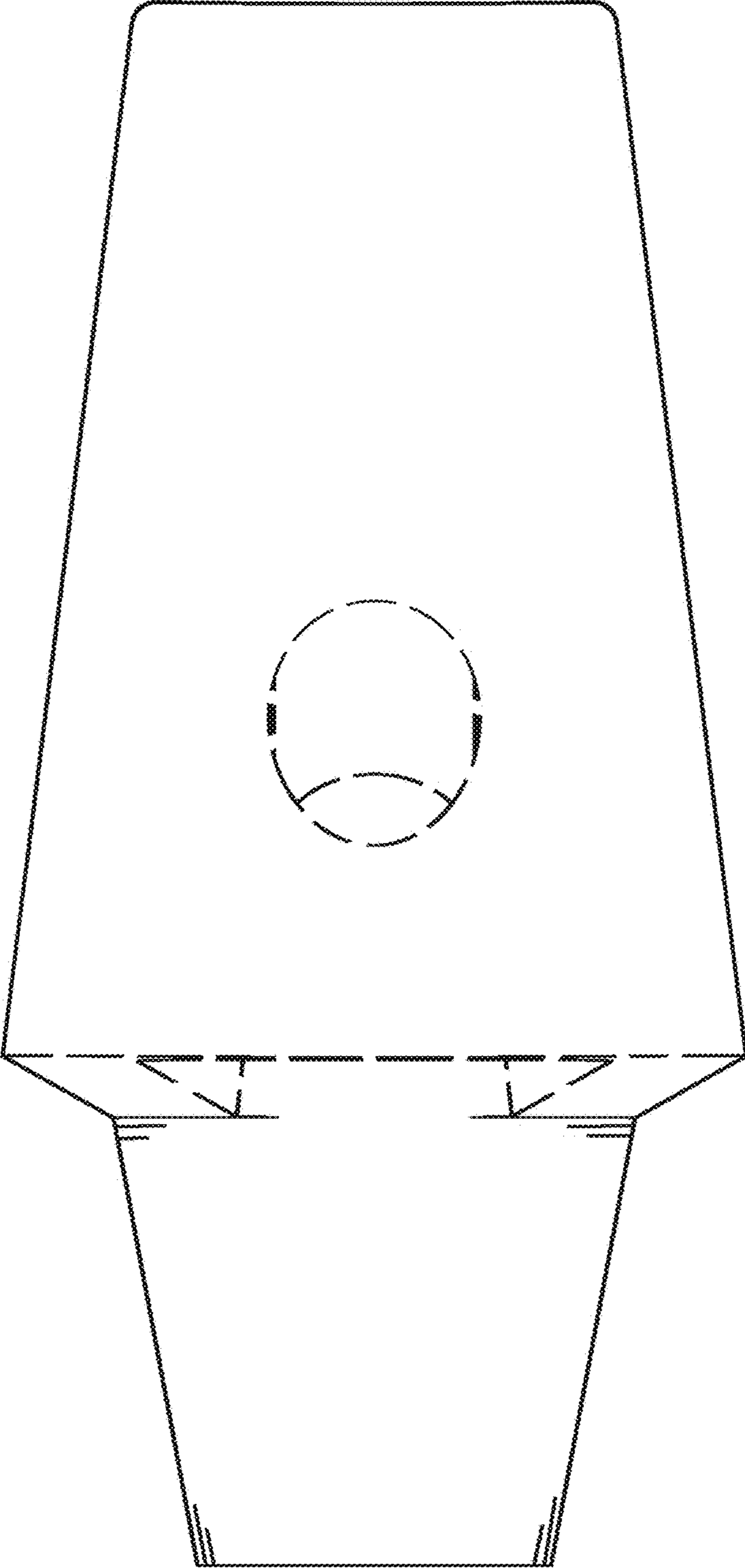
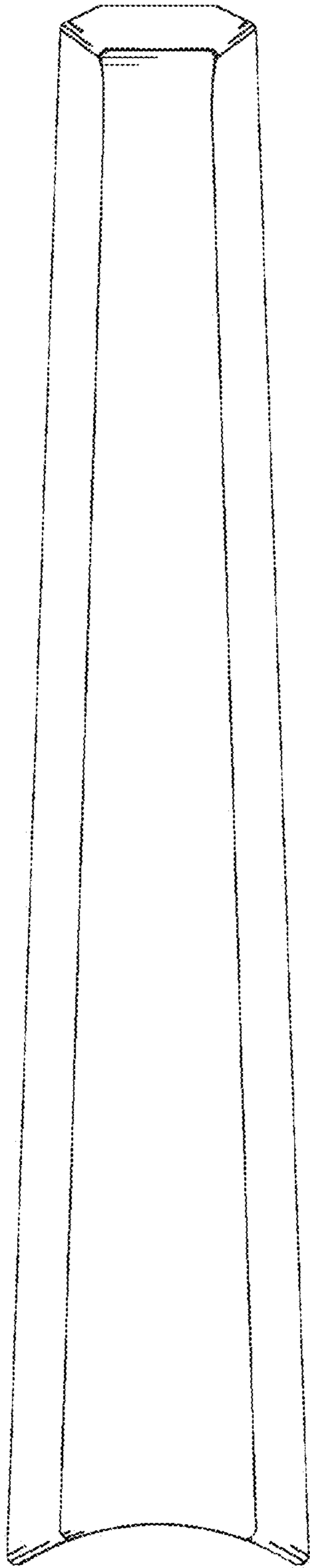


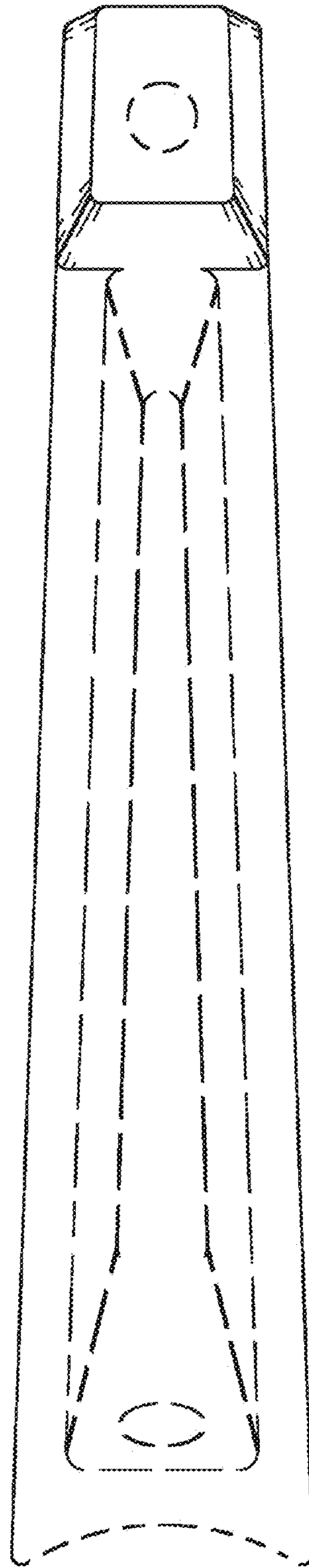
FIG. 5



**FIG. 6**



**FIG. 7**





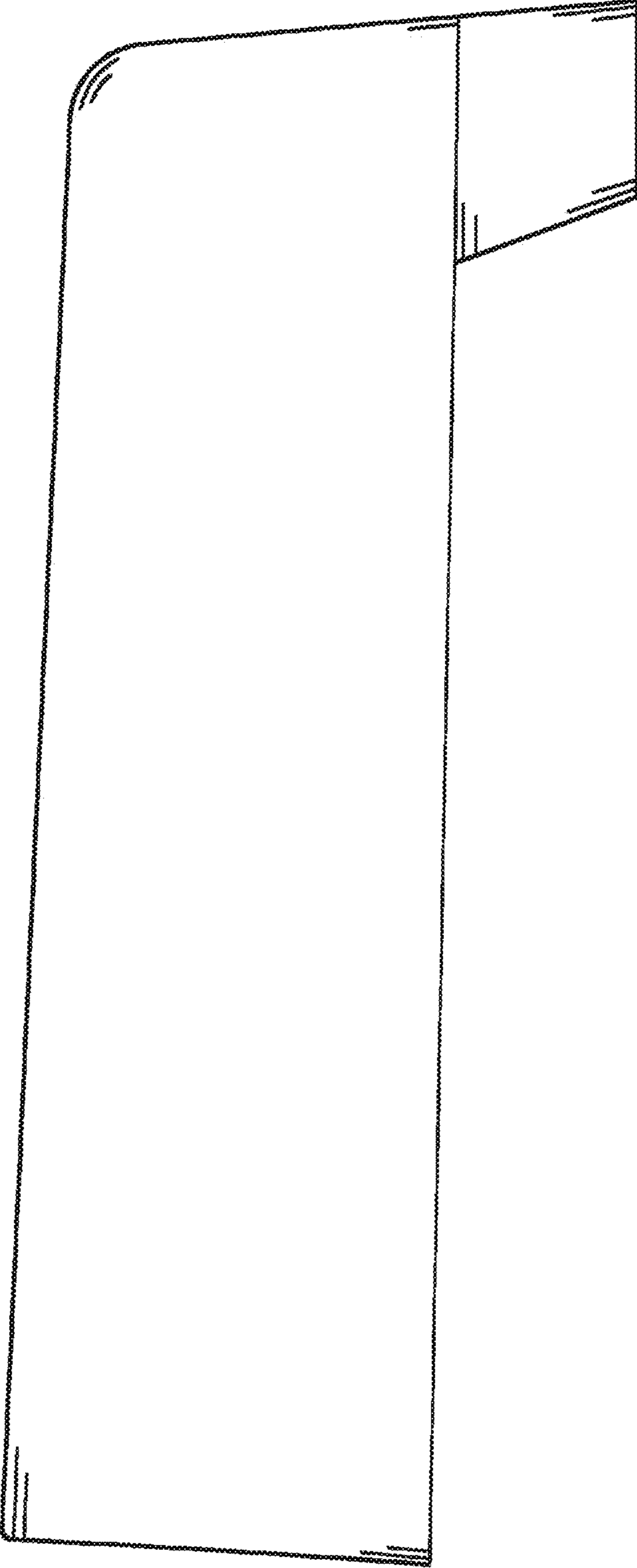


FIG. 8

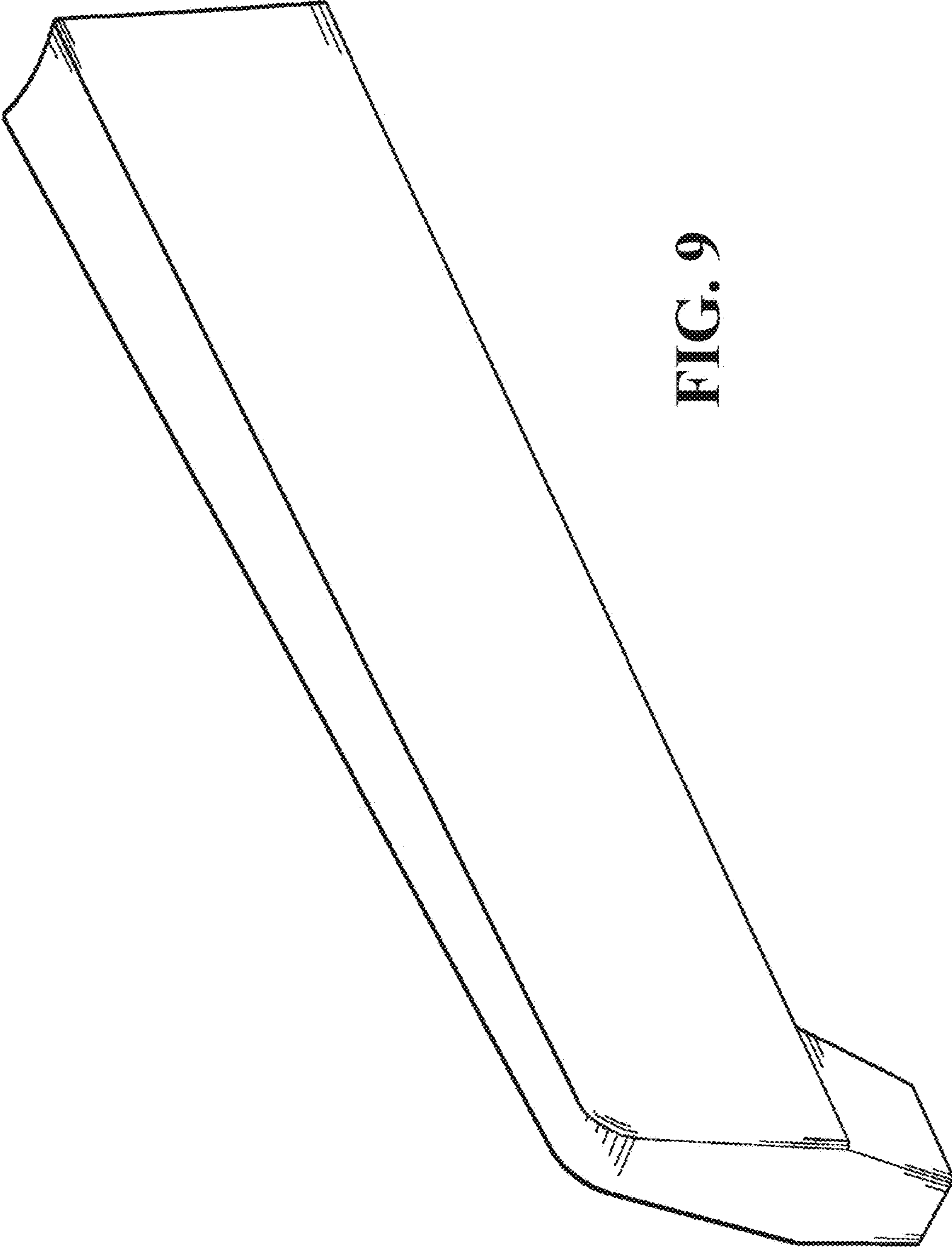


FIG. 9

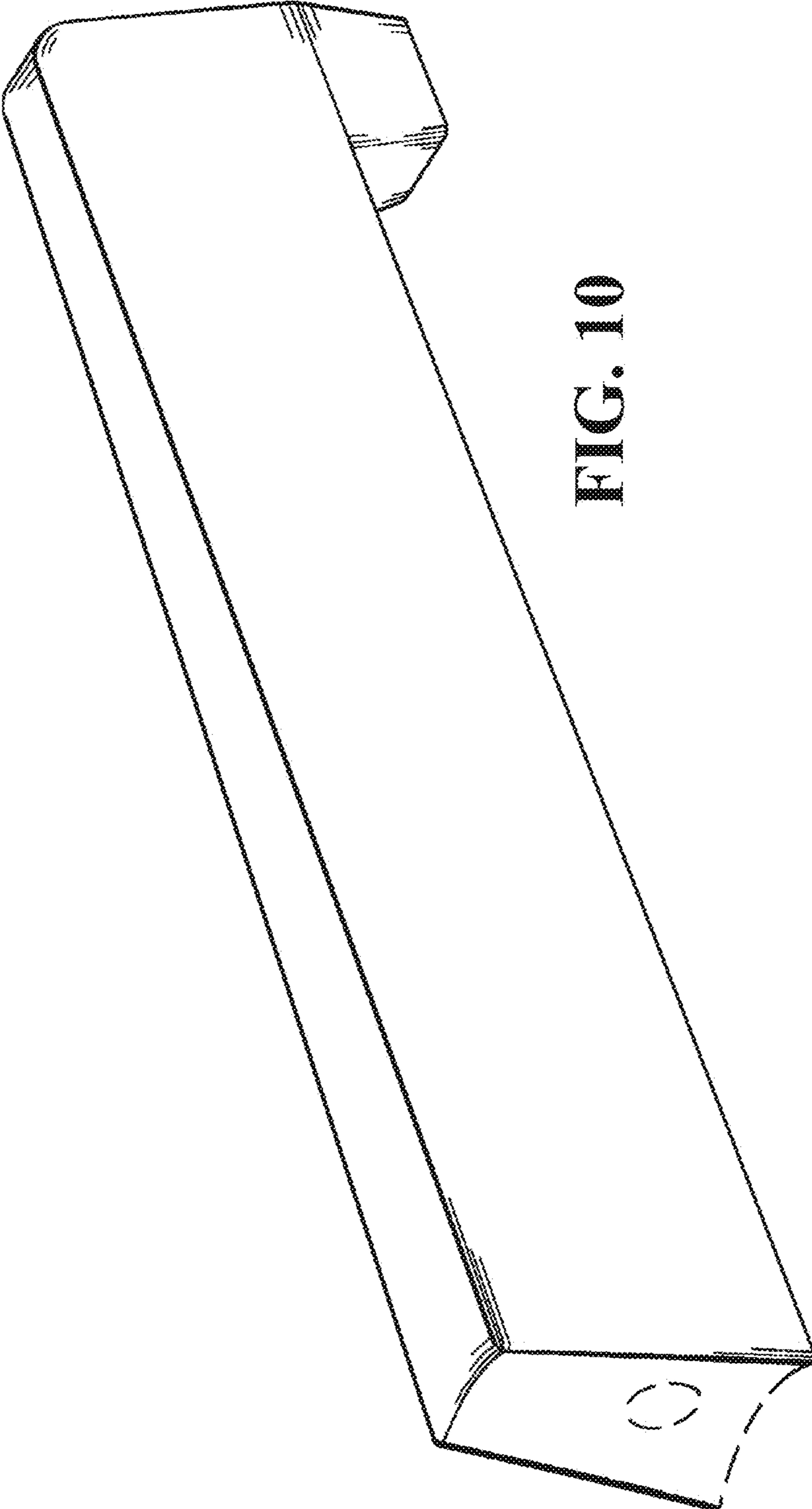


FIG. 10

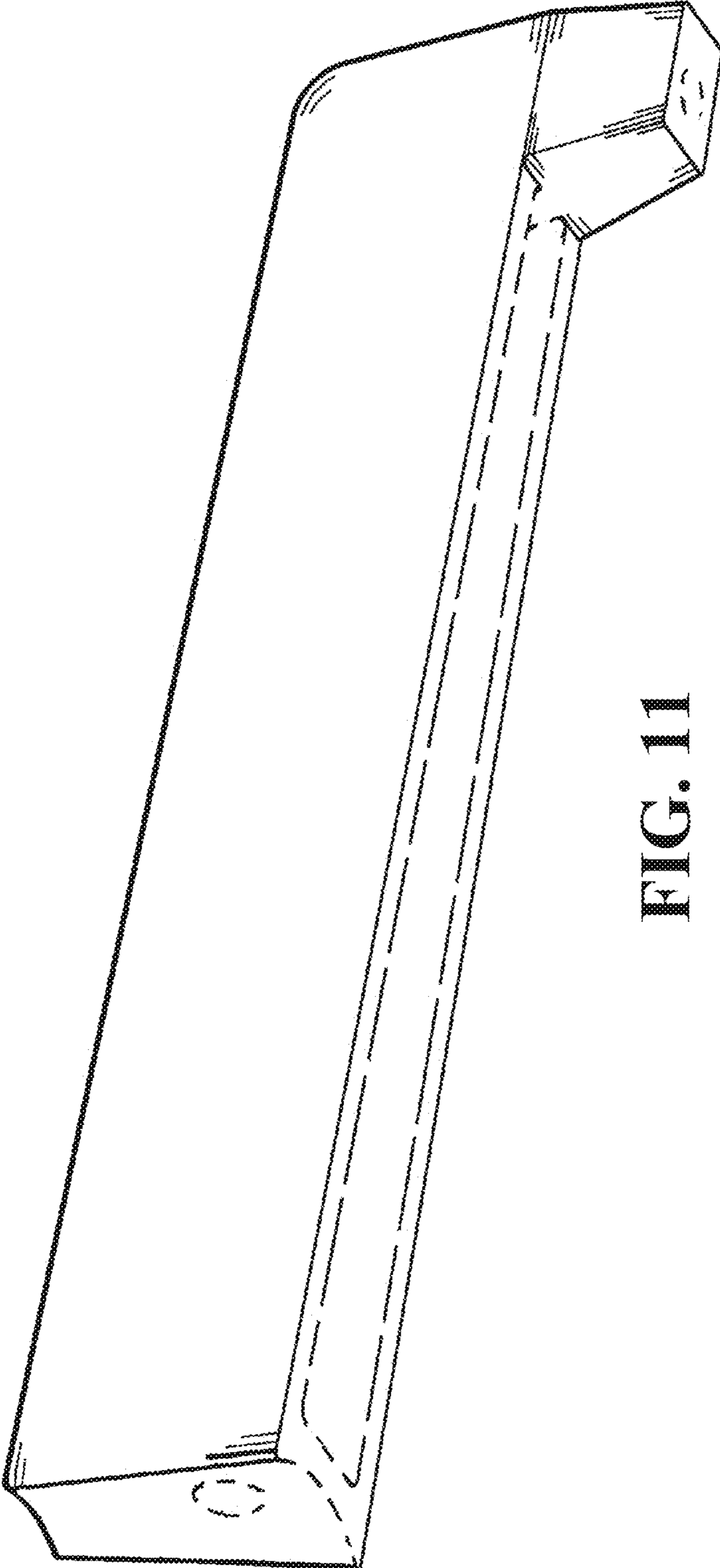
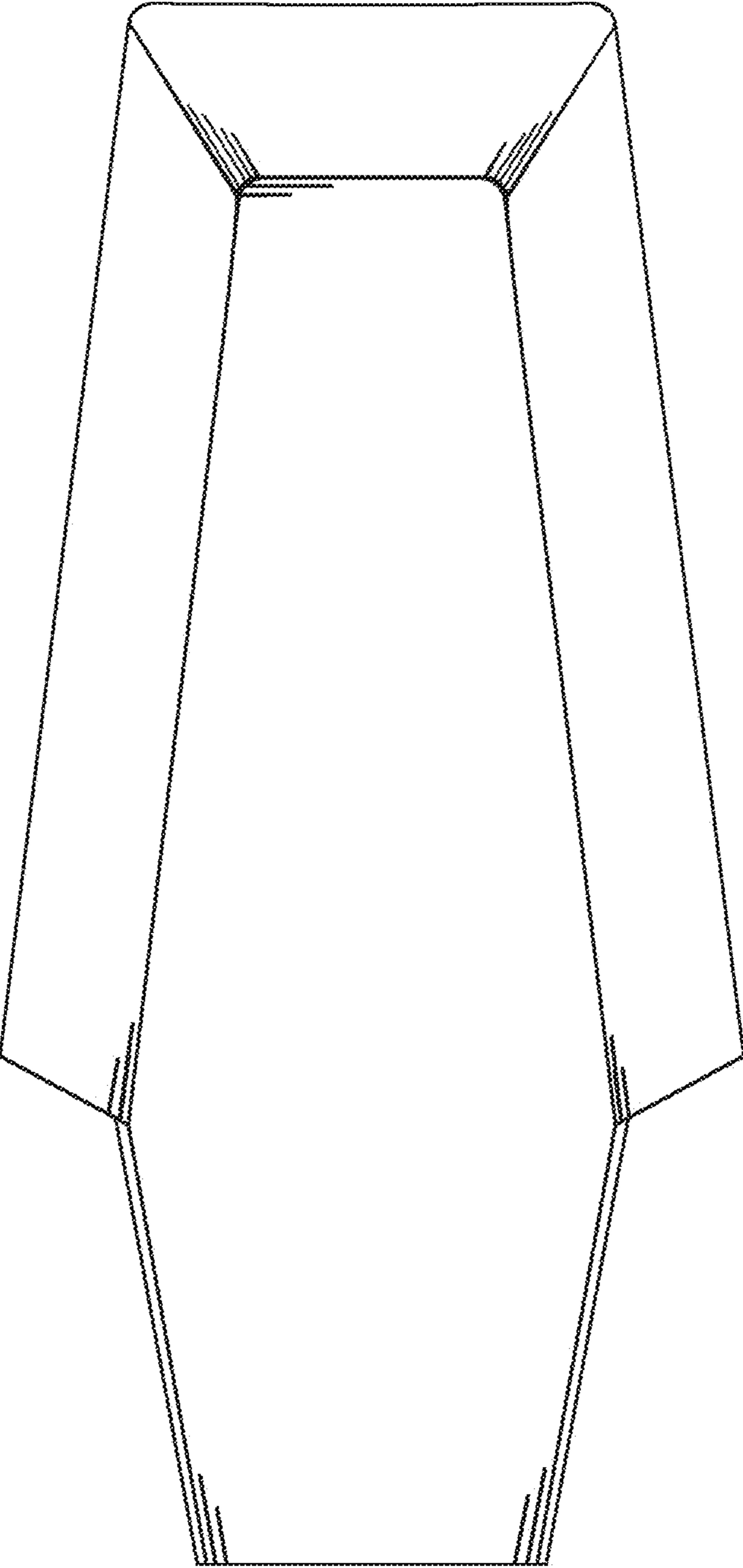
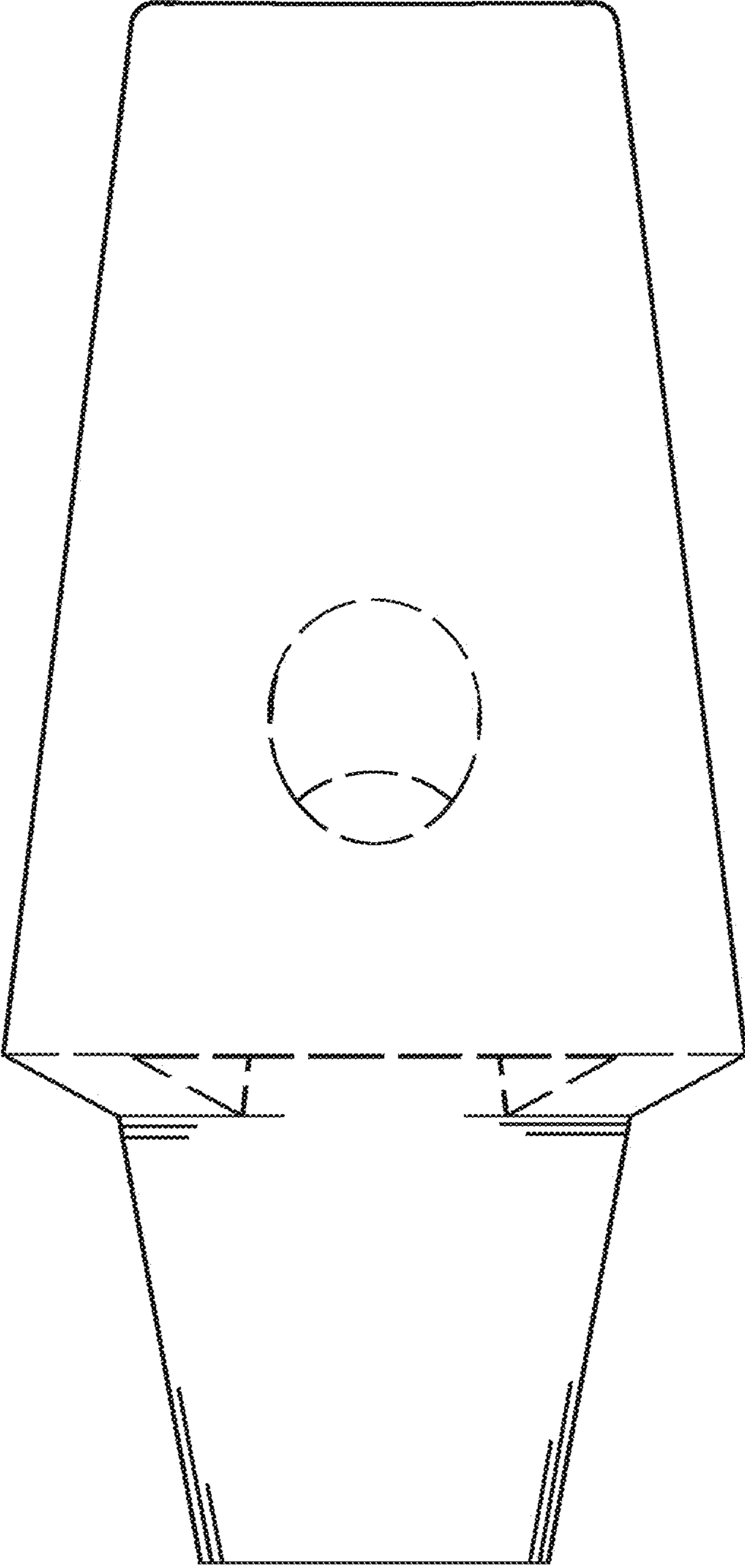


FIG. 11

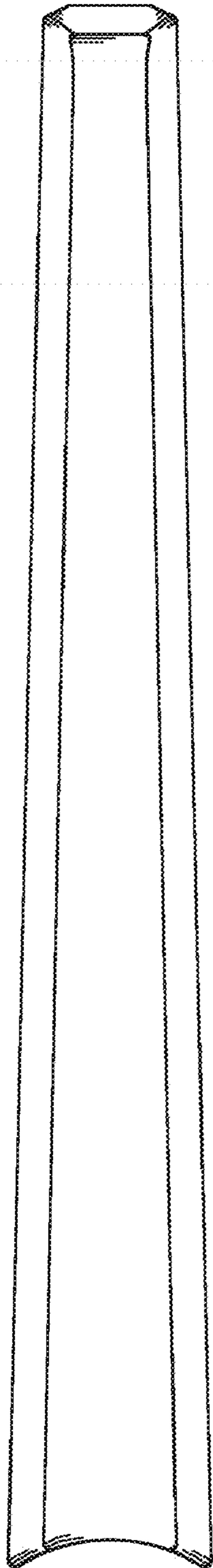
**FIG. 12**



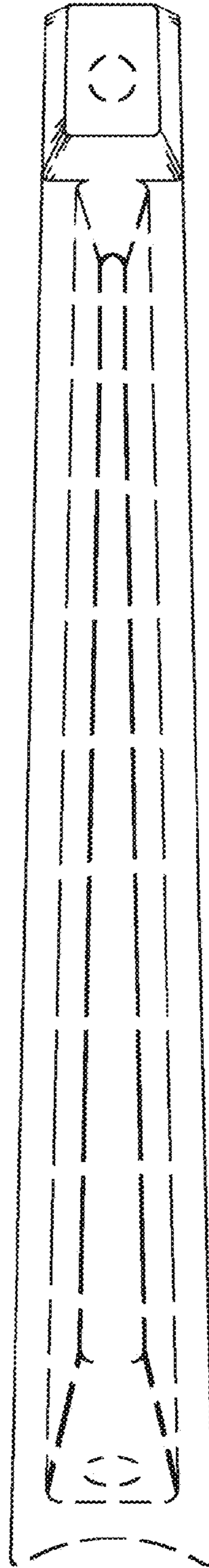
**FIG. 13**



**FIG. 14**



**FIG. 15**



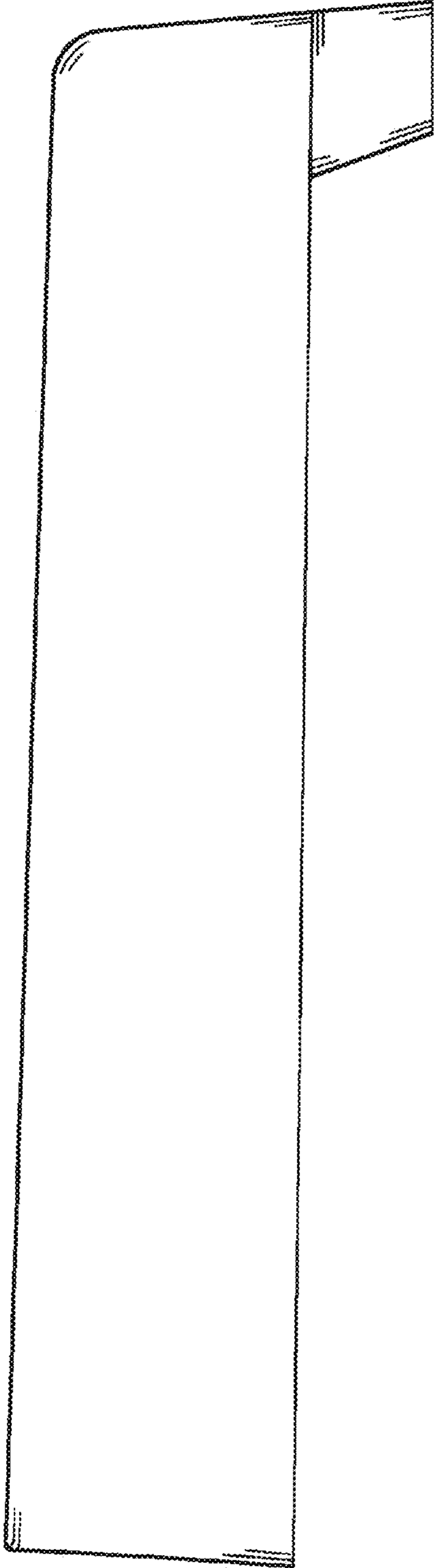


FIG. 16



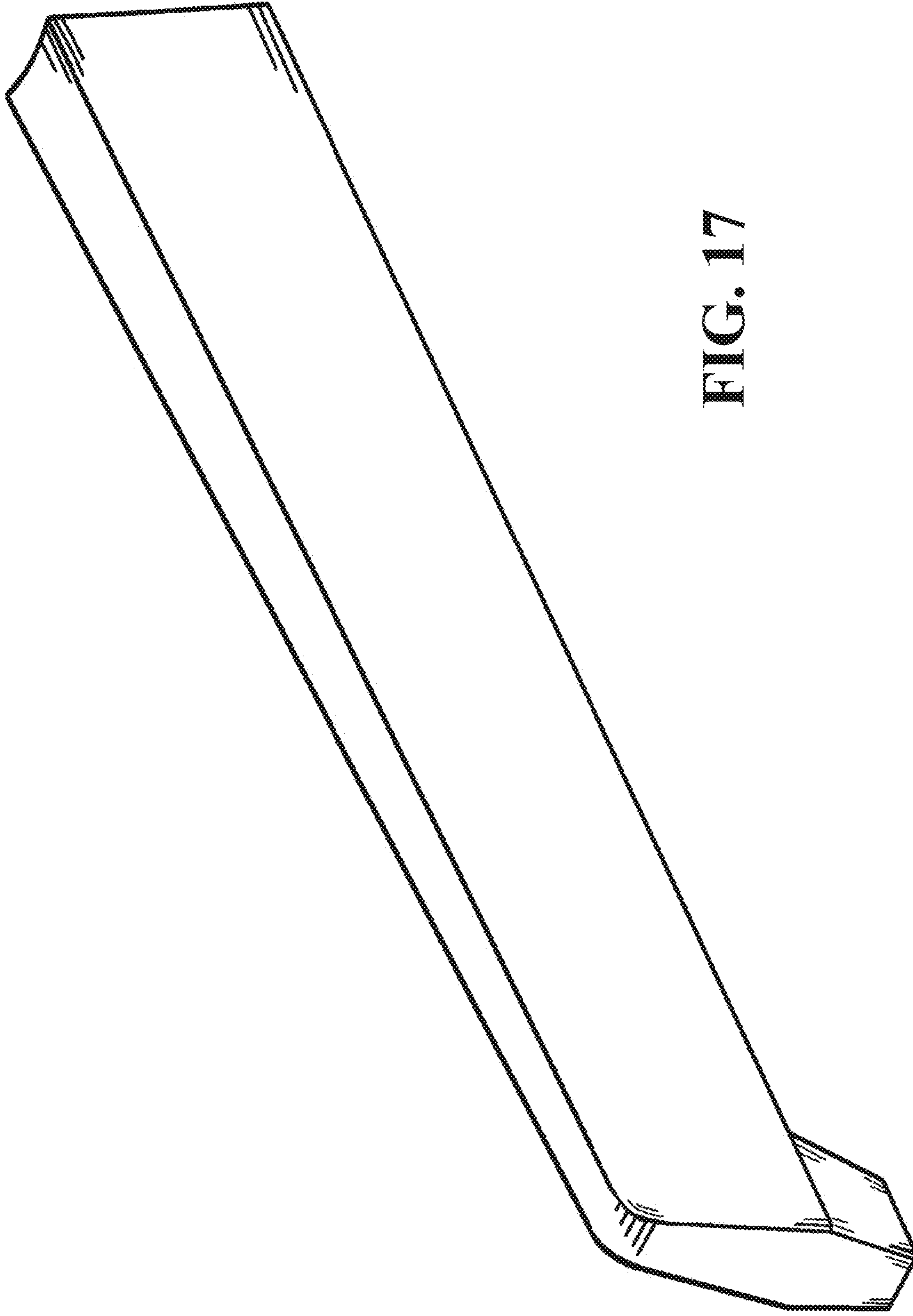


FIG. 17

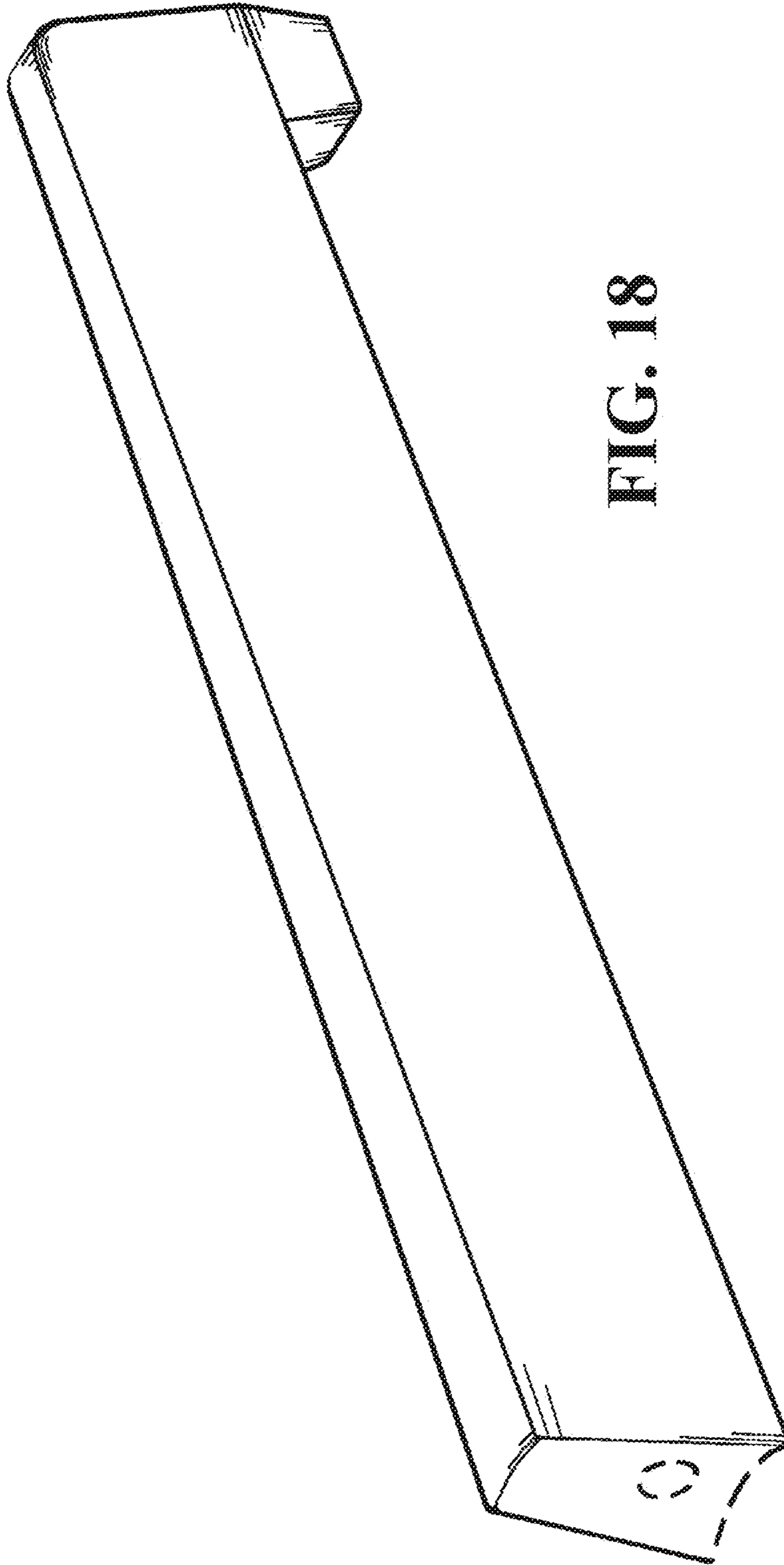


FIG. 18

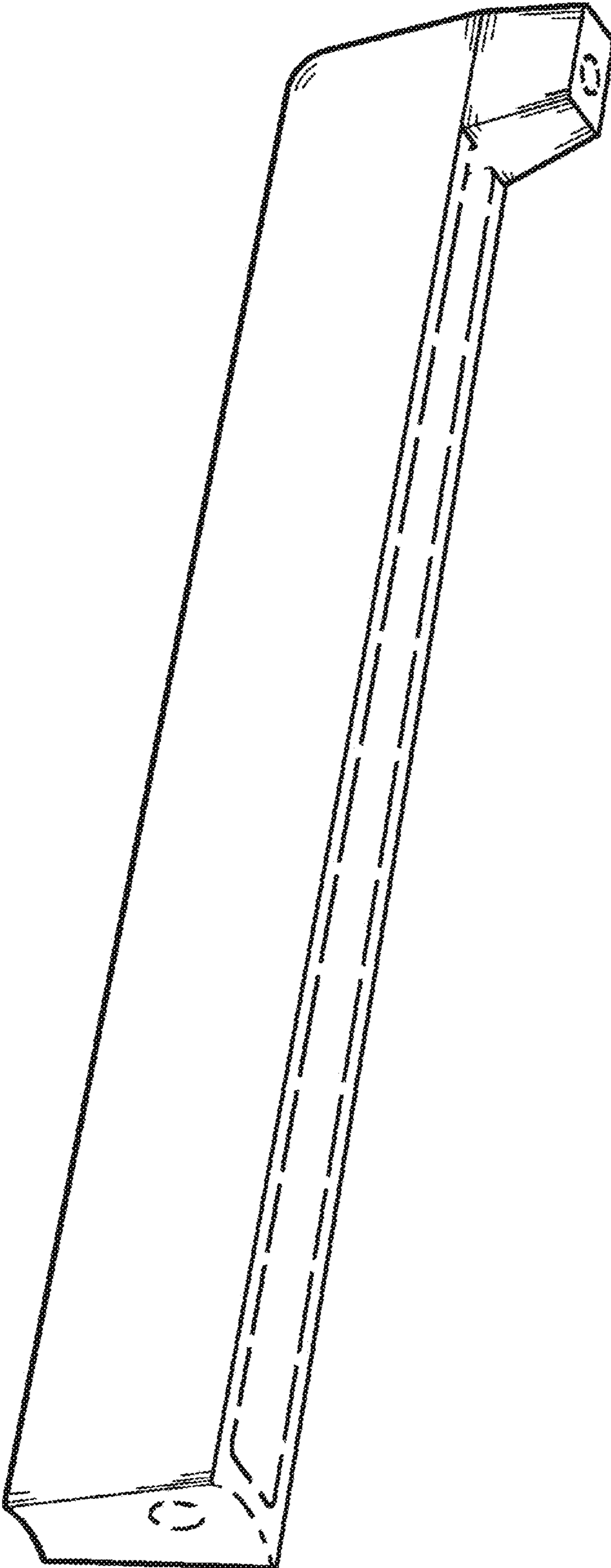


FIG. 19

**FIG. 20**

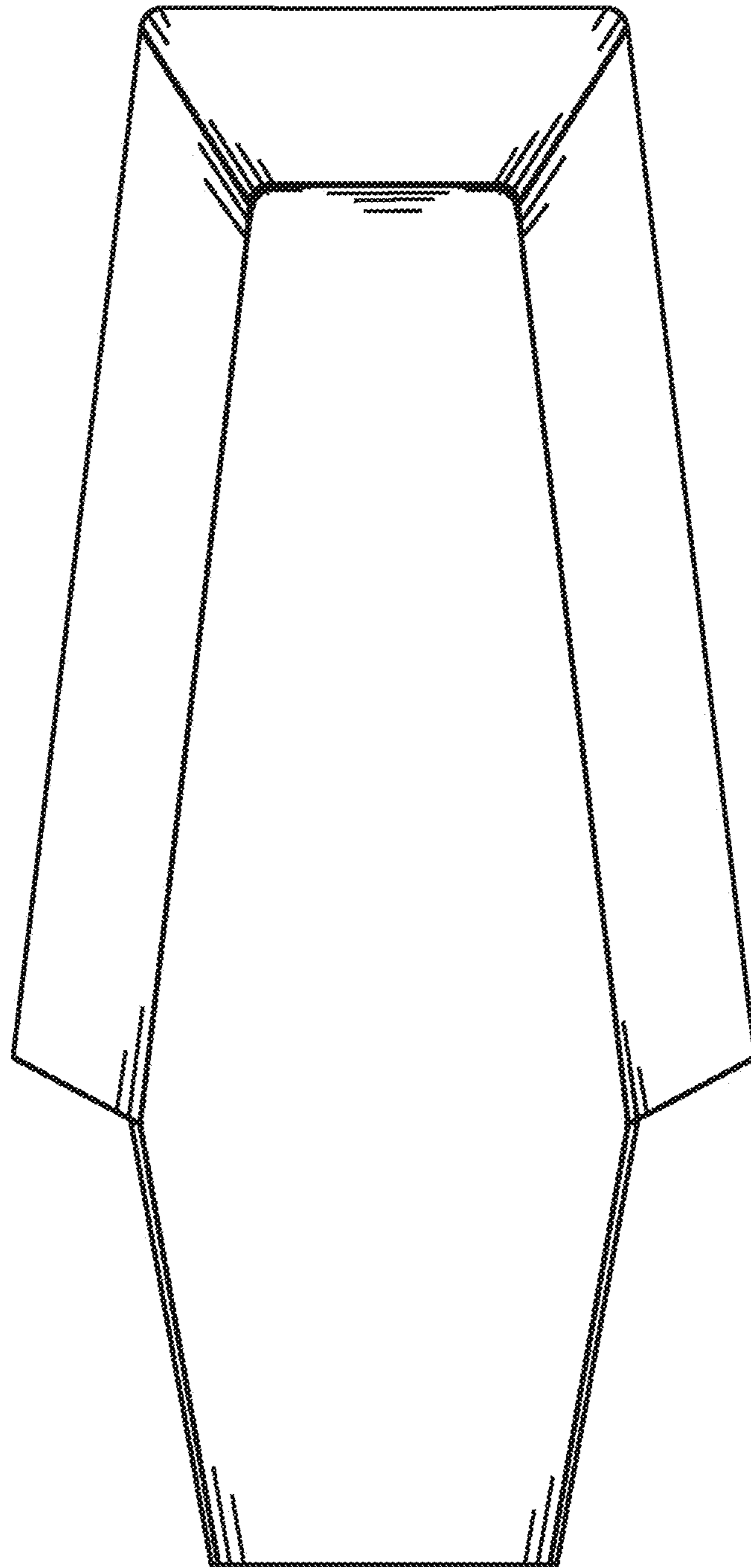


FIG. 21

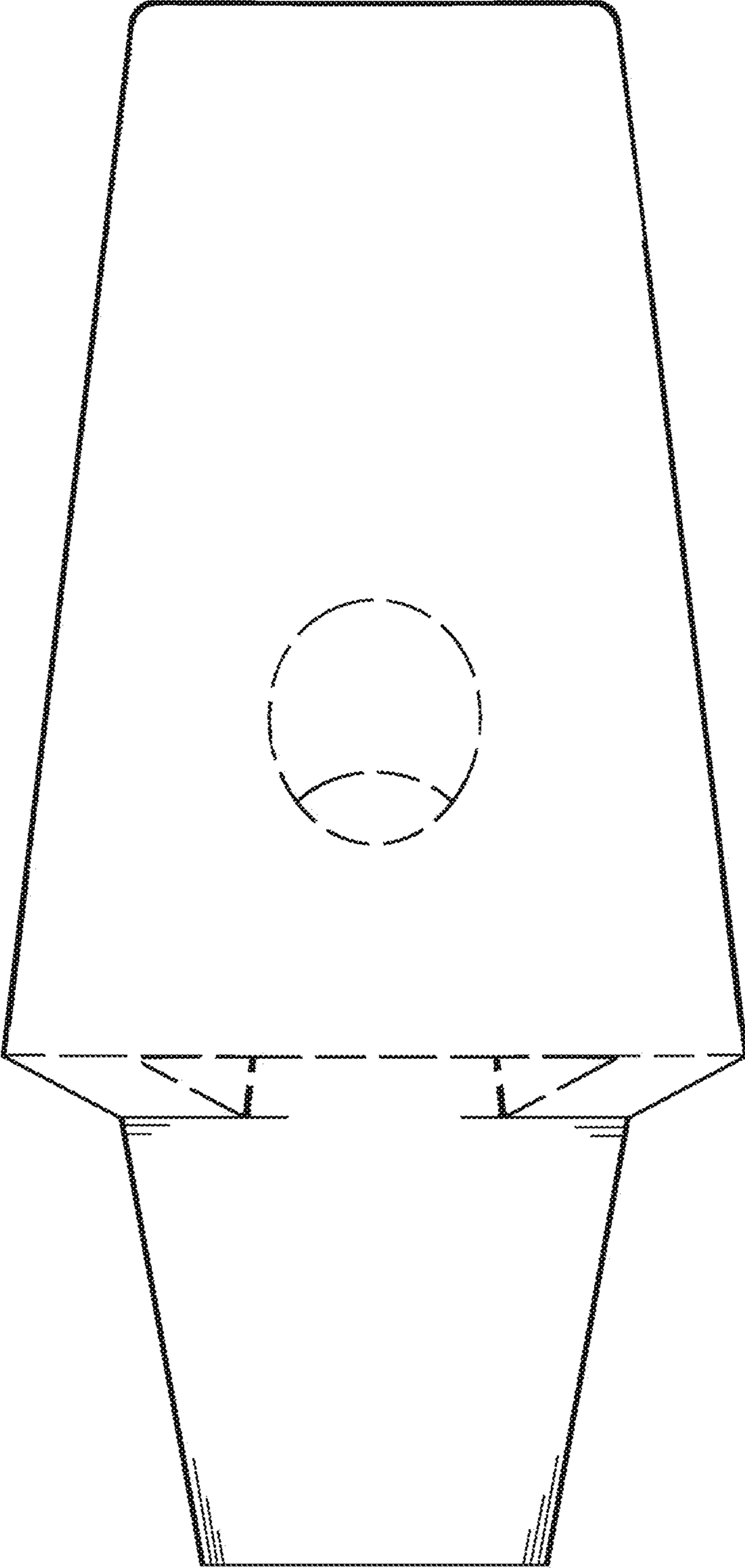


FIG. 22

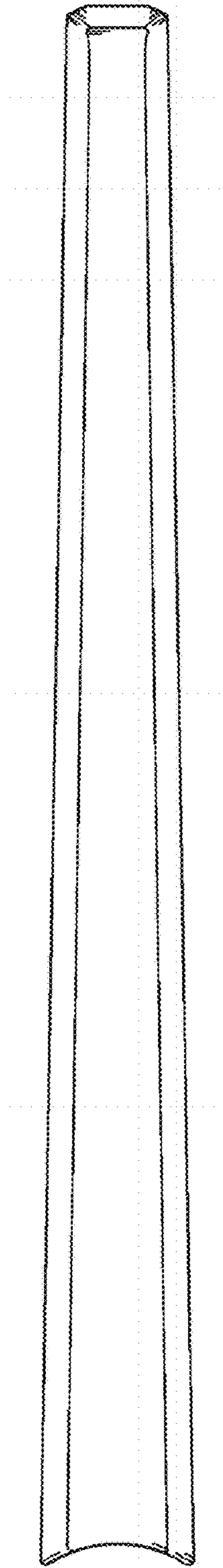
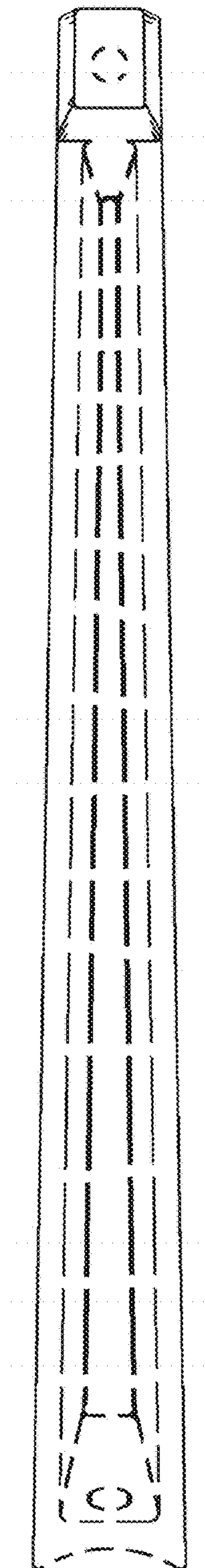


FIG. 23



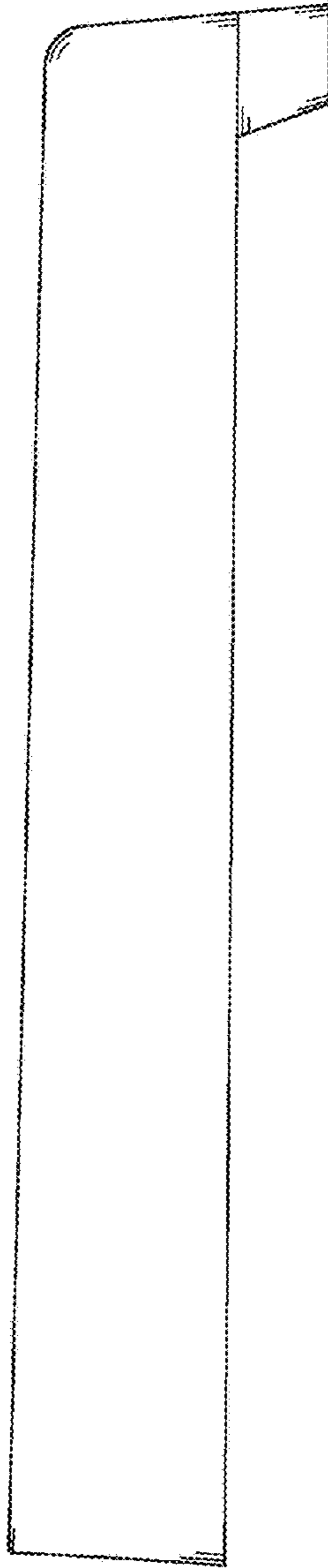


FIG. 24

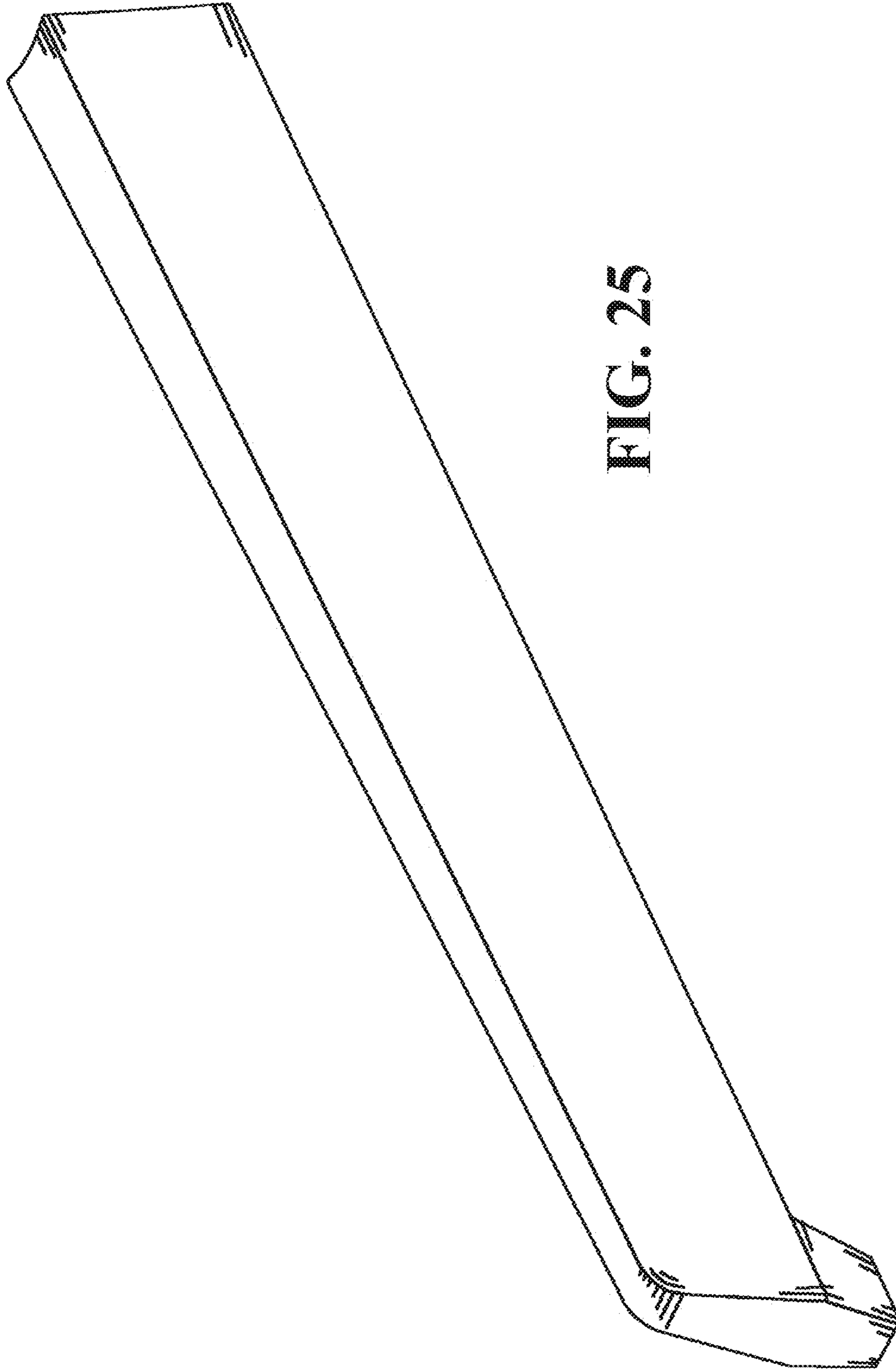


FIG. 25



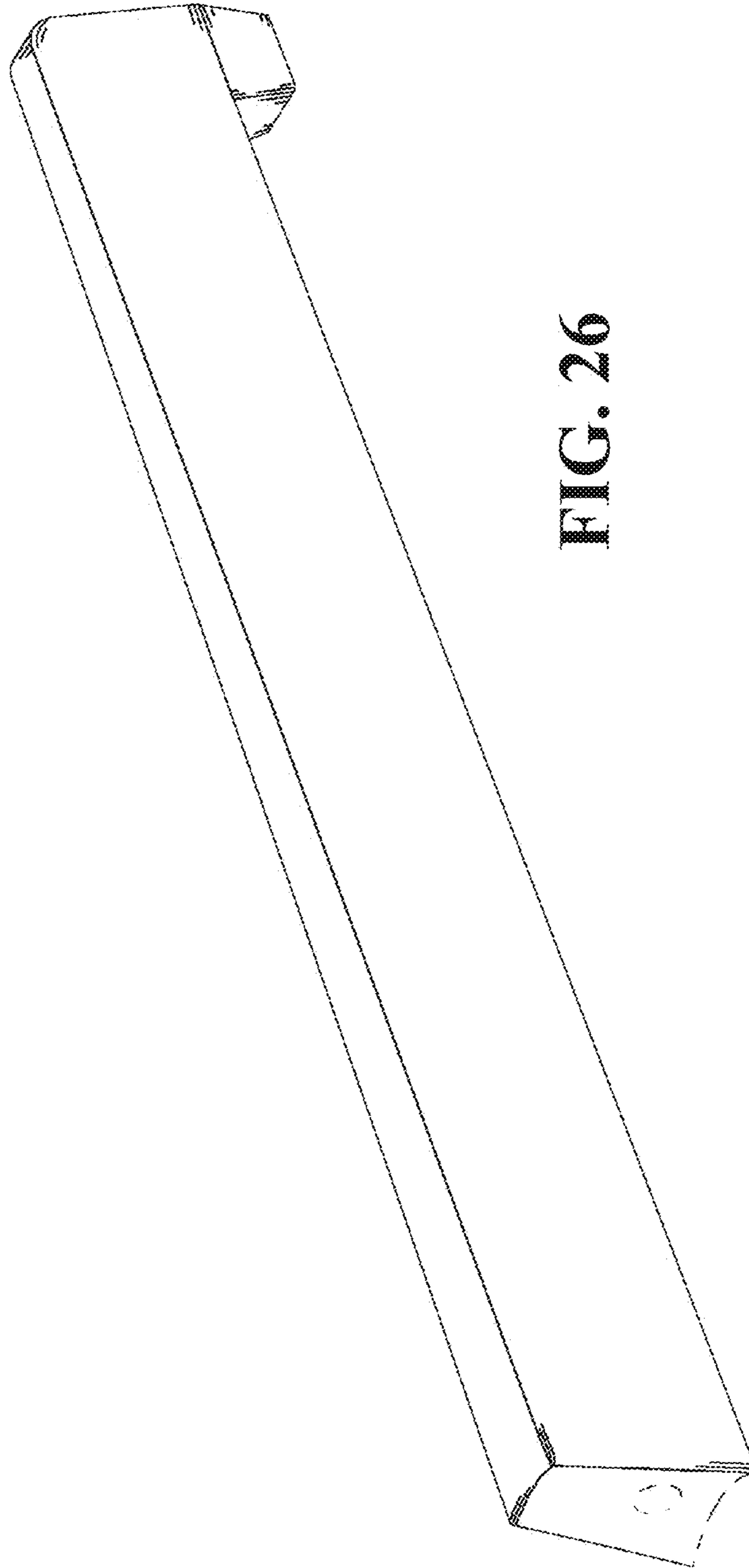


FIG. 26

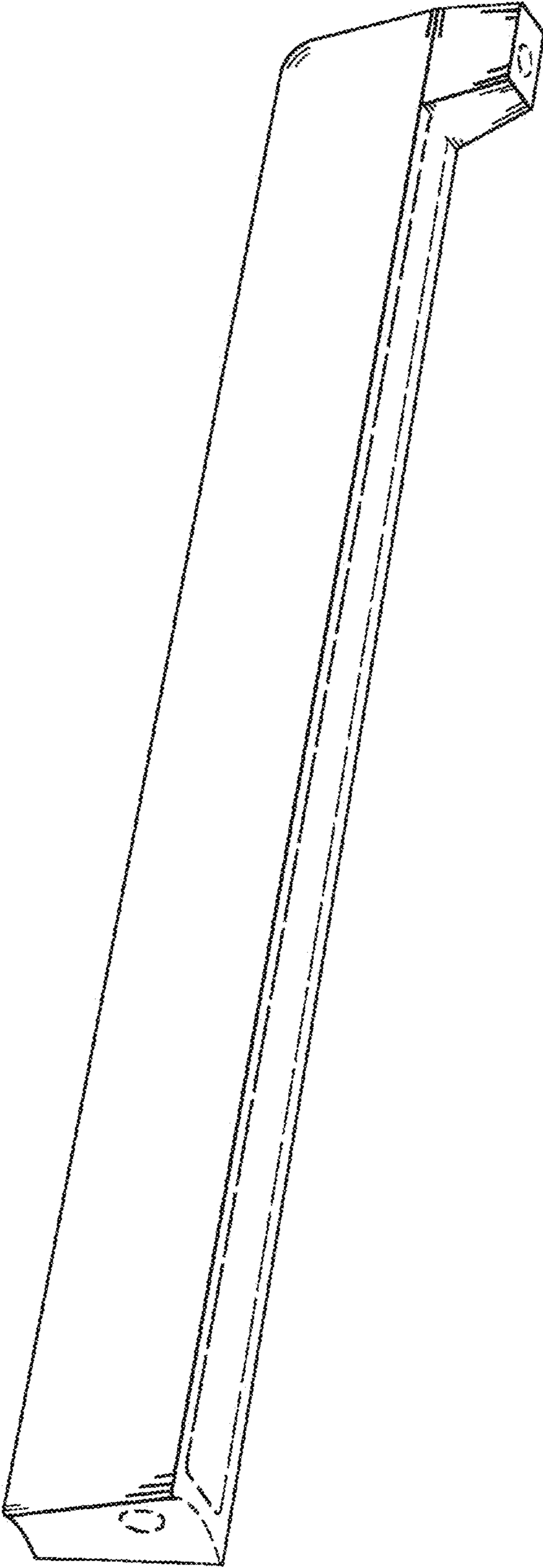
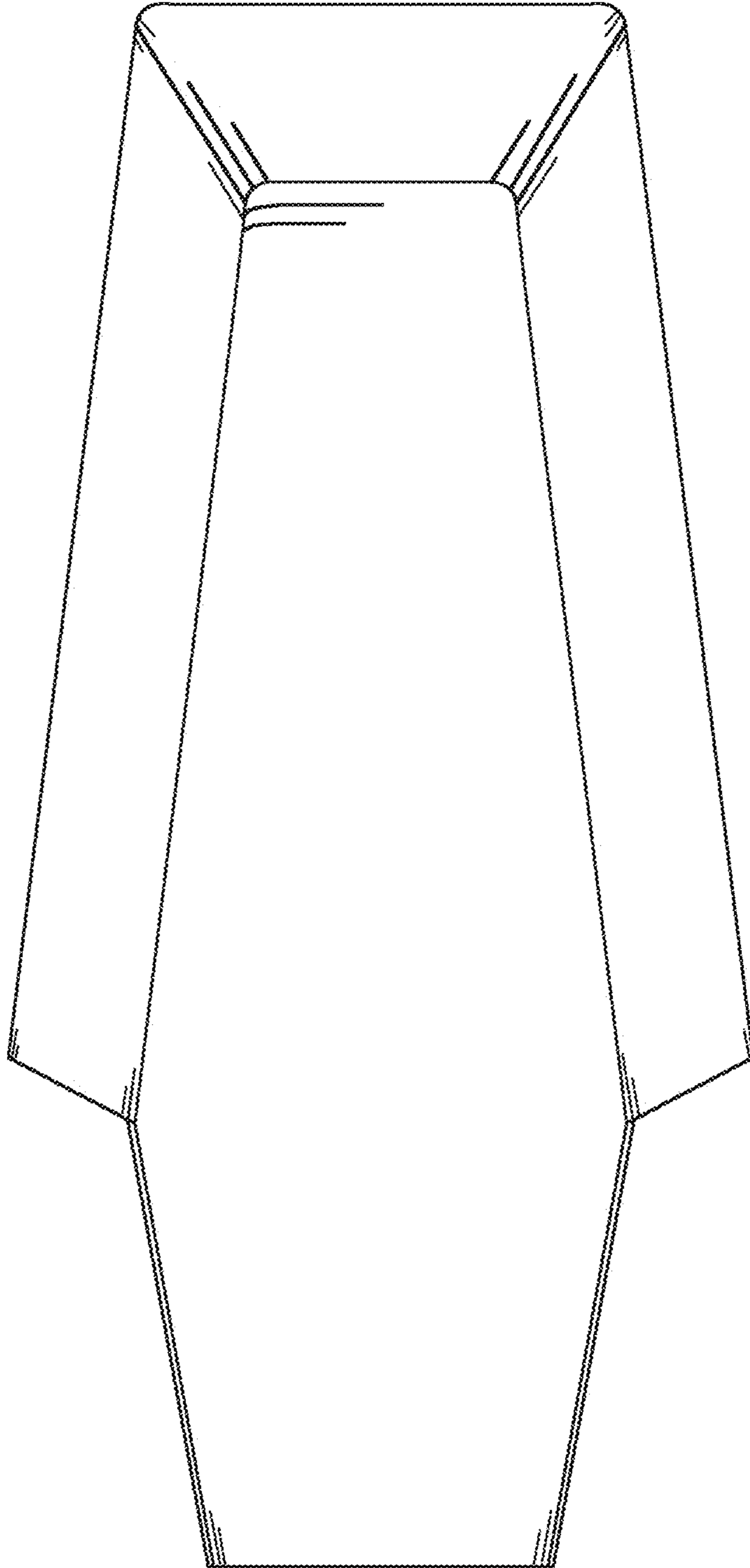


FIG. 27

**FIG. 28**



**FIG. 29**

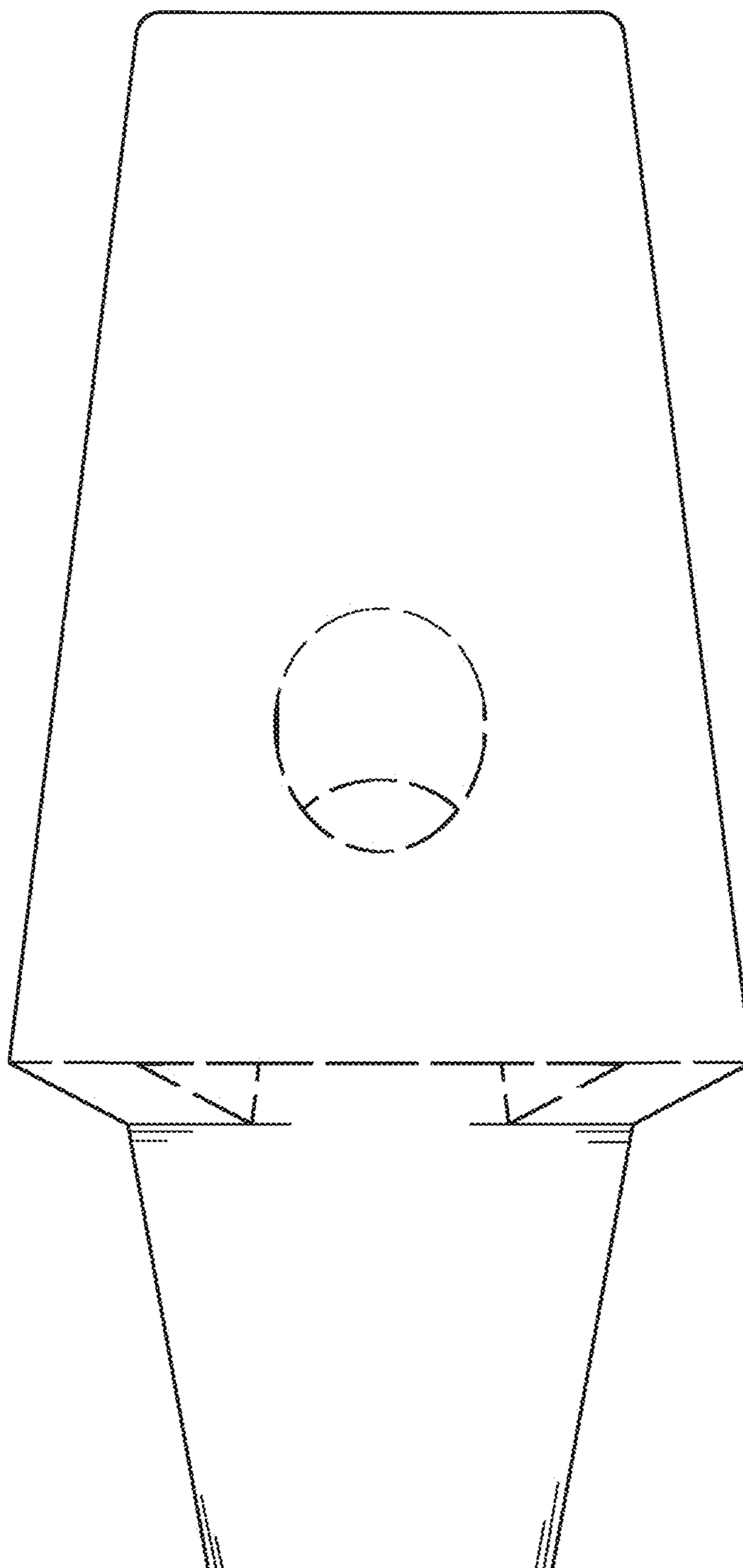


FIG. 30

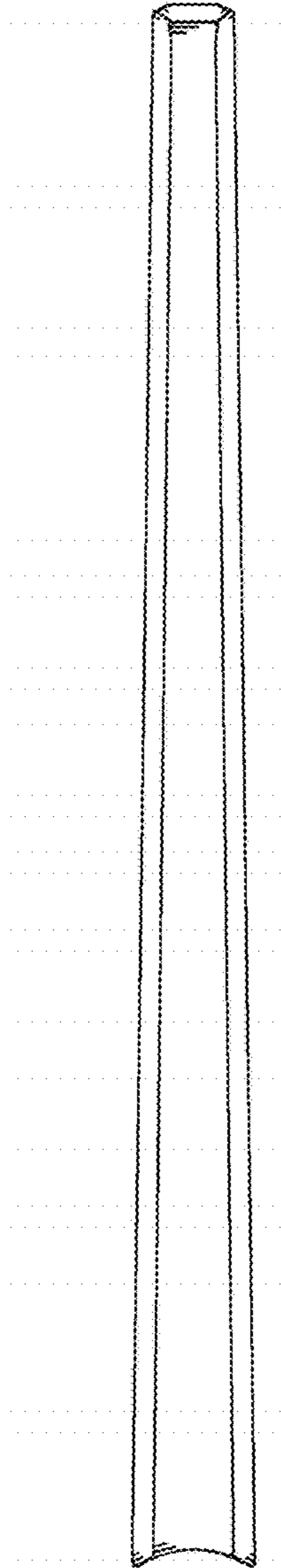
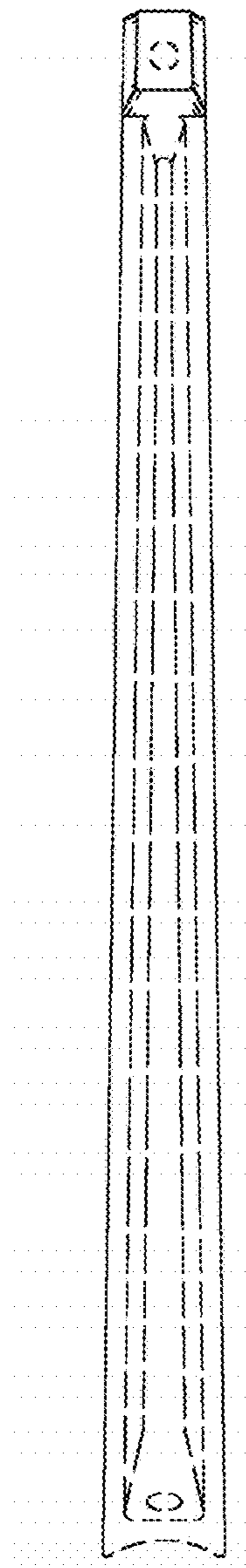


FIG. 31



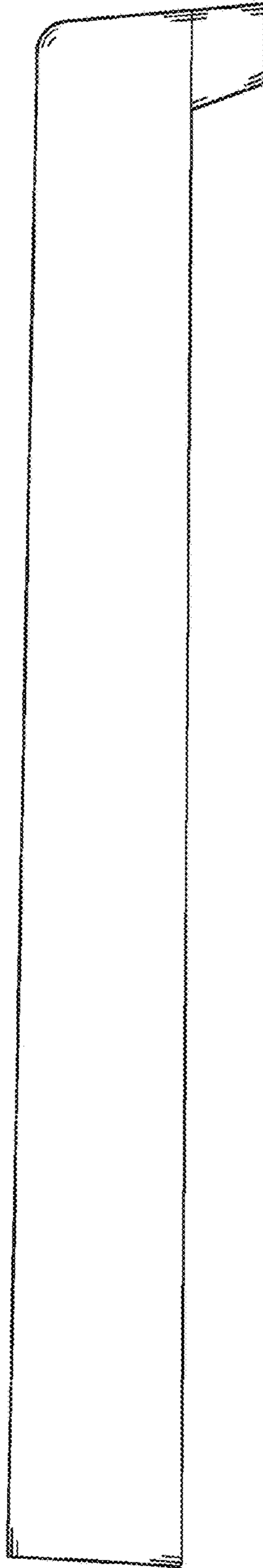


FIG. 32

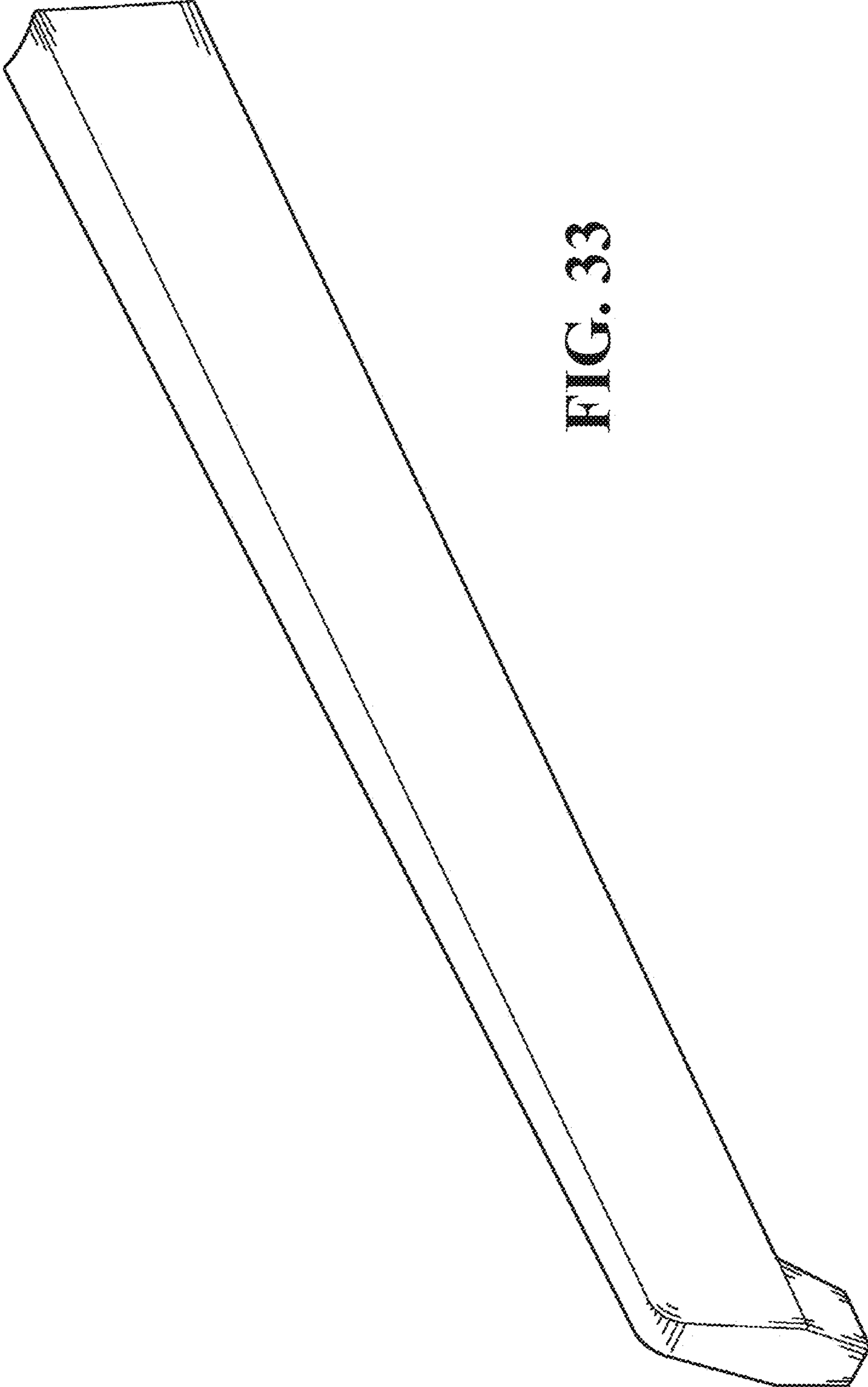


FIG. 33

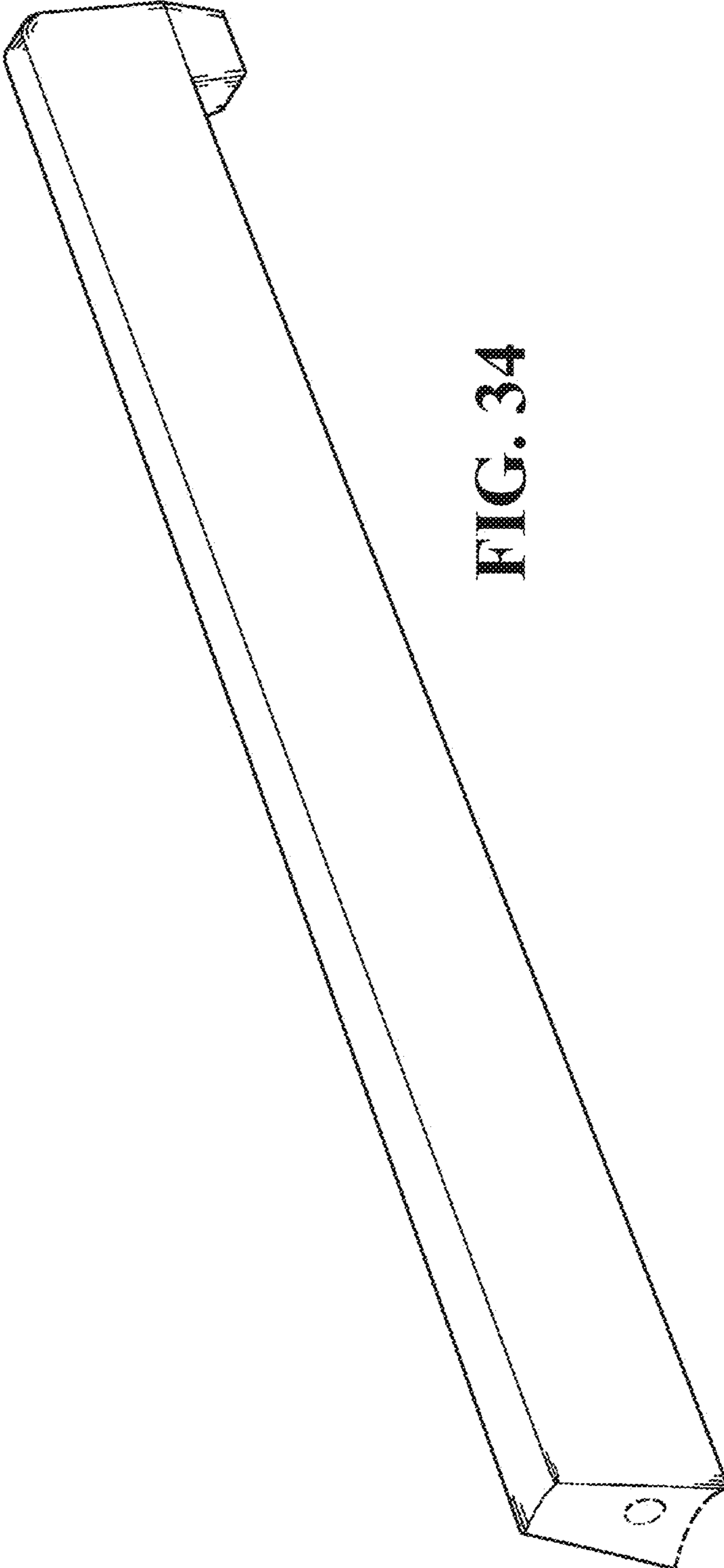


FIG. 34



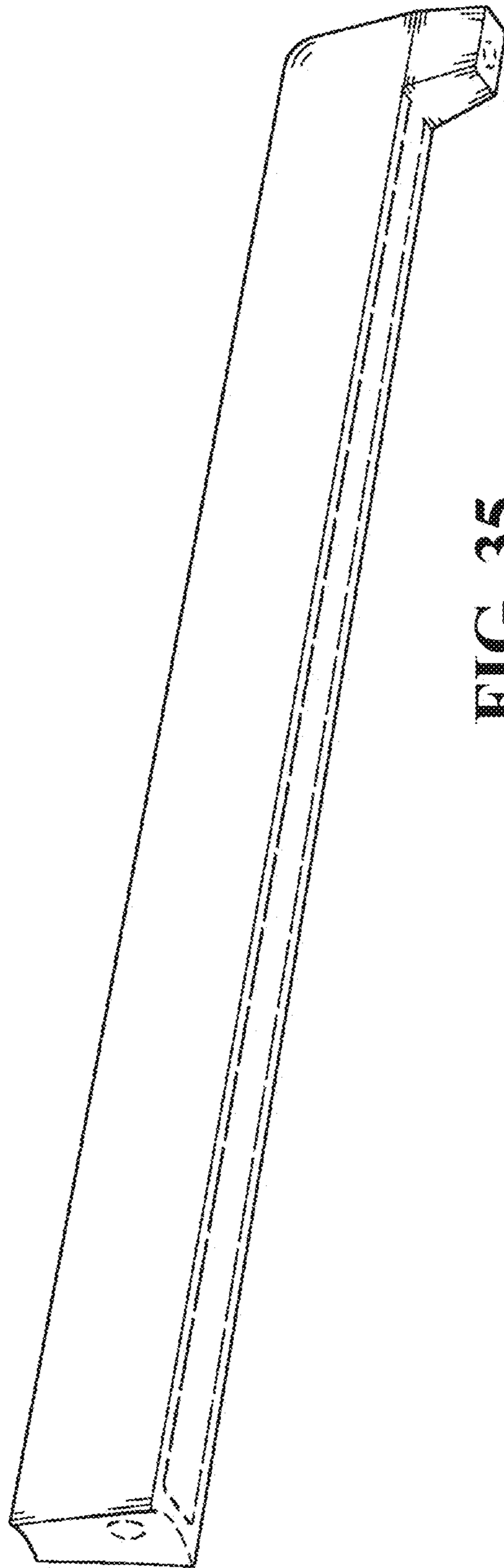
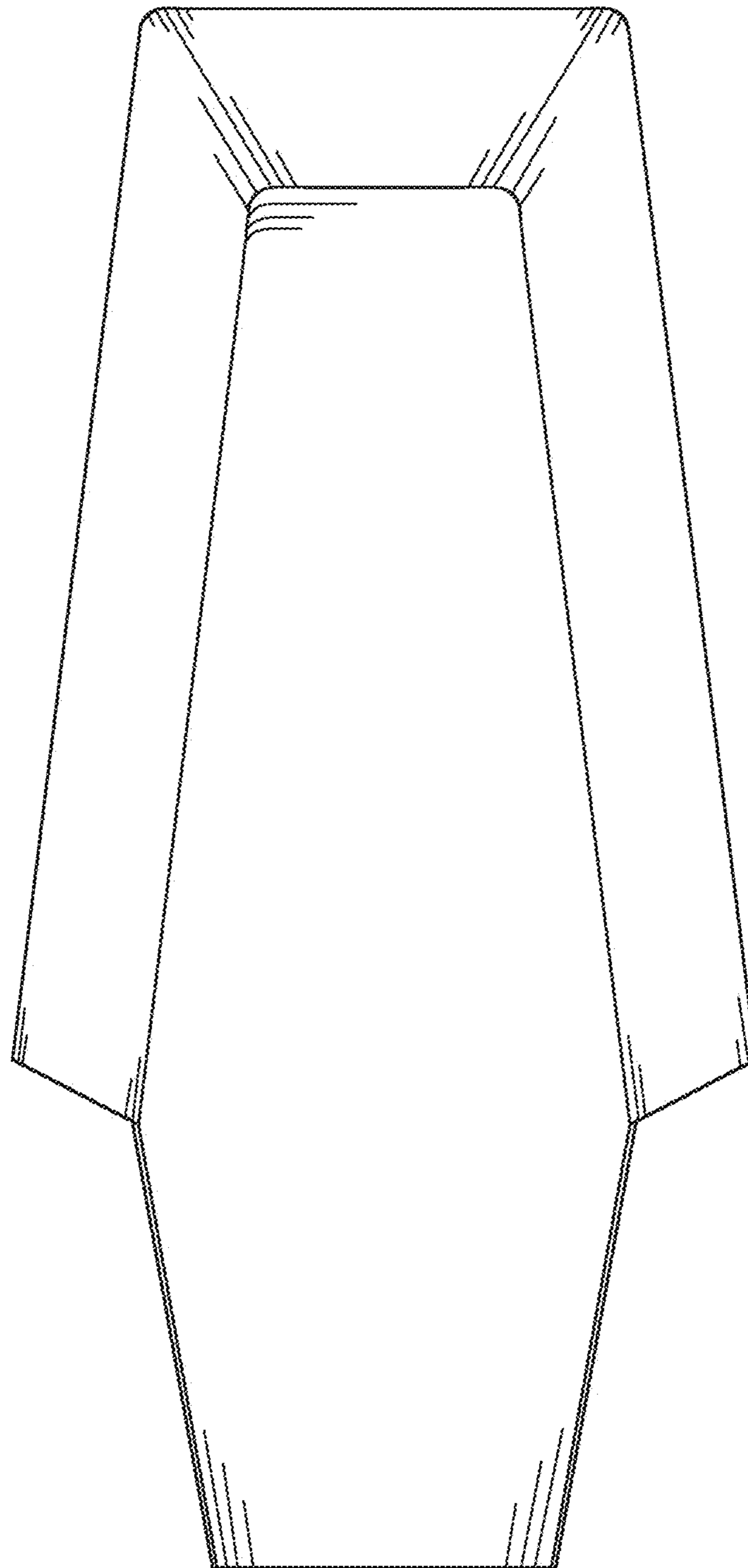
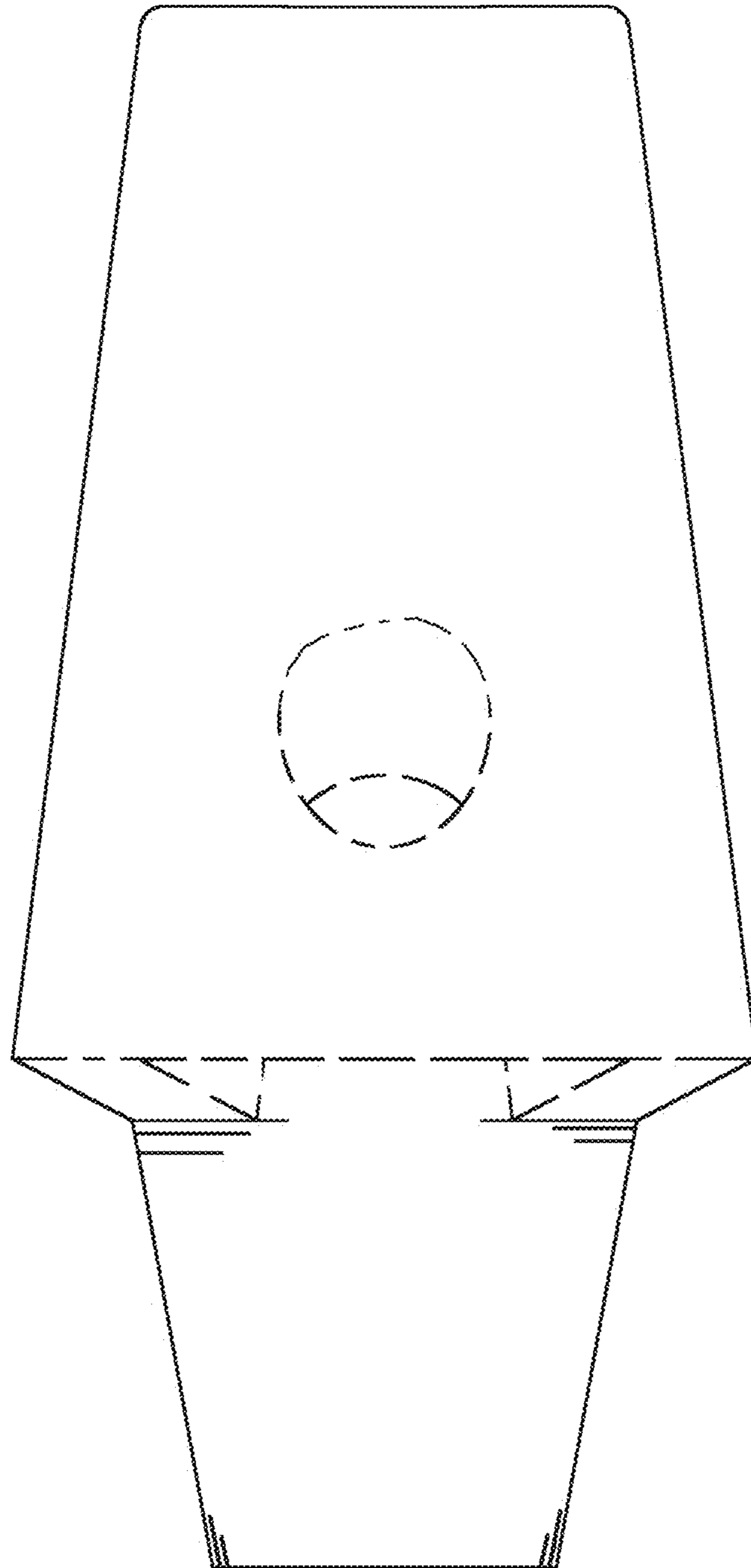


FIG. 35

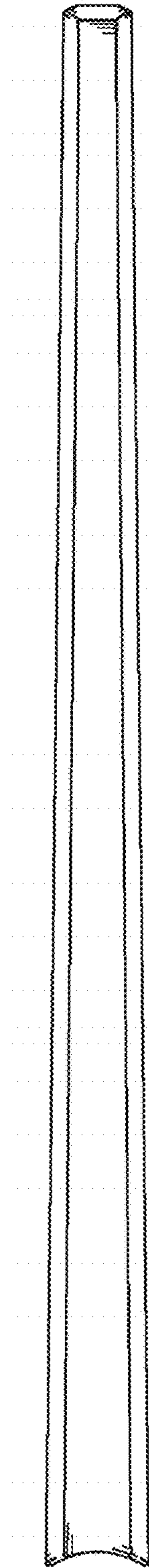
**FIG. 36**



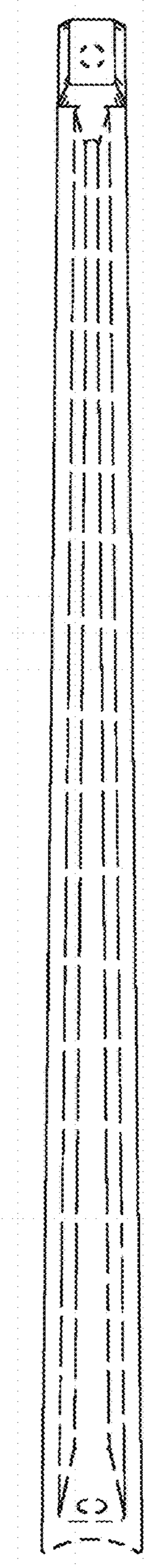
**FIG. 37**



**FIG. 38**



**FIG. 39**



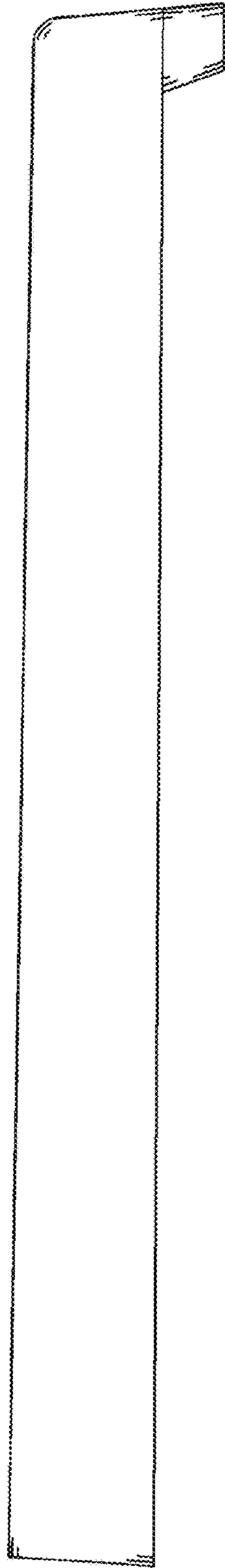


FIG. 40