



US00D805821S

(12) **United States Design Patent** (10) **Patent No.:** **US D805,821 S**  
**Price et al.** (45) **Date of Patent:** **\*\* Dec. 26, 2017**

(54) **OUTDOOR CABINET**

(71) Applicant: **Mortarless Technologies LLC**,  
Rochester, MN (US)  
(72) Inventors: **Brian A. Price**, Rochester, MN (US);  
**Drew Wohlfiel**, Mantorville, MN (US)  
(73) Assignee: **Mortarless Technologies LLC**,  
Rochester, MN (US)

D219,443 S \* 12/1970 Hubel ..... D6/335  
D220,997 S \* 6/1971 Svezla ..... D6/335  
D236,935 S \* 9/1975 Frazelle ..... D6/683  
D256,644 S \* 9/1980 Marks ..... D6/683.1  
D297,083 S \* 8/1988 Olovsson ..... D6/683  
D362,125 S \* 9/1995 Crust ..... D6/349  
D365,932 S \* 1/1996 Reynolds ..... D30/101  
D368,604 S \* 4/1996 Gotham ..... D6/657  
D377,721 S \* 2/1997 Pohlman ..... D6/657

(Continued)

(\*\*) Term: **15 Years**

(21) Appl. No.: **29/552,789**

(22) Filed: **Jan. 26, 2016**

(51) **LOC (10) Cl.** ..... **06-03**

(52) **U.S. Cl.**  
USPC ..... **D6/699.2; D7/403**

(58) **Field of Classification Search**  
USPC ..... D6/349–350, 364–368, 374, 375, 403,  
D6/405, 406.6, 654–654.1, 657,  
D6/678–678.2, 682.6, 683–683.1, 684,  
D6/686, 690, 691, 691.8–691.9, 695, 698,  
D6/699, 699.1–699.5, 705, 705.5, 707.19,  
D6/708, 708.21, 716, 369; 297/284.4,  
297/452.26, 452.28, 452.32–452.33,  
297/452.37; D7/333, 403; D15/145;  
D23/345; 126/25 AA; D30/101, 118  
CPC .... A47C 7/02; A47C 7/44; A47C 7/46; A47C  
7/48; A47C 7/54; A47C 7/386; A47C  
7/462; A47C 1/10; A47C 1/031; B60N  
2/02; B60N 2/22; B60N 2/44; A47F  
7/145; A47F 7/0035; A47F 7/283; A47F  
9/00

See application file for complete search history.

(56) **References Cited**

**U.S. PATENT DOCUMENTS**

D93,849 S \* 11/1934 Rodstein ..... D6/699  
D103,719 S \* 3/1937 Flanagan ..... D6/683.1

**OTHER PUBLICATIONS**

AB Courtyard Collection, “Build a Free-Standing Bar,” How-to  
sheet #330, copyright 2007, 2 pages.

(Continued)

*Primary Examiner* — Ian Simmons  
*Assistant Examiner* — Keith Wilson  
(74) *Attorney, Agent, or Firm* — Fish & Richardson P.C.

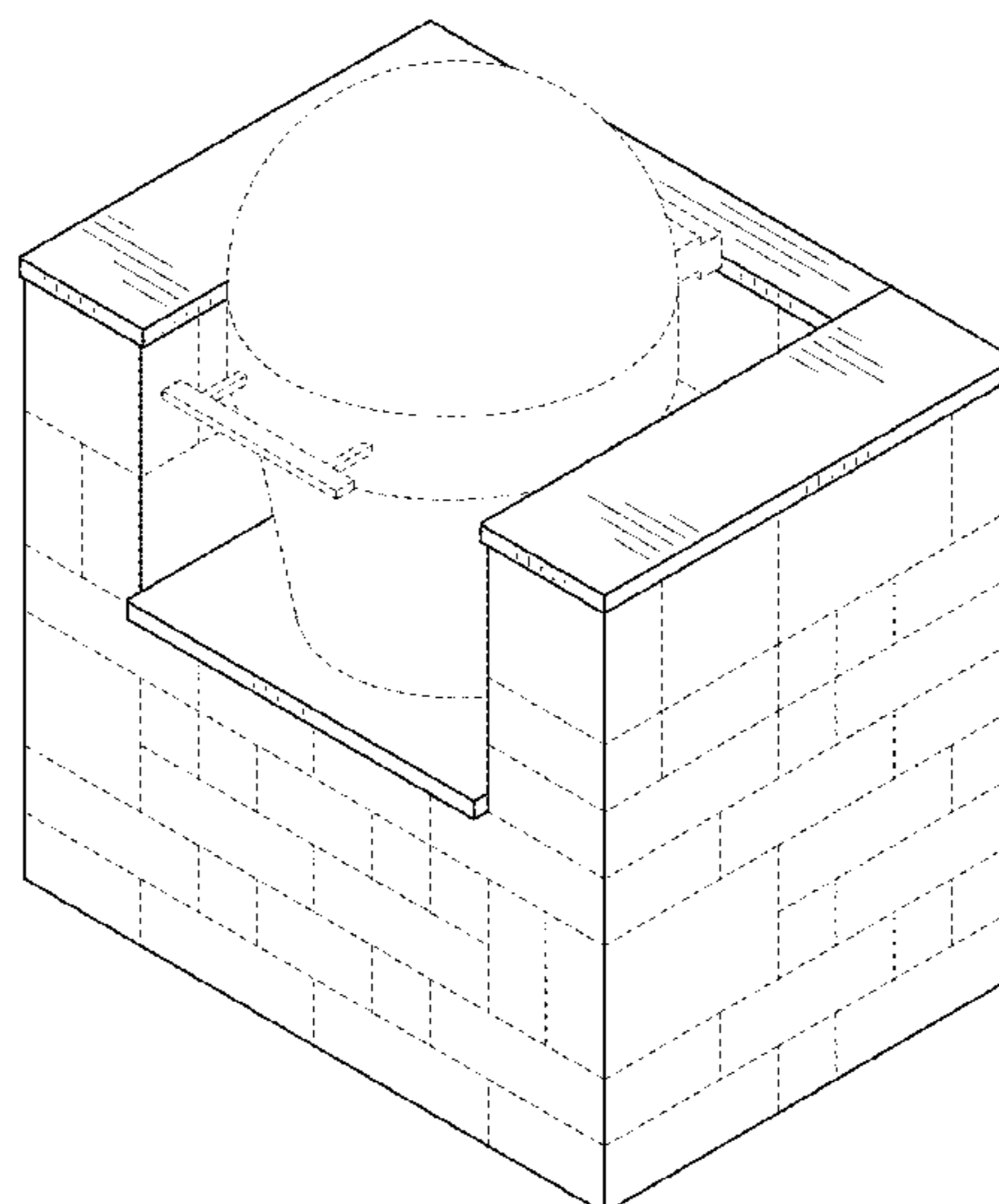
(57) **CLAIM**

The ornamental design for a outdoor cabinet, as shown and  
described.

**DESCRIPTION**

FIG. 1 is a perspective view of a outdoor cabinet.  
FIG. 2 is a front view of the outdoor cabinet of FIG. 1.  
FIG. 3 is a back view of the outdoor cabinet of FIG. 1.  
FIG. 4 is a left side view of the outdoor cabinet of FIG. 1.  
FIG. 5 is a right side view of the outdoor cabinet of FIG. 1.  
FIG. 6 is a top view of the outdoor cabinet of FIG. 1.  
FIG. 7 is a bottom view of the outdoor cabinet of FIG. 1.  
FIG. 8 is an illustration of the outdoor cabinet of FIG. 1 as  
part of a first exemplary outdoor kitchen; and,  
FIG. 9 is an illustration of the outdoor cabinet of FIG. 1 as  
part of a second exemplary outdoor kitchen.  
The broken lines depict environment and form no part of the  
claimed design. Shade lines are not an indication of surface  
texture or gloss.

**1 Claim, 6 Drawing Sheets**



(56)

References Cited

U.S. PATENT DOCUMENTS

D478,435	S	*	8/2003	Brownfield	.....	D6/675
D496,805	S	*	10/2004	Anderson	.....	D6/671
D549,035	S	*	8/2007	Chung	.....	D7/333
D588,825	S	*	3/2009	van Ierssel	.....	D6/369
D626,981	S	*	11/2010	Okamoto	.....	D15/145
D627,994	S	*	11/2010	Wahl	.....	D6/708
D647,332	S	*	10/2011	Pederson	.....	D6/699
D648,155	S	*	11/2011	Ernst	.....	D6/699
D653,878	S	*	2/2012	Ernst	.....	D6/699
D661,118	S	*	6/2012	Massaud	.....	D6/374
D679,516	S	*	4/2013	Zannella	.....	D6/375
D696,758	S	*	12/2013	Ernst	.....	D23/345
8,607,776	B2	*	12/2013	Jansson	.....	A47J 37/0704 126/25 AA
D703,466	S	*	4/2014	Franck	.....	D6/675
D704,906	S	*	5/2014	Diskin	.....	D30/118
D706,066	S	*	6/2014	Ernst	.....	D6/699
D718,502	S	*	11/2014	Paculdo	.....	D30/118
D727,072	S	*	4/2015	Sorel	.....	D6/683
D741,096	S	*	10/2015	Leduc	.....	D6/705
D743,190	S	*	11/2015	Franck	.....	D6/675
D781,089	S	*	3/2017	Hakemann	.....	D6/699.1

OTHER PUBLICATIONS

AB Courtyard Collection, "Build an Outdoor Kitchen," How-to sheet #340, copyright 2008, 2 pages.  
 AB Courtyard Collection, "Building a BBQ Grilling Station," How-to sheet #290, copyright 2003-2005, 2 pages.  
 AB Courtyard Collection, "Building an Outdoor Kitchen," How-to-sheet #341, copyright 2009, 5 pages.  
 Allan Block, Top 12 Outdoor Weekend Project Ideas, retrieved from the Internet: <URL: <http://www.allanblock.com/projects/weekend-projects.aspx>>, 2 pages, archived on Dec. 11, 2013.  
 Anchor Block Products, "Outdoor Living Kits," retrieved from the Internet <URL: <http://anchorblock.com/products/Fire-pits-and-fire-places/default.aspx>>, 15 pages, archived Oct. 16, 2015.  
 Anchor, "2015 Landscape Collection," copyright 2015, 60 pages.  
 Anchor, "Do-It-Yourself Landscape Ideas," Jan. 2014, 20 pages.  
 Anchor, "Easy Weekend Project Ideas," 2015, 24 pages.  
 Keystone Hardscapes, Country Manor 2-pc Grill Station Kit, 2013, 14 pages.  
 Keystone Hardscapes, Country Manor 2-pc Kitchen Linear Kit, 2015, 18 pages.  
 Keystone Hardscapes, Country Manor 3-pc Grill Station1 Kit, 2015, 18 pages.

Keystone Hardscapes, Country Manor 3-pc Grill Station2 Kit, 2012, 6 pages.  
 Keystone Hardscapes, Country Manor 3-pc Kitchen Linear Kit, 2015, 18 pages.  
 Keystone Hardscapes, Country Manor 3-pc Kitchen L-shape Kit, 2015, 16 pages.  
 Versa-Lok, Residential Idea Book, retrieved from the Internet: <URL: <http://www.versa-lok.com/idea-book/residential>>, 14 pages, archived Oct. 12, 2015.  
 Willow Creek Landscape Kits for Outdoor Living, retrieved from the Internet: <URL: <http://www.willowcreekpavingstones.com/willow-creek-outdoor-kits>>, 5 pages, archived Feb. 22, 2015.  
 WillowCreek, "Ledgestone Bar and Grill Kit," retrieved from the Internet: <URL: <http://www.willowcreekpavingstones.com/sites/default/files/docs/pdf/BarGrill2013Print.pdf>>, 2013, 1 page.  
 WillowCreek, "Ledgestone Grill Kit," retrieved from the Internet: <<https://www.patiotown.com/sites/default/files/files/Grill%20Kits%202013.pdf>>, 2013, 1 page.  
 WillowCreek, "Outdoor Fireplace Kit," 2012, 1 page.  
 U.S. Appl. No. 29/552,756, filed Jan. 26, 2016, Price et al.  
 U.S. Appl. No. 29/552,752, filed Jan. 26, 2016, Price et al.  
 U.S. Appl. No. 29/552,769, filed Jan. 26, 2016, Price et al.  
 U.S. Appl. No. 29/552,760, filed Jan. 26, 2016, Price et al.  
 U.S. Appl. No. 29/552,784, filed Jan. 26, 2016, Price et al.  
 U.S. Appl. No. 29/552,763, filed Jan. 26, 2016, Price et al.  
 U.S. Appl. No. 29/552,766, filed Jan. 26, 2016, Price et al.  
 U.S. Appl. No. 29/552,778, filed Jan. 26, 2016, Price et al.  
 U.S. Appl. No. 29/552,773, filed Jan. 26, 2016, Price et al.  
 U.S. Appl. No. 29/552,786, filed Jan. 26, 2016, Price et al.  
 U.S. Appl. No. 29/552,776, filed Jan. 26, 2016, Price et al.  
 U.S. Appl. No. 29/552,782, filed Jan. 26, 2016, Price et al.  
 U.S. Appl. No. 29/552,780, filed Jan. 26, 2016, Price et al.  
 U.S. Appl. No. 29/552,794, filed Jan. 26, 2016, Price et al.  
 U.S. Appl. No. 29/552,795, filed Jan. 26, 2016, Price et al.  
 U.S. Appl. No. 29/552,805, filed Jan. 26, 2016, Price et al.  
 U.S. Appl. No. 29/552,809, filed Jan. 26, 2016, Price et al.  
 U.S. Appl. No. 29/552,802, filed Jan. 26, 2016, Price et al.  
 U.S. Appl. No. 29/552,817, filed Jan. 26, 2016, Price et al.  
 U.S. Appl. No. 29/552,806, filed Jan. 26, 2016, Price et al.  
 U.S. Appl. No. 29/552,813, filed Jan. 26, 2016, Price et al.  
 U.S. Appl. No. 29/552,845, filed Jan. 26, 2016, Price et al.  
 U.S. Appl. No. 29/552,853, filed Jan. 26, 2016, Price et al.  
 U.S. Appl. No. 29/552,846, filed Jan. 26, 2016, Price et al.  
 U.S. Appl. No. 29/552,858, filed Jan. 26, 2016, Price et al.  
 U.S. Appl. No. 29/552,849, filed Jan. 26, 2016, Price et al.

\* cited by examiner



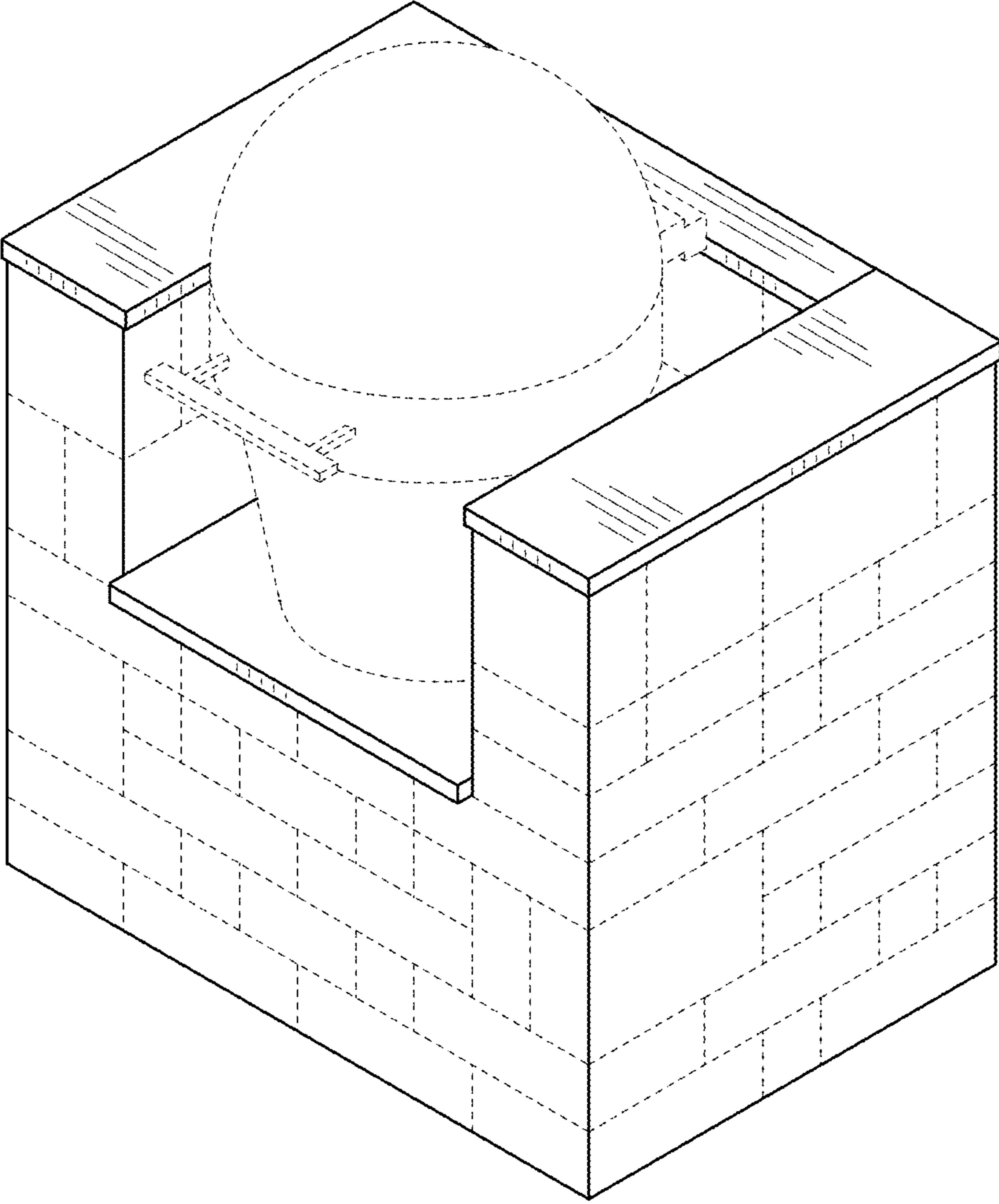


FIG. 1

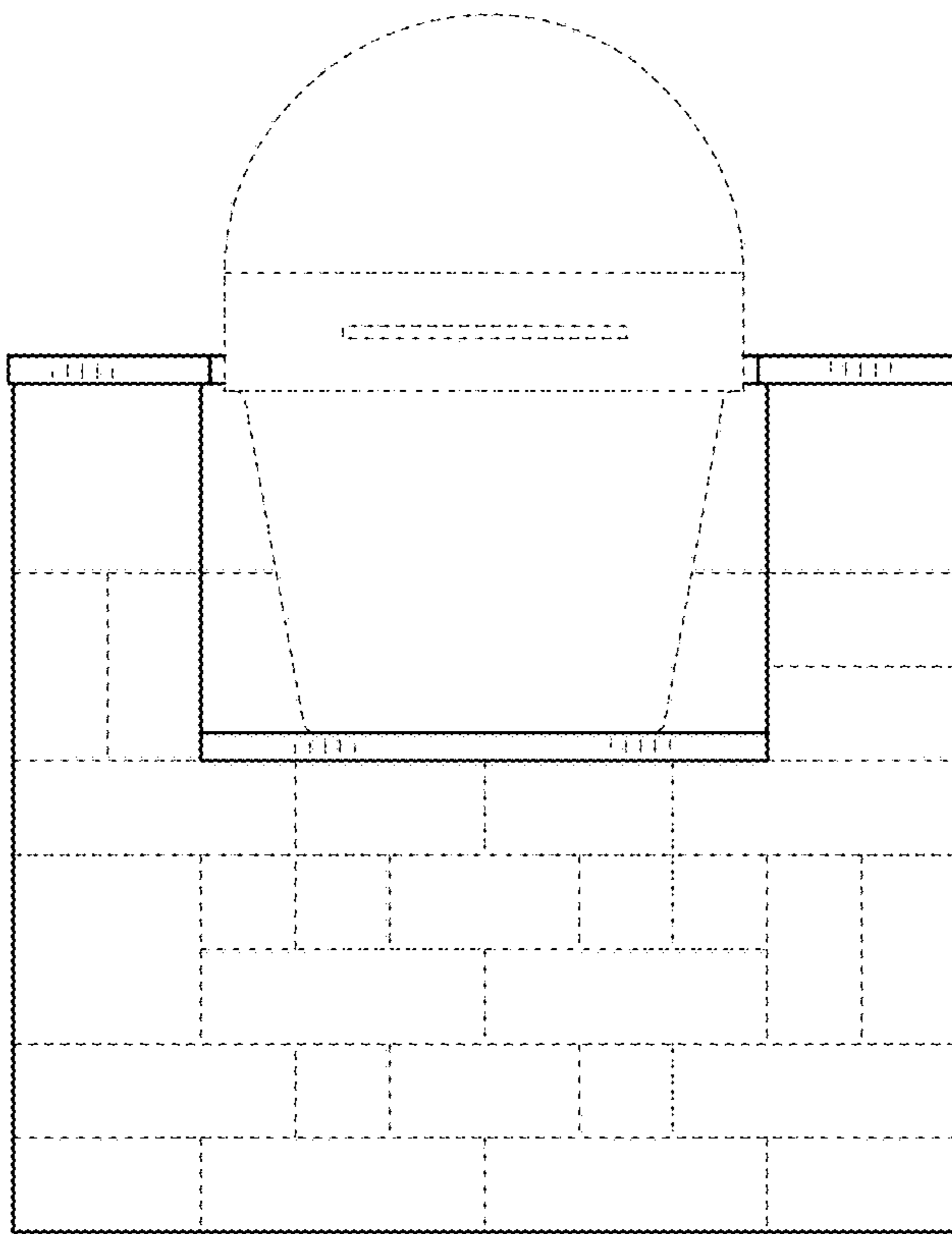


FIG. 2

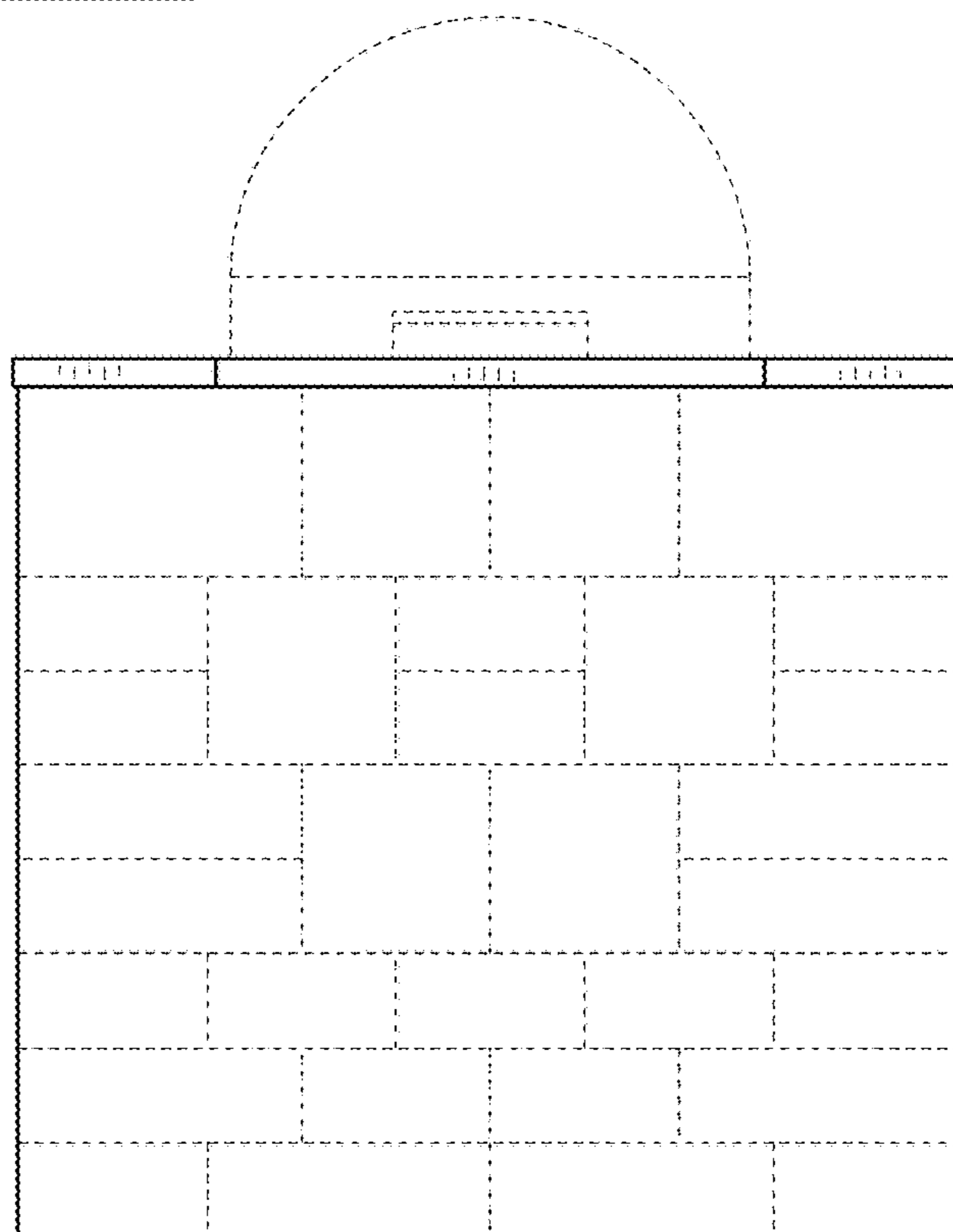


FIG. 3

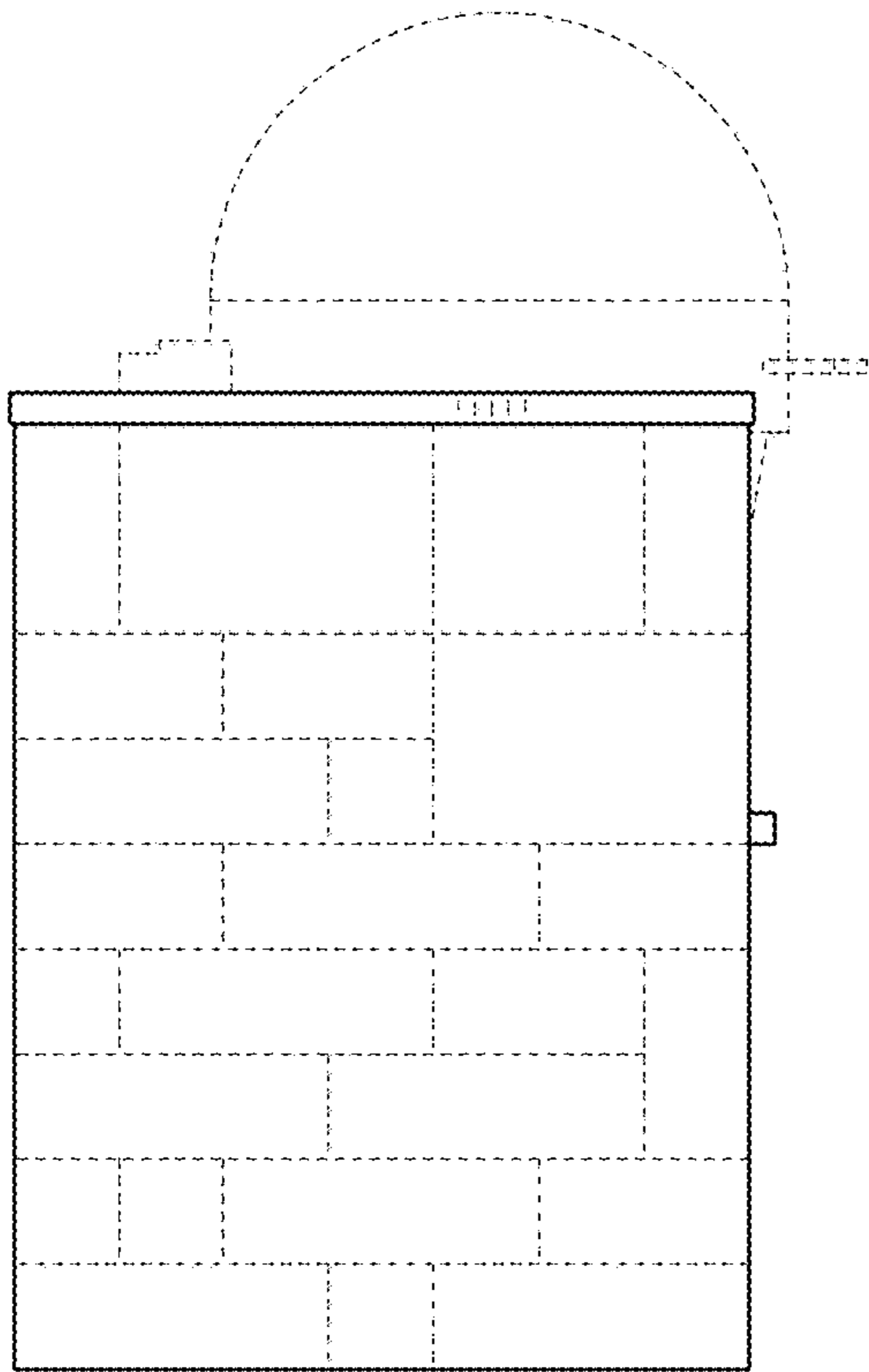


FIG. 4

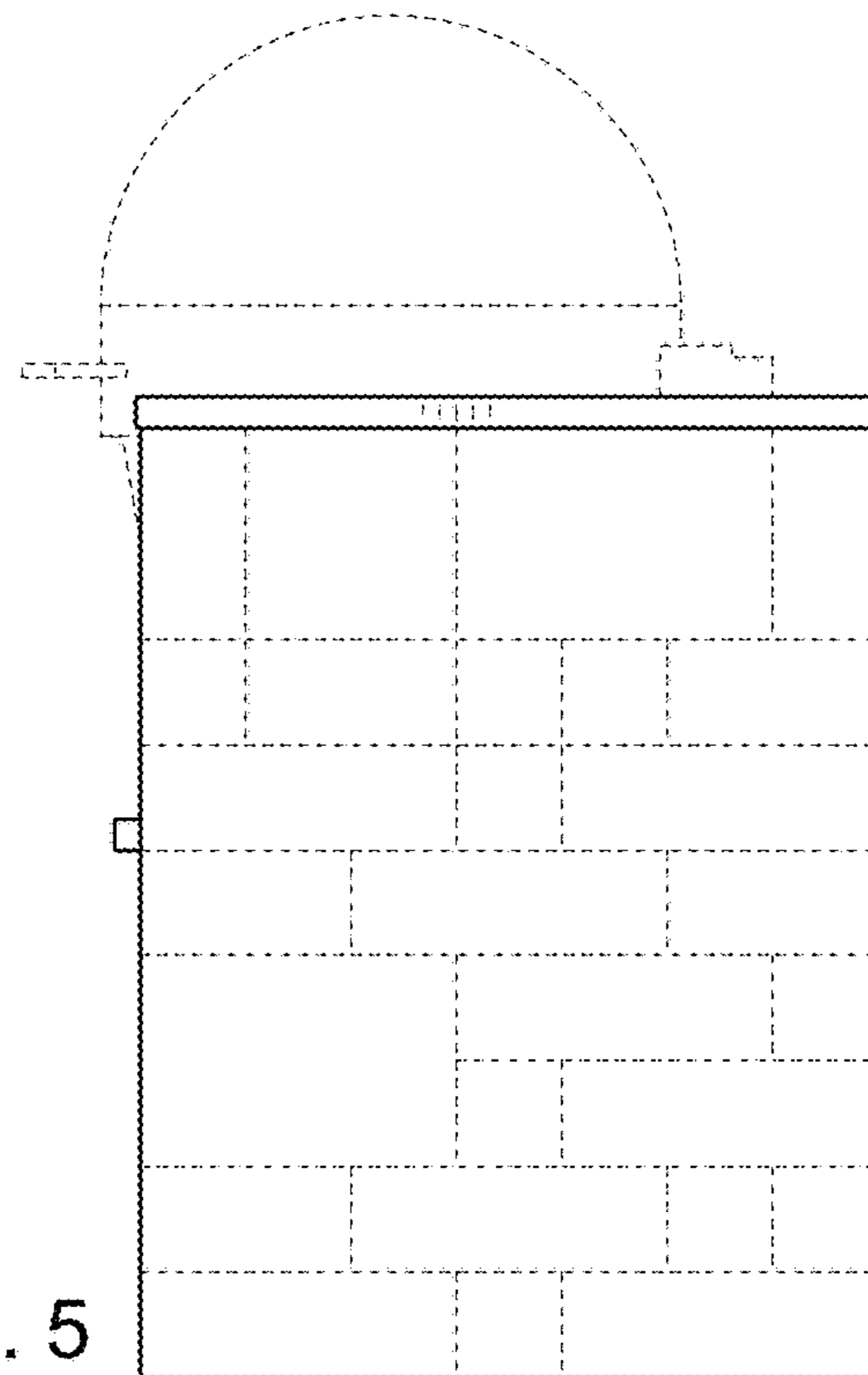


FIG. 5

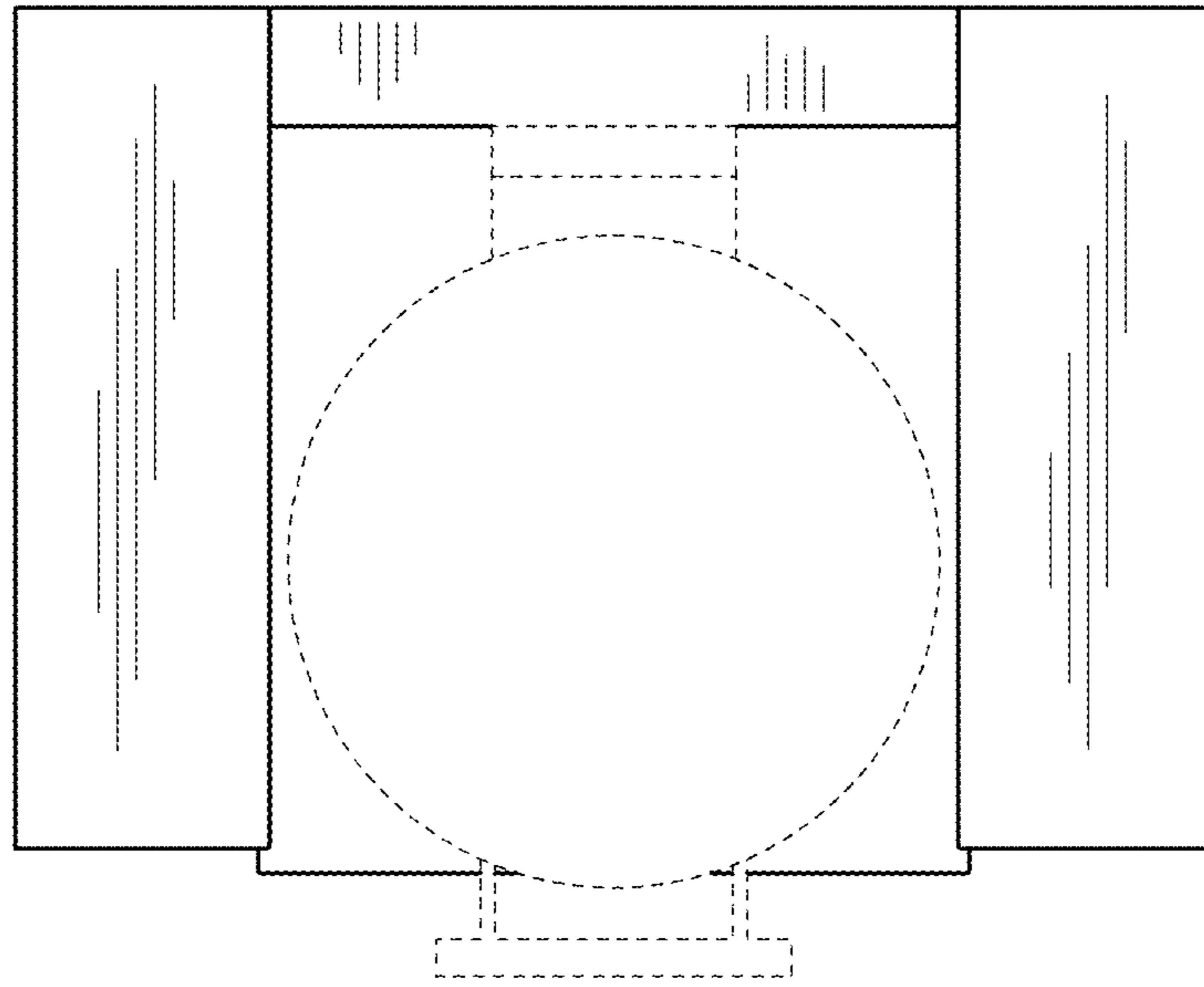


FIG. 6

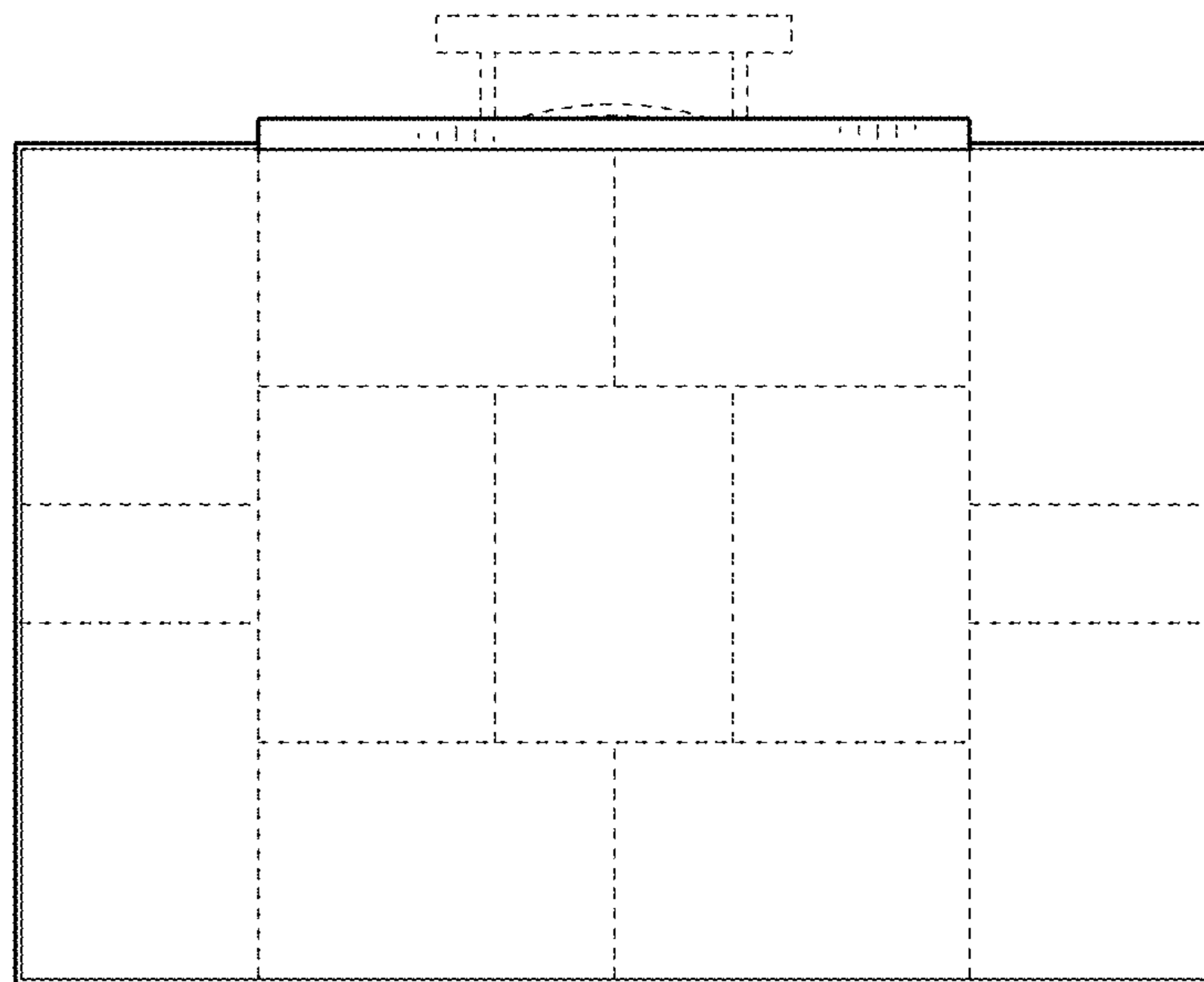


FIG. 7

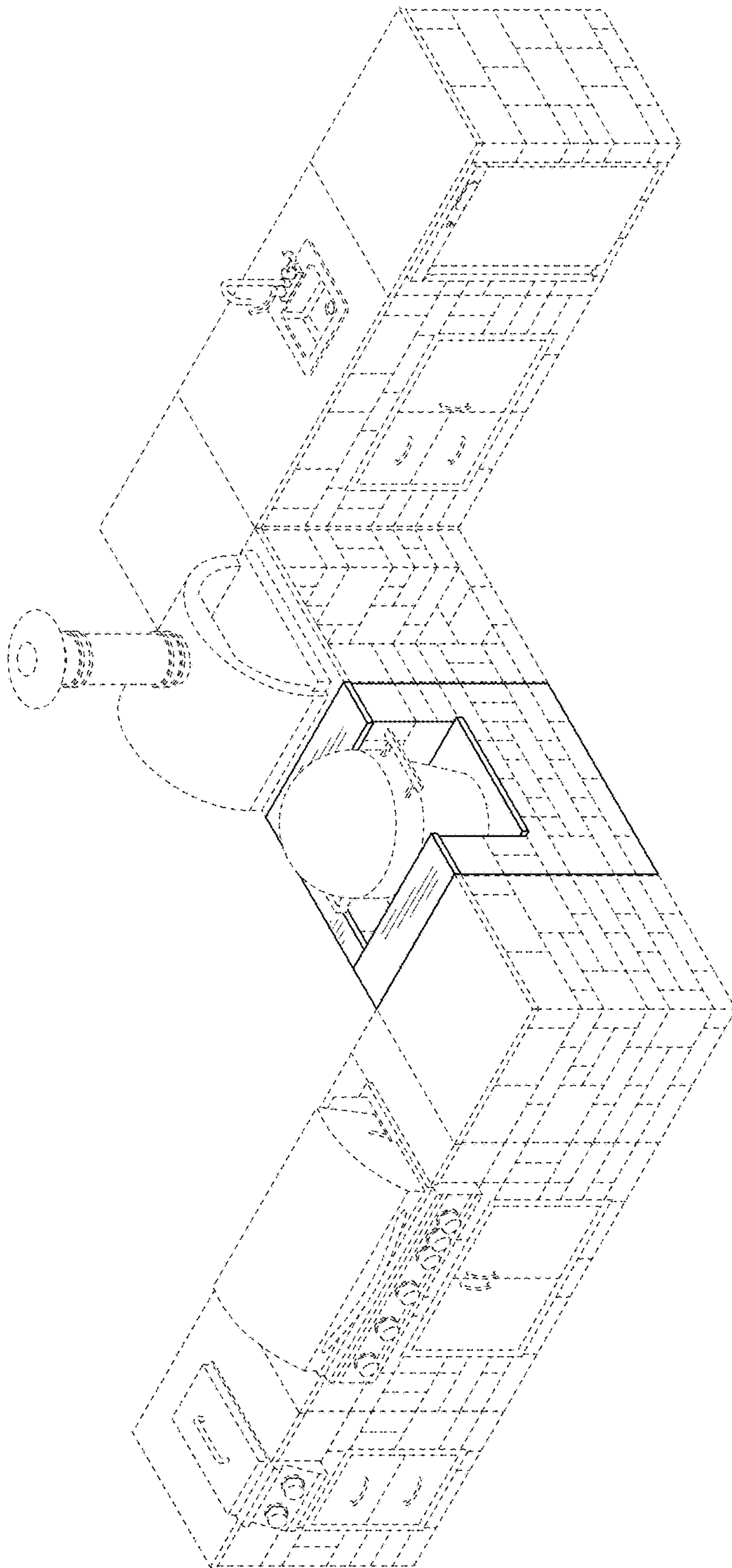


FIG. 8

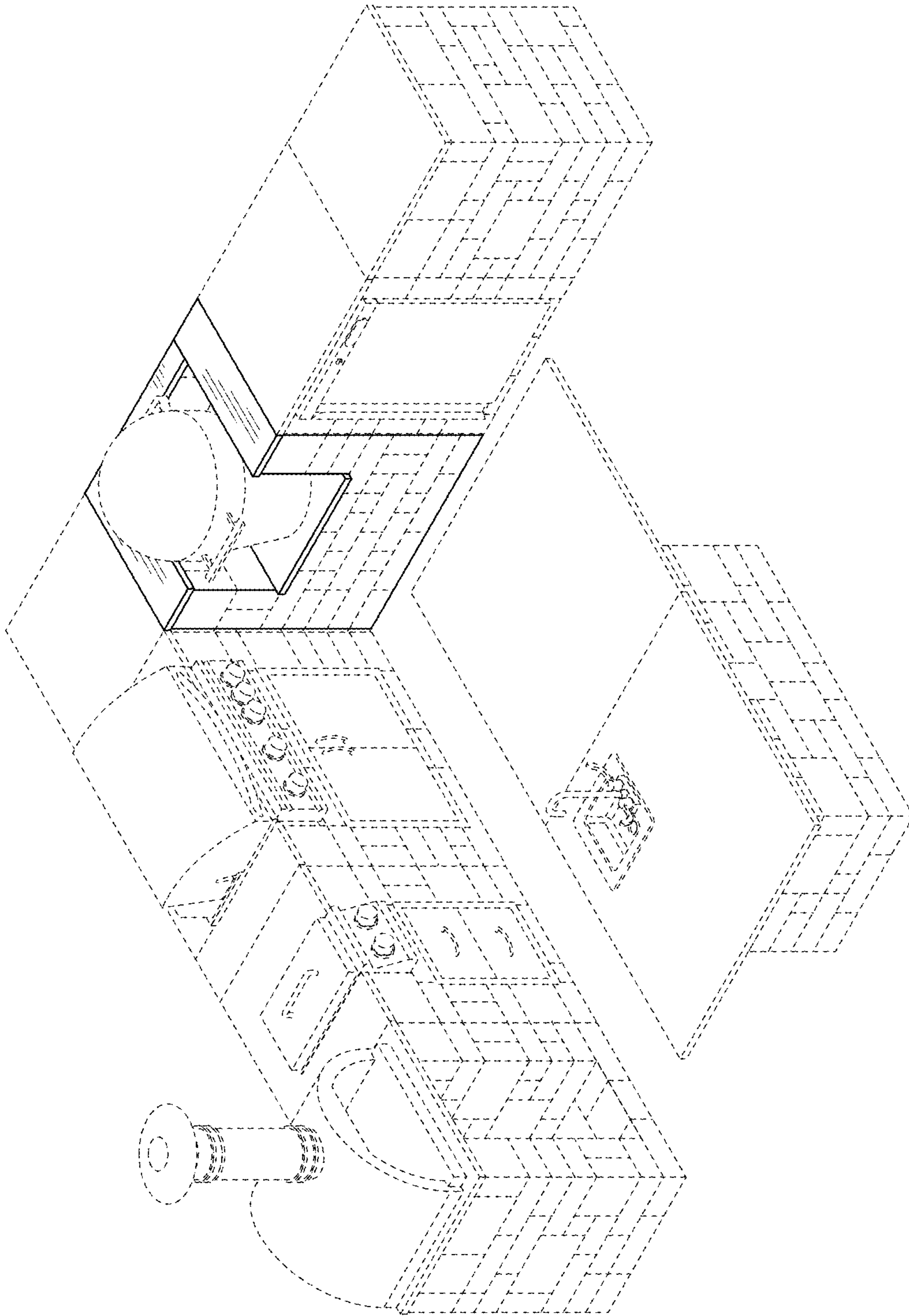


FIG. 9