



US00D805820S

(12) **United States Design Patent** (10) **Patent No.:** **US D805,820 S**  
**Price et al.** (45) **Date of Patent:** **\*\* \*Dec. 26, 2017**

(54) **GRILL CABINET**

7/145; A47F 7/0035; A47F 7/283; A47F 9/00

(71) Applicant: **Mortarless Technologies LLC**,  
Rochester, MN (US)

See application file for complete search history.

(72) Inventors: **Brian A. Price**, Rochester, MN (US);  
**Drew Wohlfiel**, Mantorville, MN (US)

(56) **References Cited**

(73) Assignee: **Mortarless Technologies LLC**,  
Rochester, MN (US)

U.S. PATENT DOCUMENTS

D93,849 S \* 11/1934 Rodstein ..... D6/699  
D103,719 S \* 3/1937 Flanagan ..... D6/683.1  
D219,443 S \* 12/1970 Hubel ..... D6/335  
D220,997 S \* 6/1971 Svezla ..... D6/335

(Continued)

(\* ) Notice: This patent is subject to a terminal disclaimer.

OTHER PUBLICATIONS

U.S. Appl. No. 29/552,756, filed Jan. 26, 2016, Price et al.

(\*\*) Term: **15 Years**

(Continued)

(21) Appl. No.: **29/552,786**

*Primary Examiner* — Ian Simmons

*Assistant Examiner* — Keith Wilson

(22) Filed: **Jan. 26, 2016**

(74) *Attorney, Agent, or Firm* — Fish & Richardson P.C.

(51) **LOC (10) Cl.** ..... **06-03**

(57) **CLAIM**

(52) **U.S. Cl.**  
USPC ..... **D6/699.2; D7/403**

The ornamental design for a grill cabinet, as shown and described.

(58) **Field of Classification Search**

**DESCRIPTION**

USPC ..... D6/349–350, 364–368, 374, 375, 403,  
D6/405, 406.6, 654–654.1, 657,  
D6/678–678.2, 682.1–682.6, 683–683.1,  
D6/684–686, 690, 691, 691.8–691.9, 695,  
D6/698, 699, 699.1–699.5, 705, 705.5,  
D6/707.19, 708, 708.21, 369; 297/284.4,  
297/452.18, 452.24, 452.26, 452.28,  
297/452.32–452.33, 452.37; D7/333,  
D7/403; D15/145; D23/345; D30/101,  
D30/118; 126/25 AA  
CPC .... A47C 7/02; A47C 7/44; A47C 7/46; A47C  
7/48; A47C 7/54; A47C 7/386; A47C  
7/462; A47C 1/10; A47C 1/031; B60N  
2/02; B60N 2/22; B60N 2/44; A47F

FIG. 1 is a perspective view of a grill cabinet according to a first embodiment.

FIG. 2 is a front view of the grill cabinet of FIG. 1.

FIG. 3 is a back view of the grill cabinet of FIG. 1.

FIG. 4 is a left side view of the grill cabinet of FIG. 1.

FIG. 5 is a right side view of the grill cabinet of FIG. 1.

FIG. 6 is a top view of the grill cabinet of FIG. 1.

FIG. 7 is a bottom view of the grill cabinet of FIG. 1.

FIG. 8 is a back view of a grill cabinet having an opening in a back side according to a second embodiment, the front, left, right, top and bottom views identical to the first embodiment.

FIG. 9 is a perspective view of the grill cabinet of FIG. 8.

FIG. 10 is an illustration of the grill cabinet of FIG. 1 as part of an exemplary outdoor kitchen; and,

(Continued)

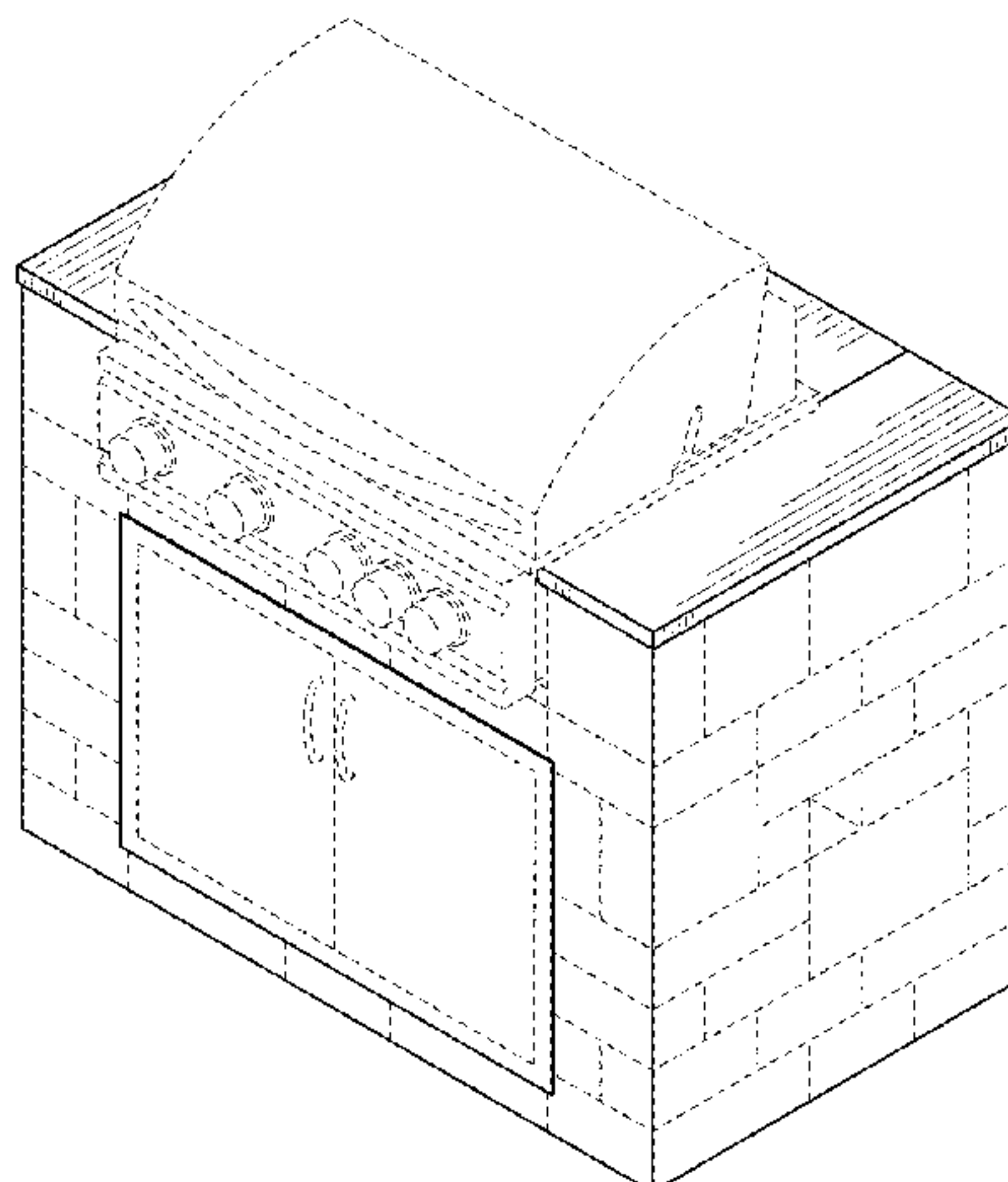


FIG. 11 is an illustration of the grill cabinet of FIG. 1 as part of an exemplary outdoor kitchen. The broken lines depict environment and form no part of the claimed design. Shade lines are not an indication of surface texture or gloss.

**1 Claim, 8 Drawing Sheets**

(56)

**References Cited**

U.S. PATENT DOCUMENTS

D236,935 S *	9/1975	Frazelle	.....	D6/683
D256,644 S *	9/1980	Marks	.....	D6/683.1
D297,083 S *	8/1988	Olovsson	.....	D6/683
D362,125 S *	9/1995	Crust	.....	D6/349
D365,932 S *	1/1996	Reynolds	.....	D30/101
D368,604 S *	4/1996	Gotham	.....	D6/657
D377,721 S *	2/1997	Pohlman	.....	D6/657
D478,435 S *	8/2003	Brownfield	.....	D6/675
D496,805 S *	10/2004	Anderson	.....	D6/671
D549,035 S *	8/2007	Chung	.....	D7/333
D588,825 S *	3/2009	van Ierssel	.....	D6/369
D626,981 S *	11/2010	Okamoto	.....	D15/145
D627,994 S *	11/2010	Wahl	.....	D6/708
D647,332 S *	10/2011	Pederson	.....	D6/699
D648,155 S *	11/2011	Ernst	.....	D6/699
D653,878 S *	2/2012	Ernst	.....	D6/699
D661,118 S *	6/2012	Massaud	.....	D6/374
D679,516 S *	4/2013	Zannella	.....	D6/375
D696,758 S *	12/2013	Ernst	.....	D23/345
8,607,776 B2 *	12/2013	Jansson	.....	A47J 37/0704 126/25 AA
D703,466 S *	4/2014	Franck	.....	D6/675
D704,906 S *	5/2014	Diskin	.....	D30/118
D706,066 S *	6/2014	Ernst	.....	D6/699
D718,502 S *	11/2014	Paculdo	.....	D30/118
D727,072 S *	4/2015	Sorel	.....	D6/683
D741,096 S *	10/2015	Leduc	.....	D6/705
D743,190 S *	11/2015	Franck	.....	D6/675
D781,089 S *	3/2017	Hakemann	.....	D6/699.1

OTHER PUBLICATIONS

- U.S. Appl. No. 29/552,752, filed Jan. 26, 2016, Price et al.
- U.S. Appl. No. 29/552,769, filed Jan. 26, 2016, Price et al.
- U.S. Appl. No. 29/552,760, filed Jan. 26, 2016, Price et al.
- U.S. Appl. No. 29/552,784, filed Jan. 26, 2016, Price et al.
- U.S. Appl. No. 29/552,763, filed Jan. 26, 2016, Price et al.
- U.S. Appl. No. 29/552,766, filed Jan. 26, 2016, Price et al.
- U.S. Appl. No. 29/552,778, filed Jan. 26, 2016, Price et al.
- U.S. Appl. No. 29/552,773, filed Jan. 26, 2016, Price et al.
- U.S. Appl. No. 29/552,776, filed Jan. 26, 2016, Price et al.
- U.S. Appl. No. 29/552,782, filed Jan. 26, 2016, Price et al.
- U.S. Appl. No. 29/552,780, filed Jan. 26, 2016, Price et al.
- U.S. Appl. No. 29/552,789, filed Jan. 26, 2016, Price et al.

- U.S. Appl. No. 29/552,794, filed Jan. 26, 2016, Price et al.
- U.S. Appl. No. 29/552,795, filed Jan. 26, 2016, Price et al.
- U.S. Appl. No. 29/552,805, filed Jan. 26, 2016, Price et al.
- U.S. Appl. No. 29/552,809, filed Jan. 26, 2016, Price et al.
- U.S. Appl. No. 29/552,802, filed Jan. 26, 2016, Price et al.
- U.S. Appl. No. 29/552,817, filed Jan. 26, 2016, Price et al.
- U.S. Appl. No. 29/552,806, filed Jan. 26, 2016, Price et al.
- U.S. Appl. No. 29/552,813, filed Jan. 26, 2016, Price et al.
- U.S. Appl. No. 29/552,845, filed Jan. 26, 2016, Price et al.
- U.S. Appl. No. 29/552,853, filed Jan. 26, 2016, Price et al.
- U.S. Appl. No. 29/552,846, filed Jan. 26, 2016, Price et al.
- U.S. Appl. No. 29/552,858, filed Jan. 26, 2016, Price et al.
- U.S. Appl. No. 29/552,849, filed Jan. 26, 2016, Price et al.
- AB Courtyard Collection, "Build a Free-Standing Bar," How-to sheet #330, copyright 2007, 2 pages.
- AB Courtyard Collection, "Build an Outdoor Kitchen," How-to sheet #340, copyright 2008, 2 pages.
- AB Courtyard Collection, "Building a BBQ Grilling Station," How-to sheet #290, copyright 2003-2005, 2 pages.
- AB Courtyard Collection, "Building an Outdoor Kitchen," How-to-sheet #341, copyright 2009, 5 pages.
- Allan Block, Top 12 Outdoor Weekend Project Ideas, retrieved from the Internet: <URL: <http://www.allanblock.com/projects/weekend-projects.aspx>>, 2 pages, archived on Dec. 11, 2013.
- Anchor Block Products, "Outdoor Living Kits," retrieved from the Internet <URL: <http://anchorblock.com/products/Fire-pits-and-fire-places/default.aspx>>, 15 pages, archived Oct. 16, 2015.
- Anchor, "2015 Landscape Collection," copyright 2015, 60 pages.
- Anchor, "Do-It-Yourself Landscape Ideas," Jan. 2014, 20 pages.
- Anchor, "Easy Weekend Project Ideas," 2015, 24 pages.
- Keystone Hardscapes, Country Manor 2-pc Grill Station Kit, 2013, 14 pages.
- Keystone Hardscapes, Country Manor 2-pc Kitchen Linear Kit, 2015, 18 pages.
- Keystone Hardscapes, Country Manor 3-pc Grill Station Kit, 2015, 18 pages.
- Keystone Hardscapes, Country Manor 3-pc Grill Station2 Kit, 2012, 6 pages.
- Keystone Hardscapes, Country Manor 3-pc Kitchen Linear Kit, 2015, 18 pages.
- Keystone Hardscapes, Country Manor 3-pc Kitchen L-shape Kit, 2015, 16 pages.
- Versa-Lok, Residential Idea Book, retrieved from the Internet: <URL: <http://www.versa-lok.com/idea-book/residential>>, 14 pages, archived Oct. 12, 2015.
- Willow Creek Landscape Kits for Outdoor Living, retrieved from the Internet: <URL: <http://www.willowcreekpavingstones.com/willow-creek-outdoor-kits>>, 5 pages, archived Feb. 22, 2015.
- WillowCreek, "Ledgestone Bar and Grill Kit," retrieved from the Internet: <URL: <http://www.willowcreekpavingstones.com/sites/default/files/docs/pdf/BarGrill2013Print.pdf>>, 2013, 1 page.
- WillowCreek, "Ledgestone Grill Kit," retrieved from the Internet: <<https://www.patiotown.com/sites/default/files/files/Grill%20Kits%202013.pdf>>, 2013, 1 page.
- WillowCreek, "Outdoor Fireplace Kit," 2012, 1 page.

\* cited by examiner



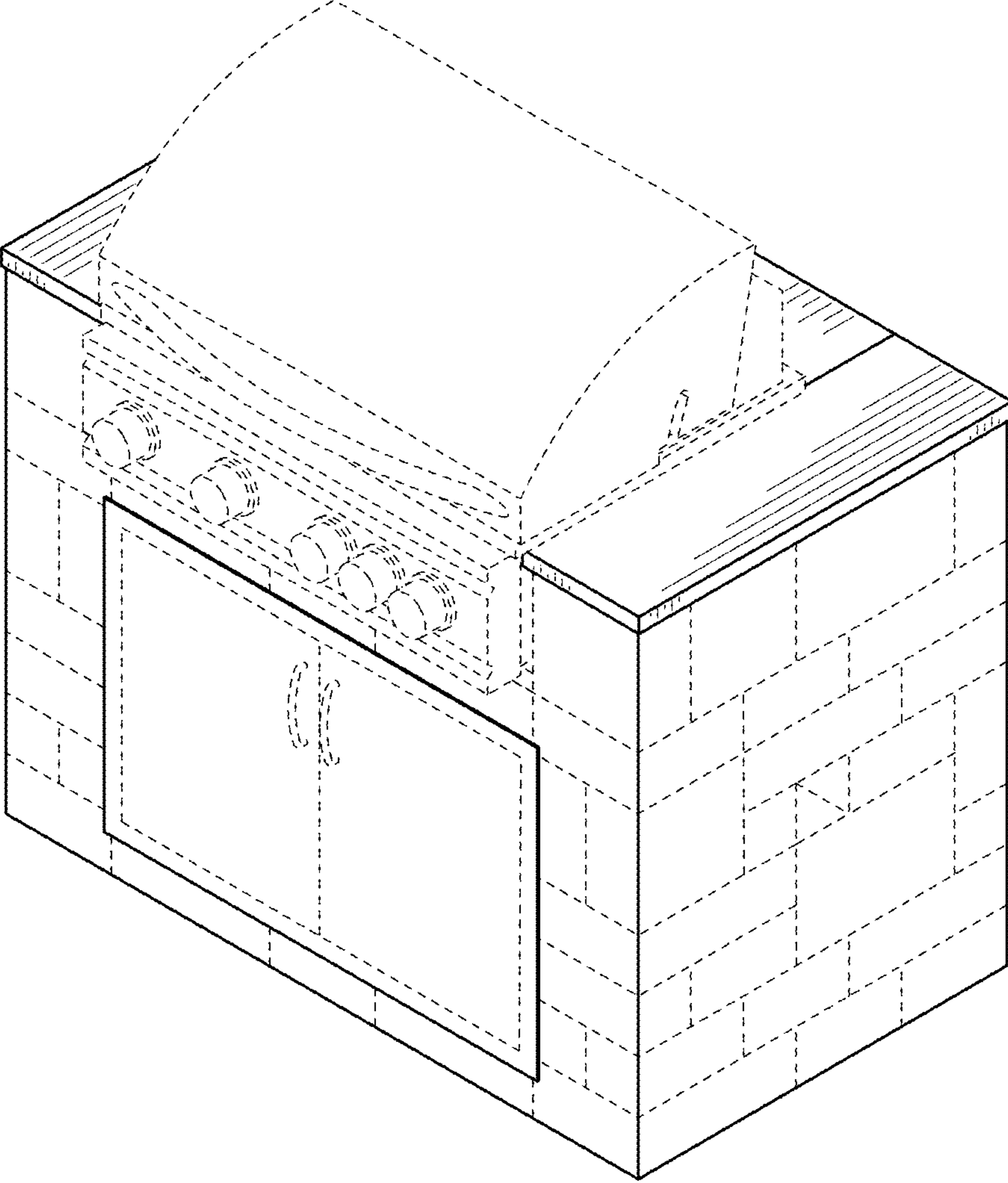


FIG. 1

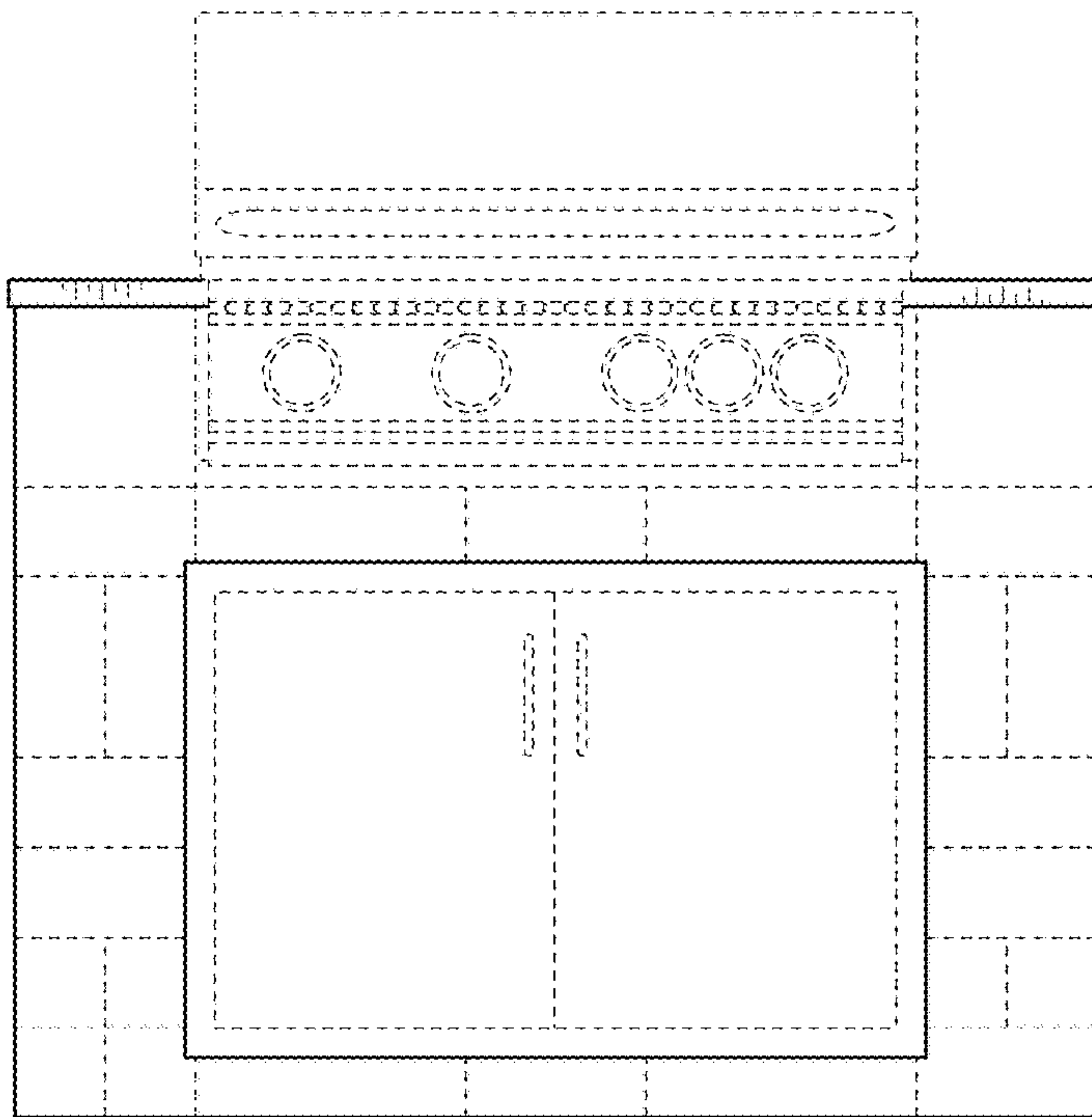


FIG. 2

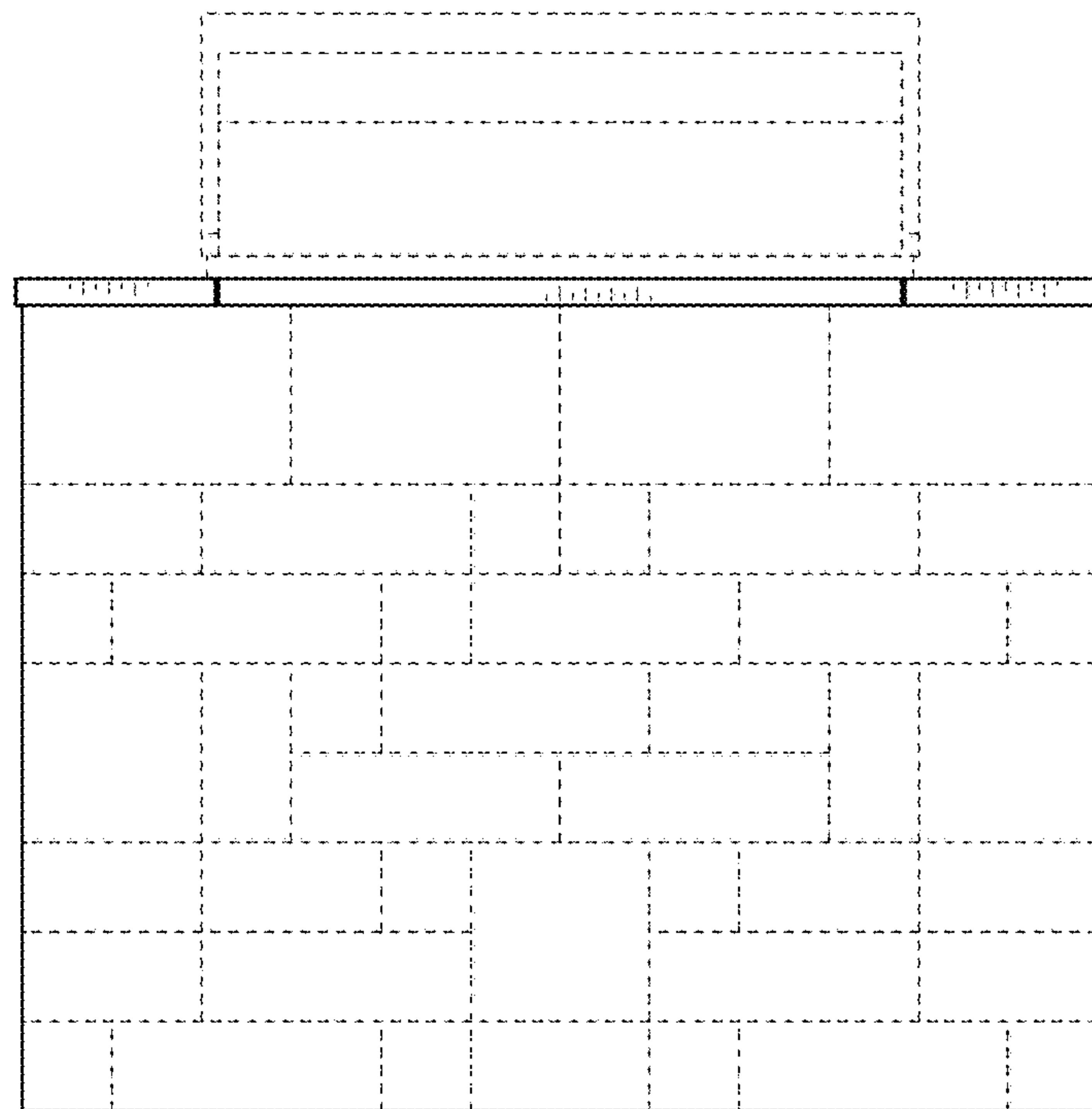


FIG. 3

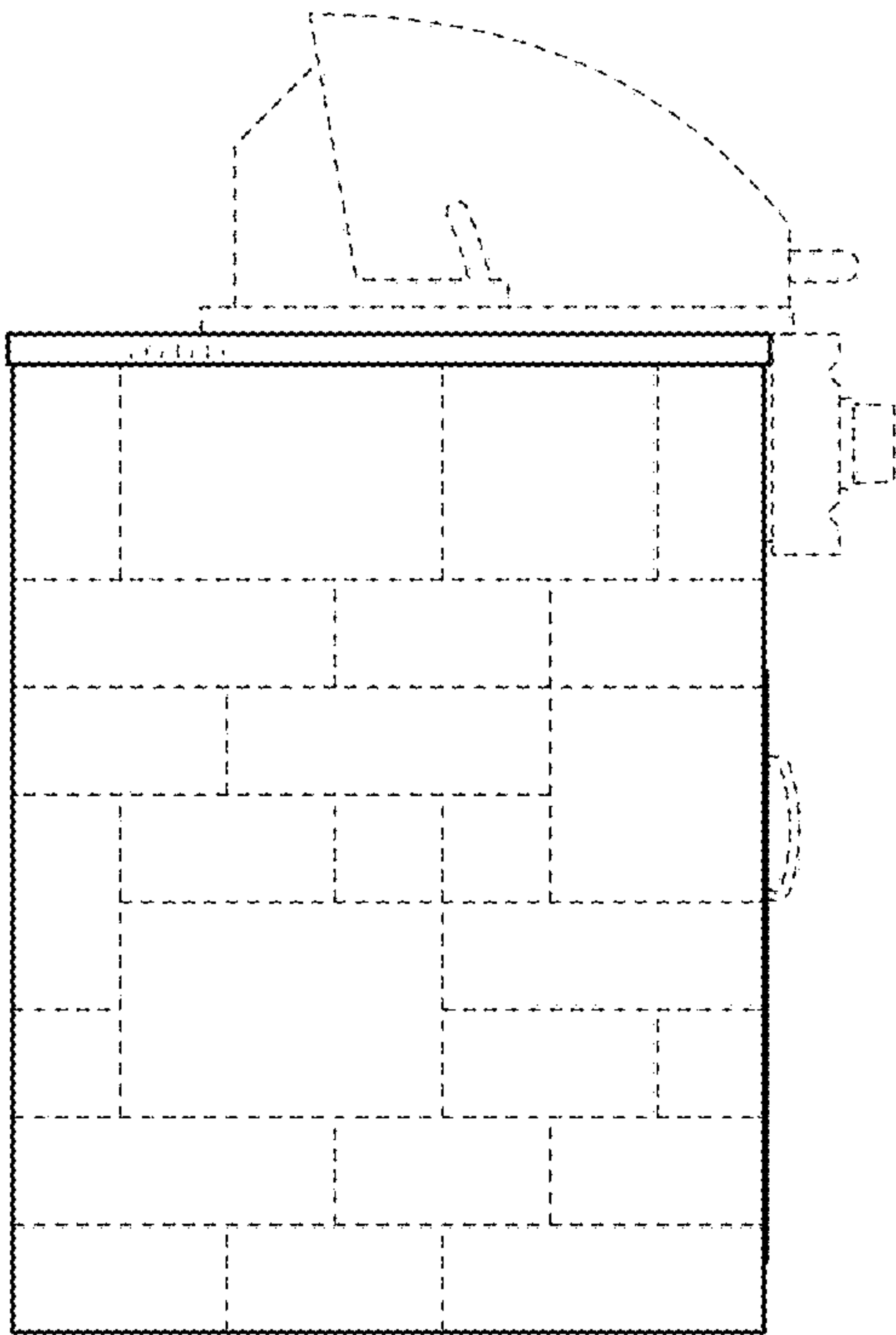


FIG. 4

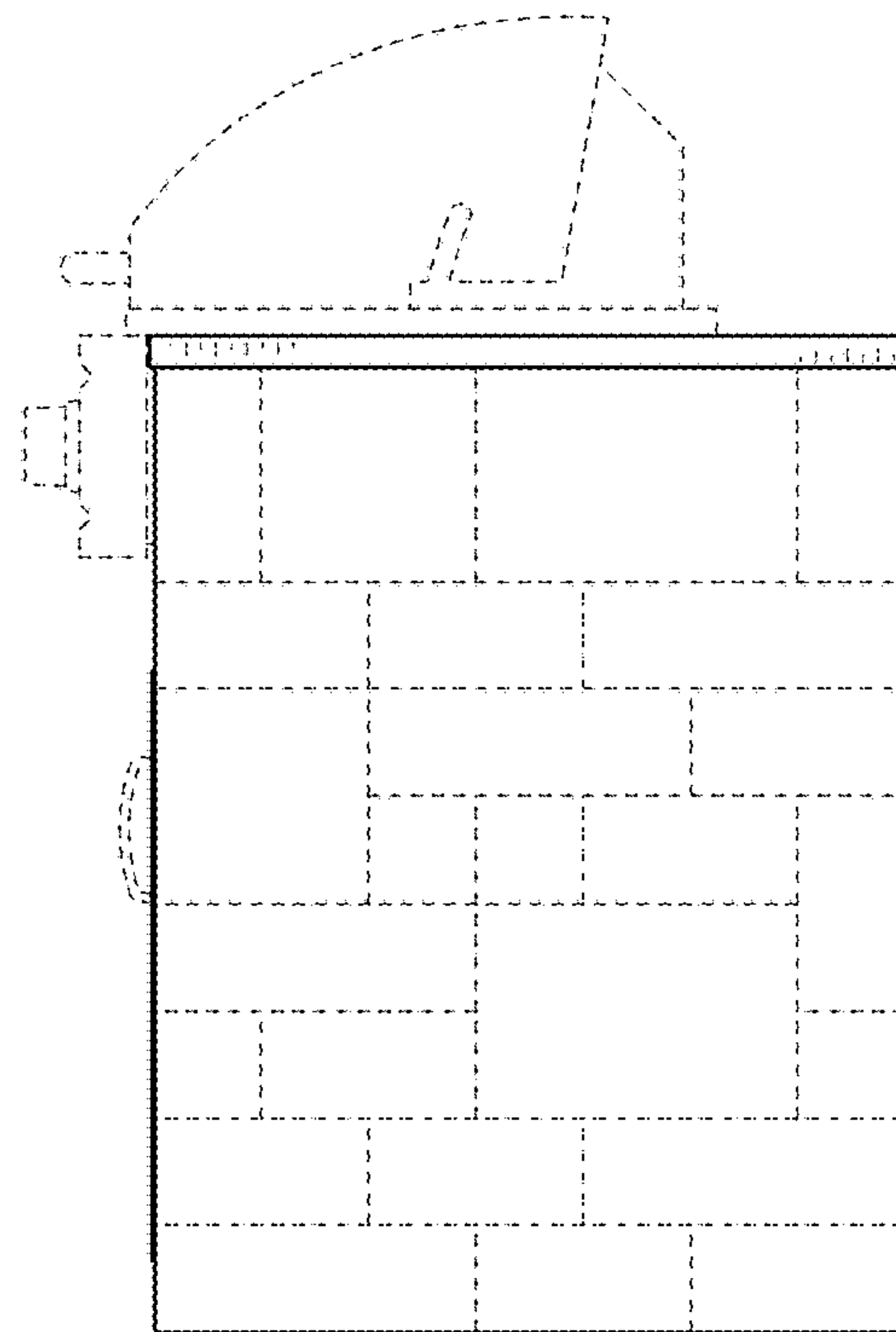


FIG. 5

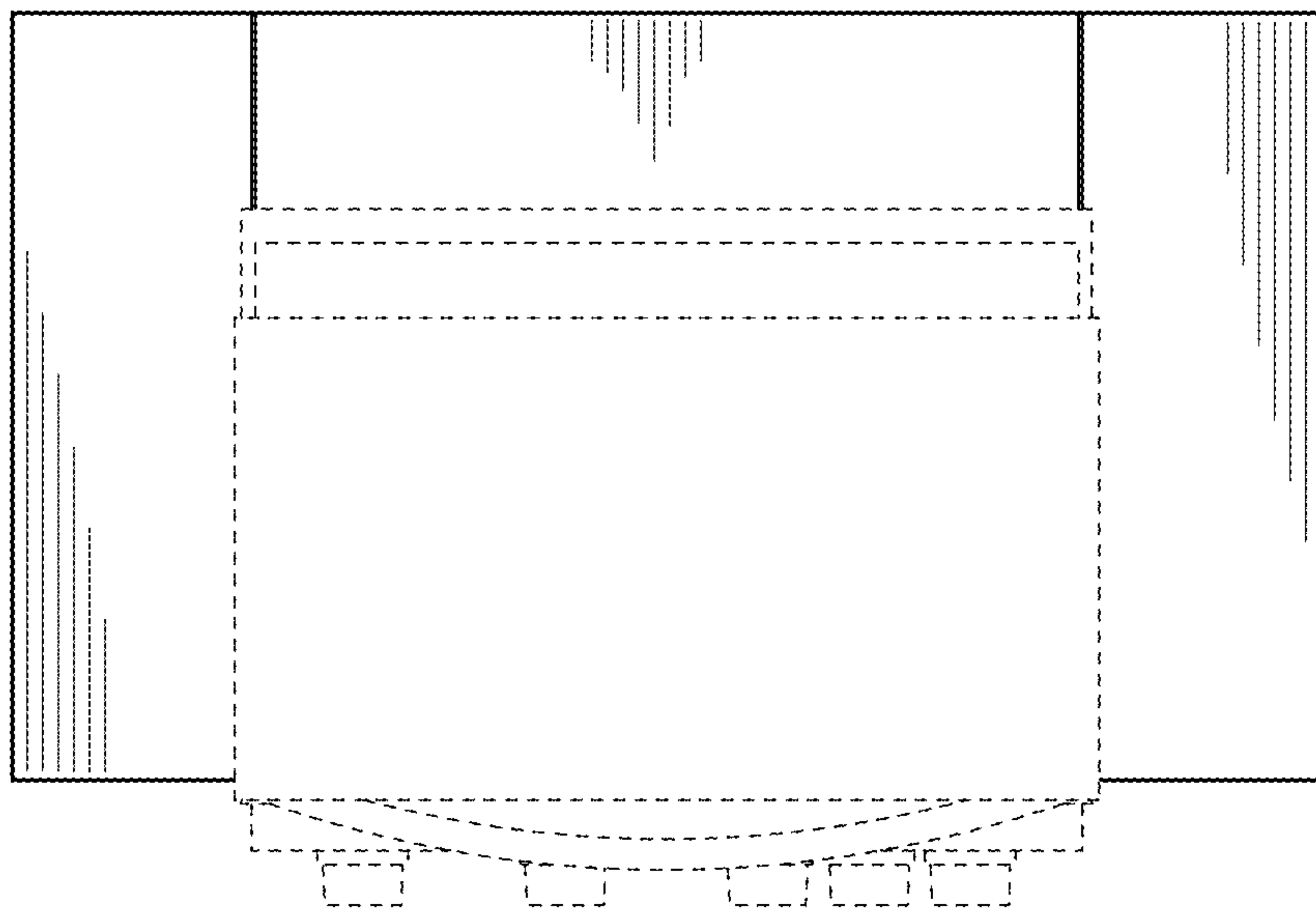


FIG. 6

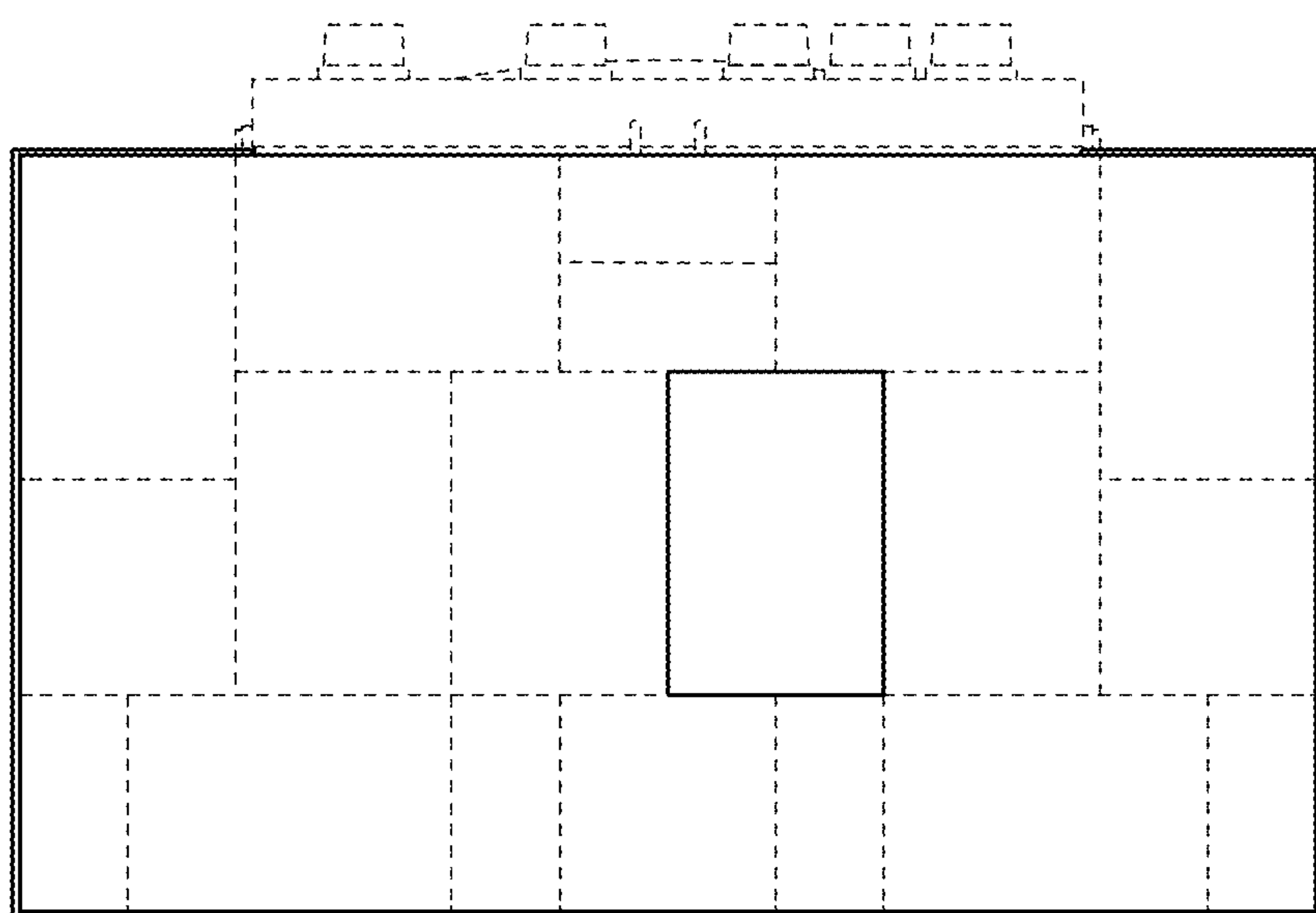


FIG. 7

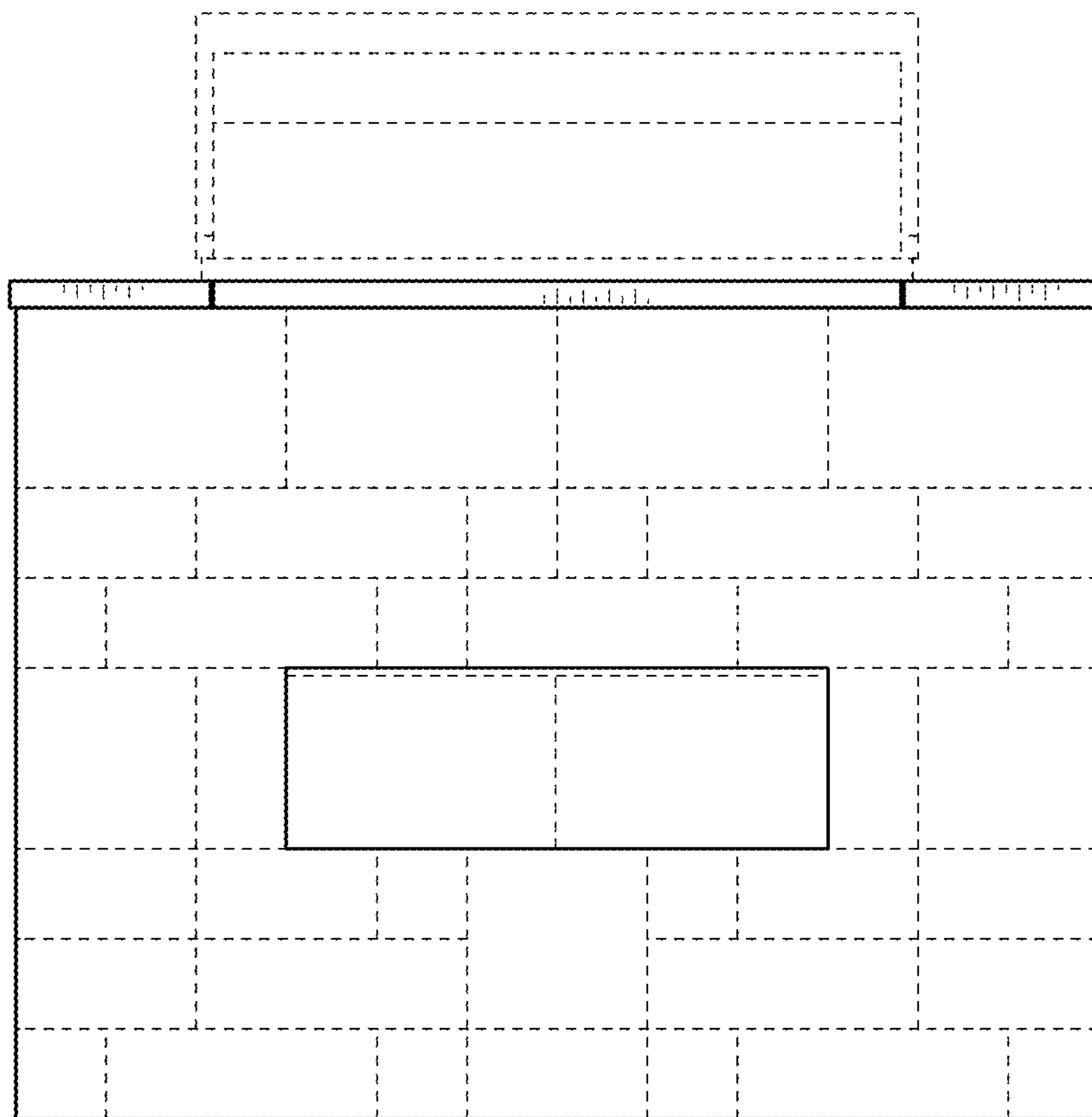


FIG. 8

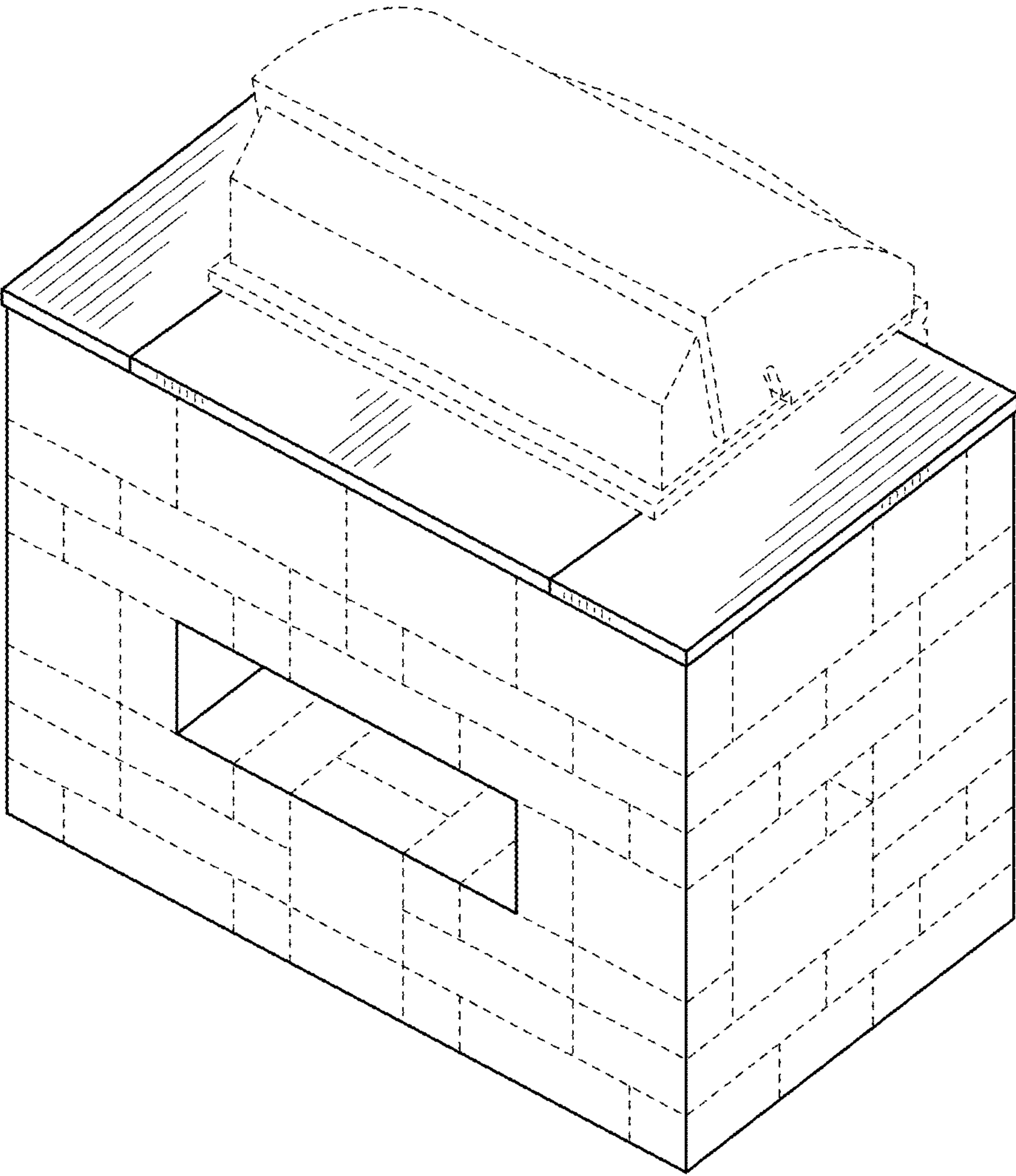


FIG. 9



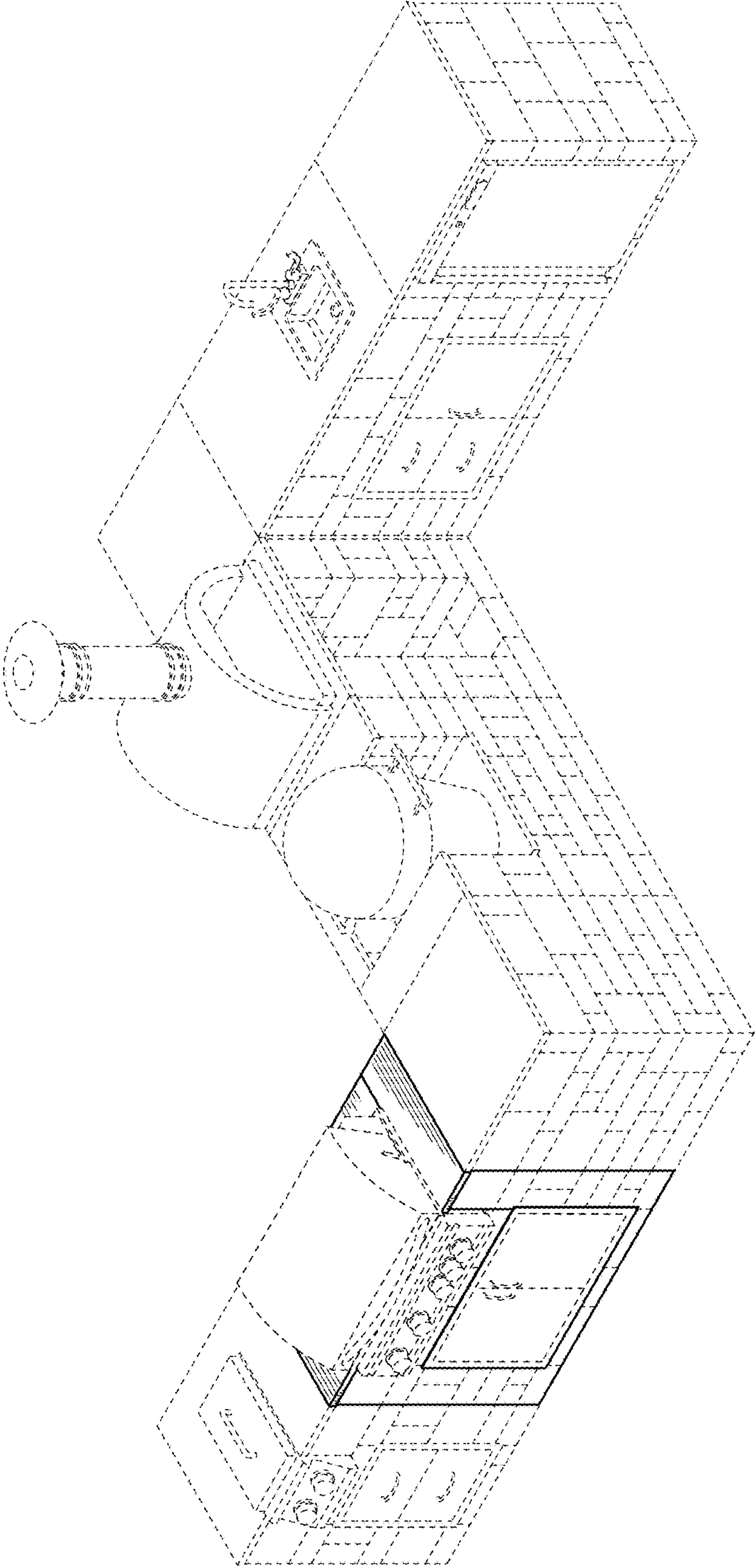


FIG. 10

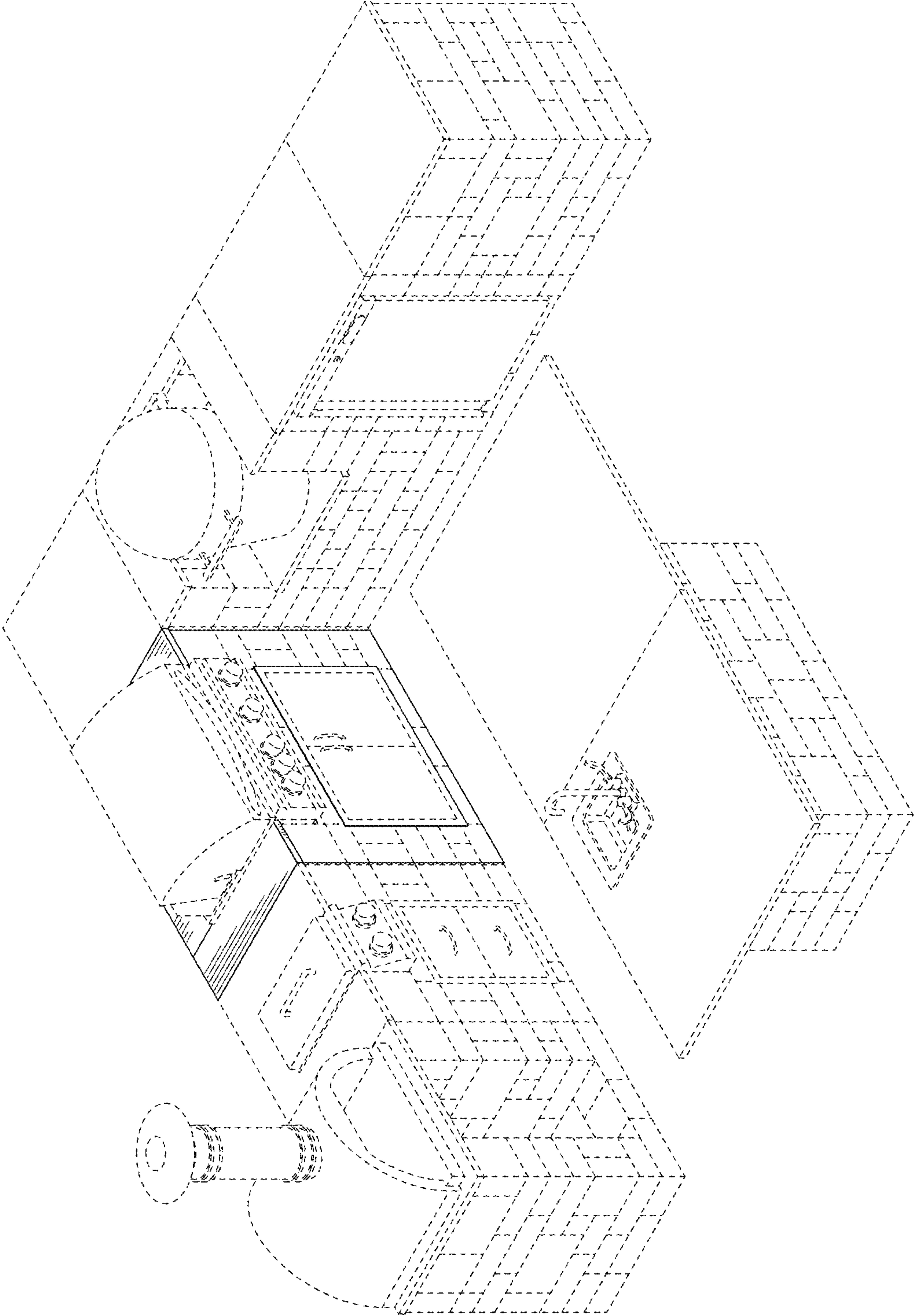


FIG. 11