



US00D805816S

(12) **United States Design Patent**  
**Gale et al.**

(10) **Patent No.:** **US D805,816 S**

(45) **Date of Patent:** **\*\* Dec. 26, 2017**

(54) **HOLDER**

(71) Applicant: **3M INNOVATIVE PROPERTIES COMPANY**, St. Paul, MN (US)

(72) Inventors: **Brian D. Gale**, Blaine, MN (US);  
**Angela L. Pan**, Arden Hills, MN (US)

(73) Assignee: **3M INNOVATIVE PROPERTIES COMPANY**, St. Paul, MN (US)

(\*\*) Term: **15 Years**

(21) Appl. No.: **29/580,033**

(22) Filed: **Oct. 5, 2016**

(51) **LOC (10) Cl.** ..... **06-06**

(52) **U.S. Cl.**  
USPC ..... **D6/683**

(58) **Field of Classification Search**  
USPC ..... D6/512–513, 672–674, 675, 682–682.1,  
D6/683; D7/601–60; D3/304–315  
CPC ..... B65D 1/02; B65D 1/22; A47F 13/085;  
A47G 29/08  
See application file for complete search history.

(56) **References Cited**

**U.S. PATENT DOCUMENTS**

D286,485 S \* 11/1986 Frizzell ..... D6/573  
D336,703 S \* 6/1993 Mason, Jr. .... D19/81  
D416,421 S \* 11/1999 Hampshire ..... D3/304

D444,278 S \* 6/2001 Myers, Jr. .... D32/54  
D486,022 S \* 2/2004 Shamoan ..... D6/553  
D486,185 S \* 2/2004 Sheldon ..... D19/86  
D535,842 S \* 1/2007 Wood ..... D6/567  
D596,900 S \* 7/2009 Kluger ..... D7/509  
D697,309 S \* 1/2014 Baldwin ..... D3/304  
D704,949 S \* 5/2014 Rodriguez ..... D6/513  
D731,187 S \* 6/2015 Thompson ..... D3/315  
D774,762 S \* 12/2016 Aller ..... D3/304  
D775,465 S \* 1/2017 Aller ..... D3/304  
D781,069 S \* 3/2017 Marshall ..... D6/553  
D782,143 S \* 3/2017 Divizinskiy ..... D34/1

\* cited by examiner

*Primary Examiner* — Kelley Donnelly

(74) *Attorney, Agent, or Firm* — Irina Hass

(57) **CLAIM**

The ornamental design for a holder, as shown and described.

**DESCRIPTION**

FIG. 1 is a perspective view showing a new design for a holder;

FIG. 2 is a bottom view thereof;

FIG. 3 is a top view thereof;

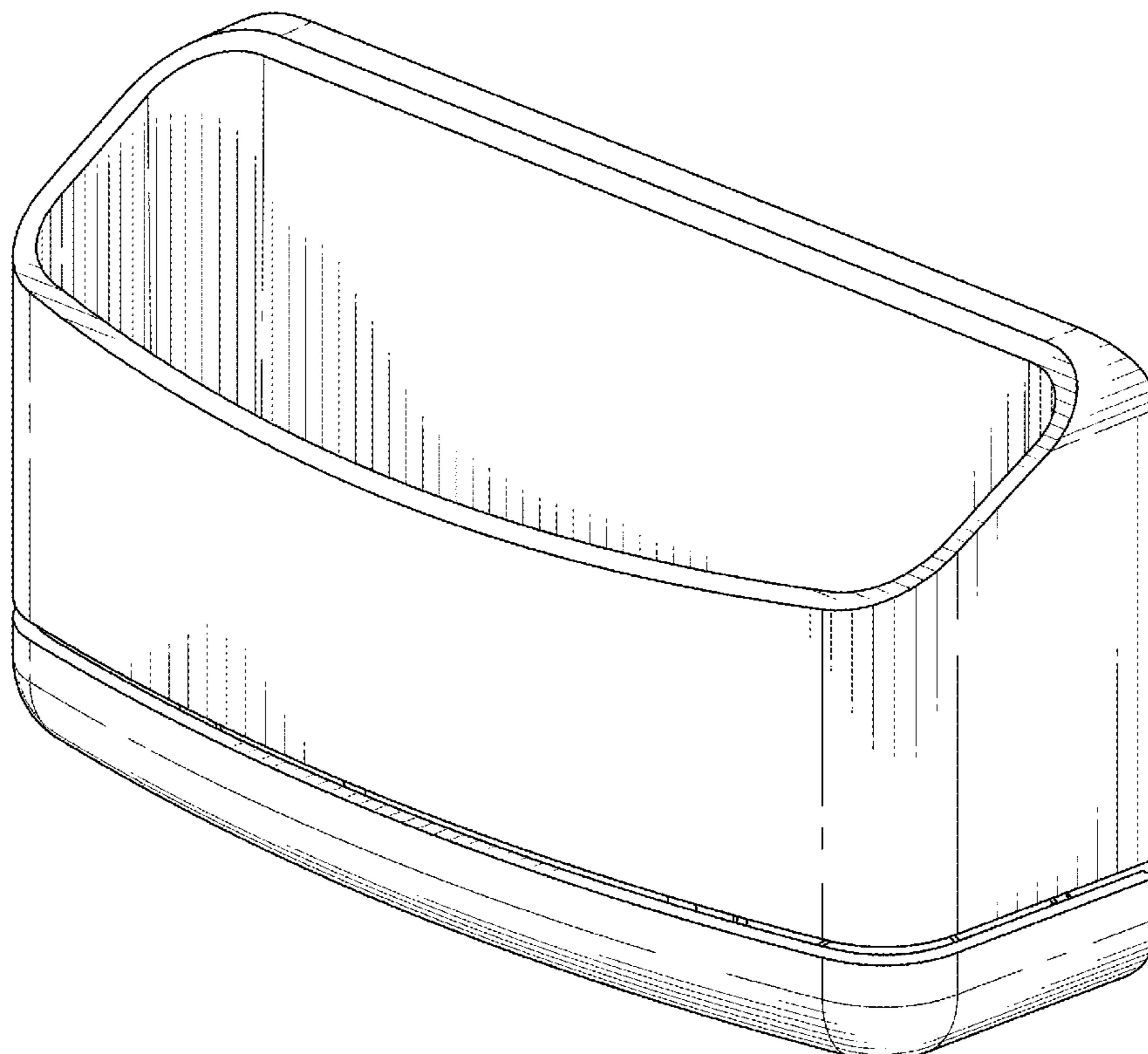
FIG. 4 is a left side view thereof, a right side view being a mirror image thereof;

FIG. 5 is a front view thereof; and,

FIG. 6 is a rear view thereof.

The portions of the holder in FIGS. 2 and 3 shown in broken lines are included to show features that form no part of the claimed design.

**1 Claim, 3 Drawing Sheets**



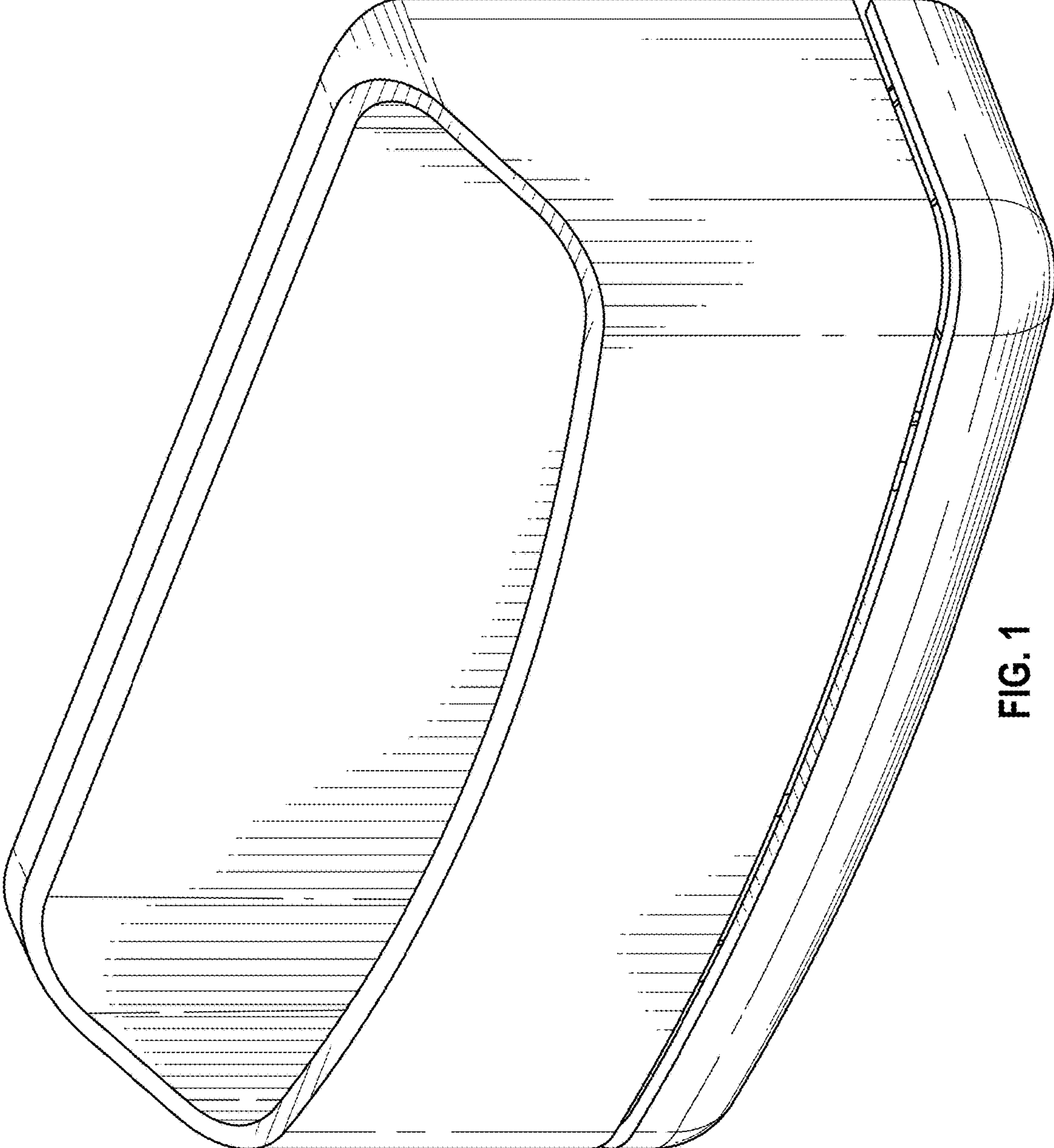


FIG. 1

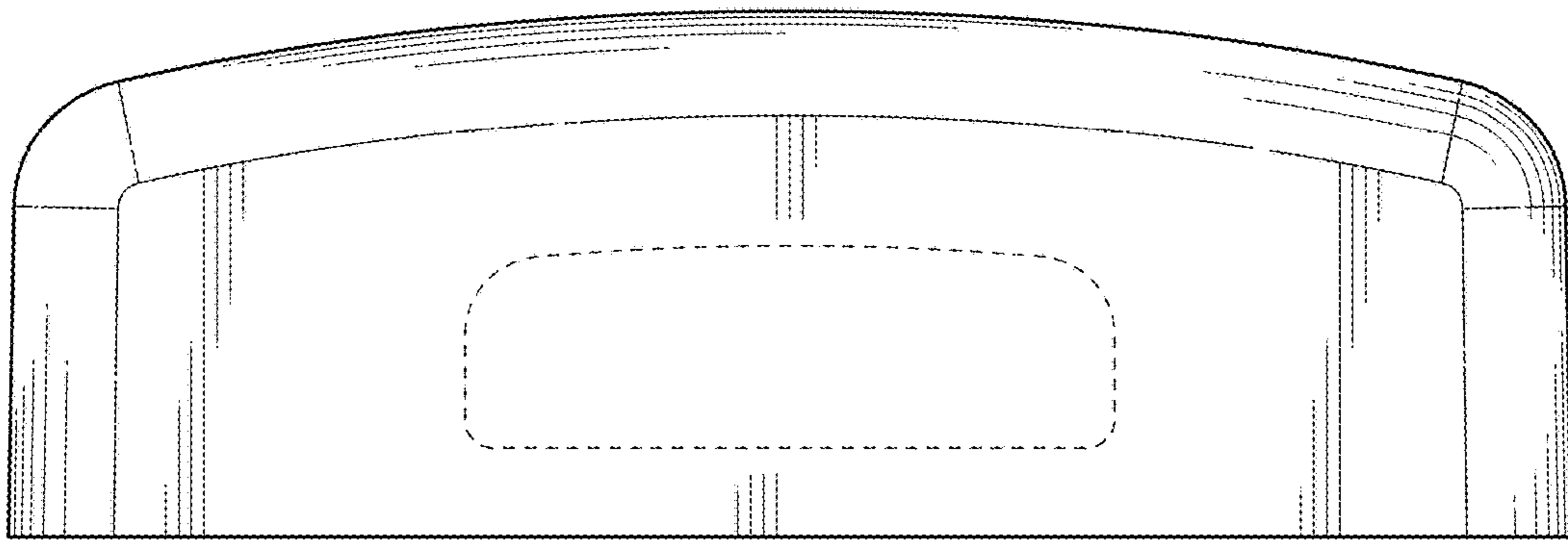


FIG. 2

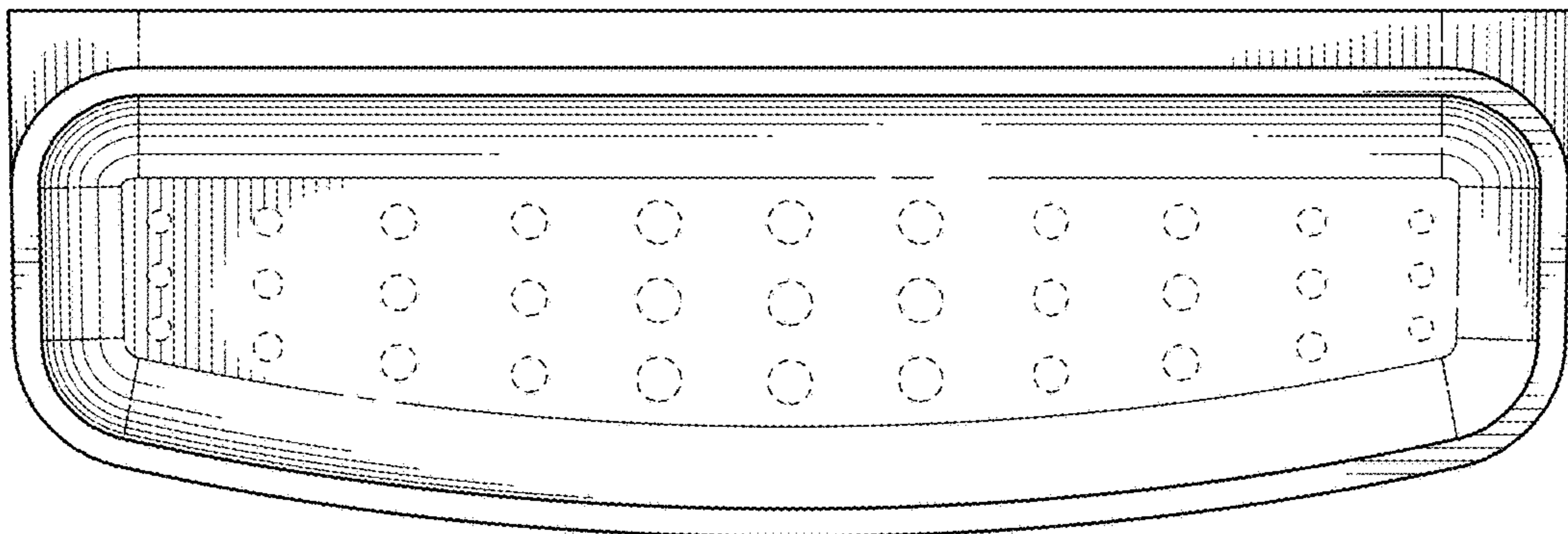


FIG. 3

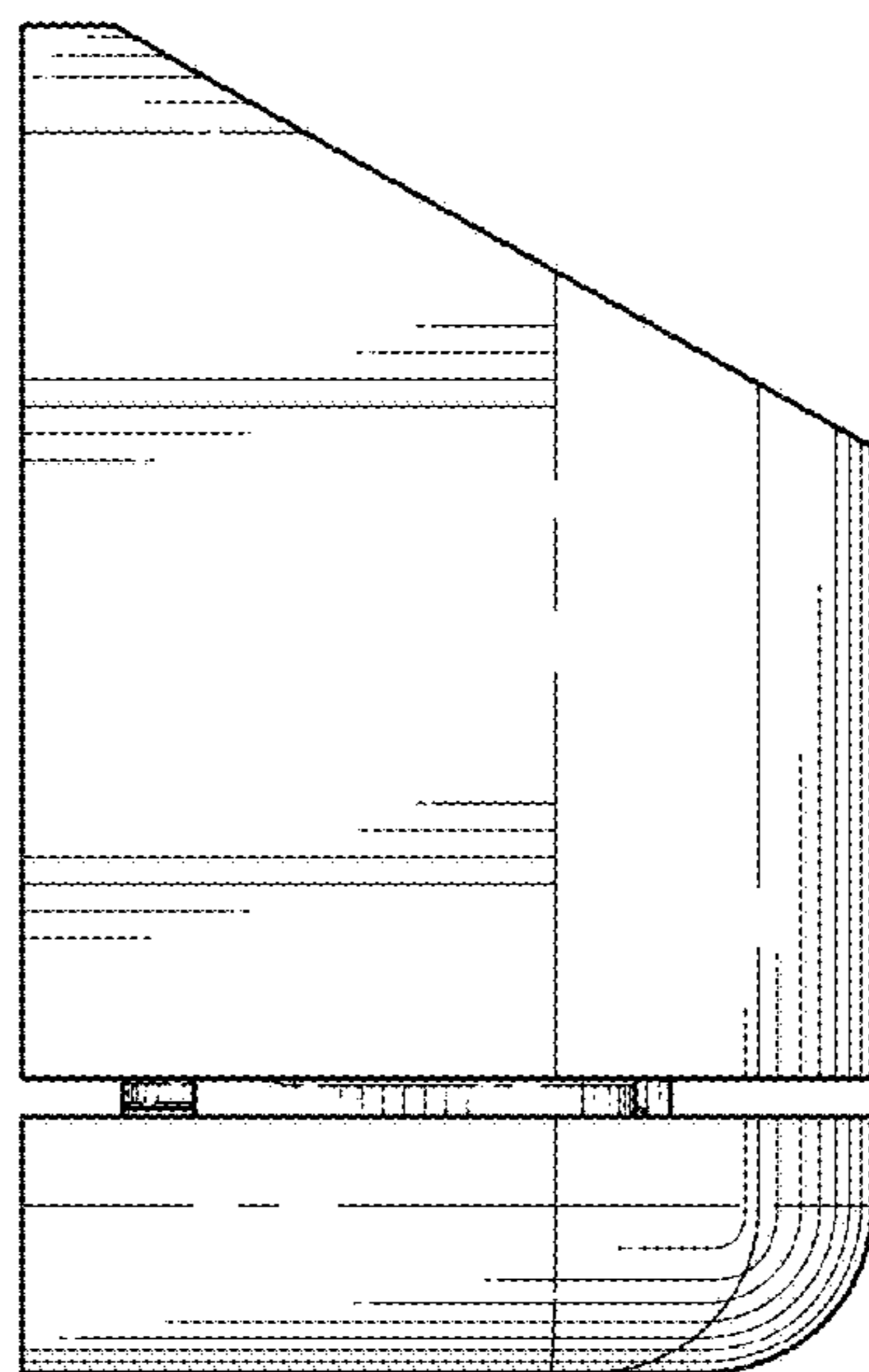


FIG. 4

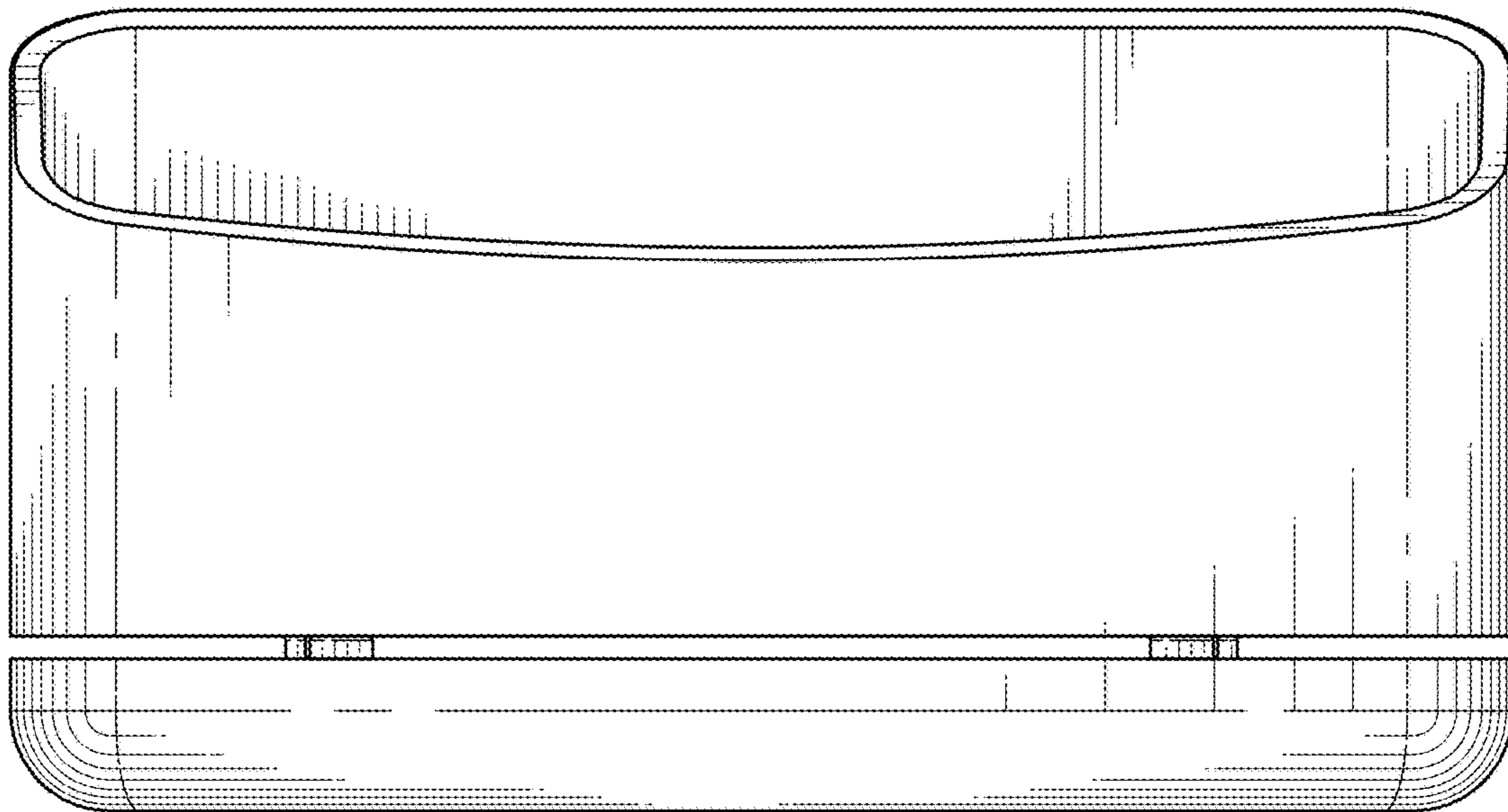


FIG. 5

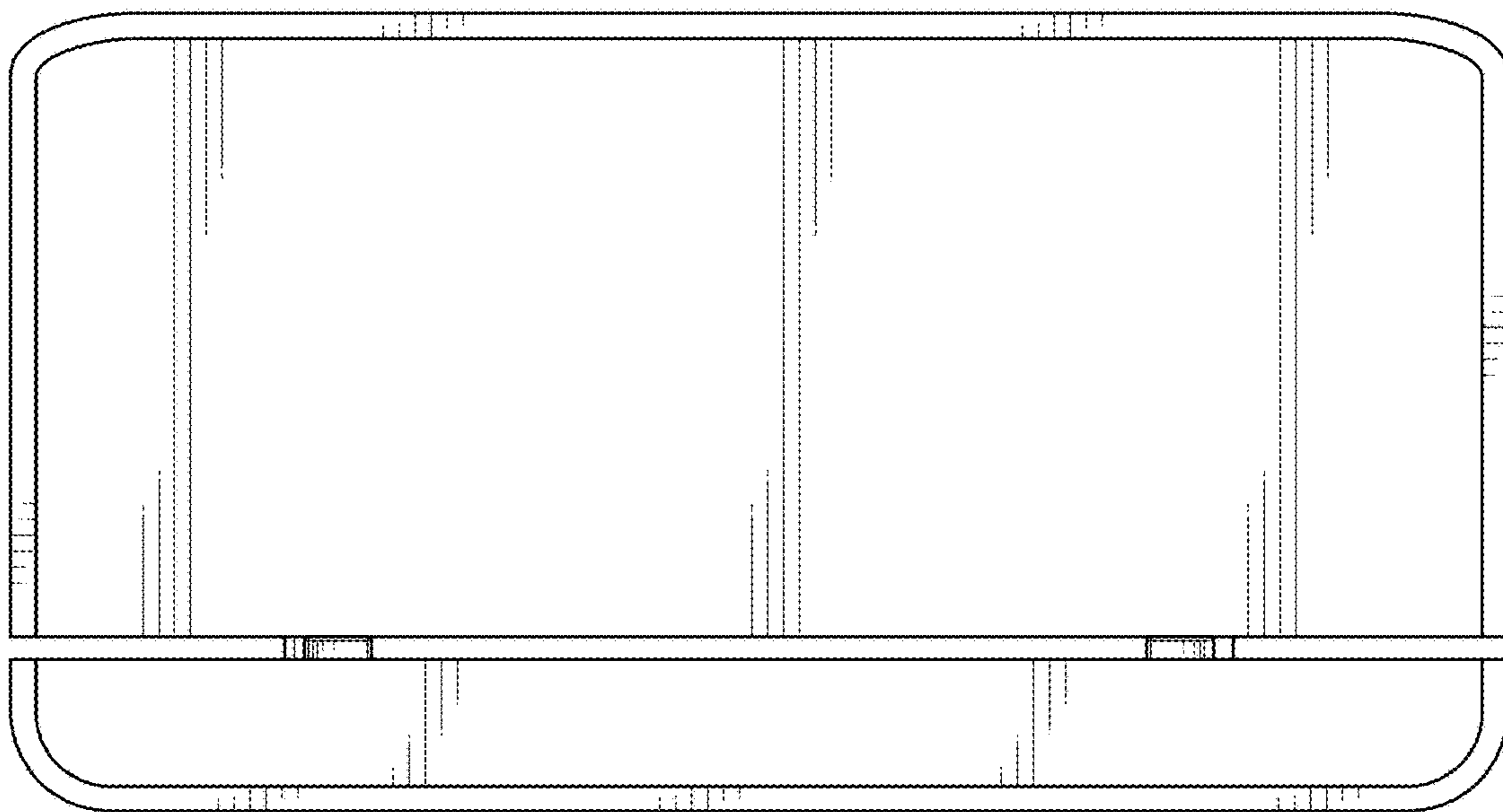


FIG. 6