



US00D805813S

(12) **United States Design Patent**
Hayward et al.

(10) **Patent No.:** **US D805,813 S**

(45) **Date of Patent:** **** Dec. 26, 2017**

(54) **TOWEL**

(71) Applicants: **Melinda Gaye Hayward**, Googong (AU); **Maria Martiniello**, Chisholm (AU)

(72) Inventors: **Melinda Gaye Hayward**, Googong (AU); **Maria Martiniello**, Chisholm (AU)

(**) **Term:** **15 Years**

(21) **Appl. No.:** **29/528,959**

(22) **Filed:** **Jun. 2, 2015**

(30) **Foreign Application Priority Data**

Dec. 2, 2014 (AU) 201416269

(51) **LOC (10) Cl.** **06-13**

(52) **U.S. Cl.**
USPC **D6/608**

(58) **Field of Classification Search**

USPC D6/582-583, 587-592, 595-609, D6/617-622; D21/318, 803-809; D24/183; D2/719, 731, 741, 823, 826
CPC A47G 9/00; A47G 2009/001; A47G 2009/002; A47G 2009/003; A47G 2009/005; A47G 2009/006; A47G 9/02; A47G 9/0207; A47G 9/0215; A47G 9/0223; A47G 9/023; A47G 9/0238; A47G 9/0246; A47G 9/0253; A47G 9/0261; A47G 9/06; A47G 9/062; A47G 9/066; A47G 9/068; A47G 9/08; A47G 2009/0276; A47G 9/0284; A47G 9/0292; A47G 9/04; A47G 9/10

See application file for complete search history.

(56) **References Cited**

U.S. PATENT DOCUMENTS

1,282,581 A * 10/1918 House A41D 13/0015
2/69
2,717,390 A * 9/1955 Houze A41D 15/00
2/105

3,522,612 A * 8/1970 Palmer A41D 15/00
2/84
D477,744 S * 7/2003 Kelly D6/603
D507,693 S * 7/2005 Walton D2/825
D674,167 S * 1/2013 Ehler D2/826
9,161,640 B2 * 10/2015 Sirok A47G 9/0207

(Continued)

Primary Examiner — Mary Ann Calabrese

Assistant Examiner — Jennifer L Rempfer

(74) *Attorney, Agent, or Firm* — Seed IP Law Group LLP

(57) **CLAIM**

The ornamental design for a towel, substantially as shown and described.

DESCRIPTION

FIG. 1 is an isometric view of a towel, showing our new design.

FIG. 2 is a front view thereof, which is a mirror image of the rear view.

FIG. 3 is a top view thereof, which is the same as the bottom view.

FIG. 4 is a right side view thereof, which is the same as the left side view.

FIG. 5 is a cross-sectional view of a portion of the towel taken along line 5-5 of FIG. 2.

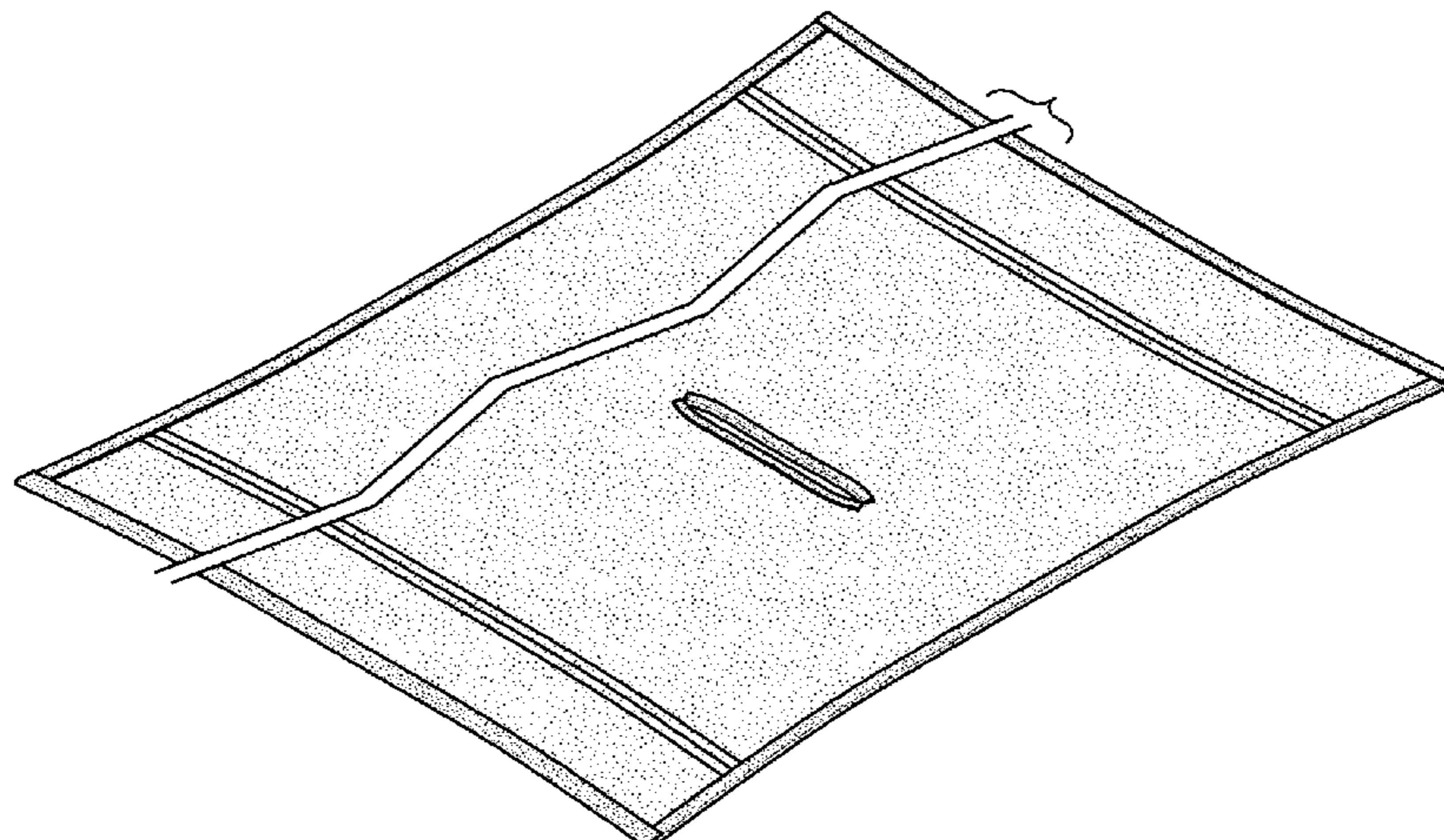
FIG. 6 is a cross-sectional view of a portion of the towel taken along line 6-6 of FIG. 2.

FIG. 7 is a cross-sectional view of a portion of the towel taken along line 7-7 of FIG. 2; and,

FIG. 8 is an enlarged detail view of a portion of the towel taken from FIG. 4.

Stippling shown in the drawings provides surface shading and is not intended to indicate surface decoration. The towel is shown with a symbolic break in its width. The appearance of any portion of the towel between the break lines forms no part of the claimed design.

1 Claim, 3 Drawing Sheets



(56)

References Cited

U.S. PATENT DOCUMENTS

2004/0237167 A1* 12/2004 Curry A41D 3/08
2/88
2006/0117480 A1* 6/2006 Younce A47G 9/062
5/417
2008/0250560 A1* 10/2008 Armstrong A47G 9/068
5/485

* cited by examiner

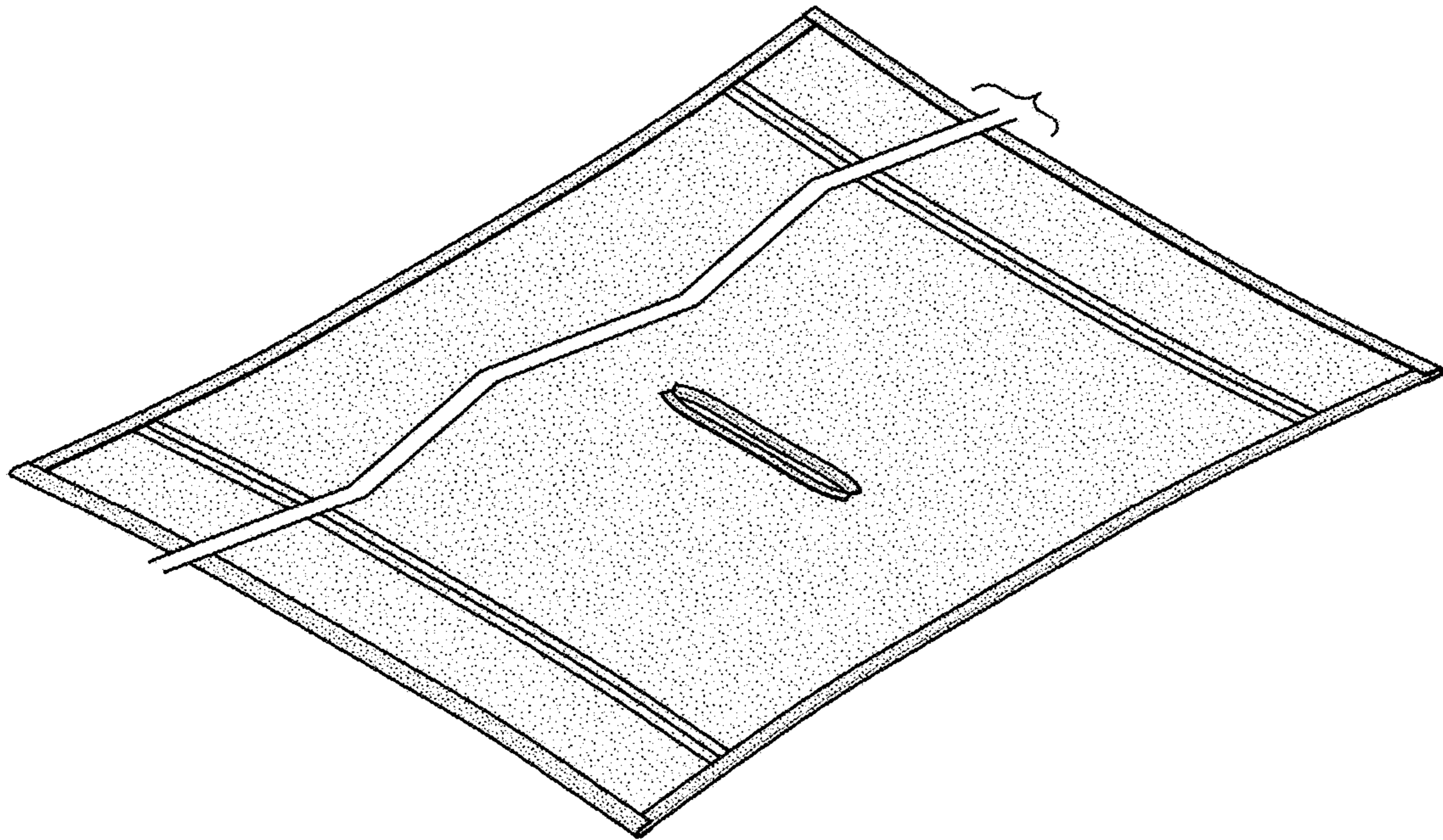


FIG. 1

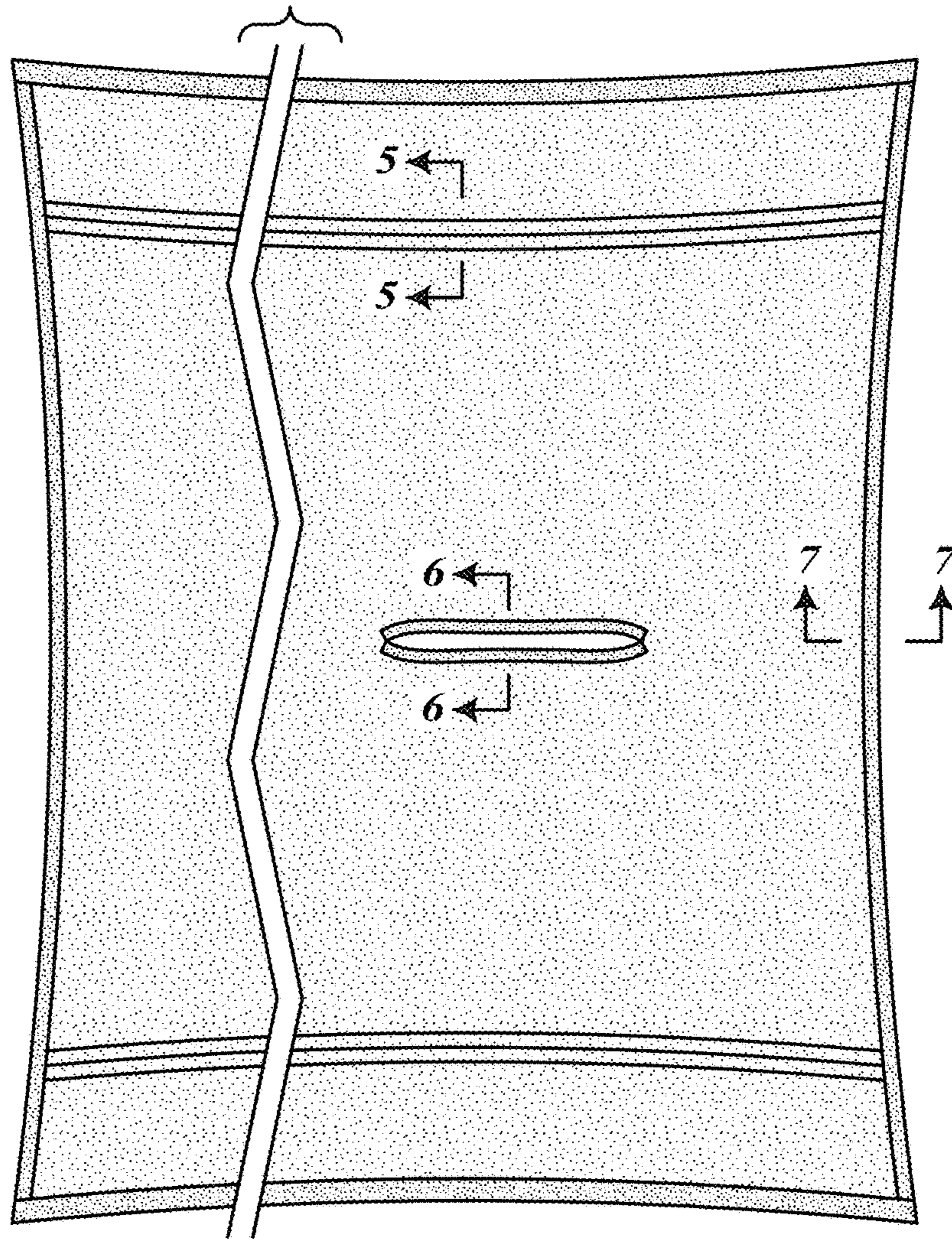


FIG. 2



FIG. 3

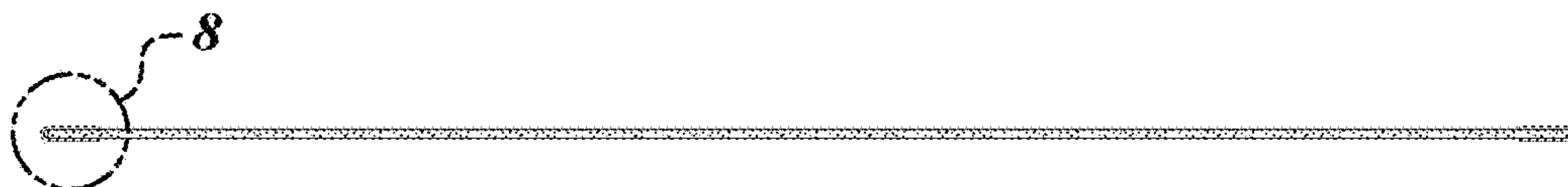


FIG. 4



FIG. 5

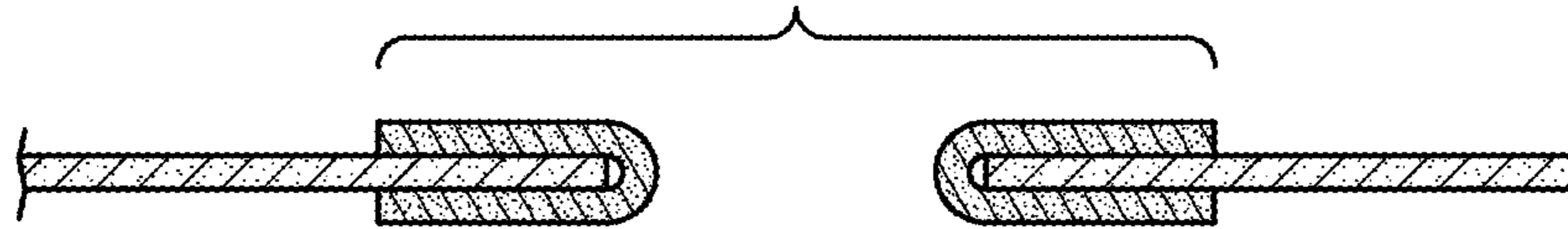


FIG. 6



FIG. 7

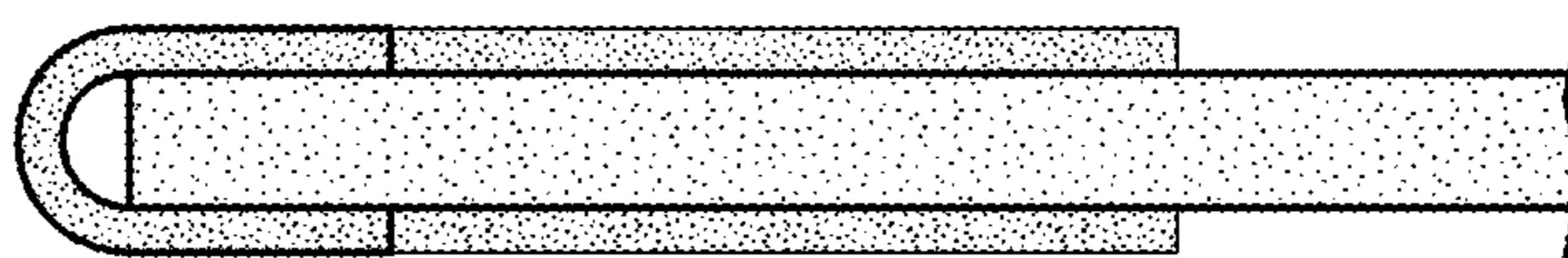


FIG. 8