



US00D805808S

(12) **United States Design Patent** (10) **Patent No.:** **US D805,808 S**
Seum et al. (45) **Date of Patent:** **** Dec. 26, 2017**

(54) **FRAME FOR INSERTABLE WALL HUNG
FIXTURES**

(71) Applicant: **Grohe AG**, Hemer (DE)

(72) Inventors: **Michael Seum**, Duesseldorf (DE);
Mirko Goetzen, Duesseldorf (DE)

(73) Assignee: **Grohe AG**, Hemer (DE)

(**) Term: **15 Years**

(21) Appl. No.: **29/563,991**

(22) Filed: **May 10, 2016**

(30) **Foreign Application Priority Data**

Nov. 11, 2015 (EM) 002854687-0001

(51) **LOC (10) Cl.** **23-01**

(52) **U.S. Cl.**
USPC **D6/553**

(58) **Field of Classification Search**
USPC D6/553, 512-514, 566, 567, 569, 315,
D6/320, 327, 552; 211/13.1, 30, 32,
211/70.6, 56.01, 87.01, 181.1; D8/349,
D8/354, 367, 372; 248/301-304, 309.1,
248/309.2, 560, 121, 175, 200, 310, 312
CPC F16M 13/00; F16B 5/02; F16B 37/04
See application file for complete search history.

(56) **References Cited**

U.S. PATENT DOCUMENTS

6,102,217 A * 8/2000 Mathy A47B 81/002
211/188
D443,452 S * 6/2001 Kauzlarich D6/545

D443,781 S * 6/2001 Kauzlarich D6/545
D454,017 S * 3/2002 Kauzlarich D6/545
D461,080 S * 8/2002 Bartholomew D6/515
D545,602 S * 7/2007 Hurt D6/566
D569,669 S * 5/2008 Nichols D6/545
D604,973 S * 12/2009 Morrison D6/515
D621,187 S * 8/2010 Hubbard D6/515
D702,816 S * 4/2014 Ryu D23/228
2016/0155286 A1 * 6/2016 Yasaka G07F 11/24
221/14

* cited by examiner

Primary Examiner — David G Muller

Assistant Examiner — Nathan M Johnston

(74) *Attorney, Agent, or Firm* — Muncy, Geissler, Olds &
Lowe, P.C.

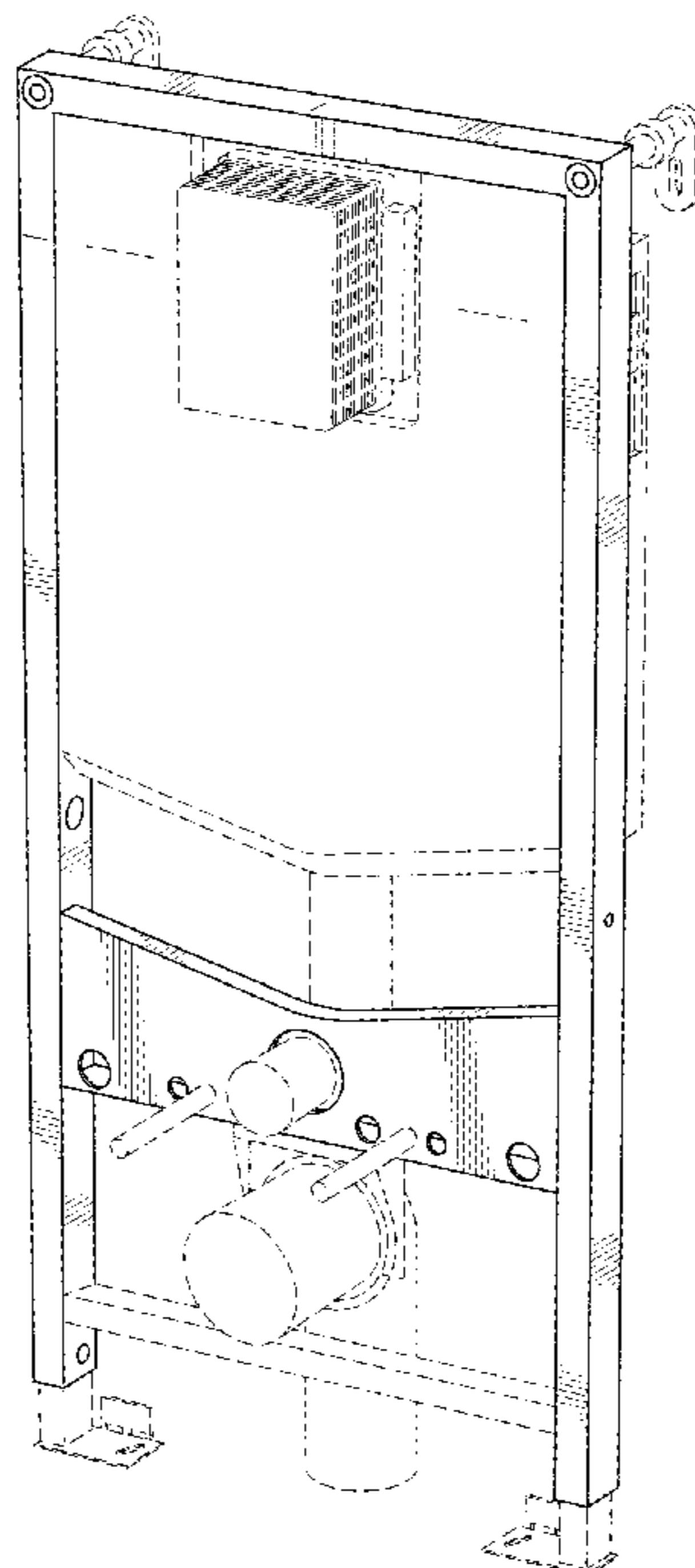
(57) **CLAIM**

The ornamental design for a frame for insertable wall hung fixtures, as shown and described.

DESCRIPTION

FIG. 1 is a perspective view of a frame for insertable wall hung fixtures showing our new design.
FIG. 2 is a front elevation view thereof.
FIG. 3 is a rear elevation view thereof.
FIG. 4 is a right side elevation view thereof.
FIG. 5 is a left side elevation view thereof.
FIG. 6 is a top plan view thereof; and,
FIG. 7 is a bottom plan view thereof.
The features shown in broken lines depict environmental structure only and form no part of the claimed design.

1 Claim, 7 Drawing Sheets



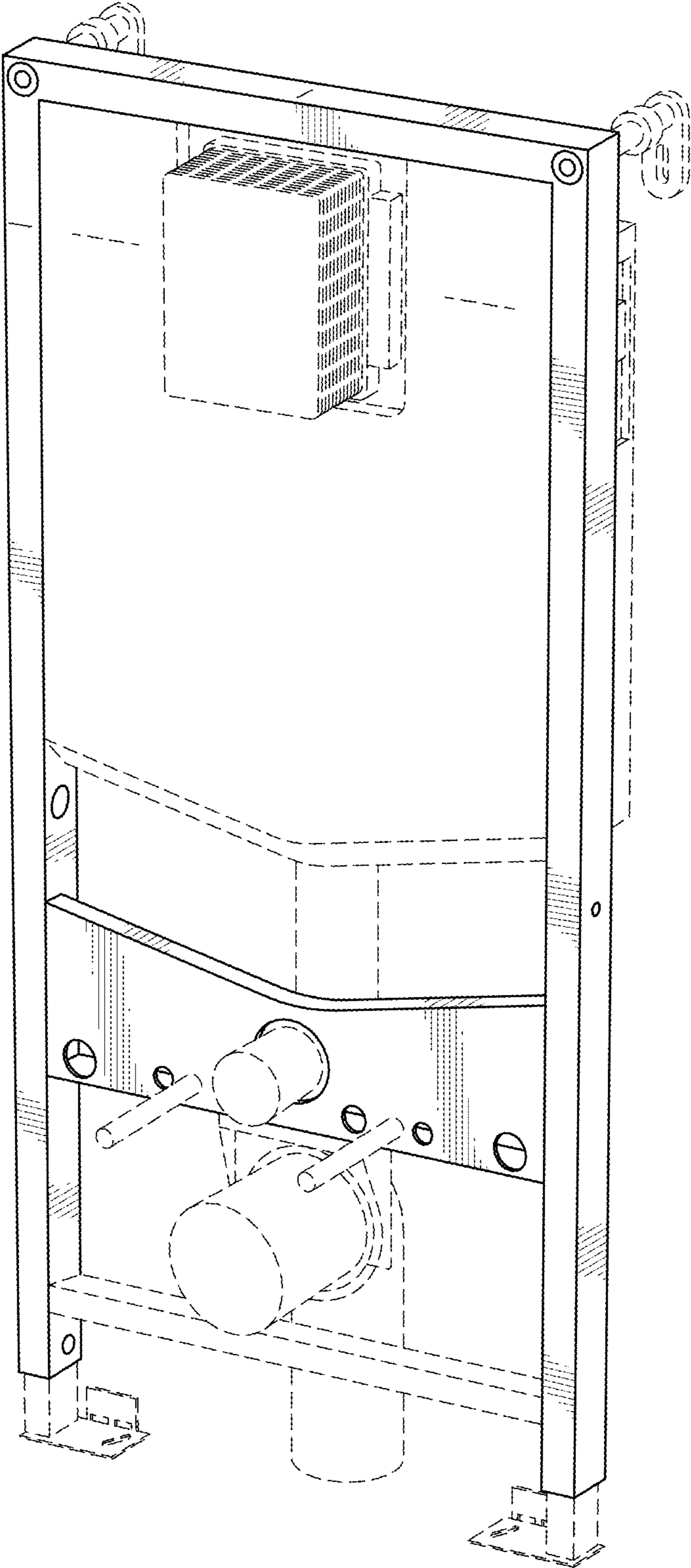


FIG.1

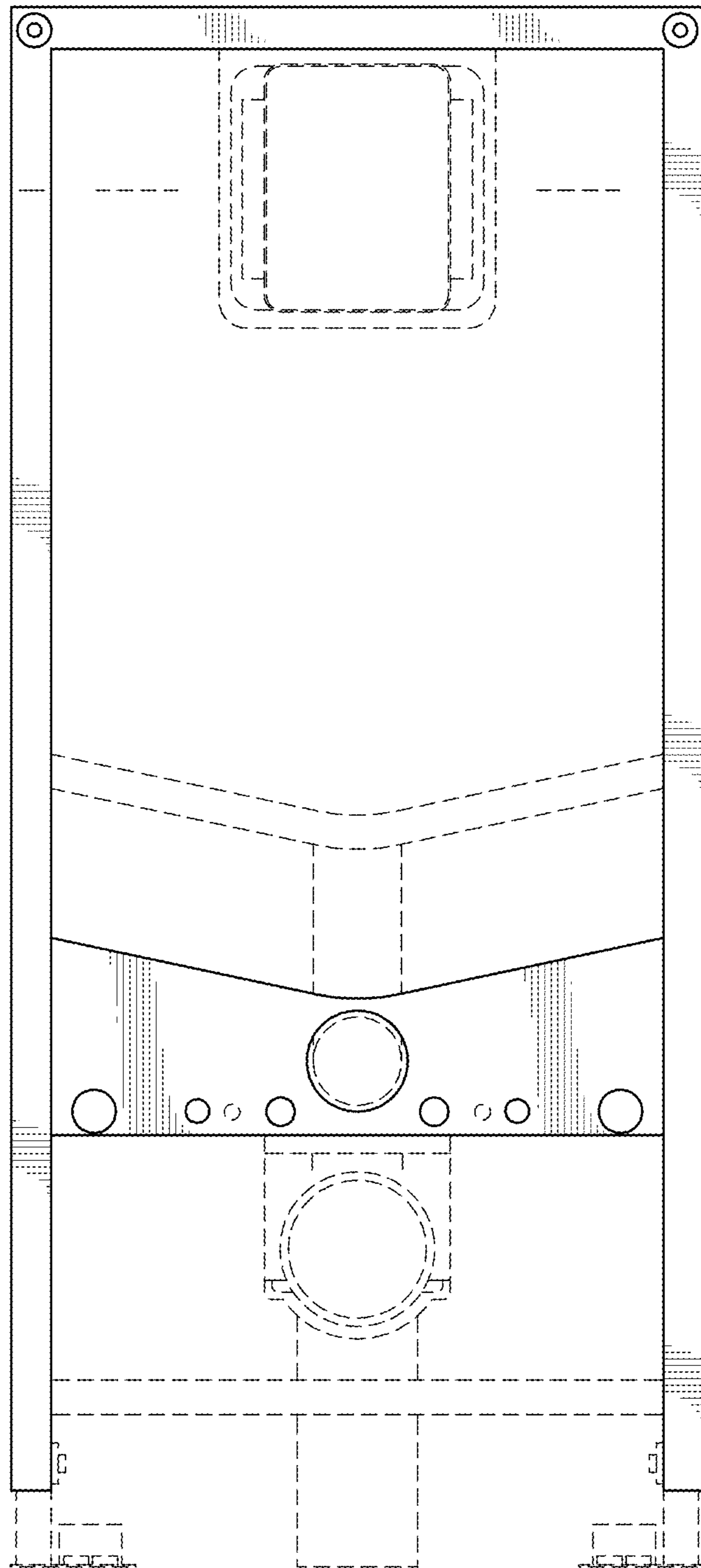


FIG.2

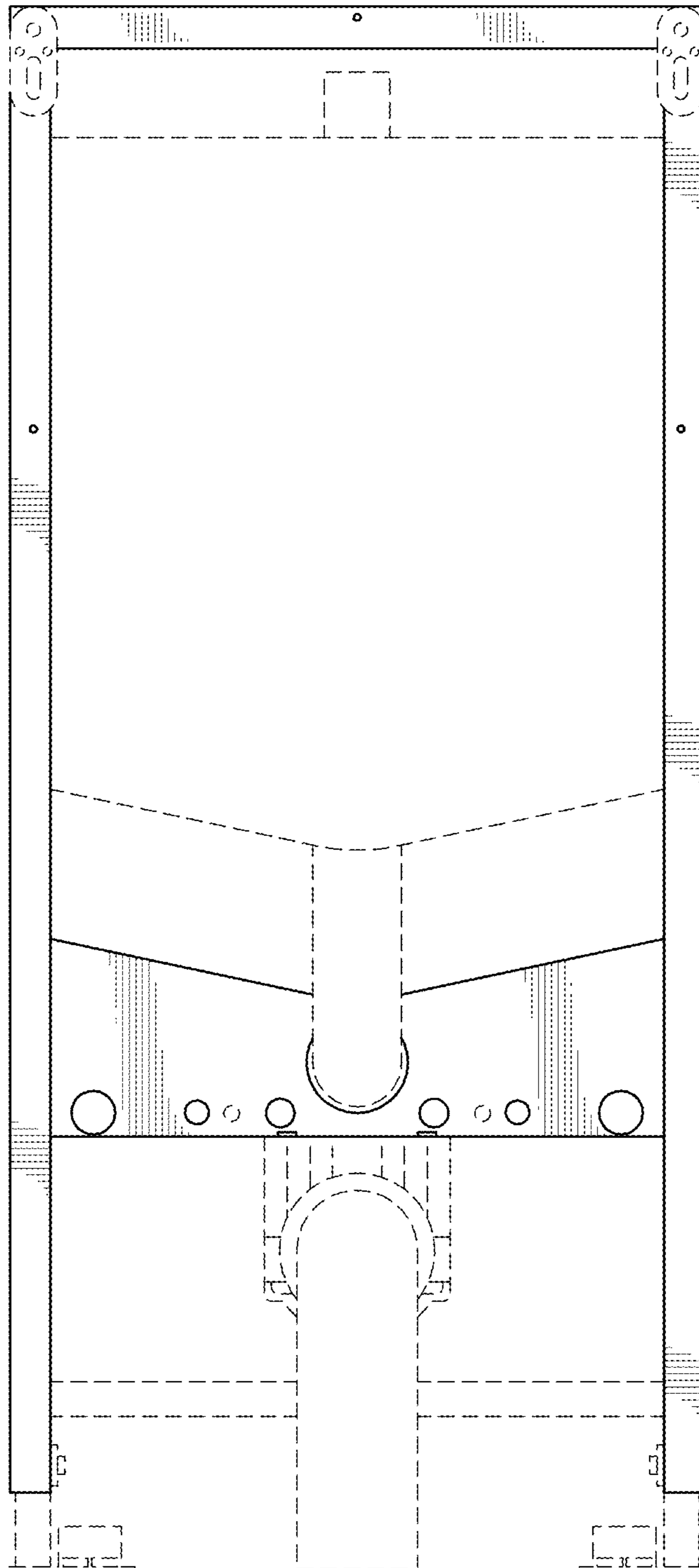


FIG.3

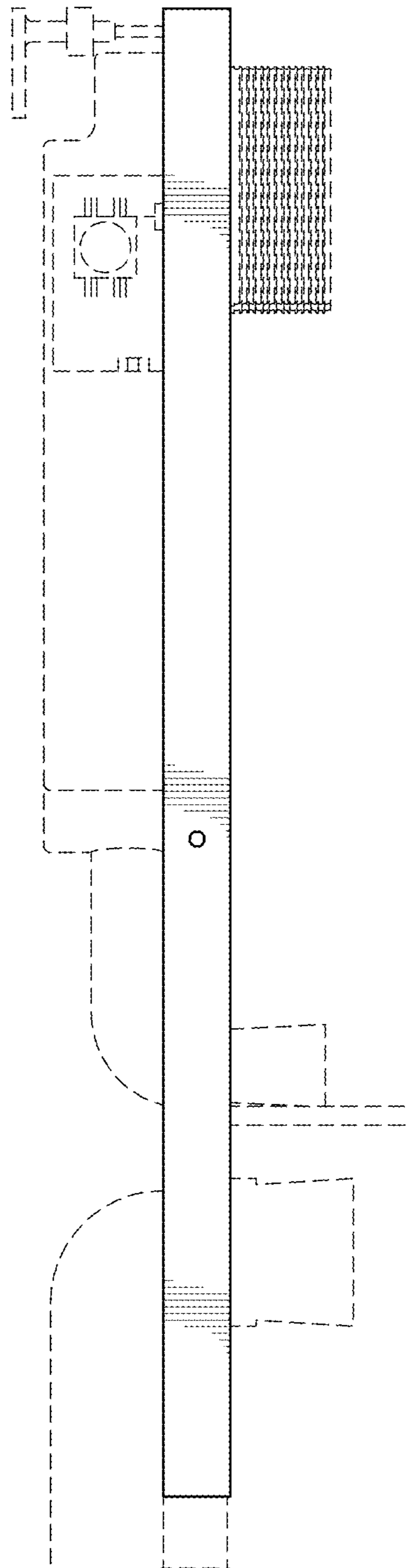


FIG.4

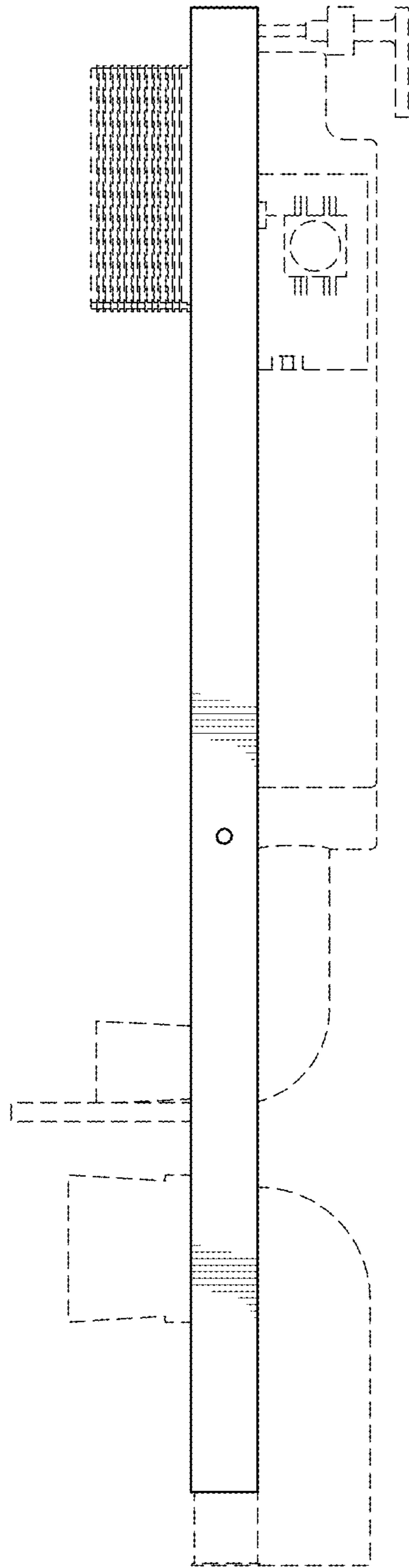


FIG.5

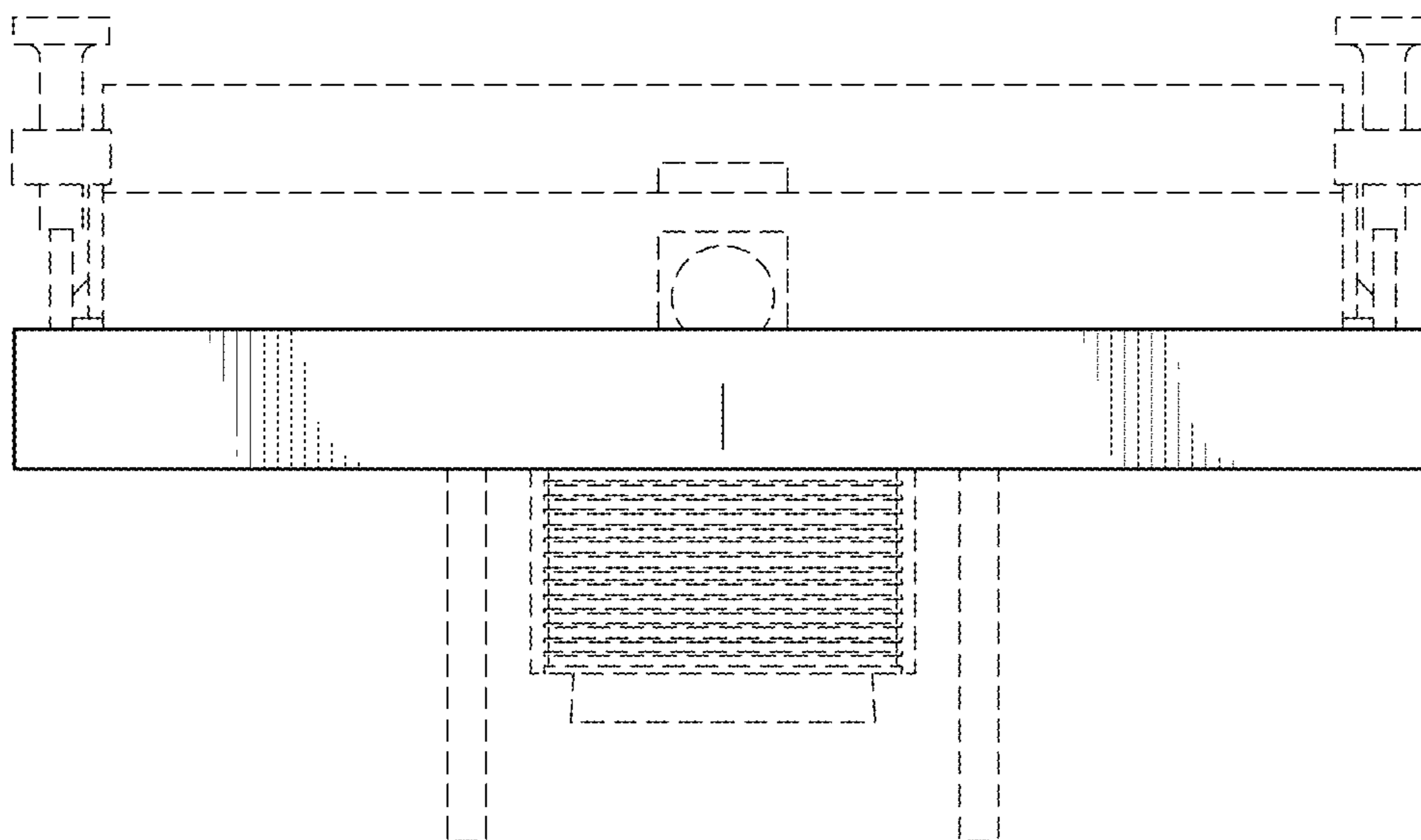


FIG. 6

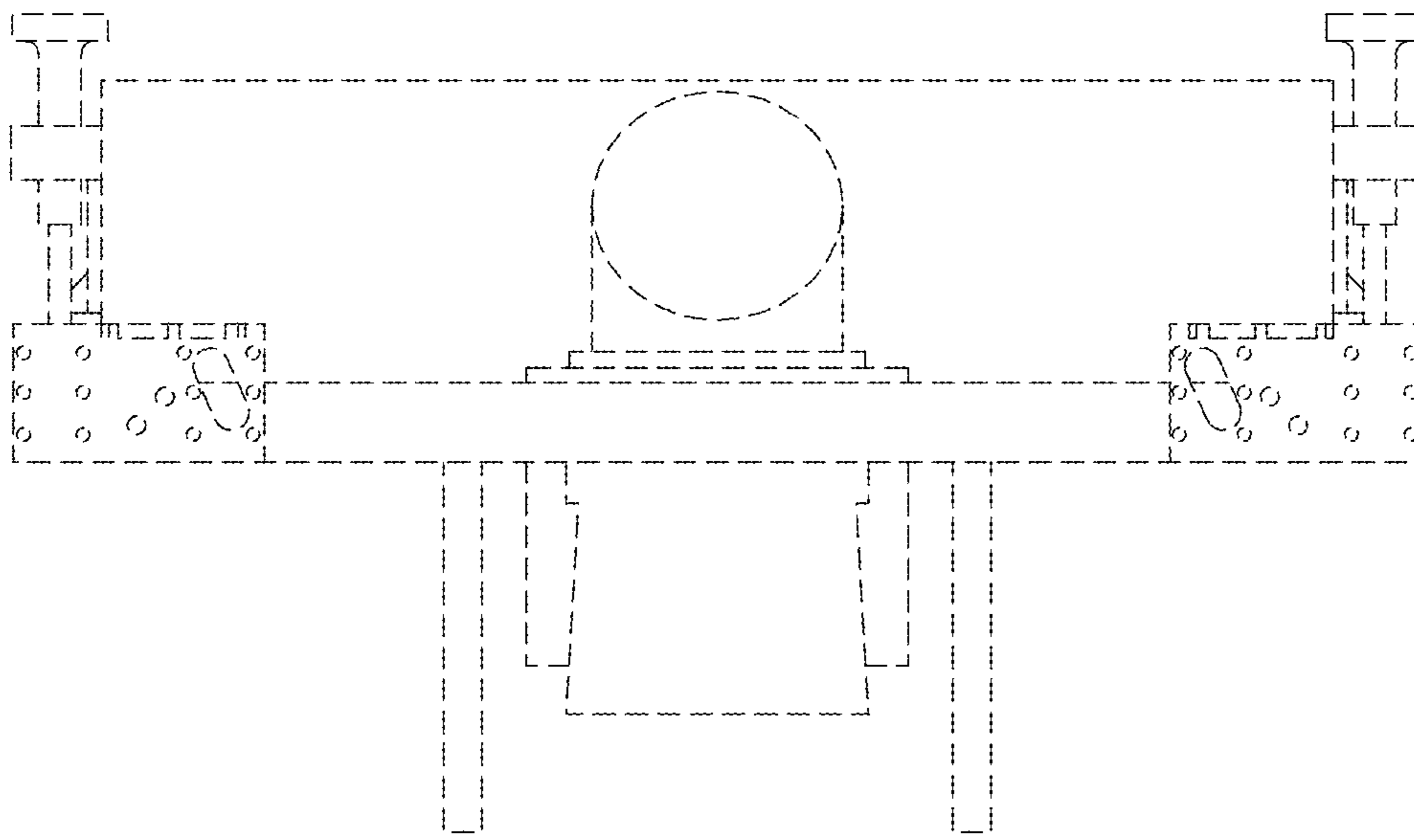


FIG.7