



US00D805806S

(12) **United States Design Patent**
Goodman

(10) **Patent No.:** **US D805,806 S**

(45) **Date of Patent:** **** Dec. 26, 2017**

(54) **BAG HOLDER AND TOWEL BAR**

(71) Applicant: **Spectrum Diversified Designs, LLC**,
Streetsboro, OH (US)

(72) Inventor: **Sheldon Goodman**, Solon, OH (US)

(73) Assignee: **Spectrum Diversified Designs, LLC**,
Streetsboro, OH (US)

(**) Term: **15 Years**

(21) Appl. No.: **29/579,358**

(22) Filed: **Sep. 29, 2016**

(51) **LOC (10) Cl.** **09-09**

(52) **U.S. Cl.**
USPC **D6/546**

(58) **Field of Classification Search**

USPC D6/513, 514, 518-520, 522, 546-550,
D6/574; D8/300, 315, 370; D34/6;
248/95, 97, 98, 99, 100
CPC . B65B 67/1227; B65B 67/12; B65B 67/1238;
B65F 1/141; B65F 1/1415; B65F 1/0066
See application file for complete search history.

(56) **References Cited**

U.S. PATENT DOCUMENTS

D584,085 S * 1/2009 Hendrickson D6/546
D699,967 S 2/2014 Goodman et al.

D700,453 S 3/2014 Goodman et al.
D701,058 S 3/2014 Goodman et al.
D770,801 S * 11/2016 Goodman D6/549
D784,727 S * 4/2017 Goodman D6/513
D785,369 S 5/2017 Goodman
D794,895 S * 8/2017 Goodman D34/6

* cited by examiner

Primary Examiner — Wan Laymon

Assistant Examiner — Mark Booker

(74) *Attorney, Agent, or Firm* — Tucker Ellis LLP;
Patrick F. Clunk

(57) **CLAIM**

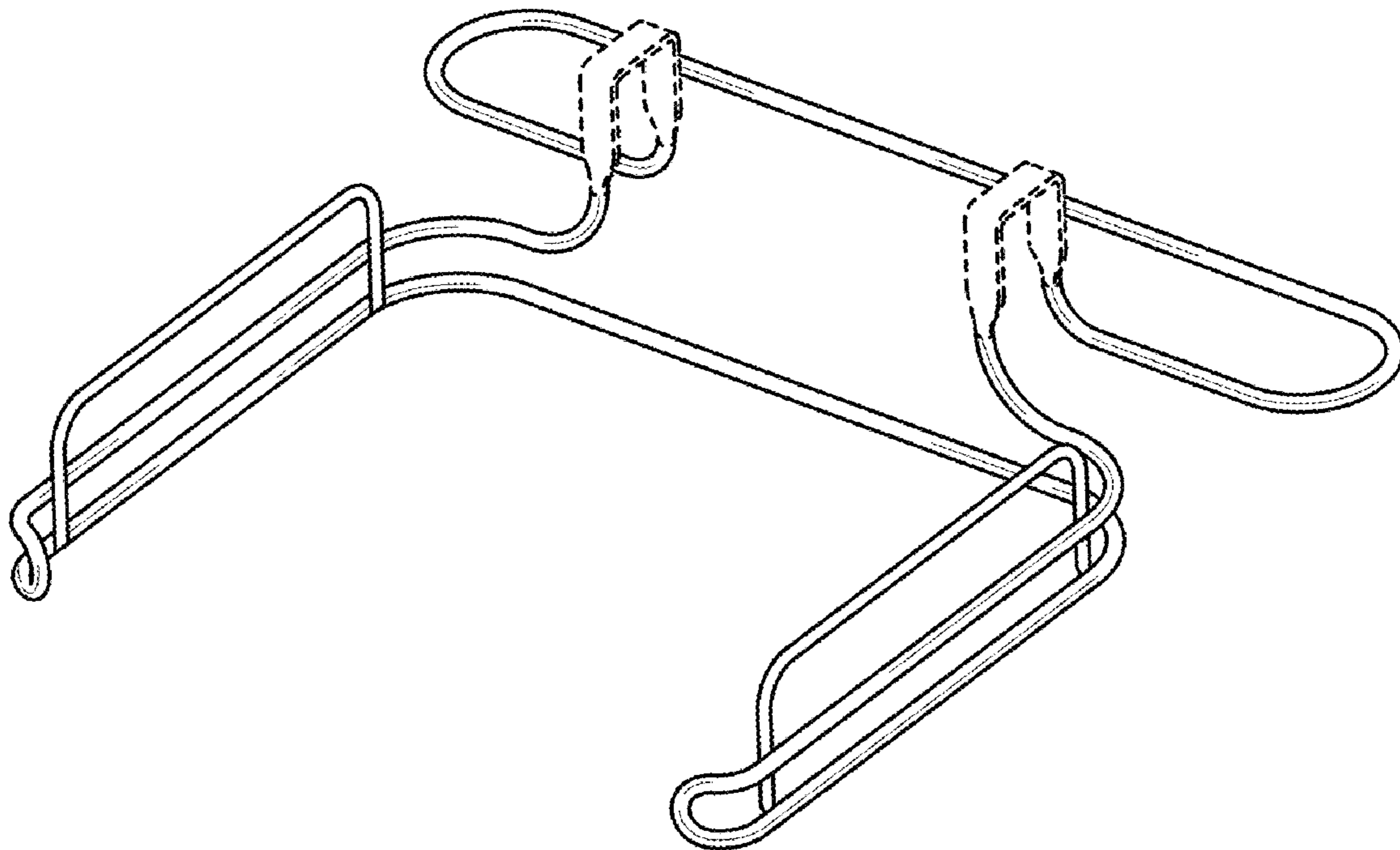
The ornamental design for a bag holder and towel bar, as shown and described.

DESCRIPTION

FIG. 1 is a perspective view of a bag holder and towel bar showing my new design;
FIG. 2 is a front view thereof;
FIG. 3 is a rear view thereof;
FIG. 4 is a right side view; a left side view being a mirror image of the right side view;
FIG. 5 is a top view thereof; and,
FIG. 6 is a bottom view thereof.

The broken lines shown herein are for illustrative purposes only and form no part of the claimed design.

1 Claim, 4 Drawing Sheets



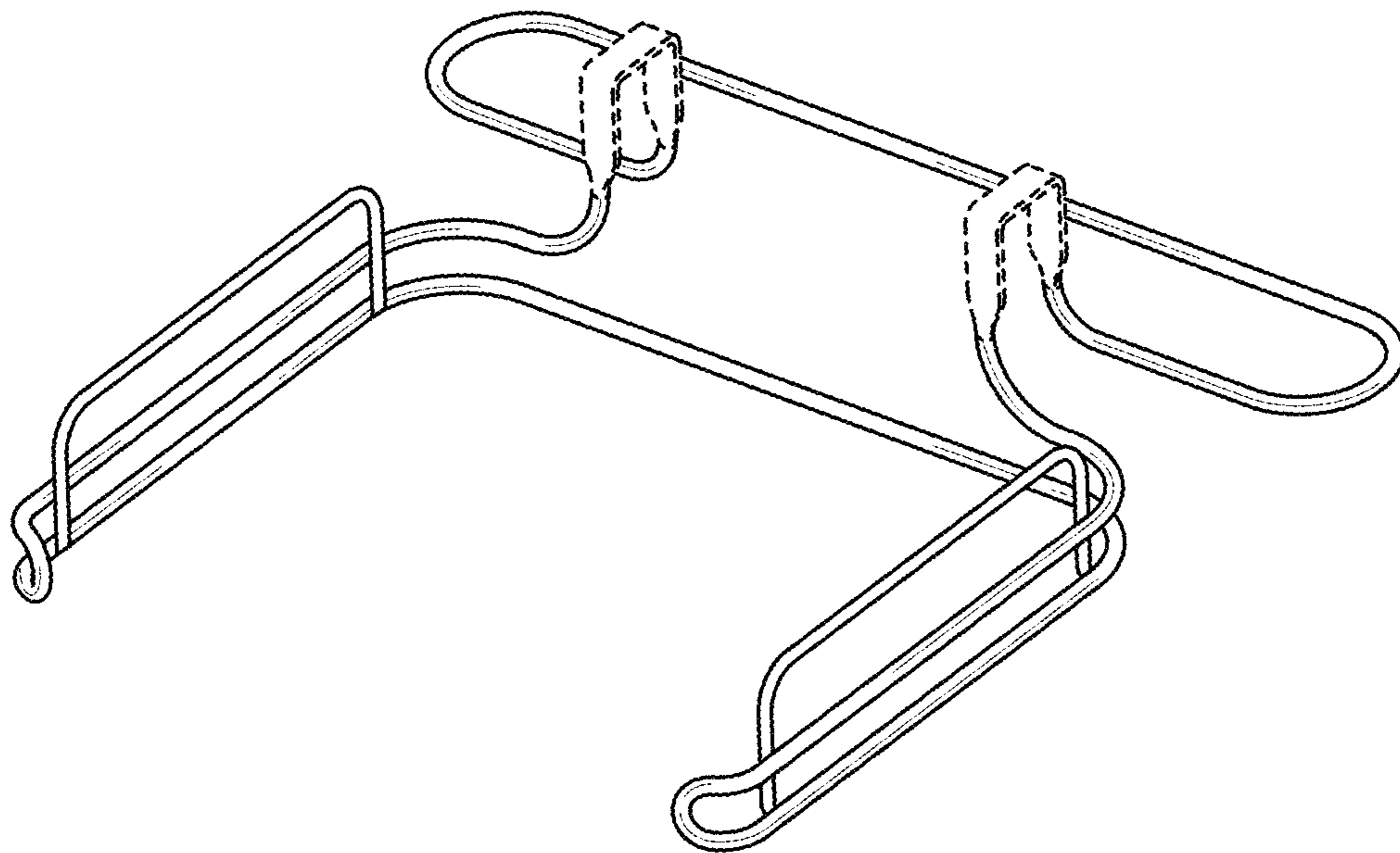


FIG. 1

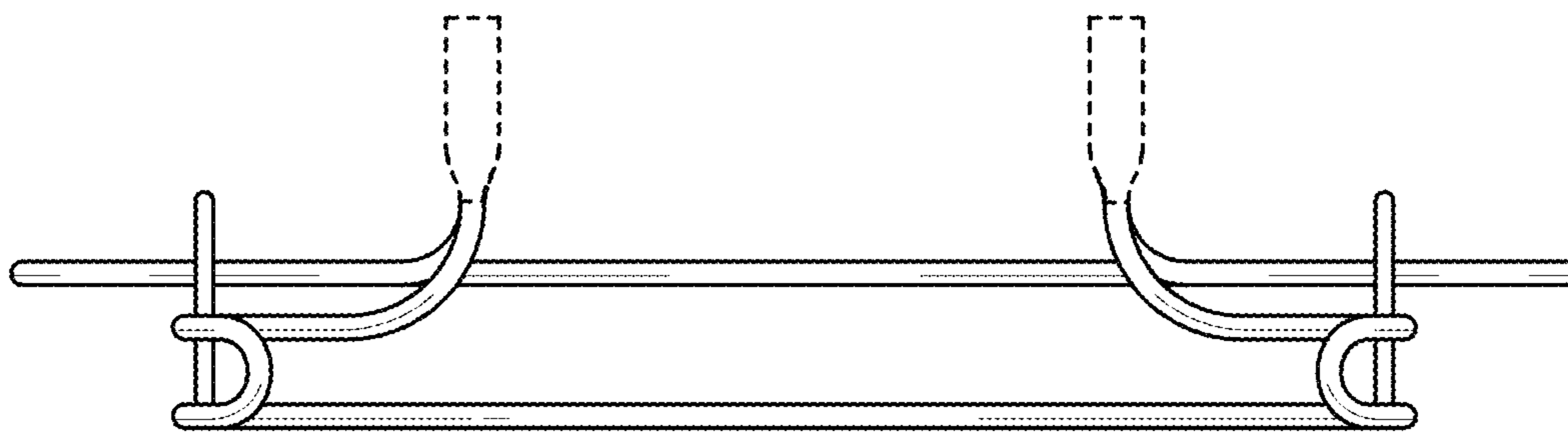


FIG. 2

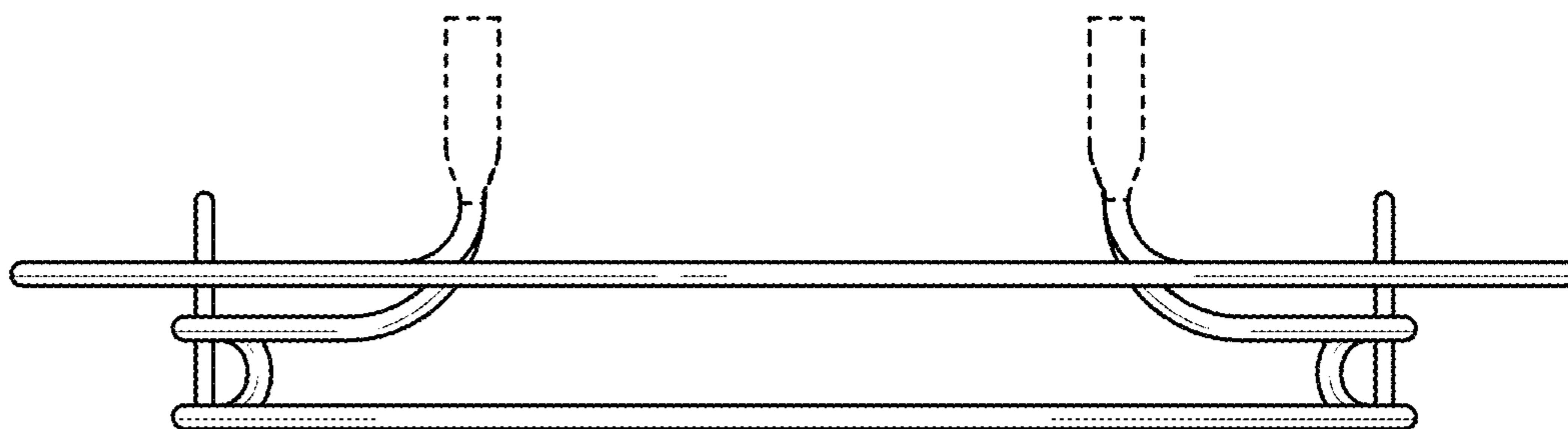


FIG. 3

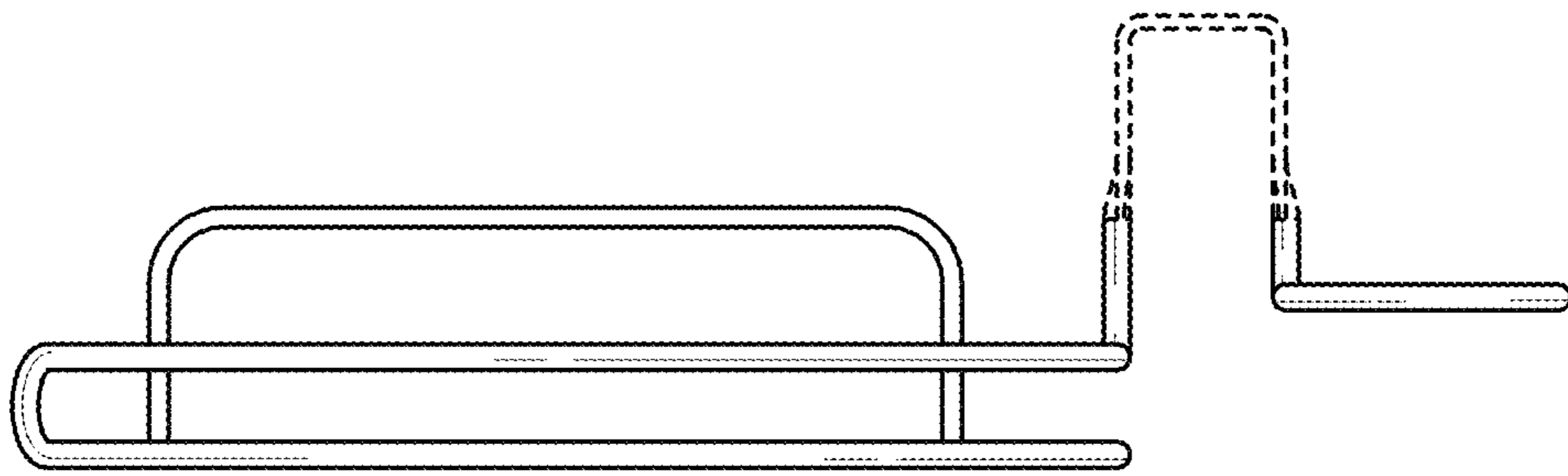


FIG. 4

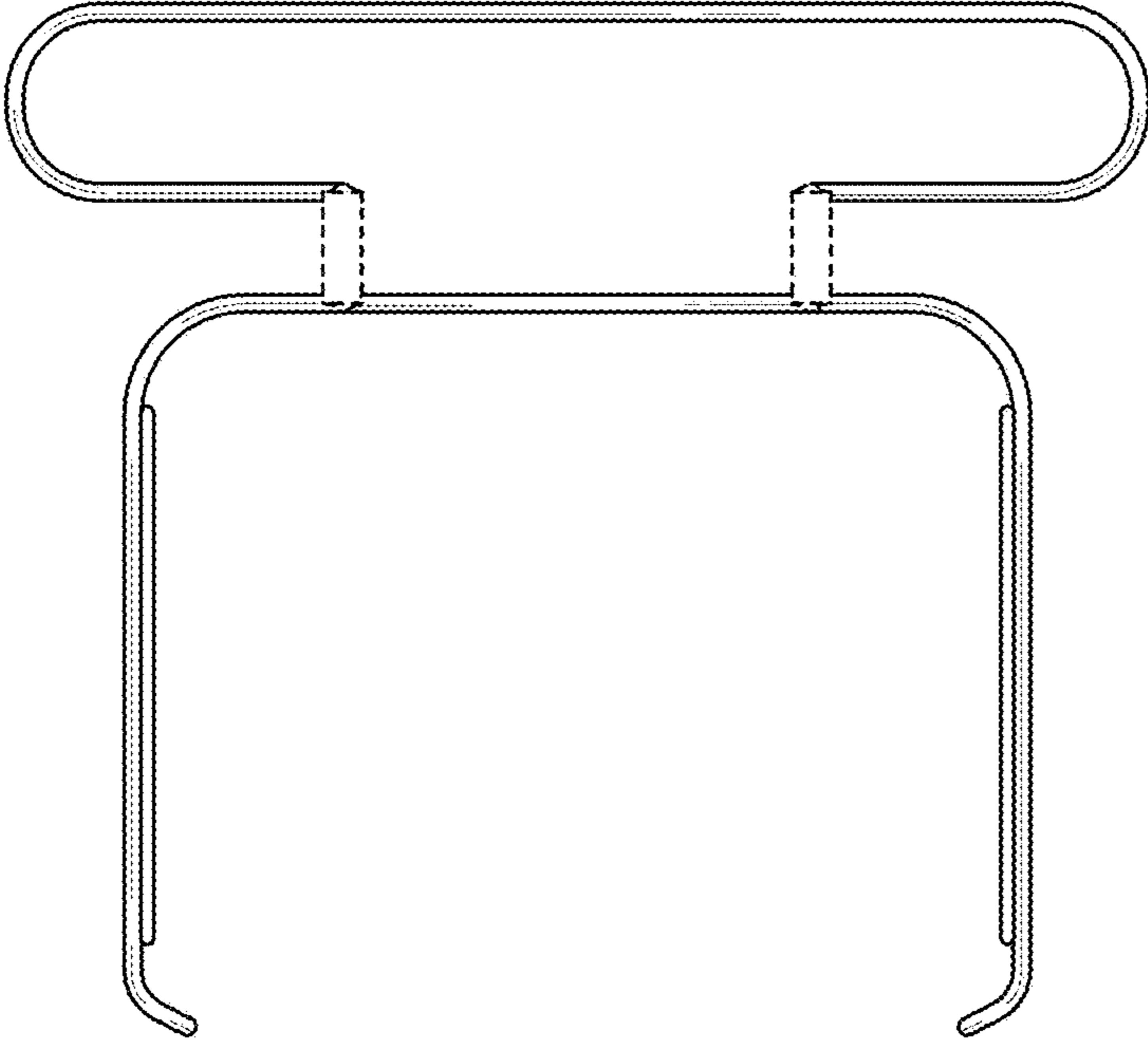


FIG. 5

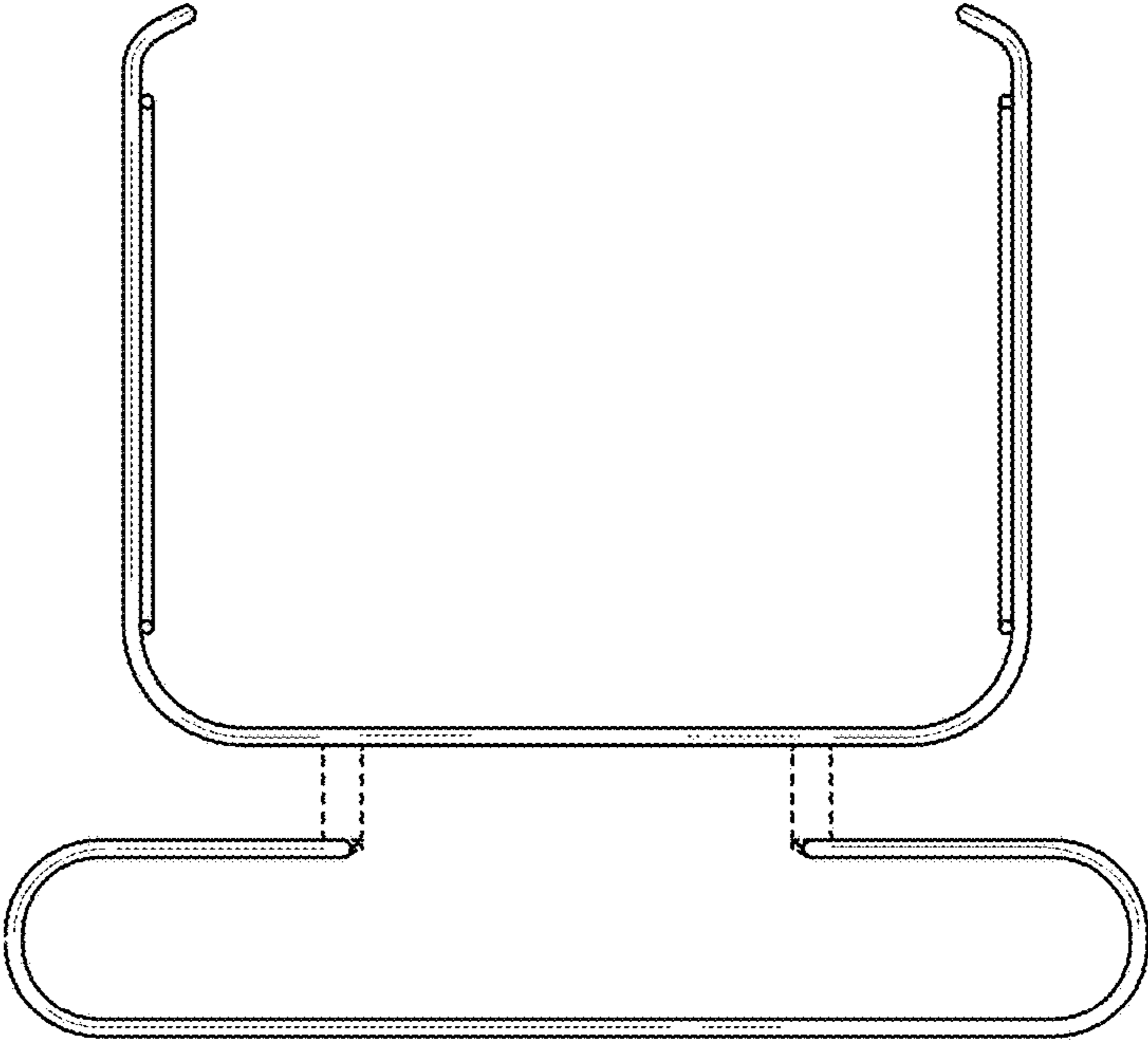


FIG. 6