



US00D805803S

(12) **United States Design Patent**
Berger

(10) **Patent No.:** **US D805,803 S**

(45) **Date of Patent:** **** Dec. 26, 2017**

(54) **TISSUE DISPENSER WITH PHOTOGRAPH DISPLAY**

(71) Applicant: **FOTOBOX, LLC**, Lake Worth, FL (US)

(72) Inventor: **Burton William Berger**, Lake Worth, FL (US)

(**) Term: **15 Years**

(21) Appl. No.: **29/536,049**

(22) Filed: **Aug. 12, 2015**

(51) **LOC (10) Cl.** **20-02**

(52) **U.S. Cl.**
USPC **D6/519**; D6/518

(58) **Field of Classification Search**
USPC D6/518-524, 546-550; 108/28-29; 211/13.1, 16, 60.1, 86.01, 87.01, 88.01, 211/88.04, 100, 105.1, 105.2, 123, 181.1, 211/182; 248/175, 176.1, 251, 302; 16/110.1, 415; 242/570, 590, 595-598, 242/597.7; D8/300, 303, 315-321; 220/216
CPC A47K 10/38; A47K 2010/3266; A47K 2010/3253; A47K 10/421; B65D 83/0805
See application file for complete search history.

(56) **References Cited**

U.S. PATENT DOCUMENTS

- 3,579,859 A * 5/1971 Malenge A63F 9/06 40/437
- 3,791,601 A * 2/1974 Broden A47K 10/3827 206/409
- 4,185,125 A * 1/1980 Sakakibara A23L 7/111 426/439
- D399,648 S * 10/1998 Hilton D3/201
- 5,908,265 A * 6/1999 Mostkoff A01K 61/006 405/21

- 6,172,665 B1 * 1/2001 Bullister G06F 3/0213 345/163
- D464,513 S * 10/2002 Ong D6/518
- D561,989 S * 2/2008 Jones D3/201
- D634,954 S * 3/2011 Montoya D6/523
- D658,414 S * 5/2012 Renzelman D6/523

(Continued)

Primary Examiner — David G Muller
Assistant Examiner — Nathan M Johnston

(57) **CLAIM**

The ornamental design for a tissue dispenser with photograph display, as shown and described.

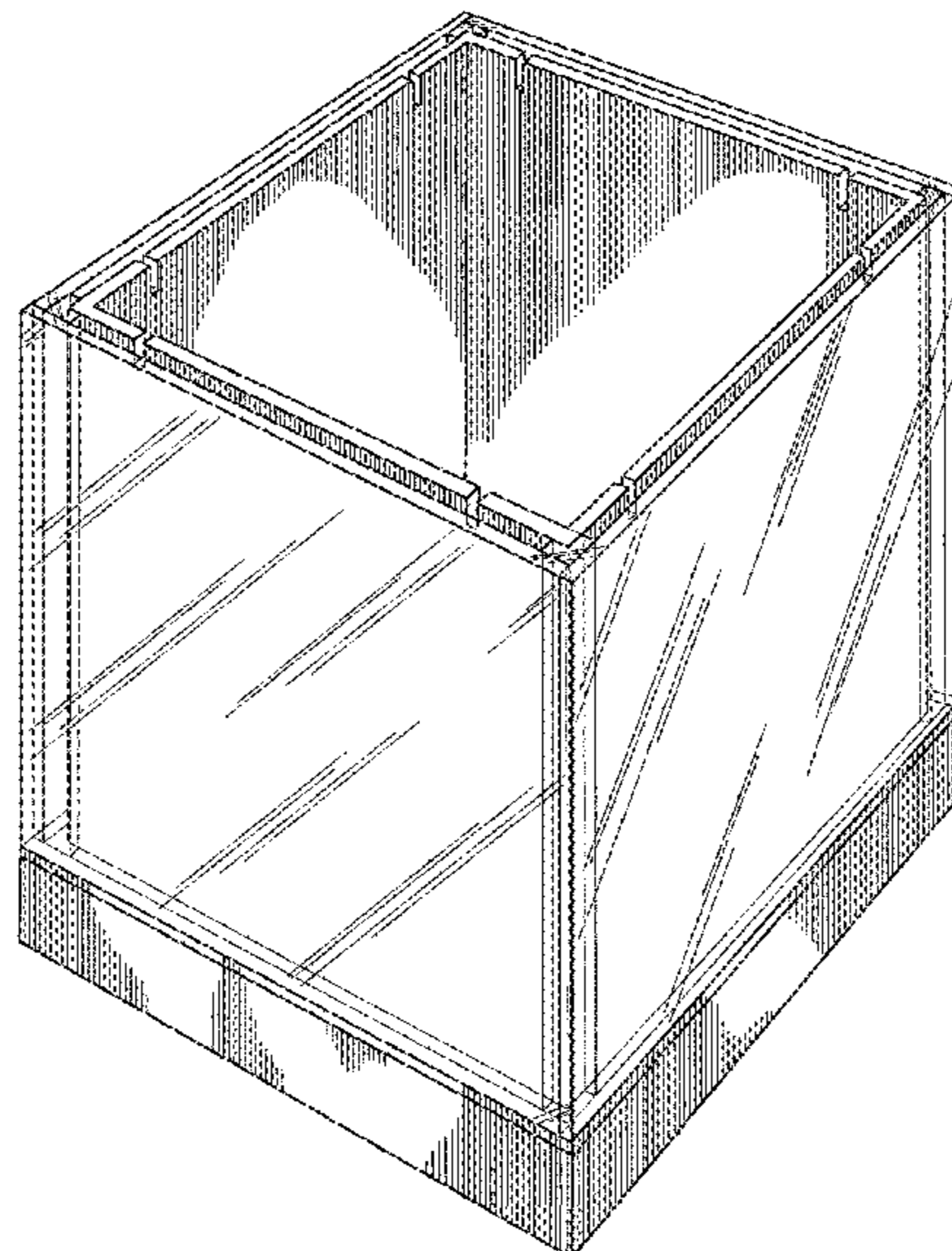
DESCRIPTION

FIG. 1 is an isometric view of tissue dispenser with photograph display showing my new design with the lid removed; FIG. 2 is an isometric view of the dispenser with the lid applied and a portion cut away; FIG. 3 is a top plan view thereof with the lid removed; FIG. 4 is a front elevation view thereof with the lid applied, the rear elevation, left side elevation, and right side elevation being identical; FIG. 5 is a cross sectional view thereof taken from line 5-5 in FIG. 7; FIG. 6 is a cross sectional view thereof showing the lid separated, taken from line 6-6 in FIG. 7; FIG. 7 is a top plan view thereof with the lid applied; and, FIG. 8 is a bottom plan view thereof.

The broken line showing of parts of the drawings is included for the purpose of illustrating use and environment and forms no part of the claimed design.

The primary criteria for the design was to create the optimum viewing of photographs on all four sides and to allow the dispensing of facial tissues. Further, the design was intended to replace both the tissue box and the many photograph frames from the furniture where photographs are normally displayed, and tissues are dispensed.

1 Claim, 8 Drawing Sheets



(56)

References Cited

U.S. PATENT DOCUMENTS

D690,126 S * 9/2013 Ogawa D6/518
8,960,494 B1 * 2/2015 Gluck B65D 83/0805
221/101
2001/0052477 A1 * 12/2001 McNeill B65D 83/0805
206/494

* cited by examiner

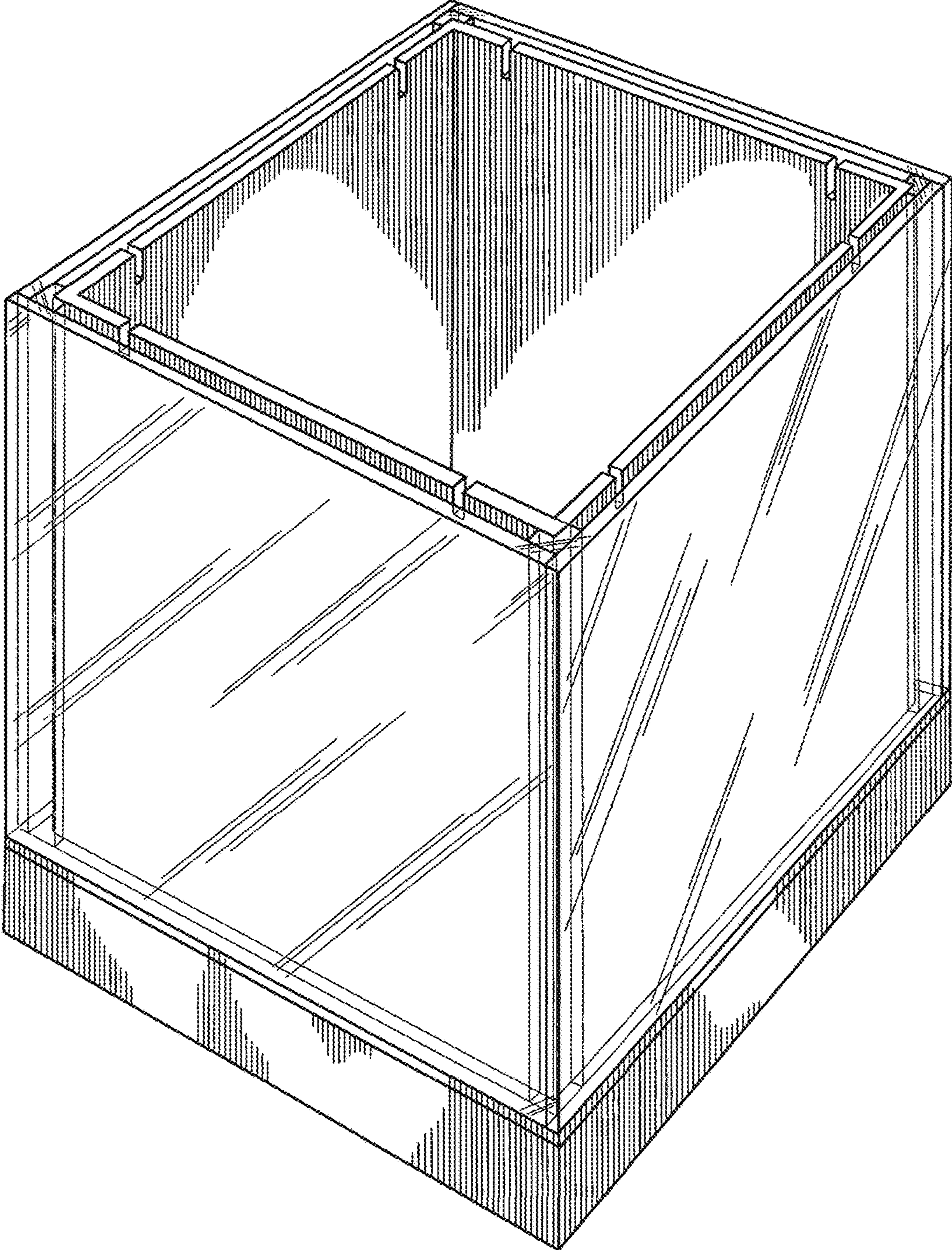


FIG. 1

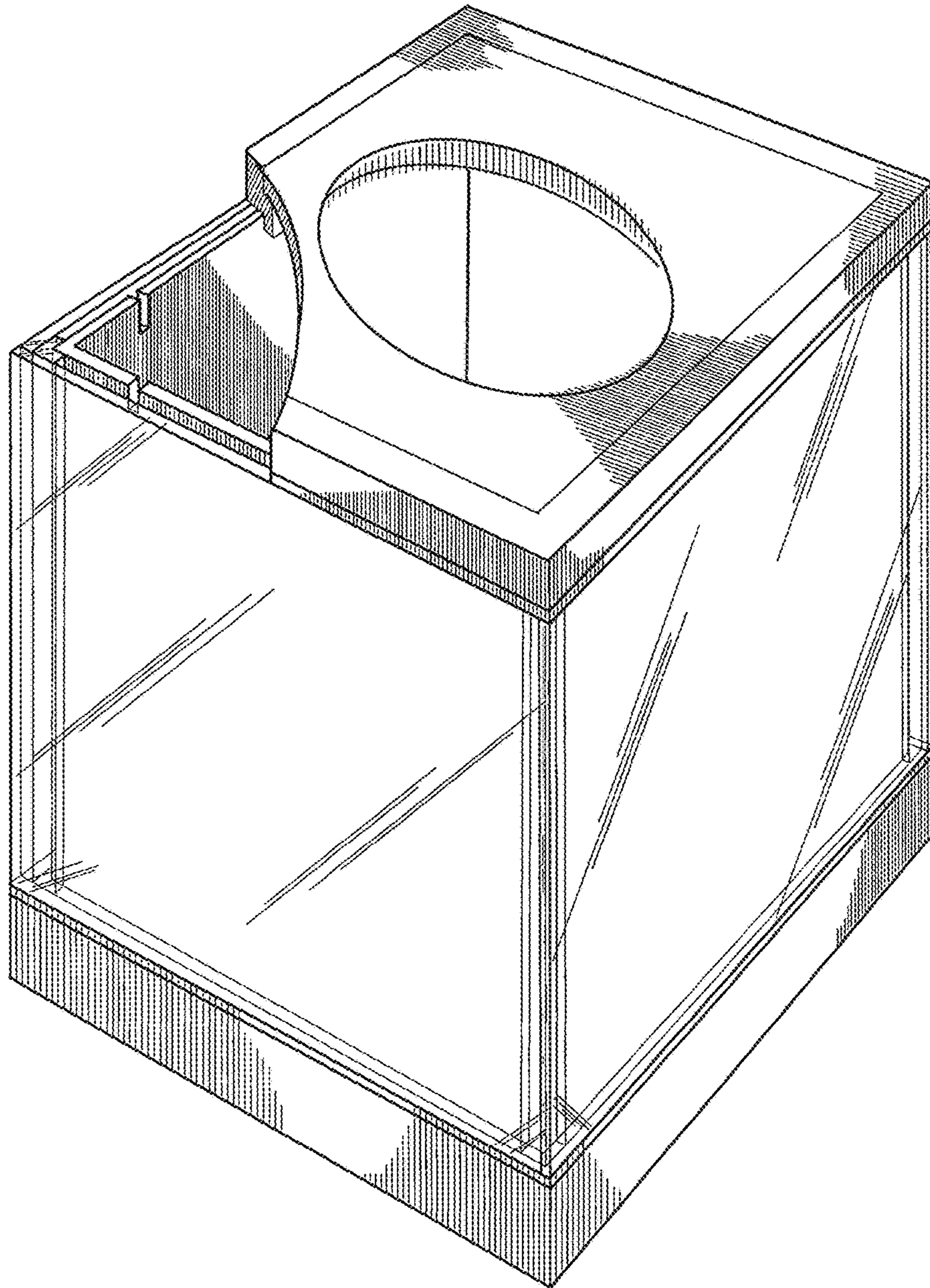


FIG. 2

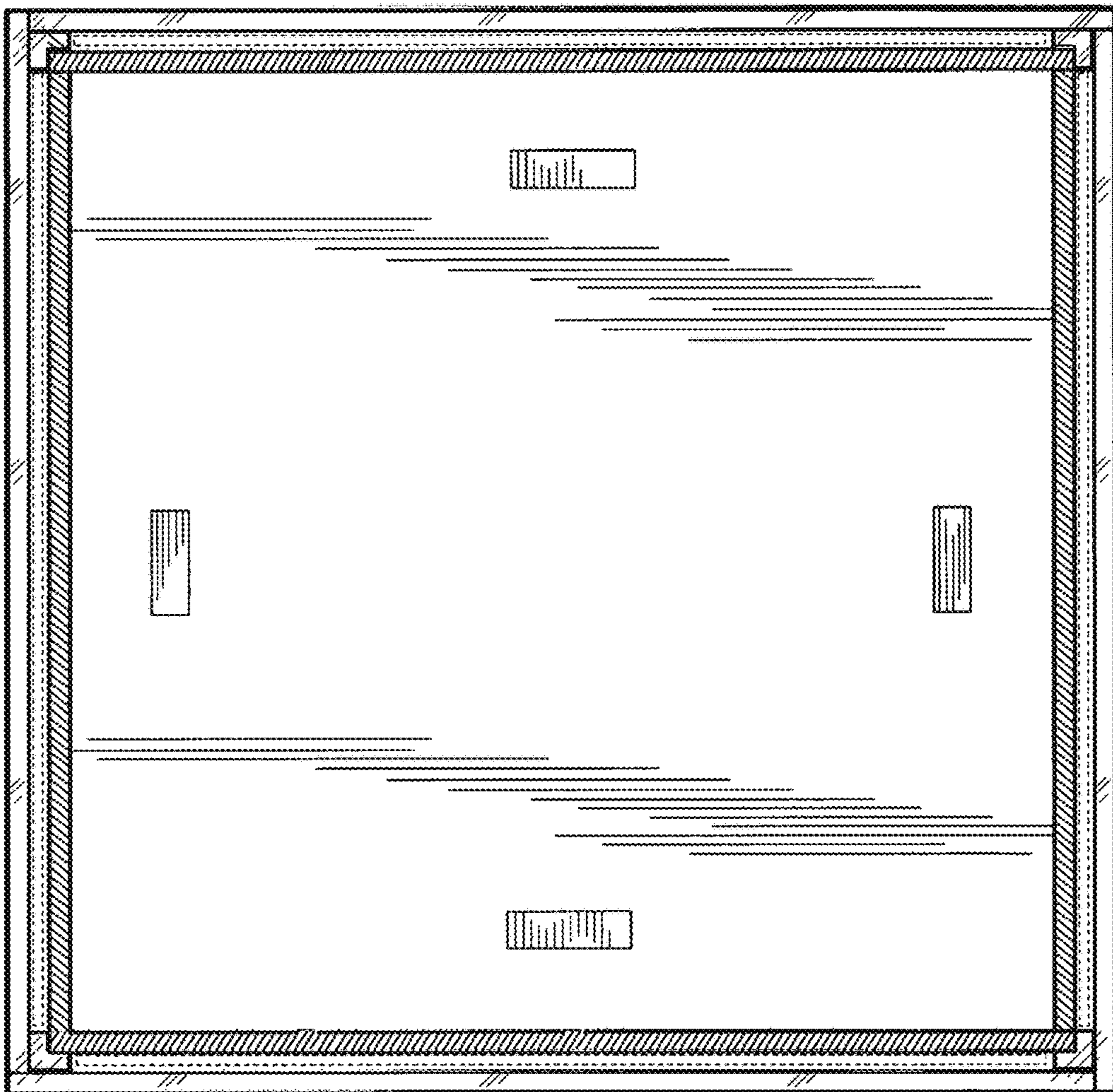


FIG. 3

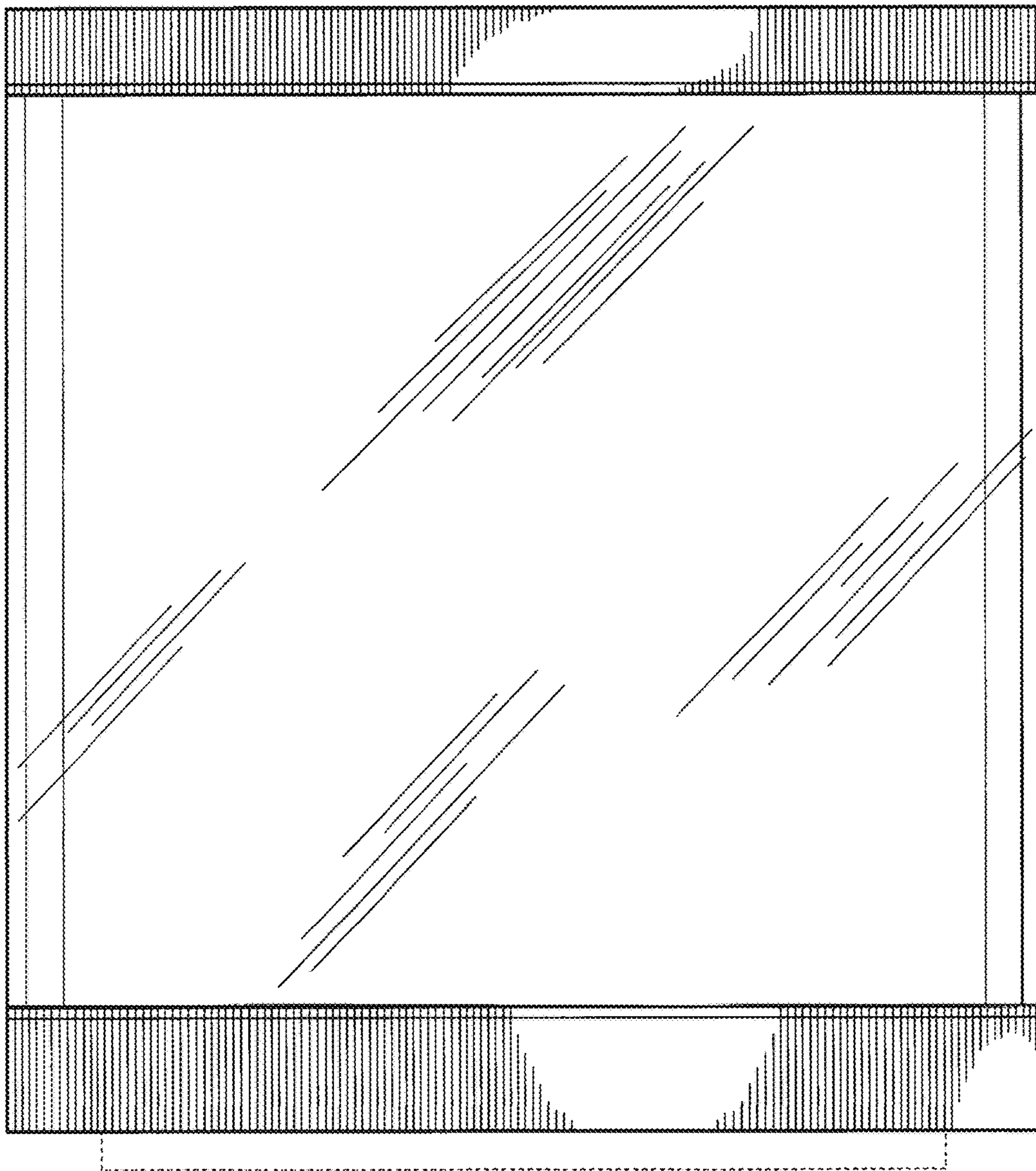


FIG. 4

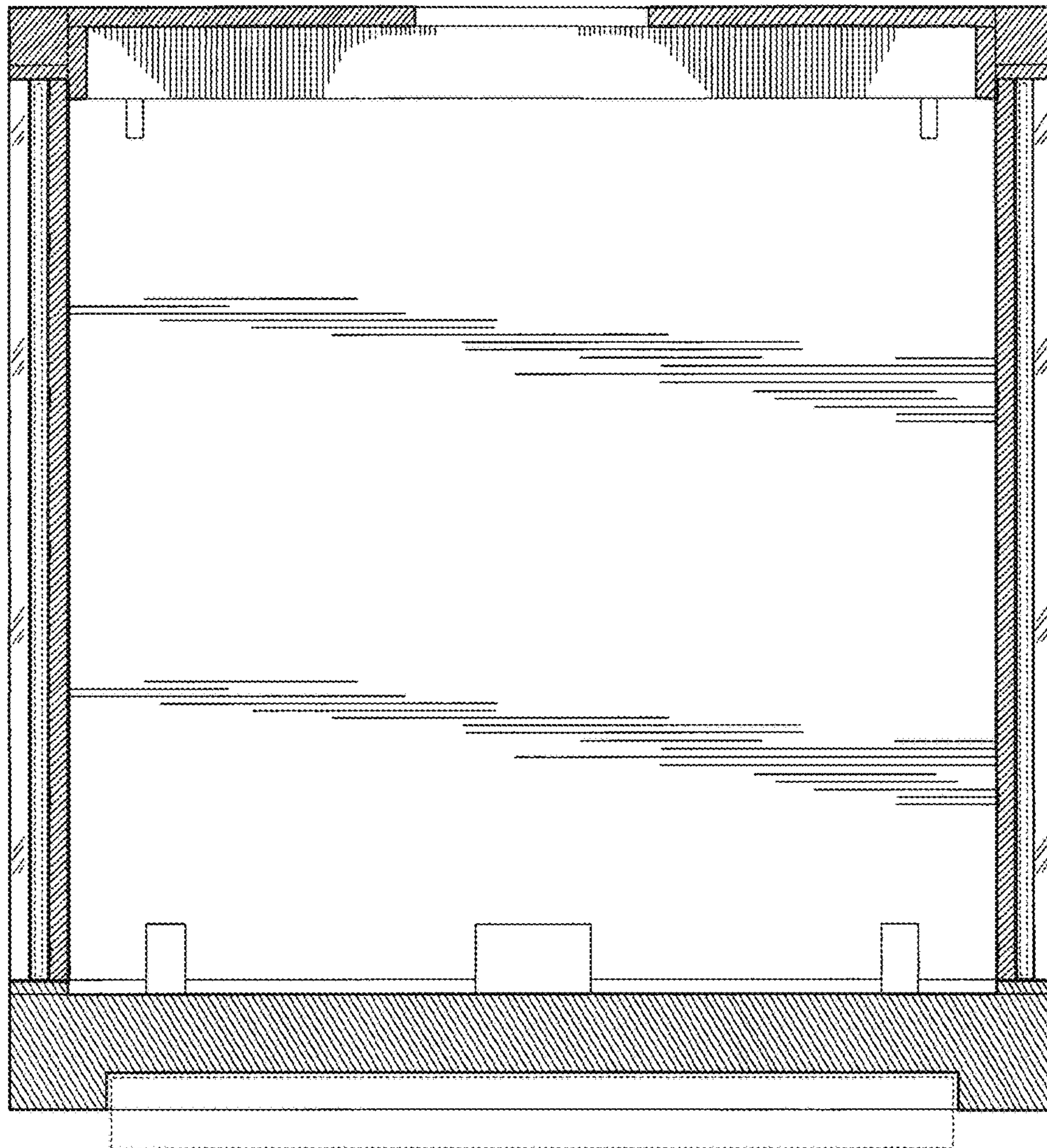


FIG. 5

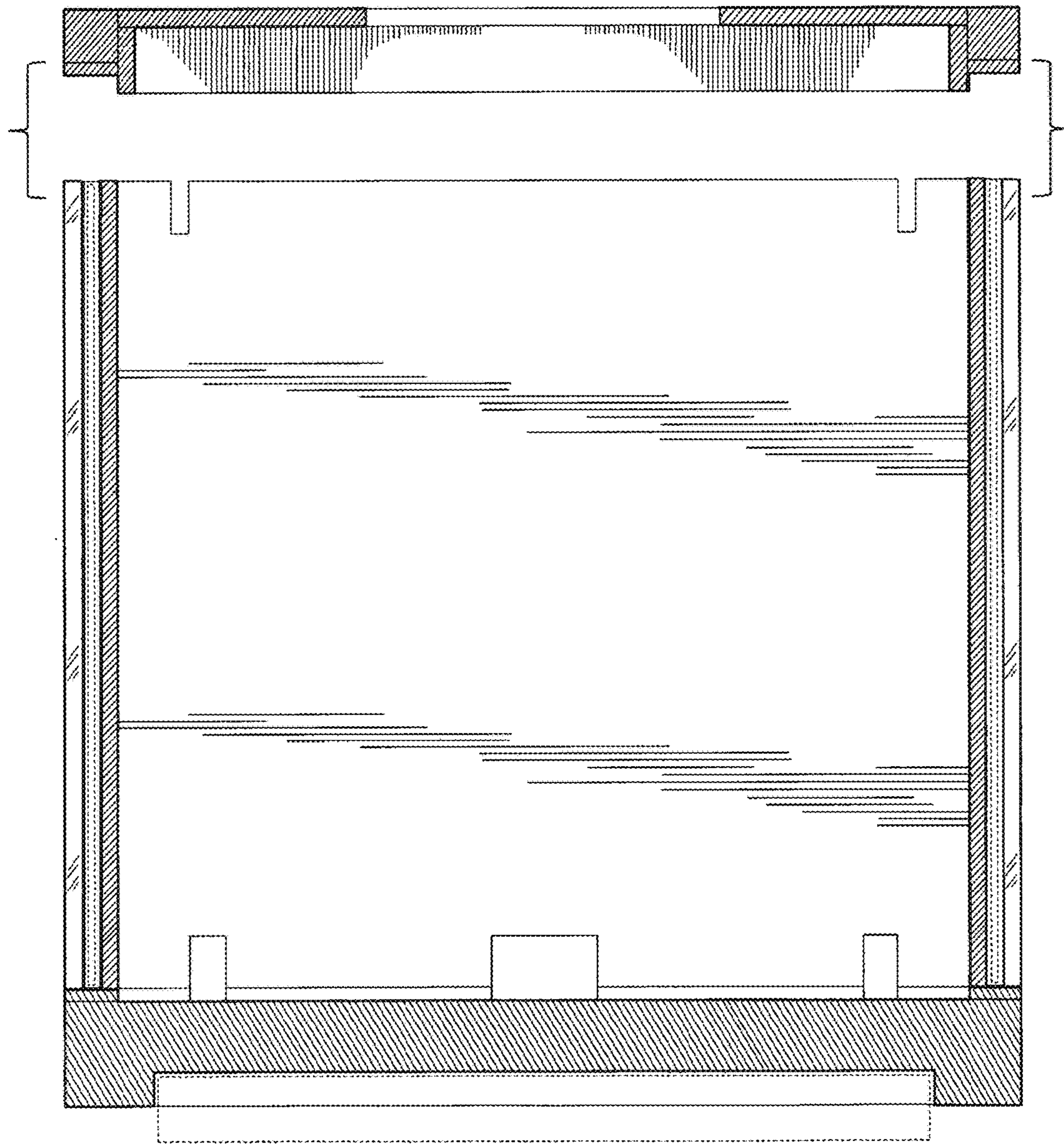


FIG. 6

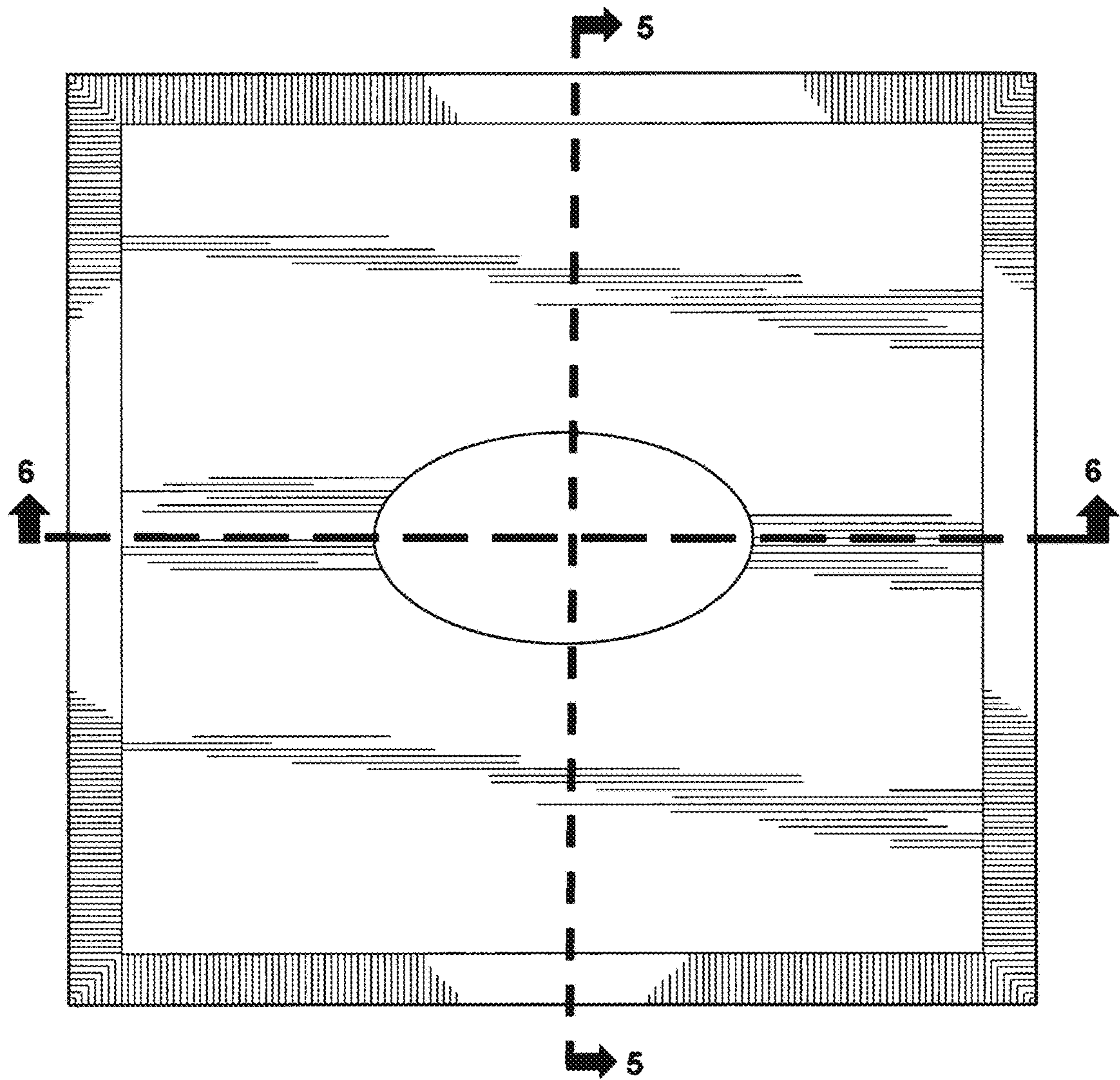


FIG. 7

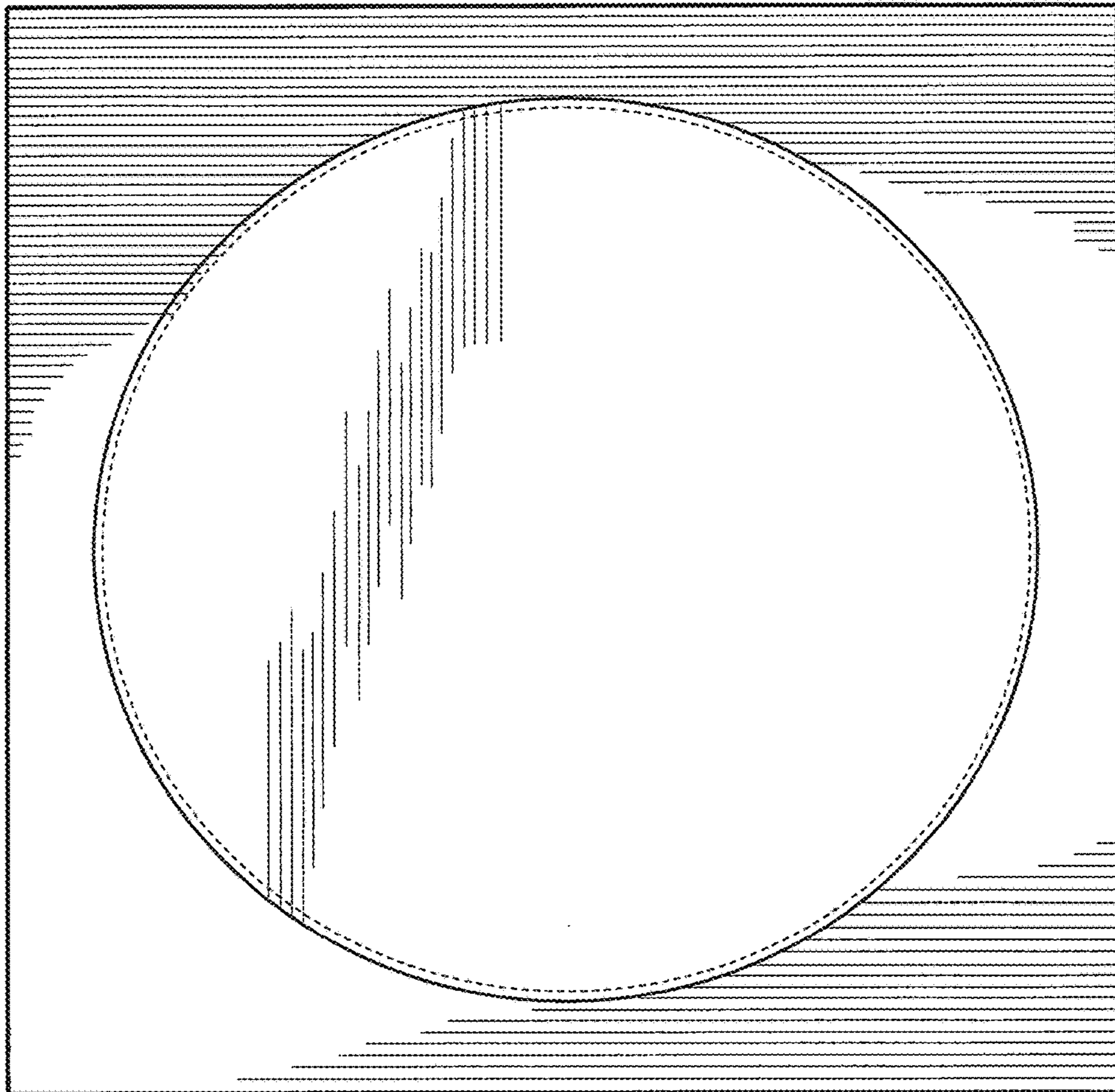


FIG. 8

UNITED STATES PATENT AND TRADEMARK OFFICE
CERTIFICATE OF CORRECTION

PATENT NO. : D805,803 S
APPLICATION NO. : 29/536049
DATED : December 26, 2017
INVENTOR(S) : Berger et al.

Page 1 of 1

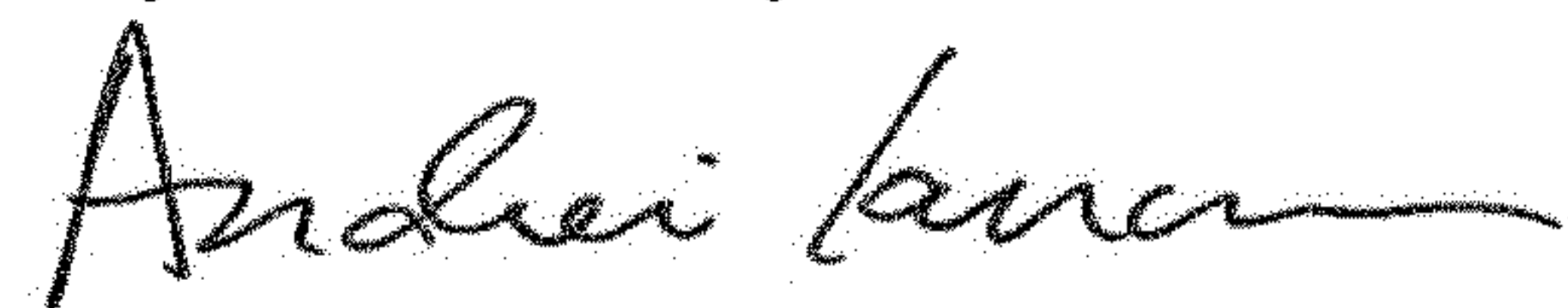
It is certified that error appears in the above-identified patent and that said Letters Patent is hereby corrected as shown below:

On the Title Page

Item (72) should read:

(72) Inventor: Burton William Berger, Lake Worth, FL (US);
Joan Claster, Delray Beach, FL (US)

Signed and Sealed this
Twenty-seventh Day of November, 2018



Andrei Iancu
Director of the United States Patent and Trademark Office