



US00D805801S

(12) **United States Design Patent** (10) **Patent No.:** **US D805,801 S**
Roche (45) **Date of Patent:** **** Dec. 26, 2017**

- (54) **CUTLERY DISPENSER**
- (71) Applicant: **GPCP IP Holdings LLC**, Atlanta, GA (US)
- (72) Inventor: **Nathan Patrick Roche**, Atlanta, GA (US)
- (73) Assignee: **GPCP IP Holdings LLC**, Atlanta, GA (US)
- (**) Term: **15 Years**
- (21) Appl. No.: **29/567,873**
- (22) Filed: **Jun. 13, 2016**
- (51) **LOC (10) Cl.** **20-02**
- (52) **U.S. Cl.**
USPC **D6/515**
- (58) **Field of Classification Search**
USPC D6/515, 517; 206/327, 703, 730, 734;
222/191, 282-283; 235/439, 441;
221/1.129
CPC A47F 1/10; A47F 2001/103
See application file for complete search history.

2015/0001235 A9* 1/2015 Smith A47F 1/10
221/1
2015/0041484 A1 2/2015 Oakes
2015/0289679 A1 10/2015 Oakes

OTHER PUBLICATIONS

Design U.S. Appl. No. 29/533,562, filed Jul. 20, 2015.
International Search Report of PCT/US2014/050166, mailed by the International Searching Authority on Nov. 20, 2014.
Written Opinion of PCT/US2014/050166, mailed by the International Searching Authority on Nov. 20, 2014.
International Search Report of PCT/US2014/050169, mailed by the International Searching Authority on Jan. 9, 2015.
Written Opinion of PCT/US2014/050169, mailed by the International Searching Authority on Jan. 9, 2015.

* cited by examiner

Primary Examiner — Wan Laymon
Assistant Examiner — Mark Booker

(57) **CLAIM**

The ornamental design for a cutlery dispenser, as shown and described.

DESCRIPTION

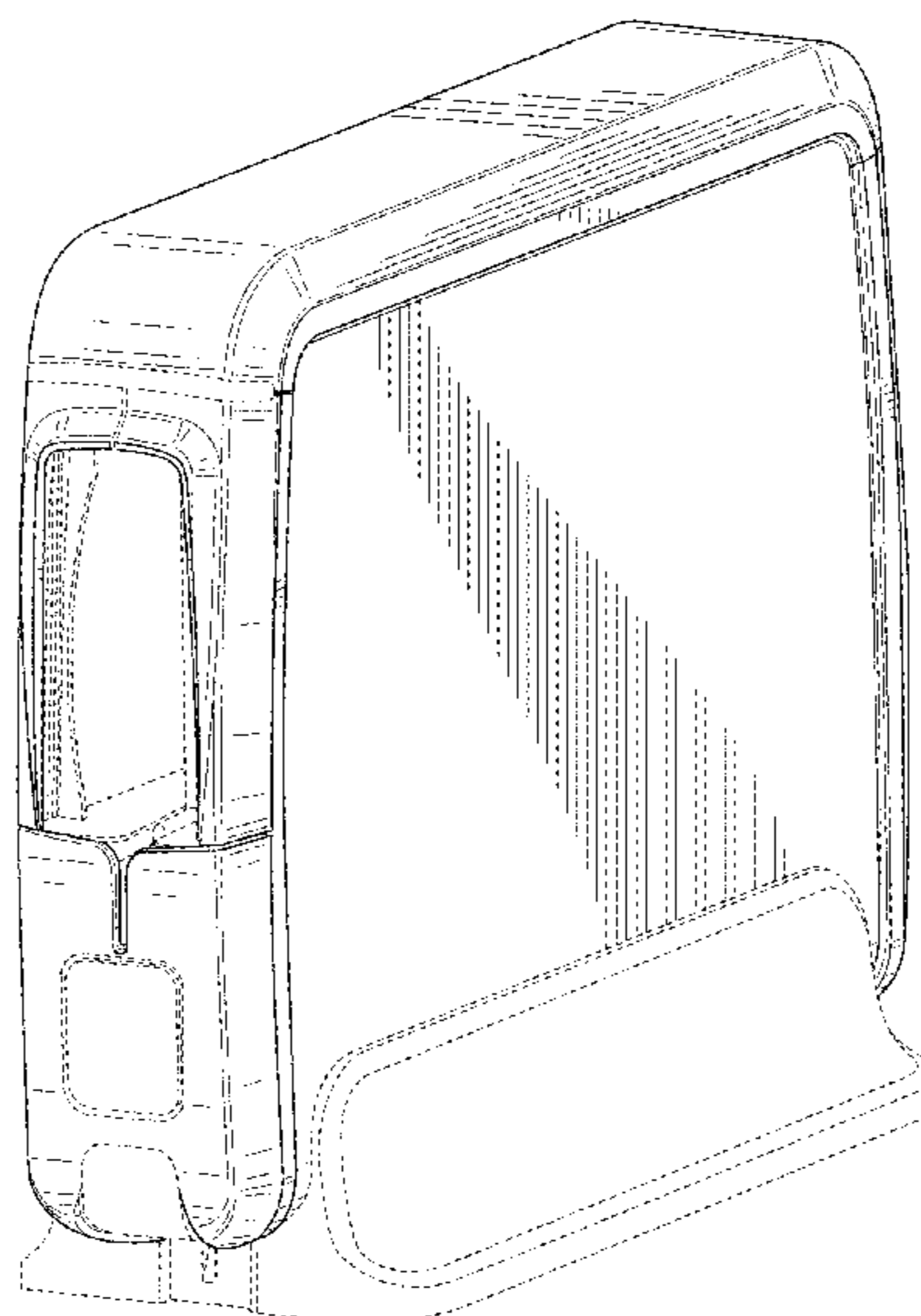
FIG. 1 is an upper perspective view of a cutlery dispenser showing my new design;
FIG. 2 is a lower perspective view thereof;
FIG. 3 is a top view thereof;
FIG. 4 is a bottom view thereof;
FIG. 5 is a first end view thereof;
FIG. 6 is a second end view thereof;
FIG. 7 is a first side view thereof; and,
FIG. 8 is a second side view thereof.
The broken lines shown in the figures are included for the purpose of illustrating portions of the cutlery dispenser and form no part of the claimed design.

(56) **References Cited**

U.S. PATENT DOCUMENTS

D473,549 S	4/2003	Nishi	
D638,425 S	5/2011	Ikeda et al.	
D662,920 S	7/2012	Neu et al.	
D751,537 S	3/2016	Rhodes et al.	
9,439,518 B2 *	9/2016	Oakes	A47F 1/125
D772,514 S	11/2016	Wang	
9,560,920 B2 *	2/2017	Oakes	A47F 1/125
D783,303 S *	4/2017	Roche	D6/515
D788,485 S	6/2017	Greenwald et al.	
2008/0121650 A1 *	5/2008	Smith	A47F 1/10 221/129
2013/0043272 A1	2/2013	Oakes	
2014/0117036 A1 *	5/2014	Smith	A47F 1/10 221/1

1 Claim, 6 Drawing Sheets



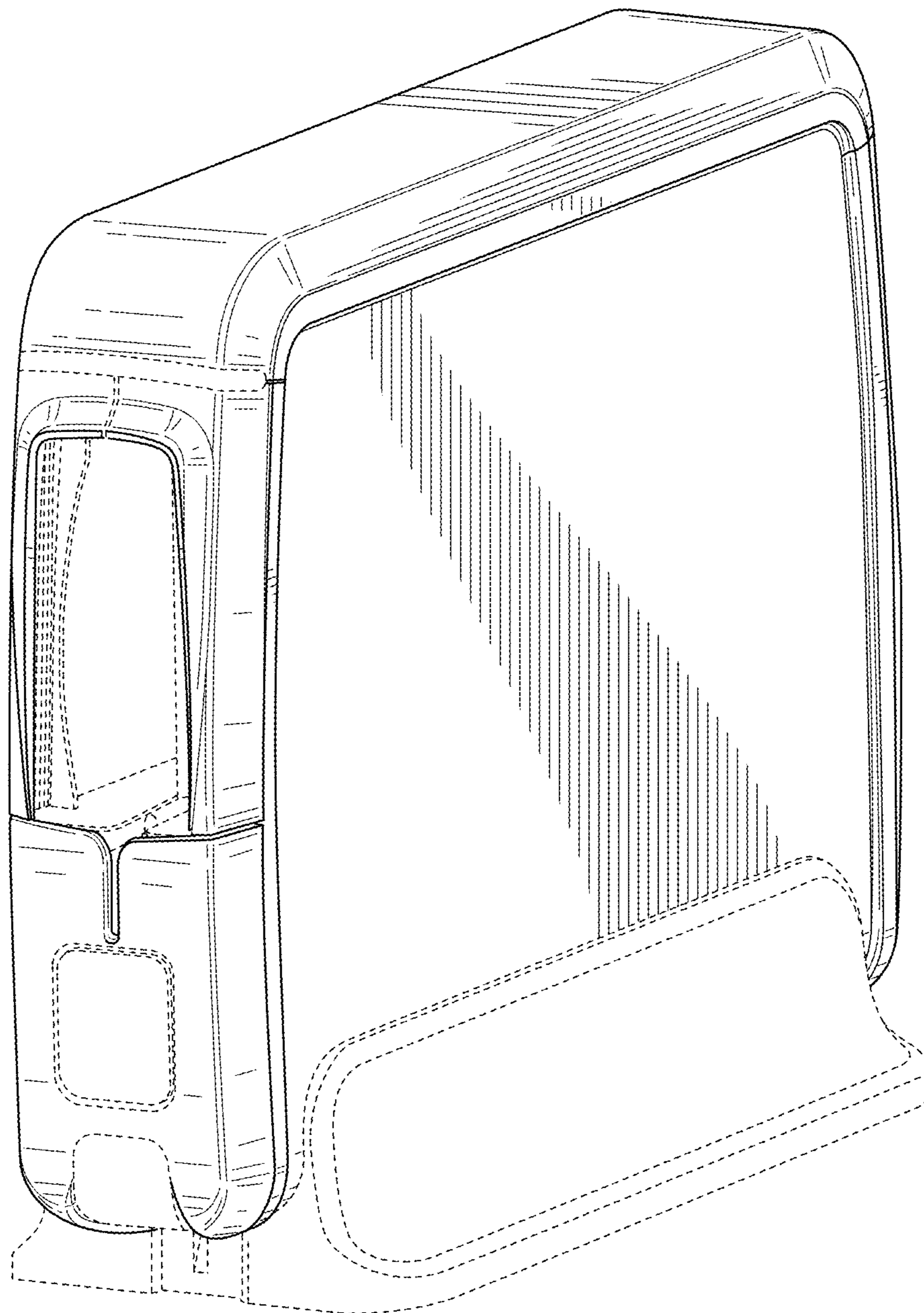


FIG. 1

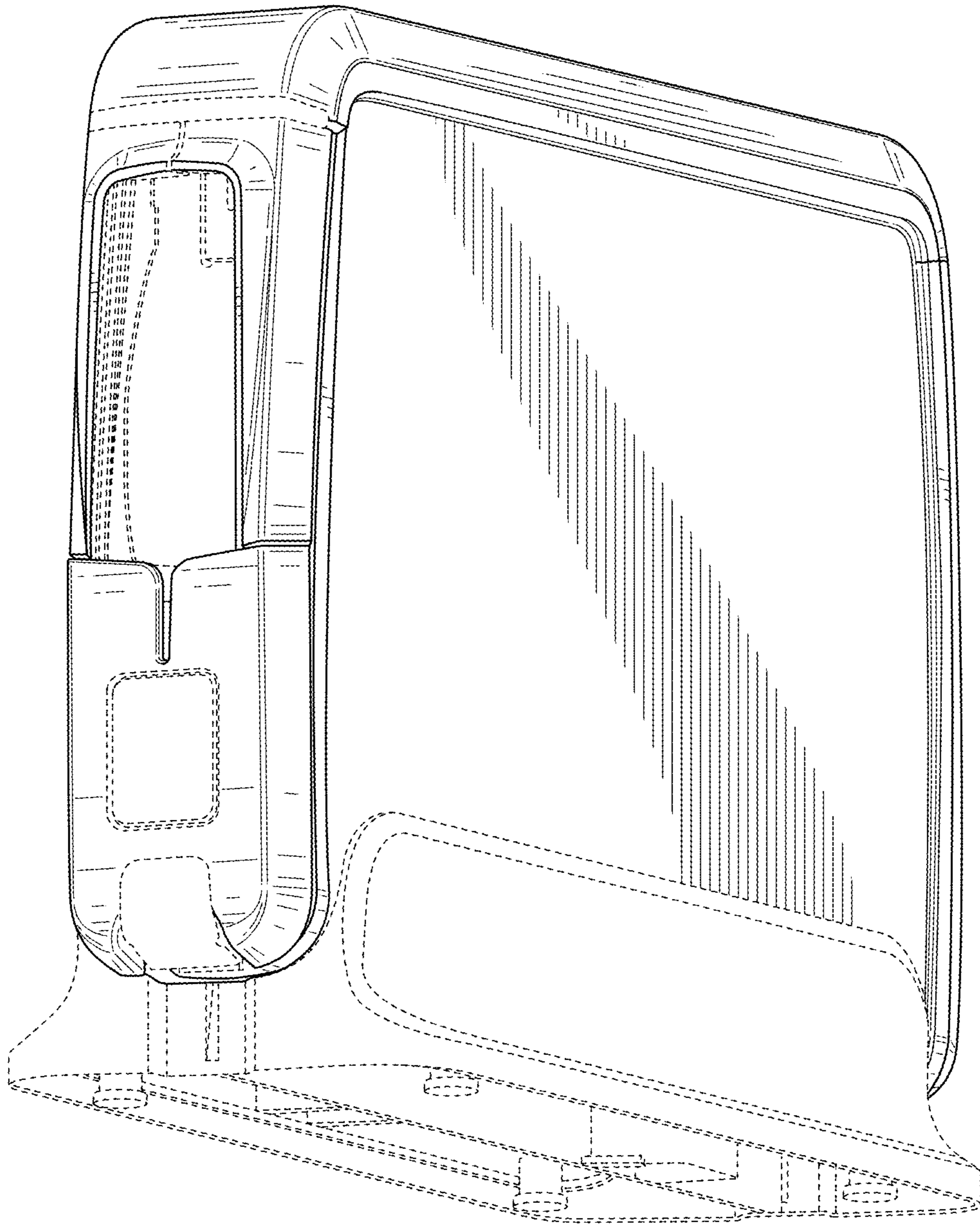


FIG. 2

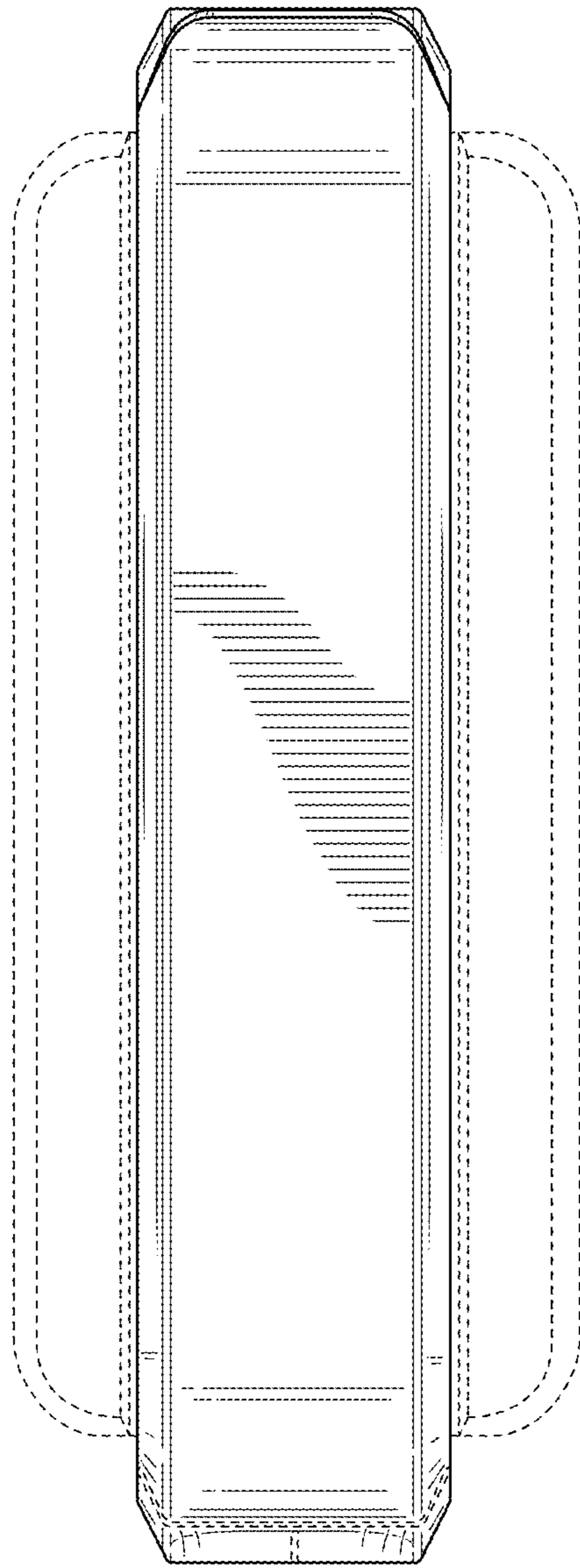


FIG. 3

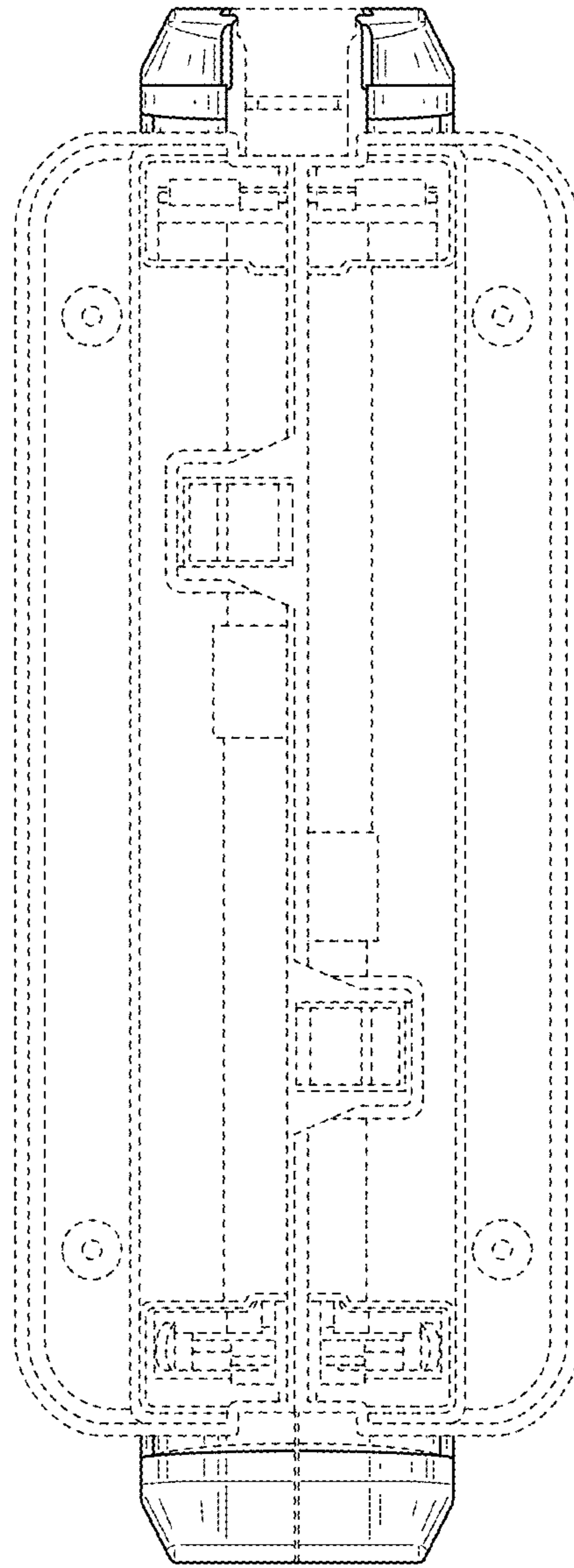


FIG. 4

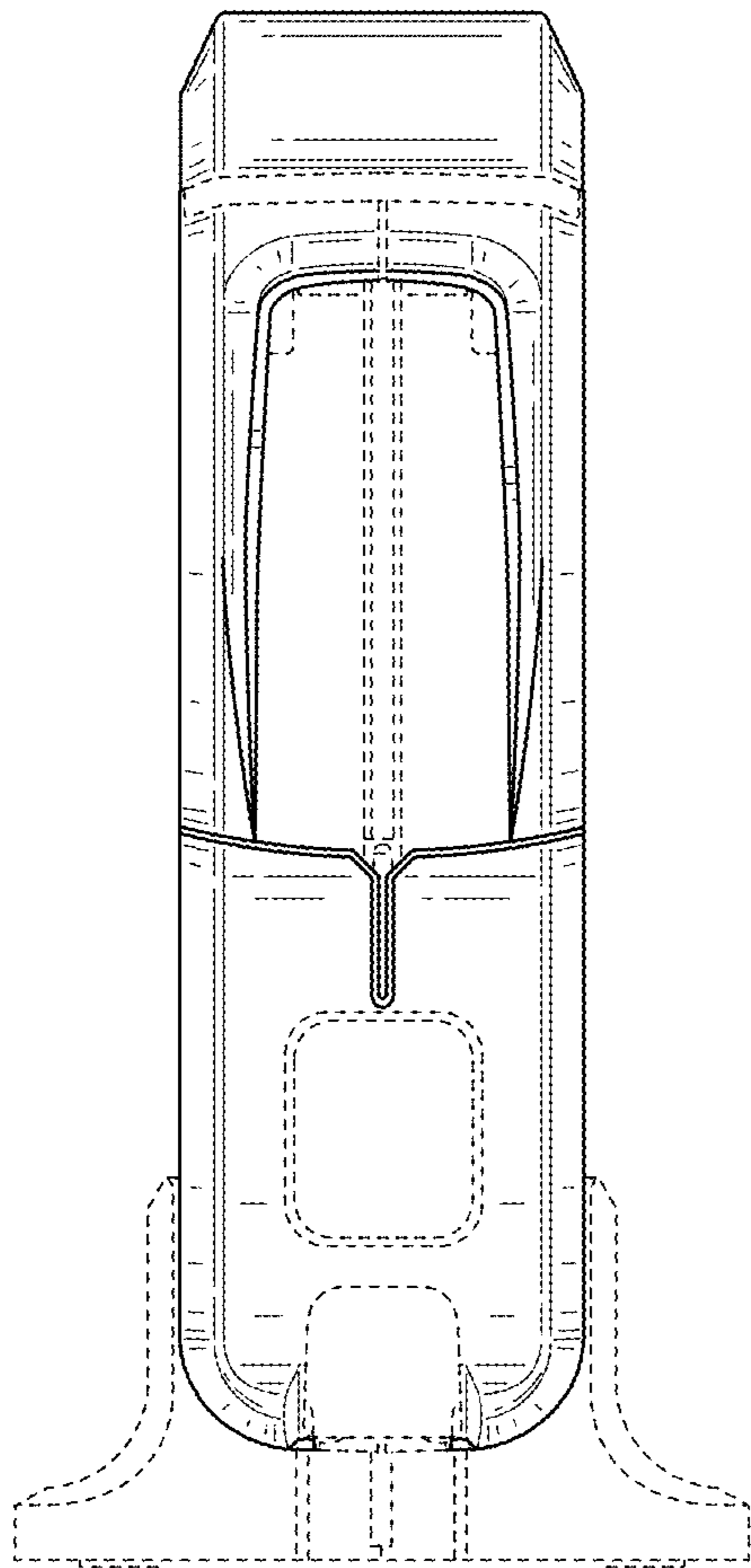


FIG. 5

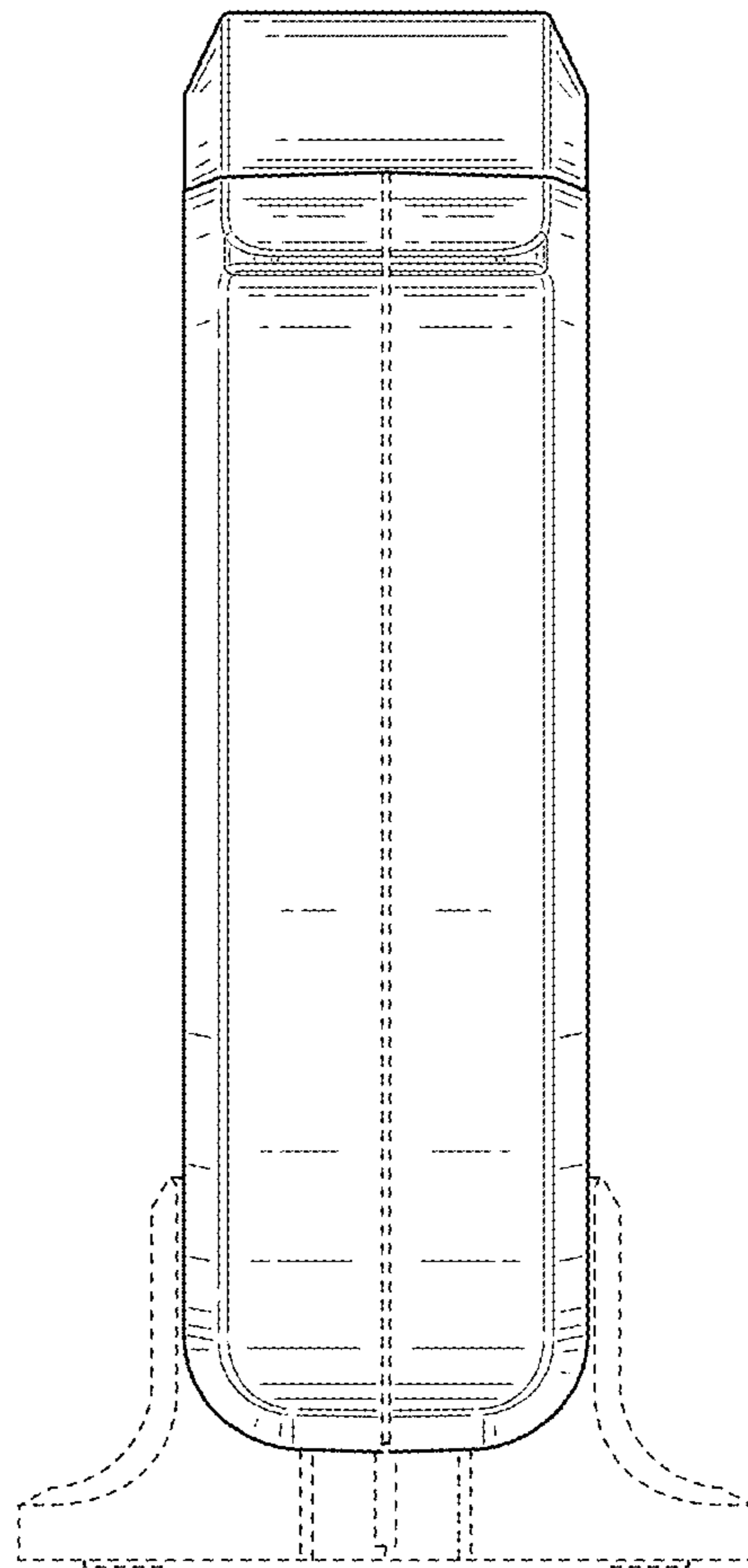


FIG. 6

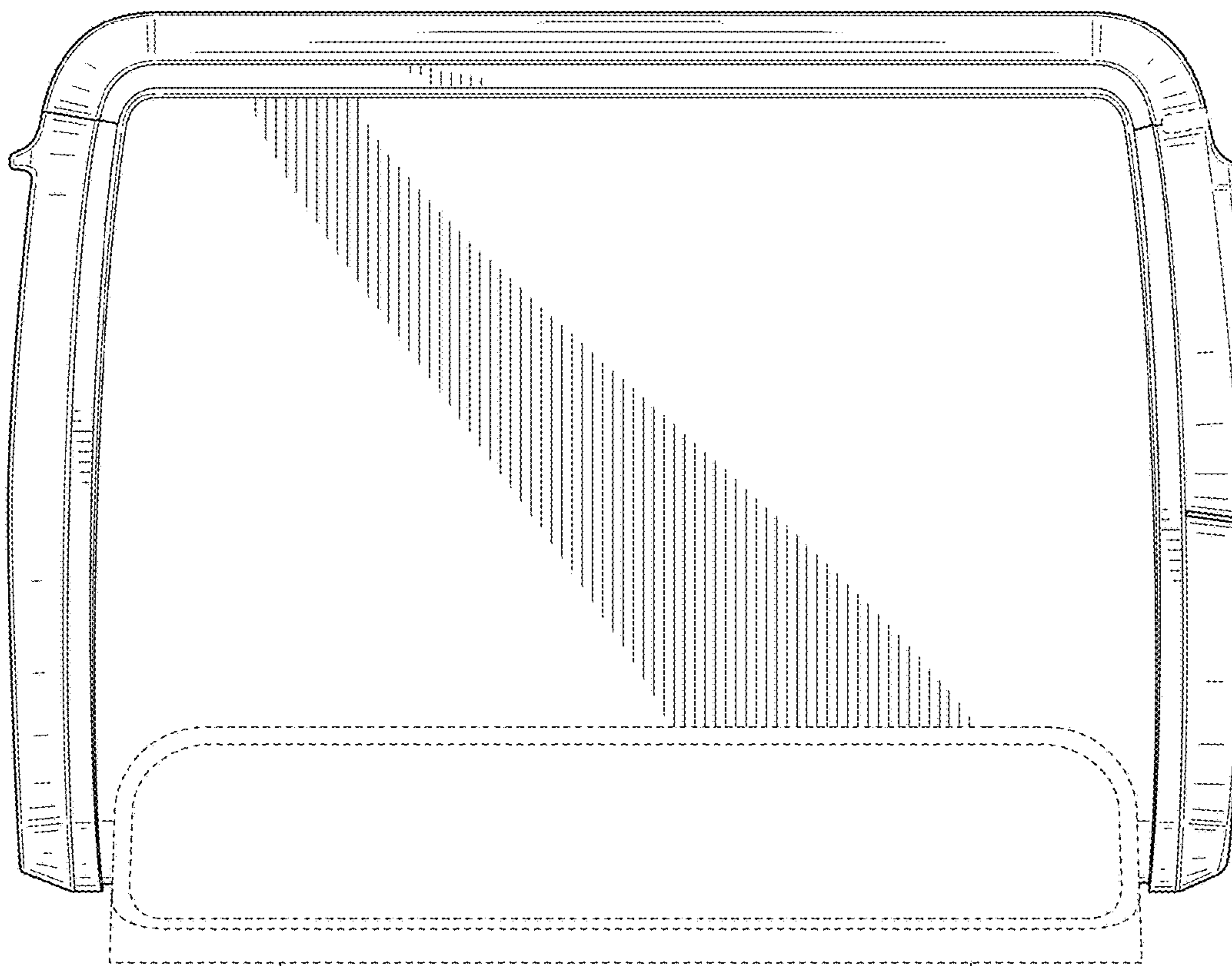


FIG. 7

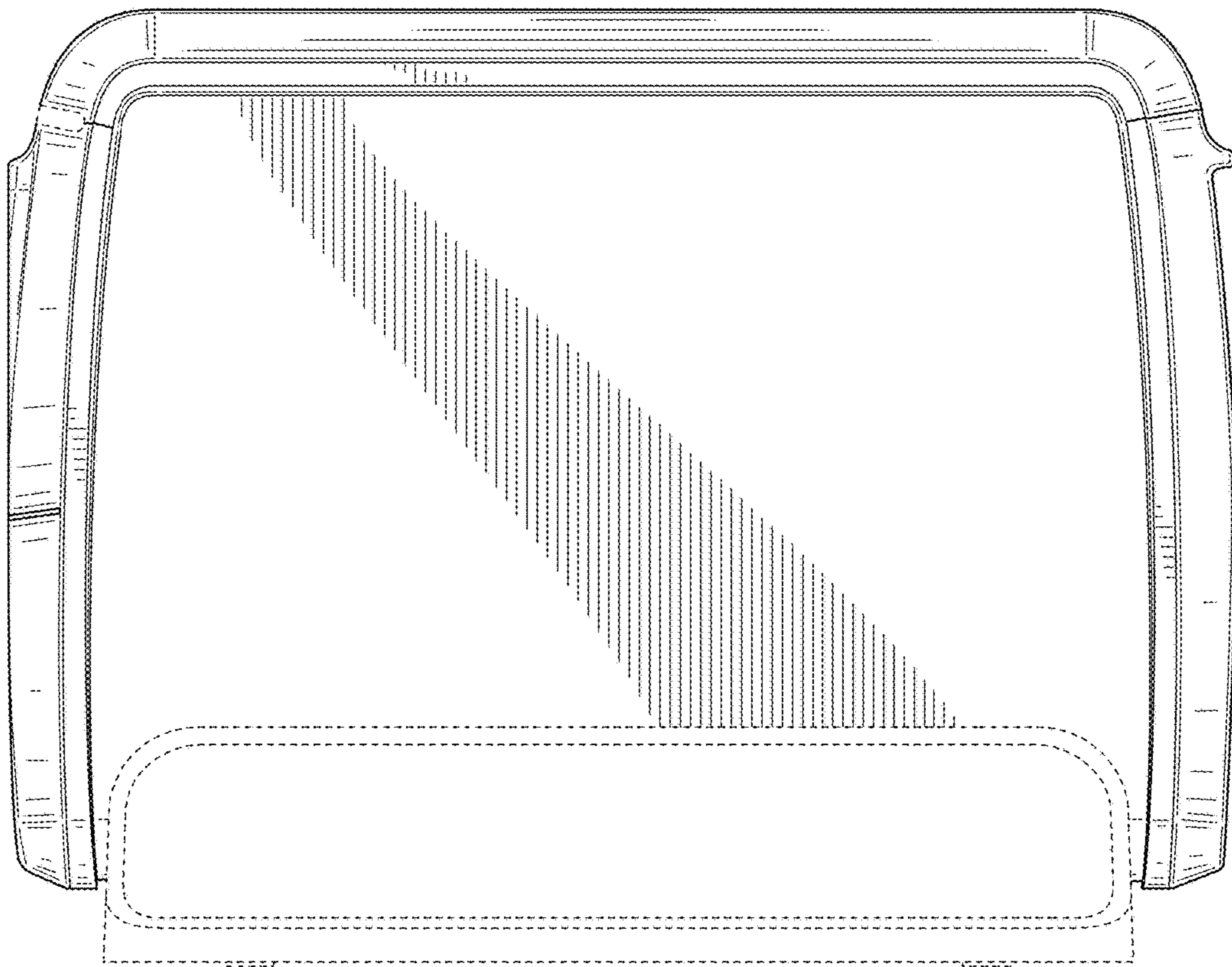


FIG. 8