



US00D805794S

(12) **United States Design Patent**
White, III et al.

(10) **Patent No.:** **US D805,794 S**

(45) **Date of Patent:** **** Dec. 26, 2017**

(54) **LOUNGE CHAIR**

(71) Applicant: **GABRIELLA WHITE, LLC**, Pelham, AL (US)

(72) Inventors: **William Bew White, III**, Pelham, AL (US); **Wright Currie**, Pelham, AL (US); **Matt Scallions**, Pelham, AL (US)

(73) Assignee: **Gabriella White, LLC**, Pelham, AL (US)

(**) Term: **15 Years**

(21) Appl. No.: **29/552,688**

(22) Filed: **Jan. 25, 2016**

(51) **LOC (10) Cl.** **06-01**

(52) **U.S. Cl.**
USPC **D6/334**

(58) **Field of Classification Search**
USPC D6/334, 335, 336, 349, 353, 354, 355, D6/360, 367, 368, 369, 371, 373, 374, D6/375, 376, 377, 379, 380, 381, 403.4, D6/406.5, 650, 708.21, 716, 716.1, 716.2, D6/716.4; D12/128, 133; D21/483, 519, D21/521, 685, 687, 803, 828; D30/118; 297/16.1, 42, 94, 135, 175, 232, 233, 297/350, 351, 455.1, 448.1, 448.2, 451.9; 5/12.1, 12.2
CPC A47C 4/03; A47C 4/00; A47C 3/00; A47C 4/02; A47C 5/00; A47C 5/02; A47C 3/04; A47C 4/028; A47C 1/031; A47C 1/032; A47C 4/024; A47C 5/06; A47C 7/16; A47C 7/18; B62J 1/00; B62J 1/04; B62J 1/08; A47B 83/02

See application file for complete search history.

(56) **References Cited**

U.S. PATENT DOCUMENTS

1,721,999 A * 7/1929 Jacobs A47C 5/08
297/411.41
D85,538 S * 11/1931 O'Hearn D6/369

D243,571 S * 3/1977 Wisner D6/369
D265,953 S * 8/1982 Olko D6/369
D274,870 S * 7/1984 Claman D6/369
D275,343 S * 9/1984 Claman D6/369
D360,993 S * 8/1995 White D6/369
D603,613 S * 11/2009 Wilson D6/334
D633,725 S * 3/2011 Massaud D6/334

OTHER PUBLICATIONS

Madison Park Elle Teal Button Tufted Chair, posted at Overstock.com, posting date Sep. 20, 2016, [online], [site visited Sep. 27, 2016]. available from Internet, <URL: <https://www.overstock.com/Home-Garden/Madison-Park-Elle-Teal-Button-Tufted-Chair/11763306/product.html?recset=1cbbe0ea-0e8b-4f37-90de-25fda6d98ea5&refccid=YCUM7UJENEYYA6CLUM4APE6ZTI&recalg=870>>.*

(Continued)

Primary Examiner — Mary Ann Calabrese
Assistant Examiner — Catherine Ho
(74) *Attorney, Agent, or Firm* — Joseph S. Bird, III;
Bradley Arant Boult Cummings LLP

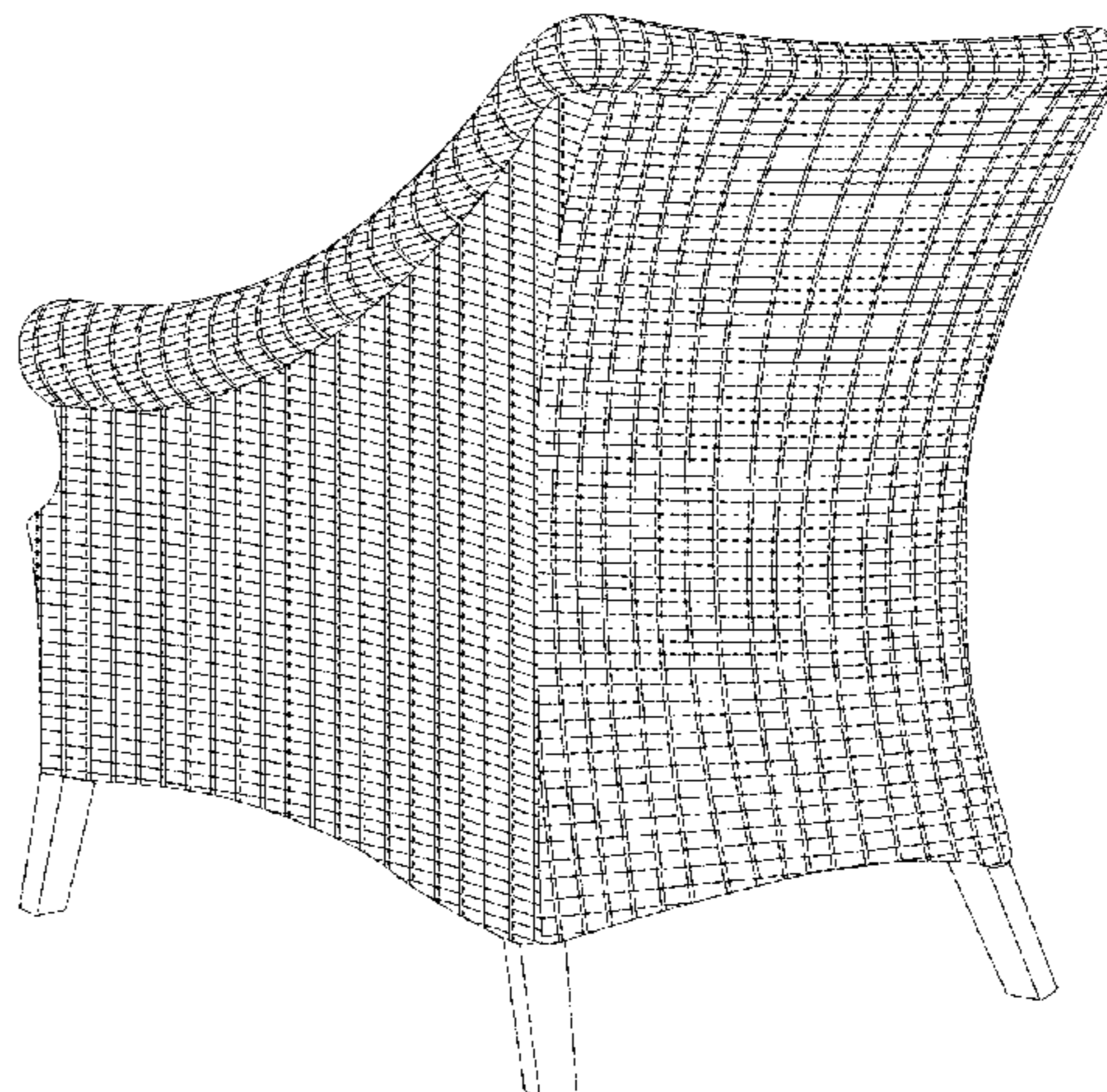
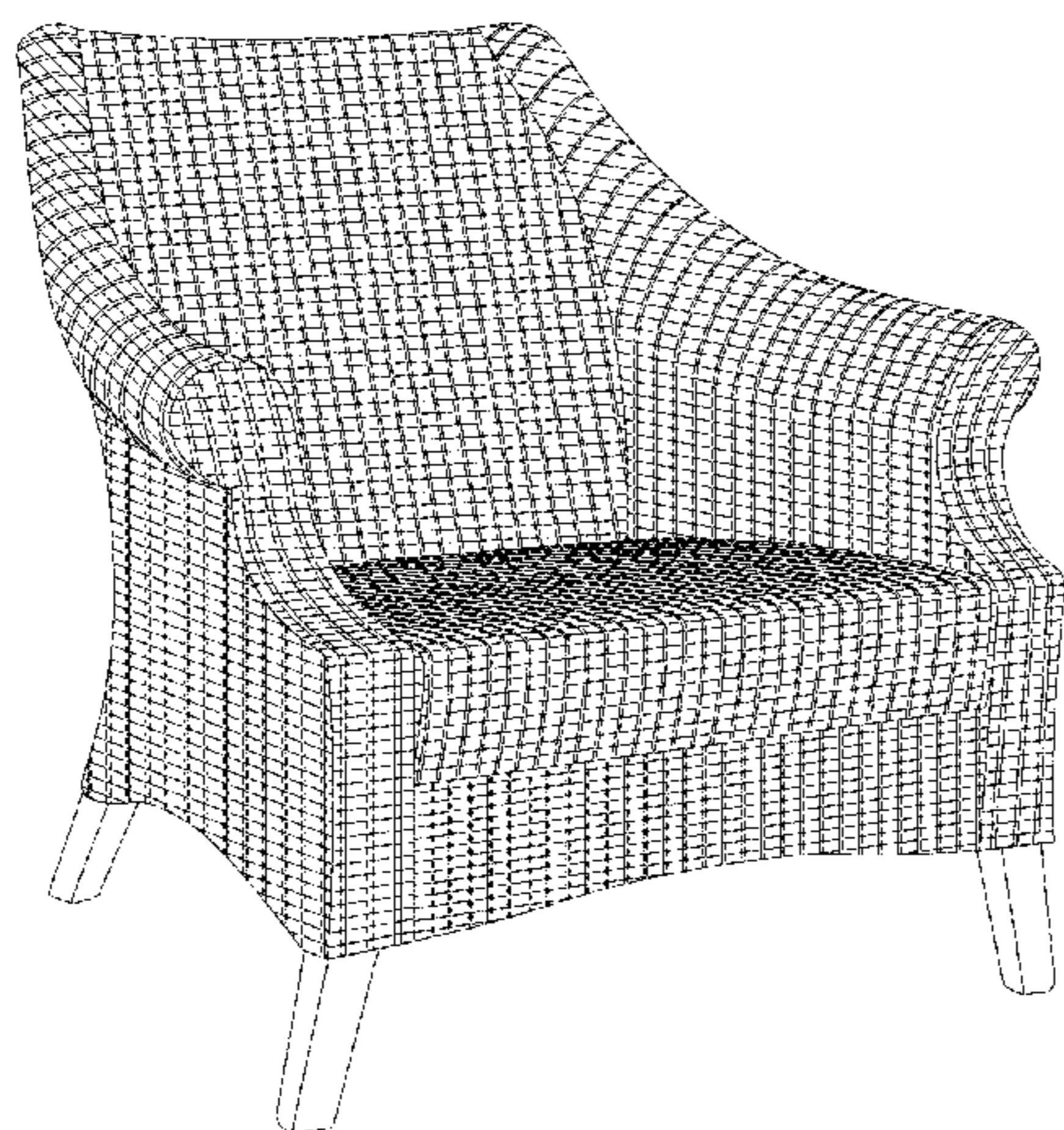
(57) **CLAIM**

The ornamental design for a lounge chair, as shown and described.

DESCRIPTION

FIG. 1 is a perspective view of the front and one side of the lounge chair showing our ornamental design.
FIG. 2 is a perspective view of the rear and one side of the lounge chair,
FIG. 3 is a side elevation view of the lounge chair, the opposite side being a mirror image thereof.
FIG. 4 is a top down view of the lounge chair; and,
FIG. 5 is a front elevation view of the lounge chair.

1 Claim, 5 Drawing Sheets



(56)

References Cited

OTHER PUBLICATIONS

Christopher Knight Home Hariata, posted at Overstock.com, posting date May 4, 2016, [online], [site visited Sep. 27, 2016]. Available from Internet, <URL: [https://www.overstock.com/Home-Garden/Christopher-Knight-Home-Hariata-Fabric-Contour-Chair/11583449/product.html?refccid=FSPPWDBH7VHJOG2OMDIA5NFGA4](https://www.overstock.com/Home-Garden/Christopher-Knight-Home-Hariata-Fabric-Contour-Chair/11583449/product.html?refccid=FSPPWDBH7VHJOG2OMDIA5NFGA4&searchidx=158)

&searchidx=158.*

HomePop Ink Navy Swoop Arm Velvet Accent Chair, posted at Overstock.com, posting date Feb. 6, 2015, [online], [site visited Sep. 27, 2016]. Available from Internet, <URL: [https://www.overstock.com/Home-Garden/HomePop-Ink-Navy-Swoop-Arm-Velvet-Accent-Chair/9739735/product.html?refccid=VLJG3J5FCT3D6KMNPKCIRUNVE](https://www.overstock.com/Home-Garden/HomePop-Ink-Navy-Swoop-Arm-Velvet-Accent-Chair/9739735/product.html?refccid=VLJG3J5FCT3D6KMNPKCIRUNVE&searchidx=64)

&searchidx=64>.*

Turino Chair, posted at Lexington.com, posting date Oct. 4, 2014, [online], [site visited Sep. 27, 2016]. Available from Internet, <URL: <https://www.lexington.com/items/detail/type/chair/item/11-7841-11>>.*

* cited by examiner

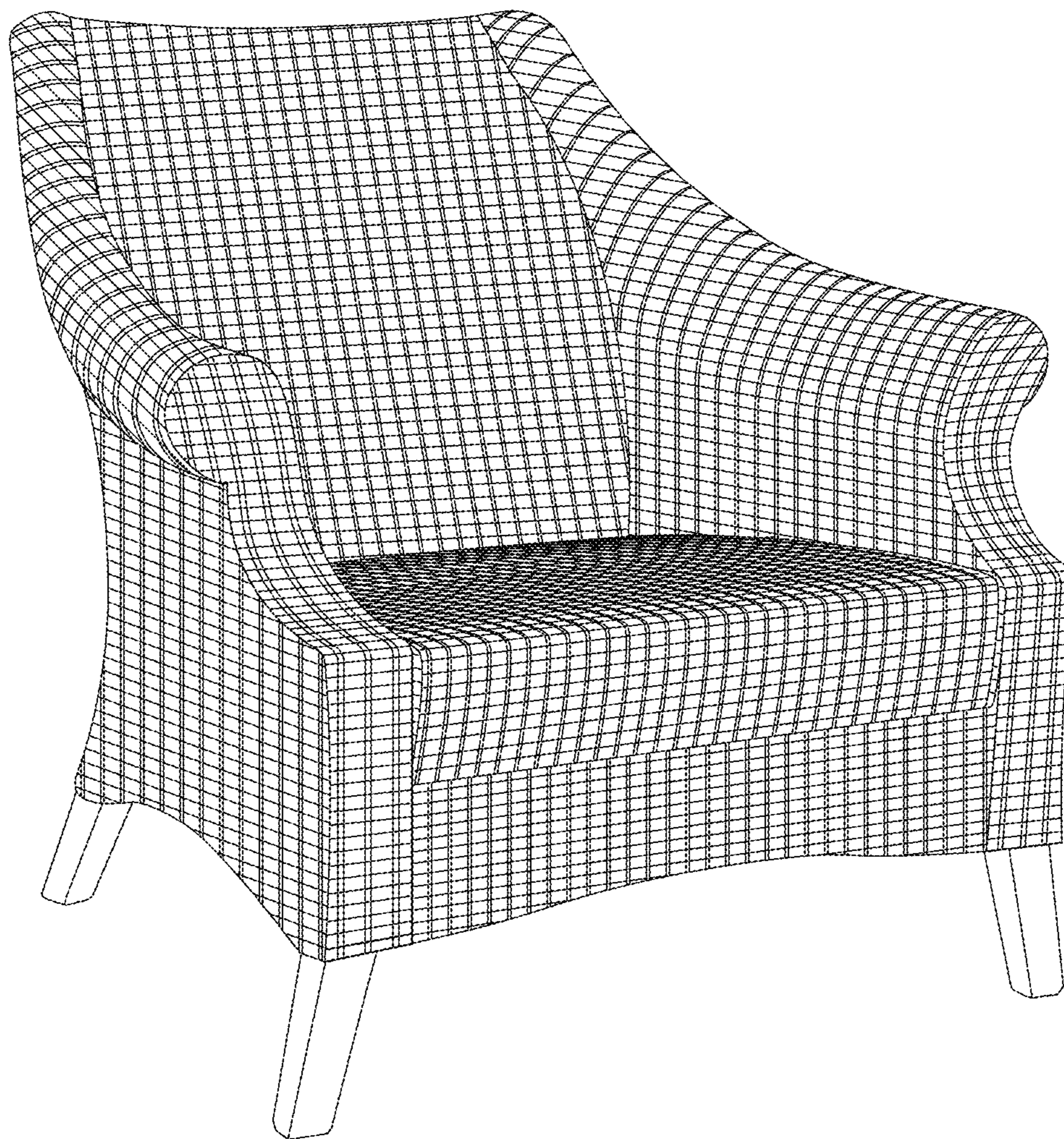


FIG. 1

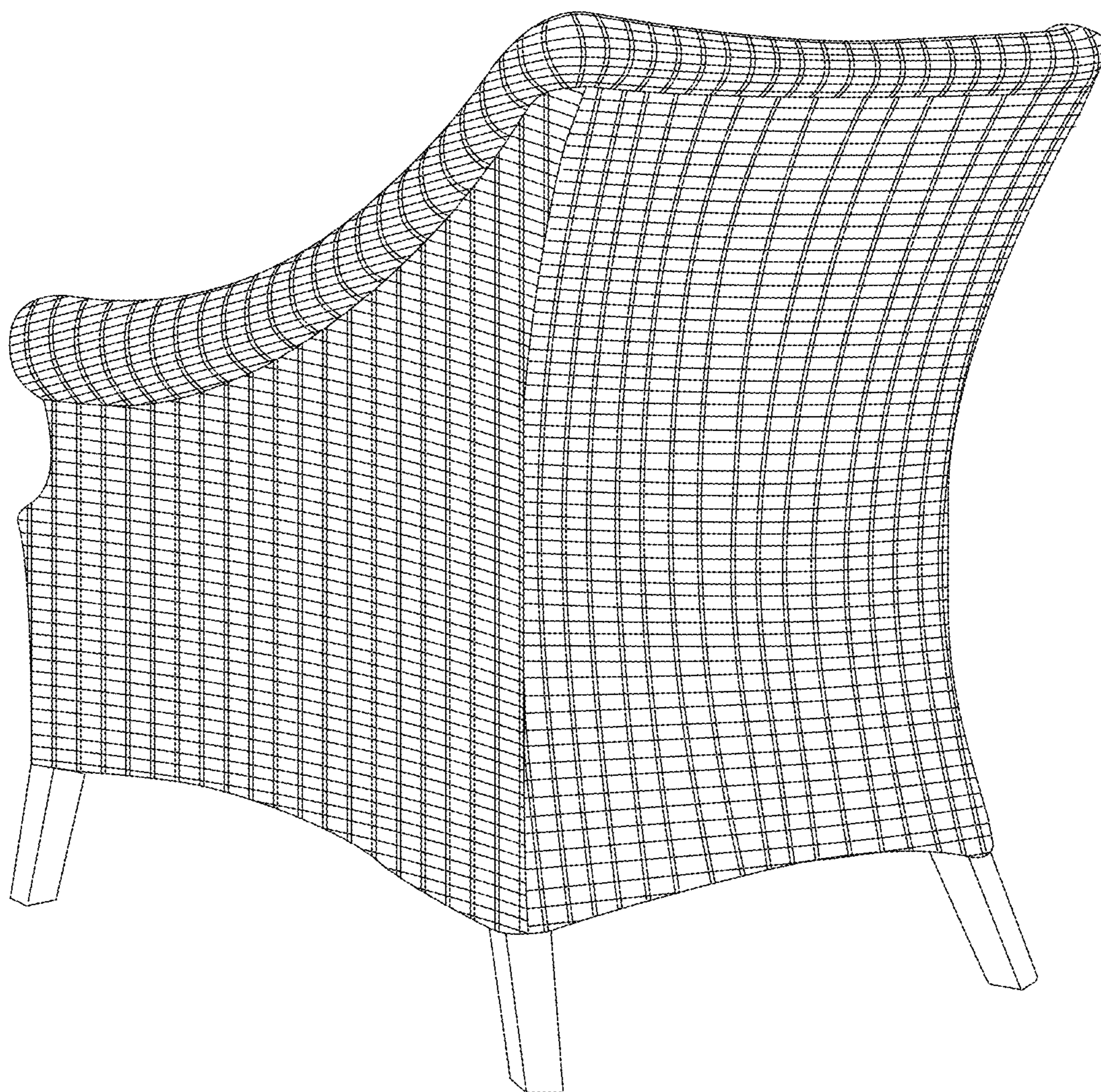


FIG. 2

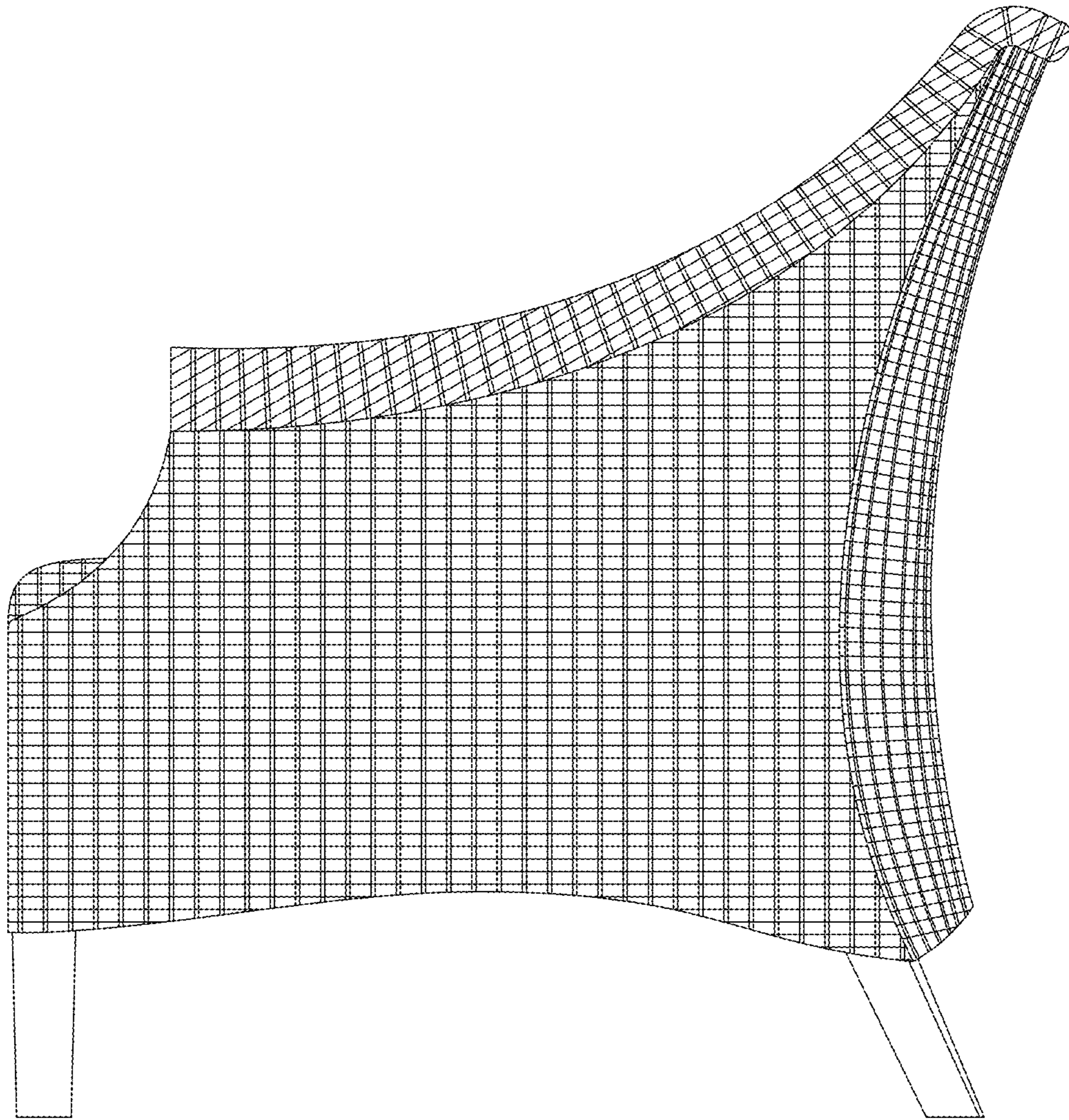


FIG. 3

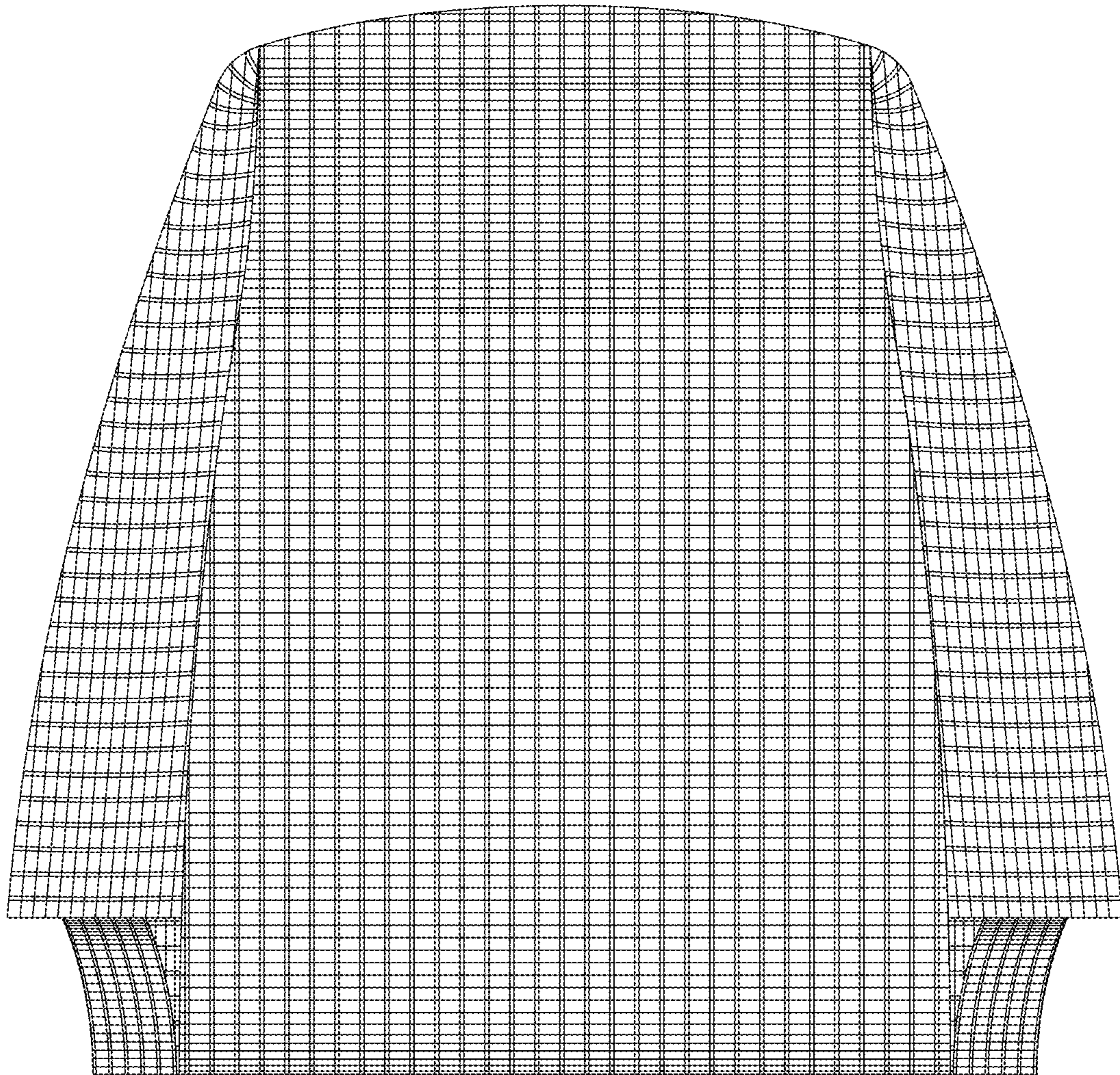


FIG. 4

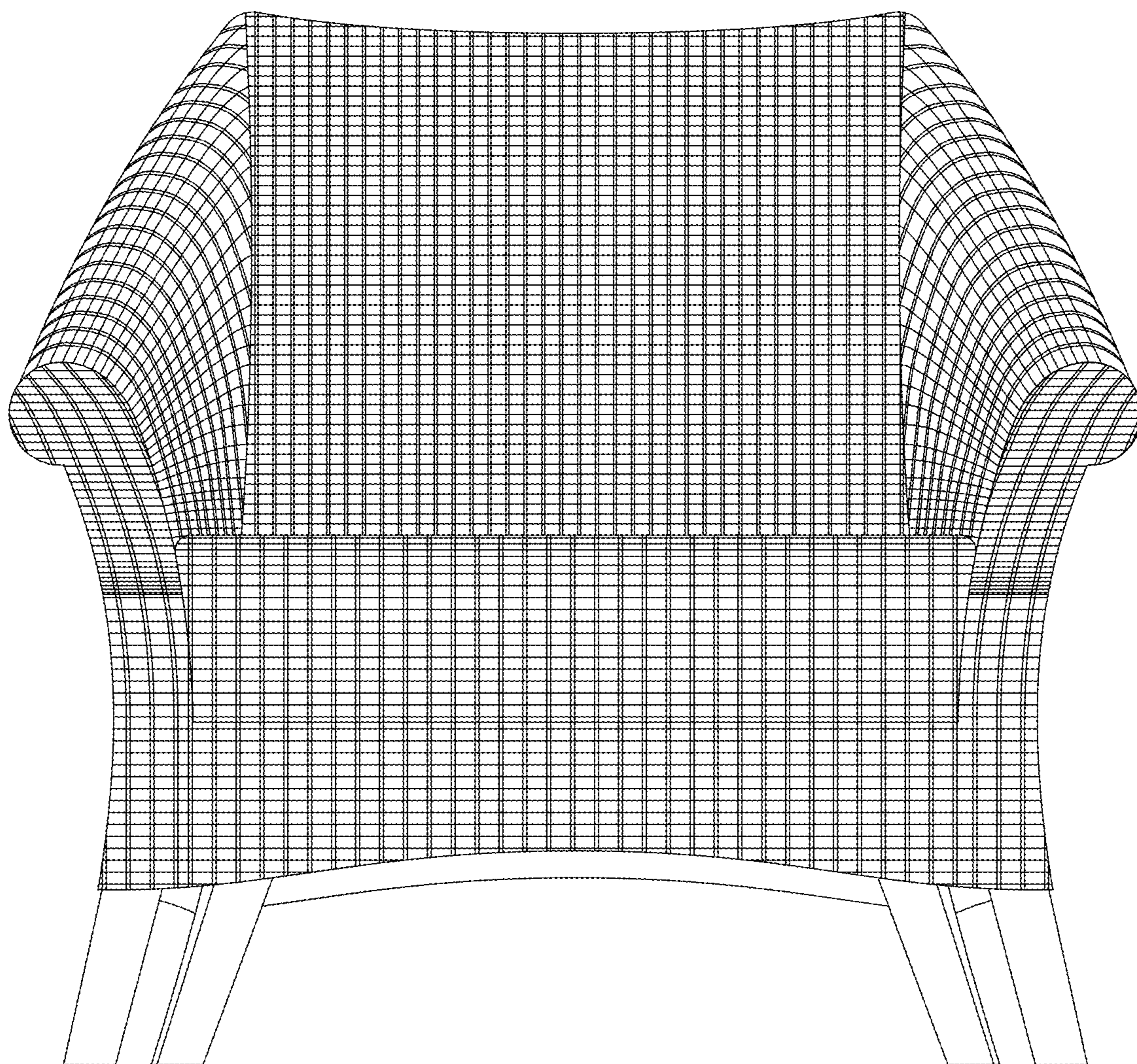


FIG. 5