



US00D805792S

(12) **United States Design Patent** (10) **Patent No.:** **US D805,792 S**
So (45) **Date of Patent:** **** Dec. 26, 2017**

(54) **CAMISOLE HANGER**
(71) Applicant: **Soy So**, Philadelphia, PA (US)
(72) Inventor: **Soy So**, Philadelphia, PA (US)
(**) Term: **15 Years**
(21) Appl. No.: **29/585,086**
(22) Filed: **Nov. 21, 2016**
(51) **LOC (10) Cl.** **06-08**
(52) **U.S. Cl.**
USPC **D6/317**
(58) **Field of Classification Search**
USPC D6/315-328; 223/85-98; 211/10, 13.1,
211/85.3, 113, 119
CPC A47G 25/28; A47G 25/38; A47G 25/14;
A47G 25/442; A47G 25/483; A47G
25/485; A47G 25/4023; Y10S 223/04;
A47F 5/0006
See application file for complete search history.

D229,914 S * 1/1974 Lindemann D6/315
3,887,079 A * 6/1975 Crew A47G 25/24
211/118
D242,414 S * 11/1976 Salladay D6/315
4,168,791 A * 9/1979 Clark, Jr. A47G 25/32
223/94
D387,911 S * 12/1997 Albert D6/317
5,934,524 A * 8/1999 Gray A47G 25/743
223/85
D499,255 S * 12/2004 Goodman D6/317
7,731,068 B2 * 6/2010 Scicluna A47G 25/32
223/88
D759,982 S * 6/2016 Berger D6/317

* cited by examiner

Primary Examiner — Lauren Calve

(74) *Attorney, Agent, or Firm* — Michael J. Feigin, Esq.;
Feigin & Fridman

(57) **CLAIM**

The ornamental design for a camisole hanger, as shown and described.

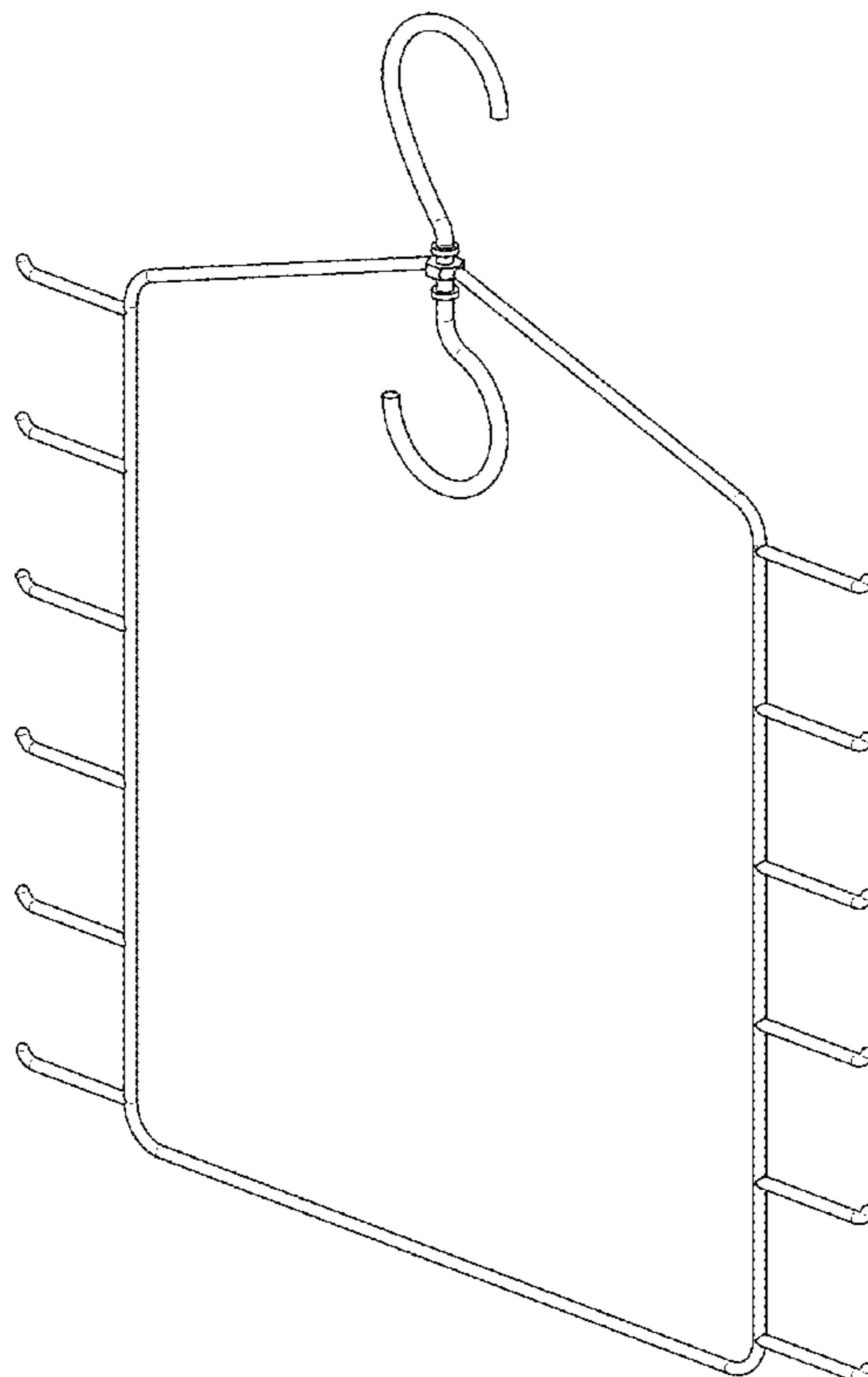
DESCRIPTION

FIG. 1 is a top perspective view of a camisole hanger;
FIG. 2 is a front elevational view thereof;
FIG. 3 is a back elevational view thereof;
FIG. 4 is a left side elevational view thereof;
FIG. 5 is a right side elevational view thereof;
FIG. 6 is a top plan view thereof; and,
FIG. 7 is a bottom plan view thereof.

1 Claim, 5 Drawing Sheets

(56) **References Cited**
U.S. PATENT DOCUMENTS

D162,261 S * 2/1951 Tuma 223/88
D164,710 S * 10/1951 Perry 223/88
D196,405 S * 9/1963 Levine et al. 223/88
3,153,499 A * 10/1964 Babiskin A47G 25/14
223/88
D207,076 S * 2/1967 Bertram D6/315



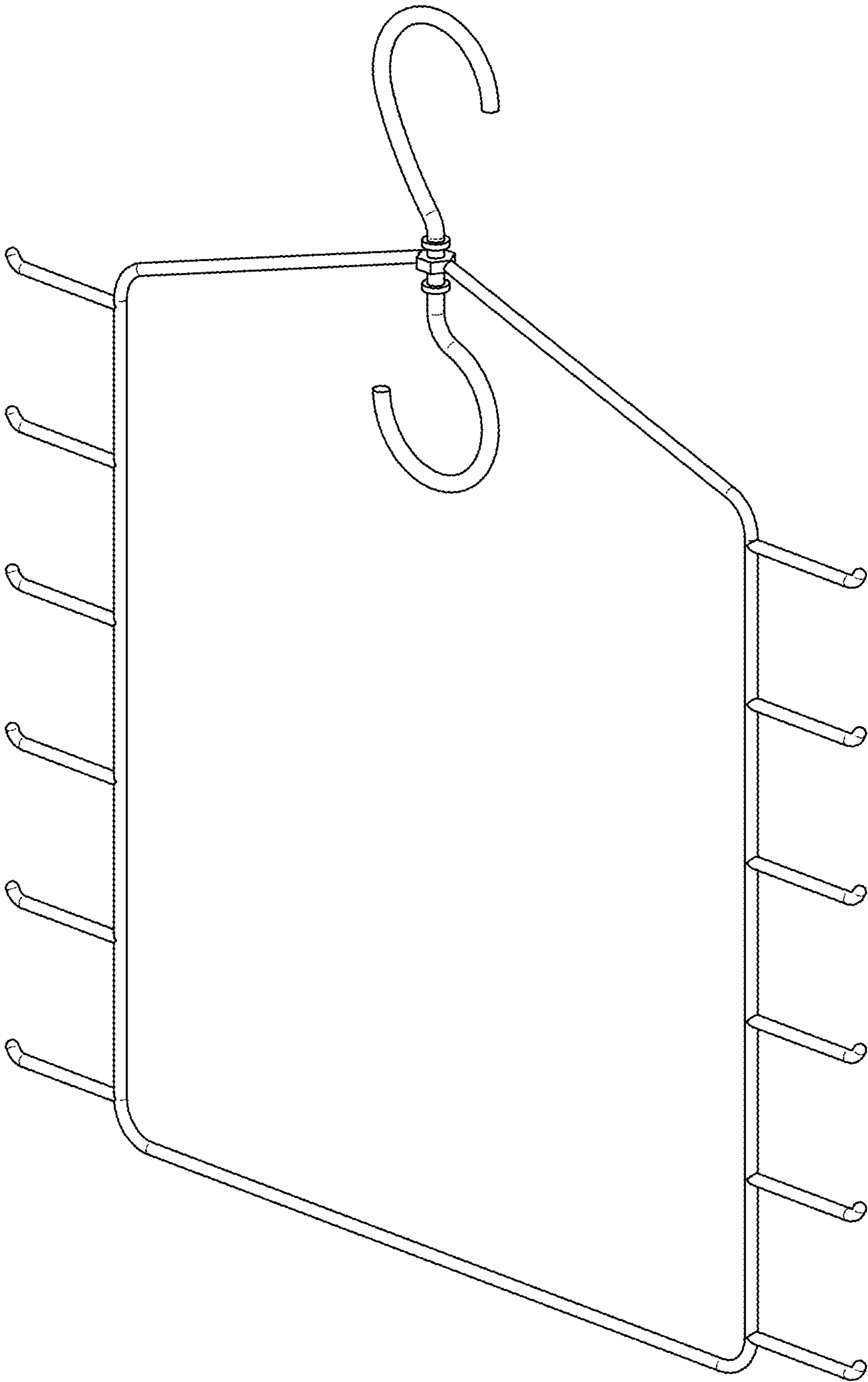


FIG. 1

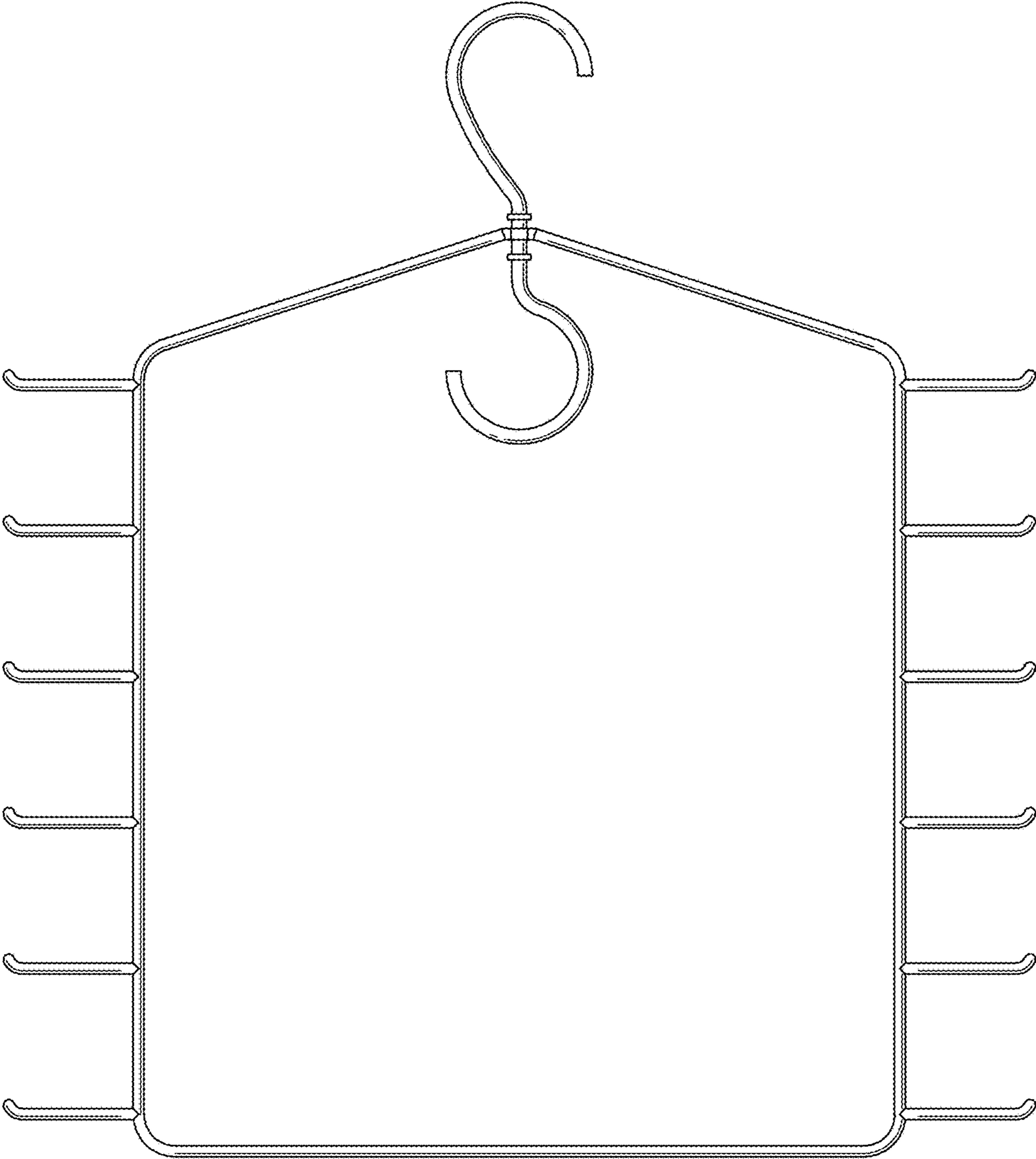


FIG. 2

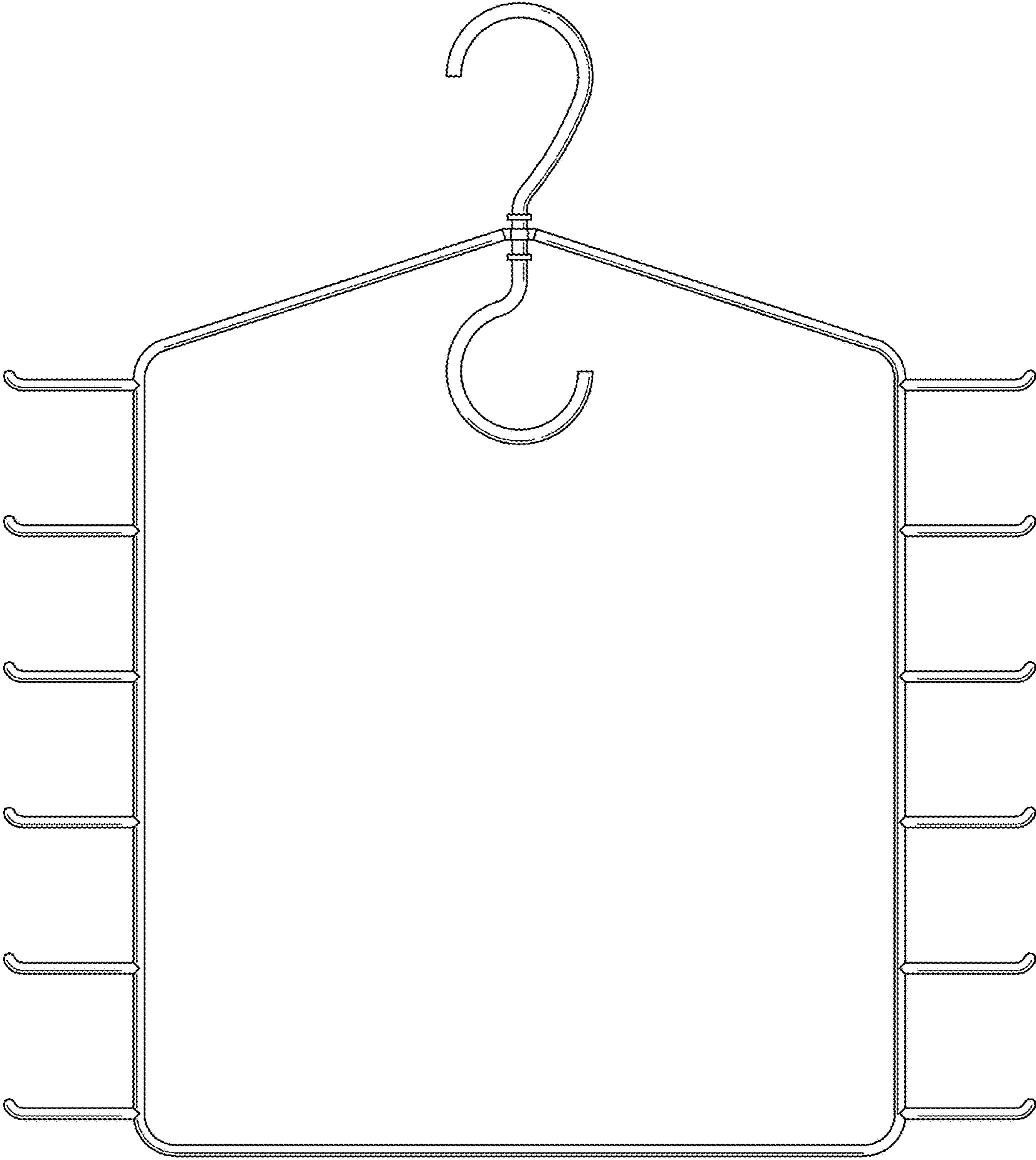


FIG. 3

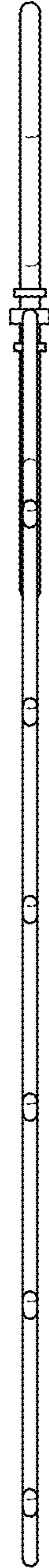


FIG. 4



FIG. 5



FIG. 6



FIG. 7