



US00D805791S

(12) **United States Design Patent** (10) **Patent No.:** **US D805,791 S**
Meyer et al. (45) **Date of Patent:** **** Dec. 26, 2017**

(54) **HANGER**

(71) Applicant: **TARGET BRANDS, INC.**,
Minneapolis, MN (US)

(72) Inventors: **Scott A. Meyer**, Shakopee, MN (US);
William Wooi, Minneapolis, MN (US);
Michael Warren, London (GB)

(73) Assignee: **Target Brands, Inc.**, Minneapolis, MN
(US)

(**) Term: **15 Years**

(21) Appl. No.: **29/575,788**

(22) Filed: **Aug. 29, 2016**

(51) **LOC (10) Cl.** **06-08**

(52) **U.S. Cl.**
USPC **D6/315**

(58) **Field of Classification Search**

USPC D6/315-328; 211/13, 85.3, 113
CPC A47G 25/28; A47G 25/32; A47G 25/487;
A47G 25/26; A47G 25/4023; A47G
25/20; A47G 25/481; A47G 25/743;
A47G 25/442; A47G 25/30; A47G 25/48;
A47G 25/36; A47G 25/24; A47G 25/16;
A47G 25/14; A47G 25/40; A47G 25/52;
A47G 25/70;

(Continued)

(56) **References Cited**

U.S. PATENT DOCUMENTS

541,293 A 6/1895 Smith
706,060 A 8/1902 Howe

(Continued)

OTHER PUBLICATIONS

“Butterfly Style Big Size Space Saving Folding Bed Sheet Towel Rack Hanger”, printed from www.aliexpress.com/item/Butterfly-Style-Big-Size-Space-Savi...-Rack-Hanger-HB422/32301107205.

html?spm=2114.40010308.4.41.fA3dMV, publicly available at least as early as Jun. 10, 2016 (3 pages).

(Continued)

Primary Examiner — Lauren Calve

(74) *Attorney, Agent, or Firm* — JoAnn M. Seaton;
Griffiths & Seaton PLLC

(57) **CLAIM**

The ornamental design for a hanger, as shown and described.

DESCRIPTION

FIG. 1 is a top and front perspective view of a hanger showing a first embodiment of our new design;

FIG. 2 is a front view thereof;

FIG. 3 is a rear view thereof;

FIG. 4 is a right side view thereof;

FIG. 5 is a left side view thereof;

FIG. 6 is a top view thereof; and

FIG. 7 is a bottom view thereof.

FIG. 8 is a top and front perspective view of a hanger showing a second embodiment of our new design;

FIG. 9 is a front view thereof;

FIG. 10 is a rear view thereof;

FIG. 11 is a right side view thereof;

FIG. 12 is a left side view thereof;

FIG. 13 is a top view thereof; and

FIG. 14 is a bottom view thereof.

FIG. 15 is a top and front perspective view of a hanger showing a third embodiment of our new design;

FIG. 16 is a front view thereof;

FIG. 17 is a rear view thereof;

FIG. 18 is a right side view thereof;

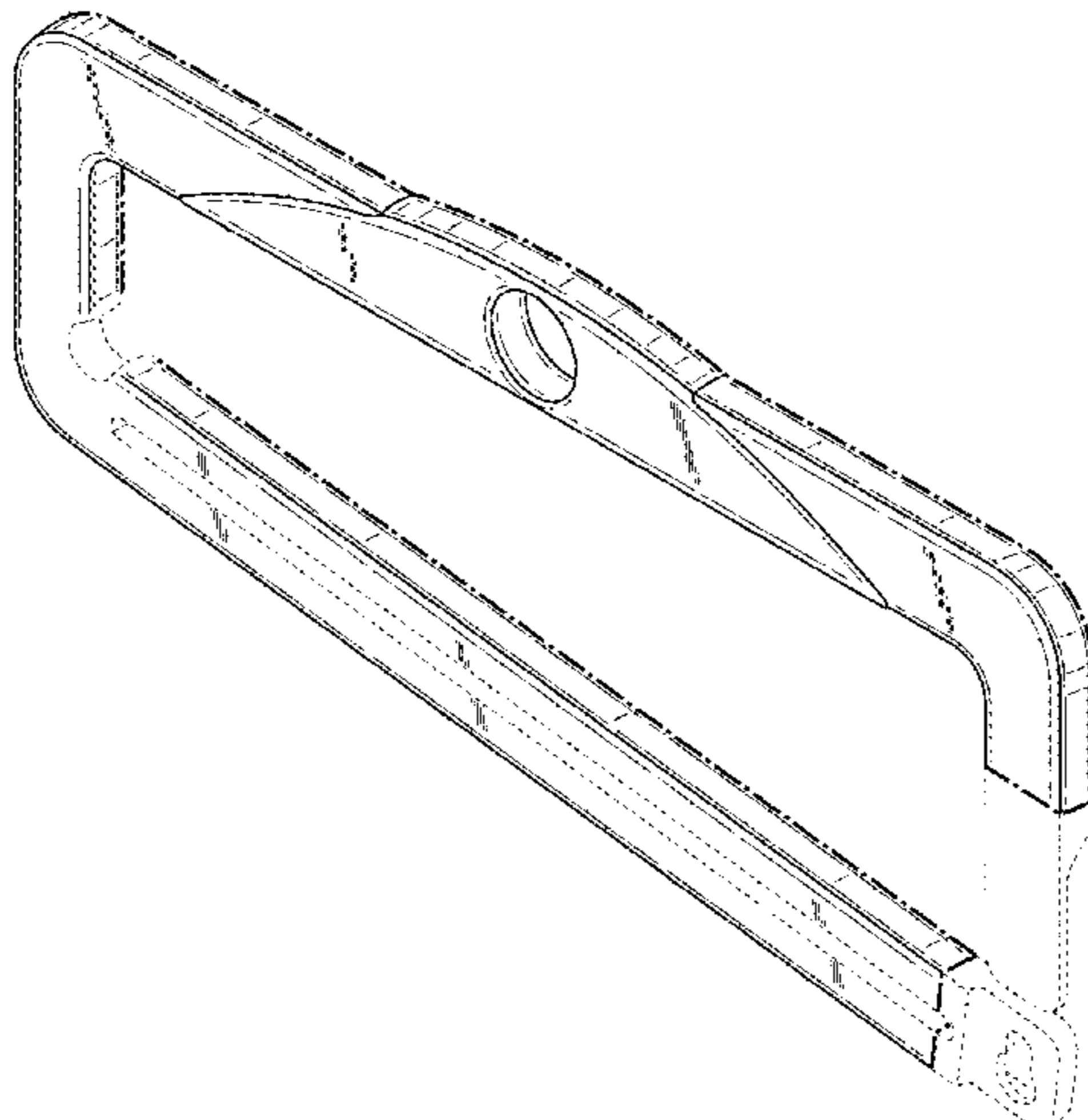
FIG. 19 is a left side view thereof;

FIG. 20 is a top view thereof; and,

FIG. 21 is a bottom view thereof.

In the drawings, the broken lines depict unclaimed subject matter only and form no part of the claimed design. The features shown in long dash-short dash bolded broken lines indicate the bounds of the claimed design and otherwise form no part of the claimed design.

1 Claim, 15 Drawing Sheets



(58) **Field of Classification Search**
 CPC A47G 25/4038; A47G 25/1457; A47G
 25/06; A47G 2025/484; A47G 25/0685;
 A47G 25/34; A47G 25/0607; A47G 25/74
 See application file for complete search history.

(56) **References Cited**

U.S. PATENT DOCUMENTS

864,114	A	8/1907	Wheary	
977,727	A	12/1910	Giese	
1,099,261	A	6/1914	Lewyt	
D140,338	S	2/1945	Hill	
2,409,927	A	10/1946	Byrket	
2,643,037	A	6/1953	Clover	
2,988,230	A	6/1961	Reibold et al.	
3,055,565	A	9/1962	Hollingsworth	
3,462,068	A	8/1969	Suominen	
D215,899	S *	11/1969	Soderberg	D6/315
3,557,944	A	1/1971	Crane	
D225,505	S *	12/1972	Sullivan	D6/317
4,177,908	A	12/1979	Batts et al.	
4,474,316	A	10/1984	Philibert	
4,556,158	A	12/1985	Blanchard et al.	
4,557,516	A	12/1985	Usner	
D301,942	S	7/1989	Talbot-Titley	
4,889,265	A	12/1989	Morgan	
4,901,894	A	2/1990	Blanchard	
5,092,502	A	3/1992	Kolton et al.	
D336,484	S	6/1993	Morrow et al.	
D337,338	S	7/1993	Chang	
D345,097	S	3/1994	Triangolo	

5,421,465	A	6/1995	Dunner, Jr.	
D365,448	S	12/1995	Travis et al.	
D401,705	S	11/1998	Jones	
D410,793	S	6/1999	Gouldson	
6,499,635	B1 *	12/2002	Weinstein	A47G 25/743 223/85
D486,651	S *	2/2004	Beverly	D6/315
D507,417	S *	7/2005	Franzone, Jr.	D6/317
D527,536	S	9/2006	McCoy et al.	
D567,516	S	4/2008	Mangano	
D606,767	S	12/2009	Warren	
D613,513	S *	4/2010	Boyko	D6/319
D633,310	S	3/2011	Song et al.	
7,984,803	B2	7/2011	Anderson et al.	
D647,709	S	11/2011	Anderson et al.	
D648,140	S	11/2011	Ferraro et al.	
8,424,729	B2	4/2013	Verneau	
8,444,029	B2	5/2013	Ferraro et al.	
D711,658	S	8/2014	Pelton et al.	
2010/0307936	A1	12/2010	Anderson et al.	
2011/0180572	A1 *	7/2011	Verneau	A47G 25/487 223/96
2012/0228341	A1 *	9/2012	Ferraro	A47F 5/0006 223/85

OTHER PUBLICATIONS

“Creative Slide Telescopic Hangers”, printed from www.aliexpress.com/item/Creative-slide-telescopic-hangers-pl...se-wind-drying-rack/32583802220.html?spm=2114.40010308.4.14.qFrNYj, publicly available at least as early as Jun. 10, 2016 (4 pages).

* cited by examiner

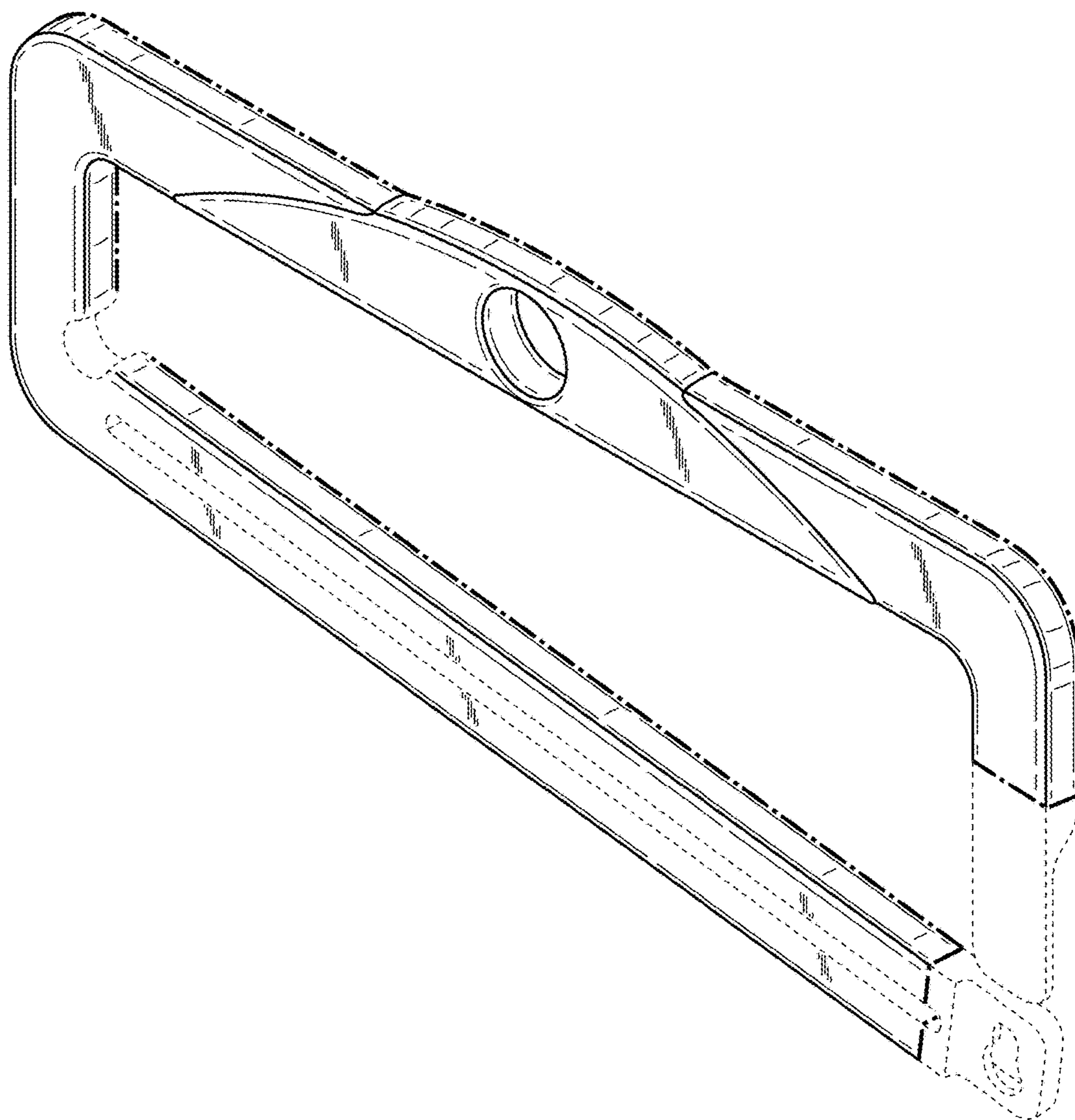


FIG. 1

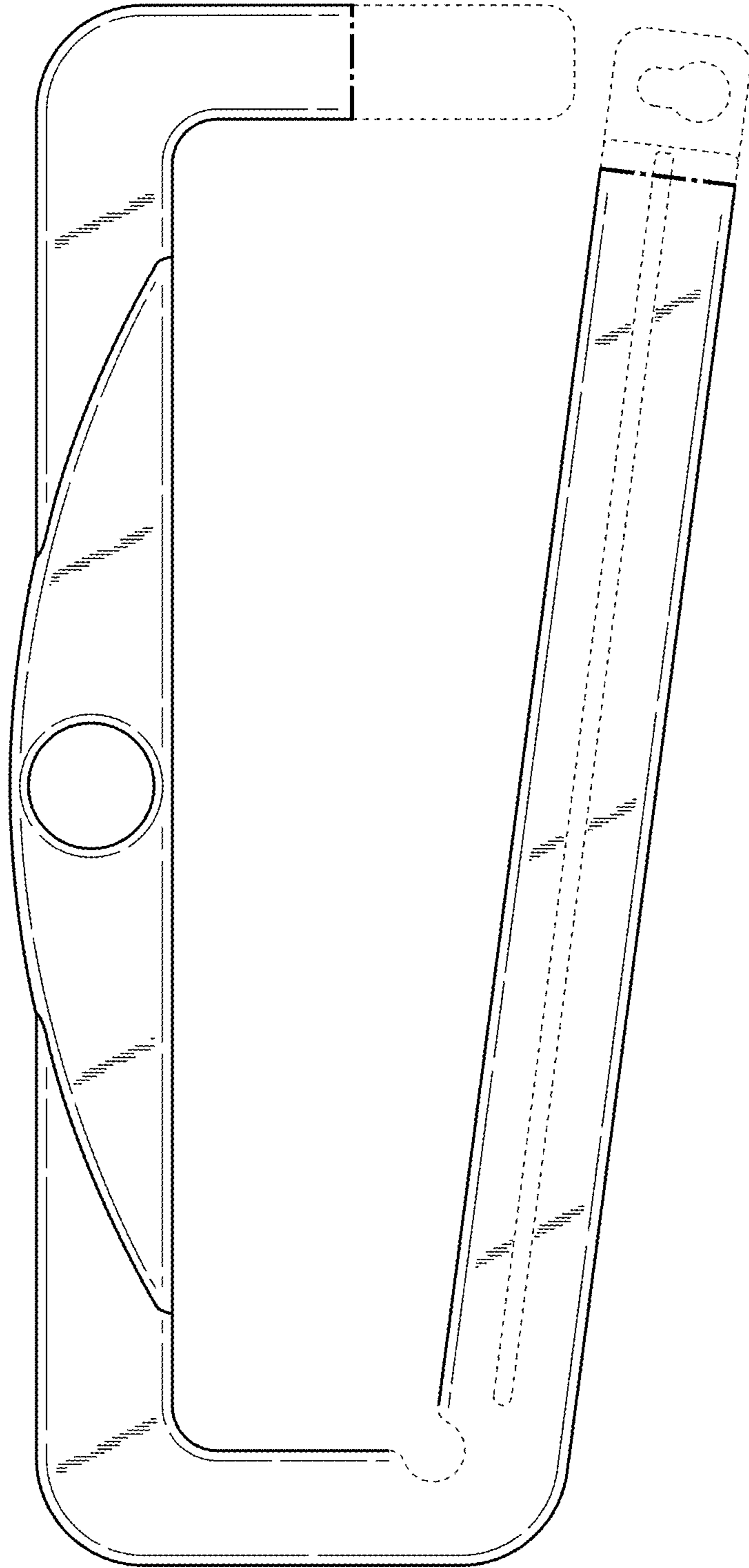


FIG. 2

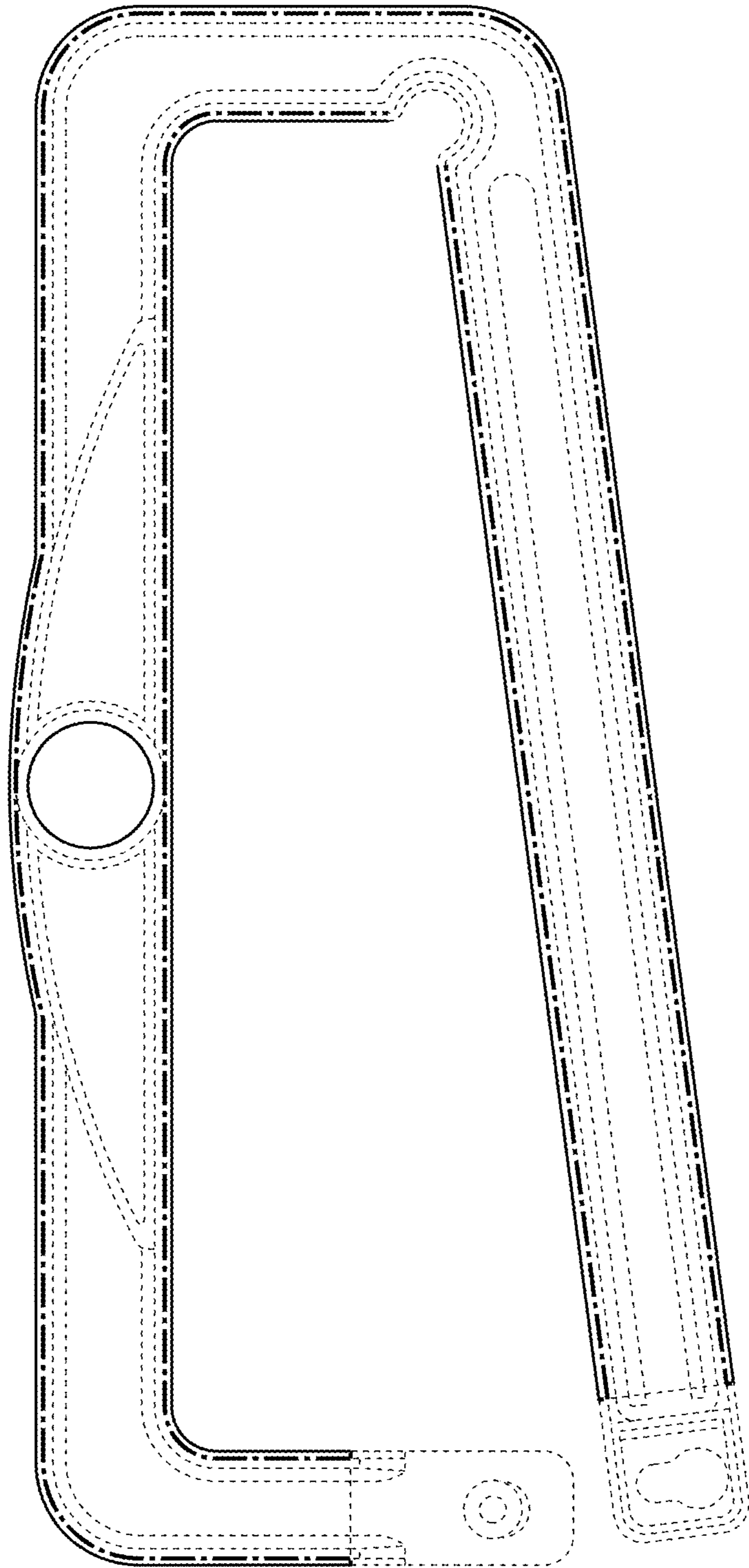


FIG. 3

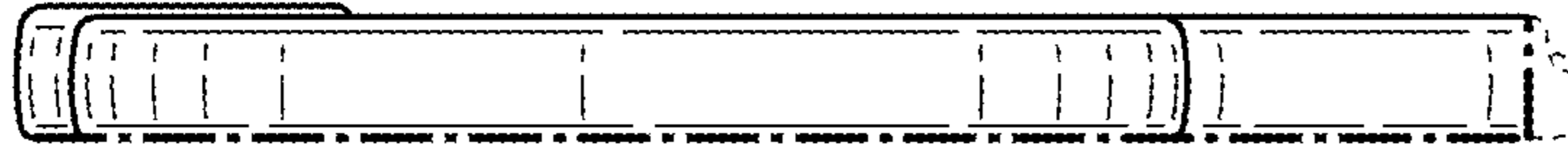


FIG. 5

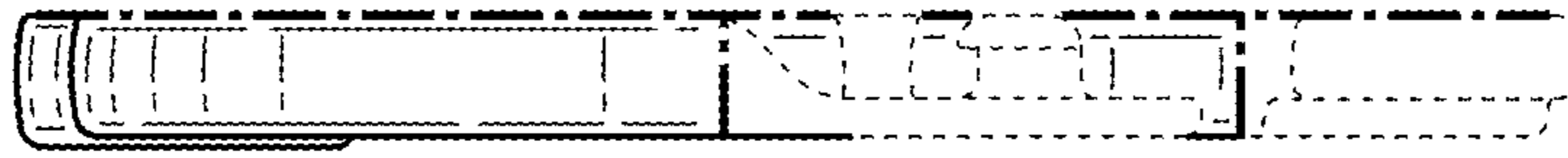


FIG. 4

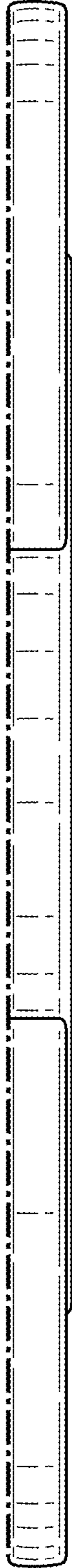


FIG. 6



FIG. 7

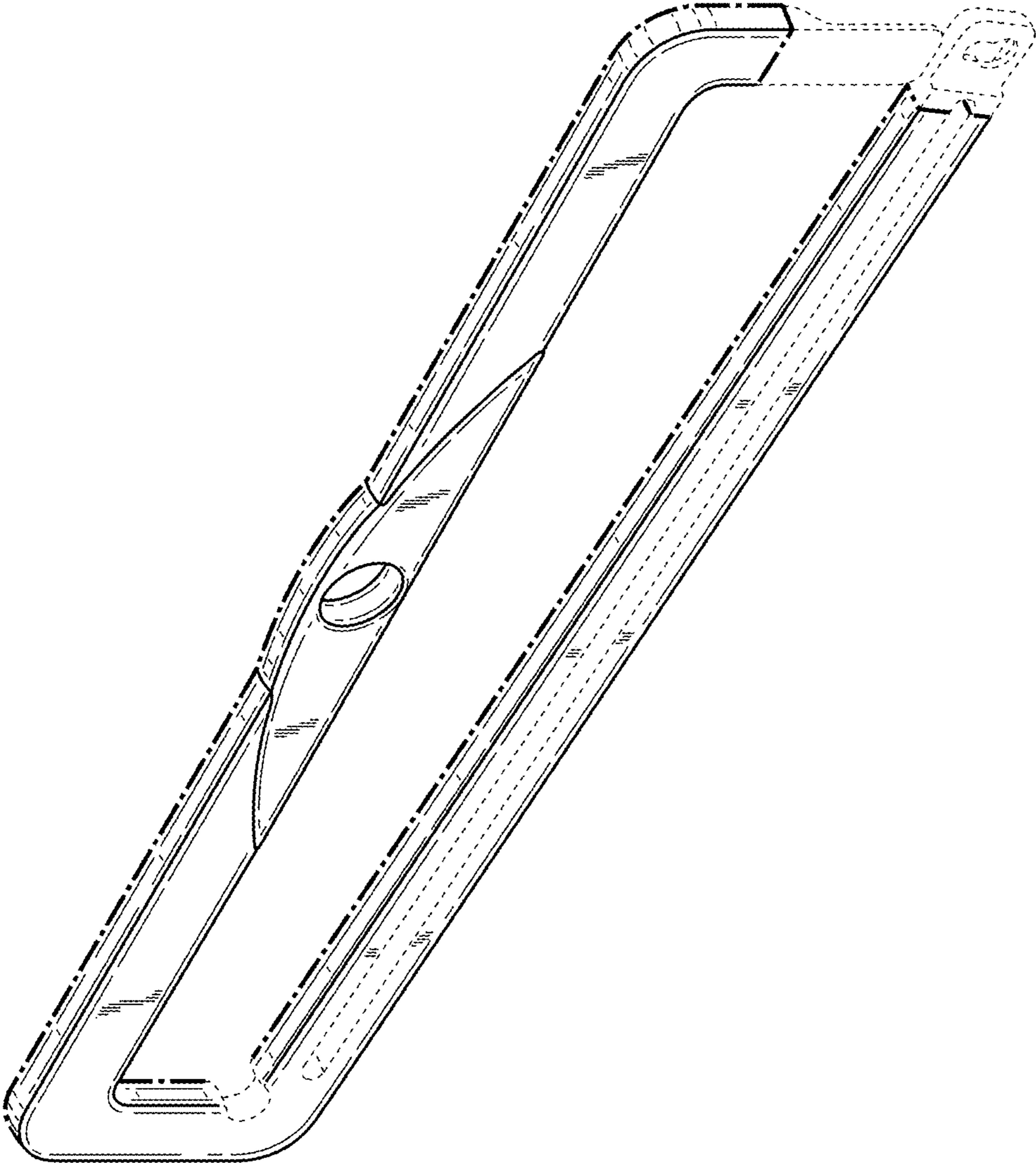


FIG. 8

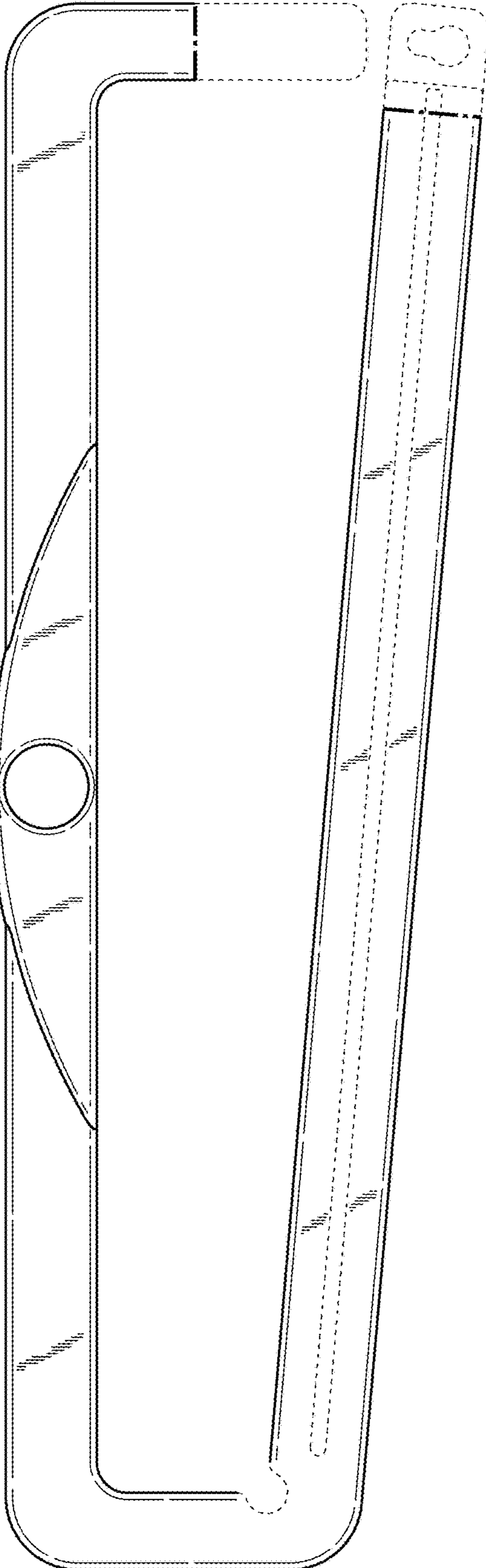


FIG. 9

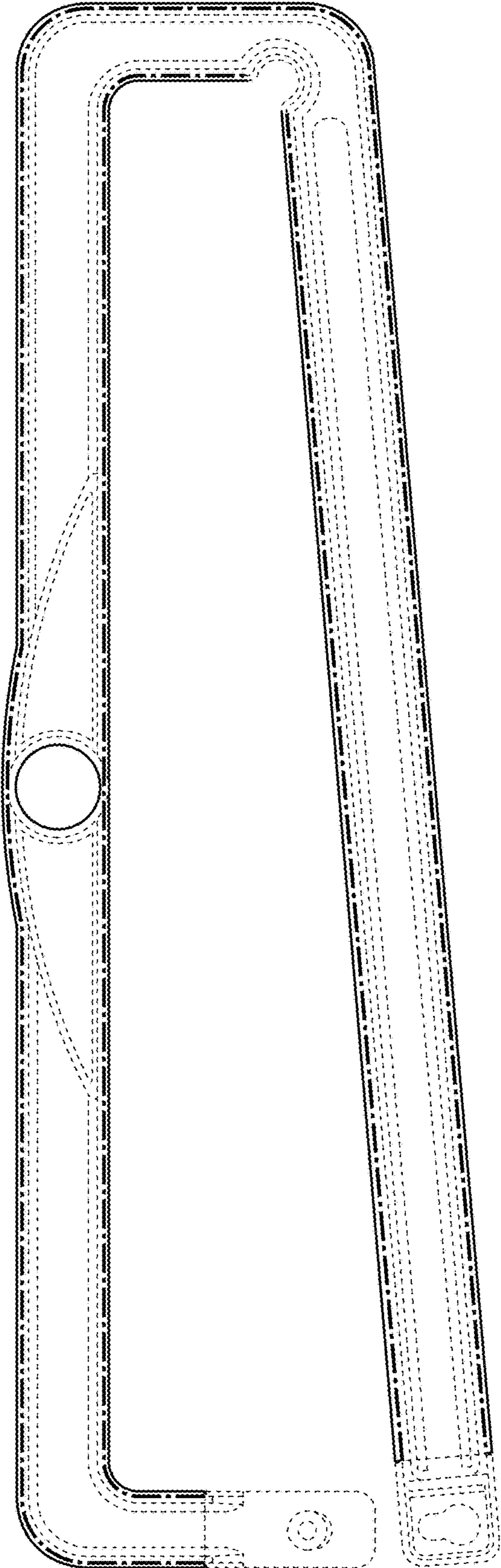


FIG. 10

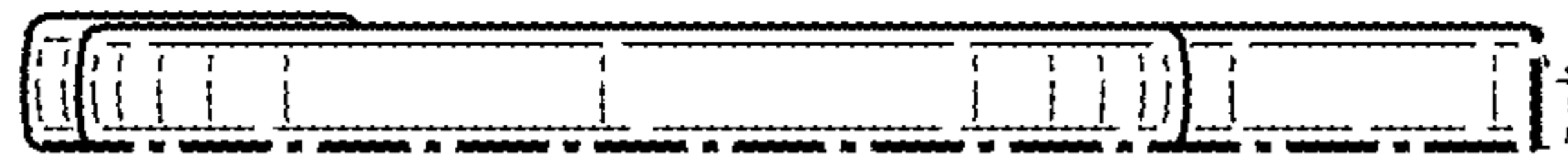


FIG. 12

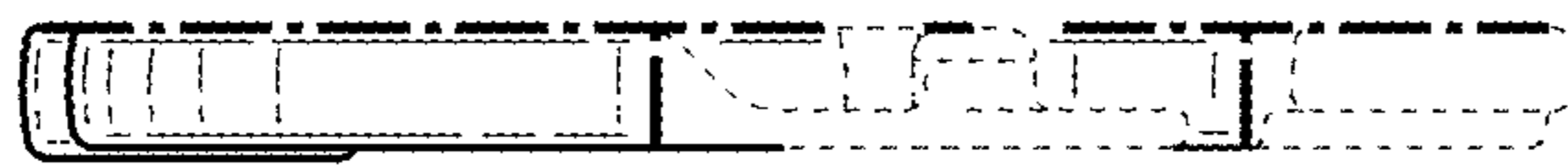


FIG. 11



FIG. 13



FIG. 14

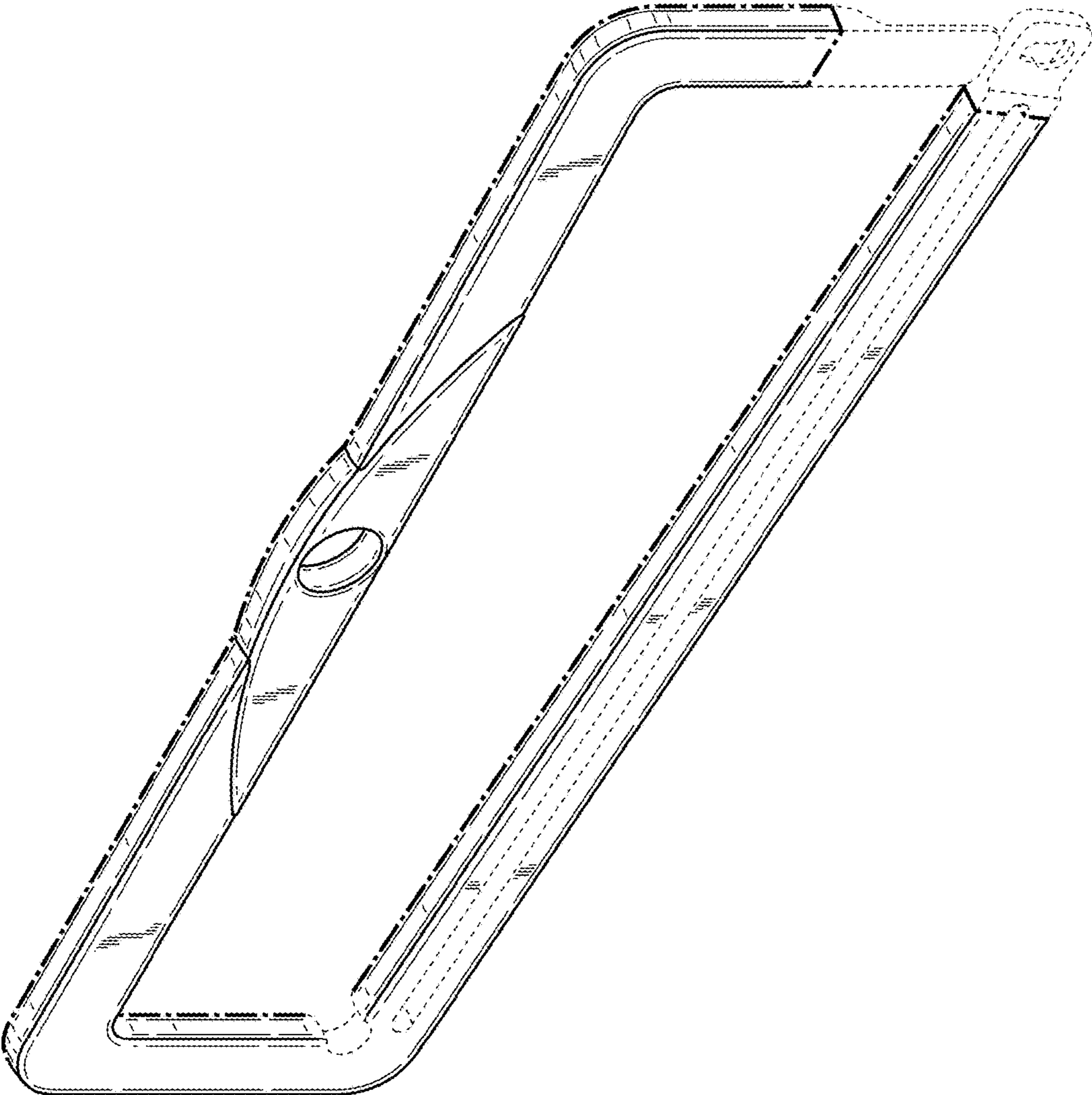


FIG. 15

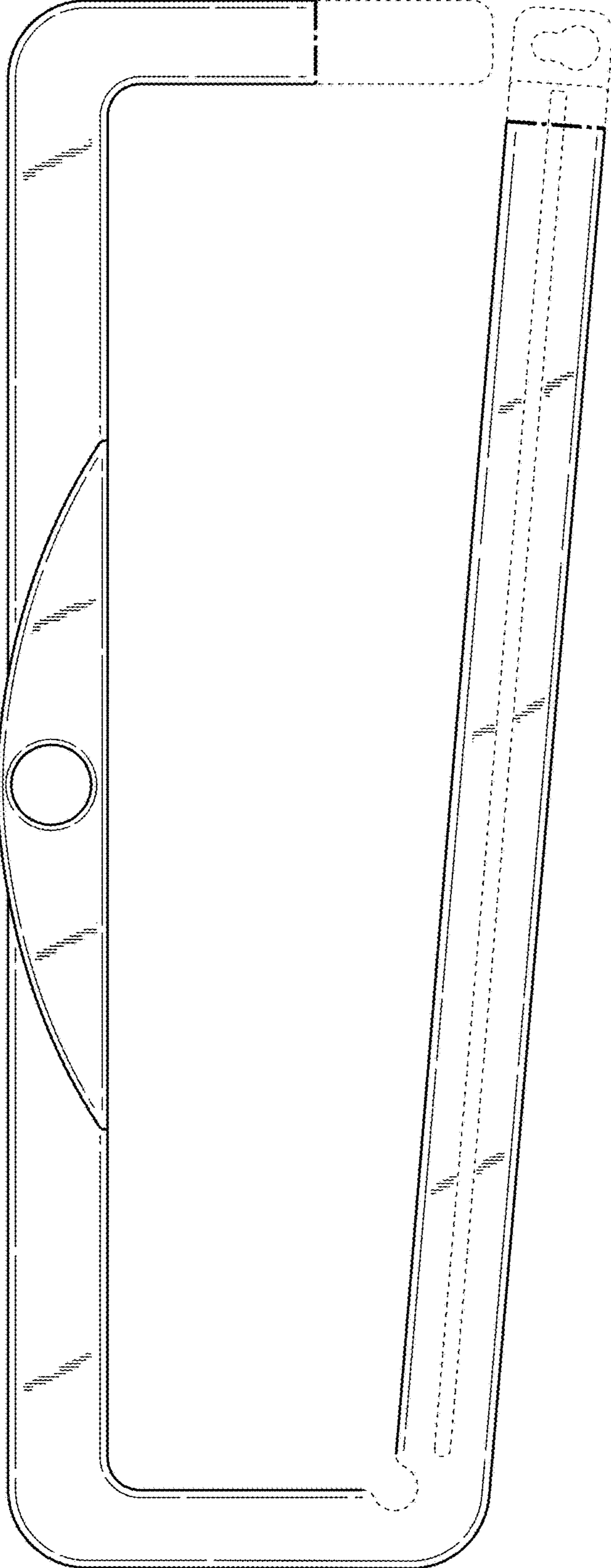


FIG. 16

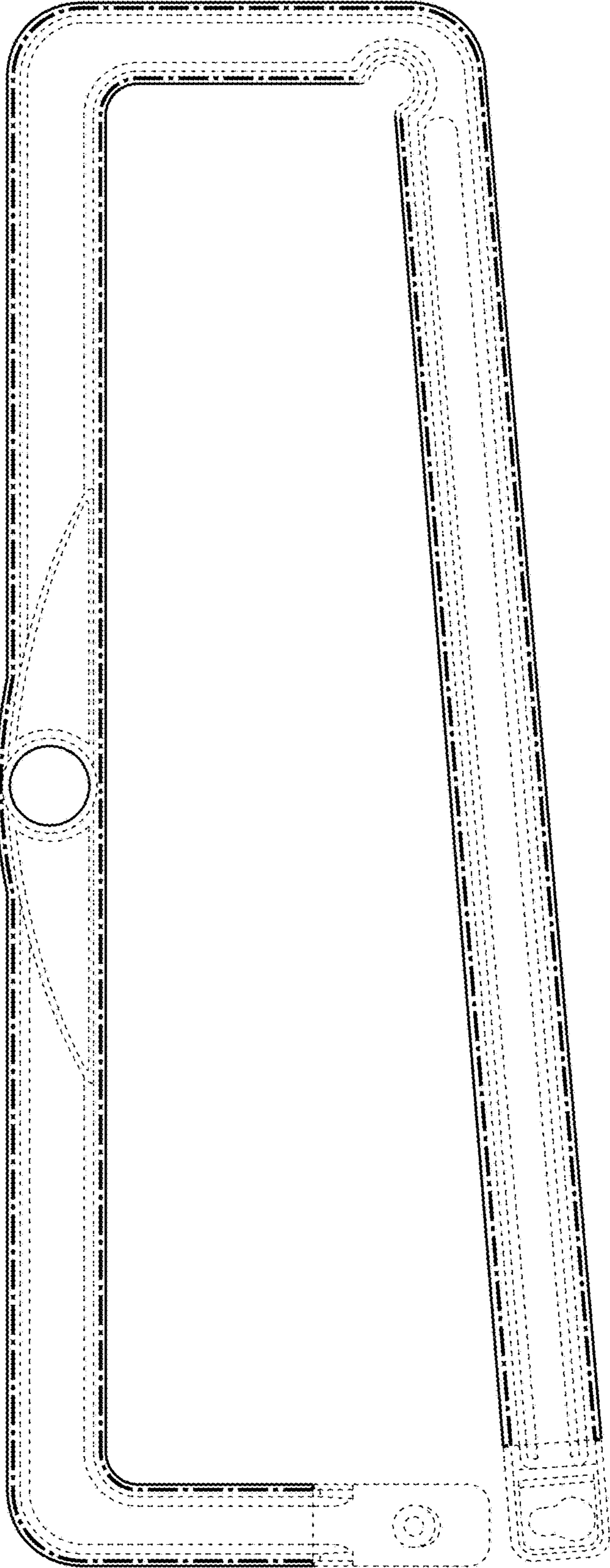


FIG. 17



FIG. 19

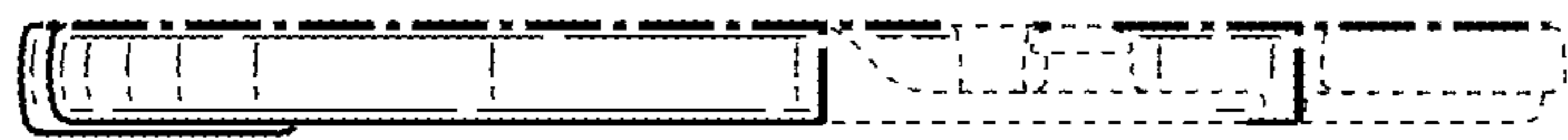


FIG. 18



FIG. 20



FIG. 21