



US00D805788S

(12) **United States Design Patent** (10) **Patent No.:** **US D805,788 S**
Eilmus (45) **Date of Patent:** **** Dec. 26, 2017**

(54) **CLEANING TOOL**

(71) Applicant: **Kohler Co.**, Kohler, WI (US)

(72) Inventor: **Niels J. Eilmus**, Sheboygan, WI (US)

(73) Assignee: **KOHLER CO.**, Kohler, WI (US)

(**) Term: **15 Years**

(21) Appl. No.: **29/548,120**

(22) Filed: **Dec. 10, 2015**

Related U.S. Application Data

(62) Division of application No. 29/470,936, filed on Oct. 25, 2013, now Pat. No. Des. 767,282.

(51) **LOC (10) Cl.** **04-02**

(52) **U.S. Cl.**
USPC **D4/135**

(58) **Field of Classification Search**

USPC D4/128, 129, 131, 136, 138, 108, 109,
D4/119; D32/35, 51; 15/104.5, 104.16,
15/104.2, 104.31, 104.32, 164, 165, 206;
D28/65; D7/682; 452/298, 458
CPC A46B 2200/10; A46B 2200/104;
A45D 2/10; A45D 1/00; A46D 1/003;
A46D 3/087

See application file for complete search history.

(56) **References Cited**

U.S. PATENT DOCUMENTS

120,090	A	10/1871	Osgood	
1,525,210	A	2/1925	Stein	
D218,388	S	8/1970	Whitaker	
D288,988	S *	3/1987	Fomby	D4/135
D304,392	S *	11/1989	Reich	D4/135
D310,917	S *	10/1990	Futter	D4/114
D331,151	S *	11/1992	Kiefer	D4/121
5,485,647	A	1/1996	Durst	
D371,003	S *	6/1996	Wolfenden	D4/135
5,615,441	A	4/1997	Savini	

D405,614	S *	2/1999	Geardino	D28/25
D480,218	S *	10/2003	Mink	D4/135
D521,244	S *	5/2006	Germany	D4/119

(Continued)

FOREIGN PATENT DOCUMENTS

CN 301441309 S 1/2011

OTHER PUBLICATIONS

U.S. Office Action dated Dec. 31, 2015, from related patent U.S. Appl. No. 29/470,936.

Primary Examiner — Austin Murphy

(74) *Attorney, Agent, or Firm* — Foley & Lardner LLP

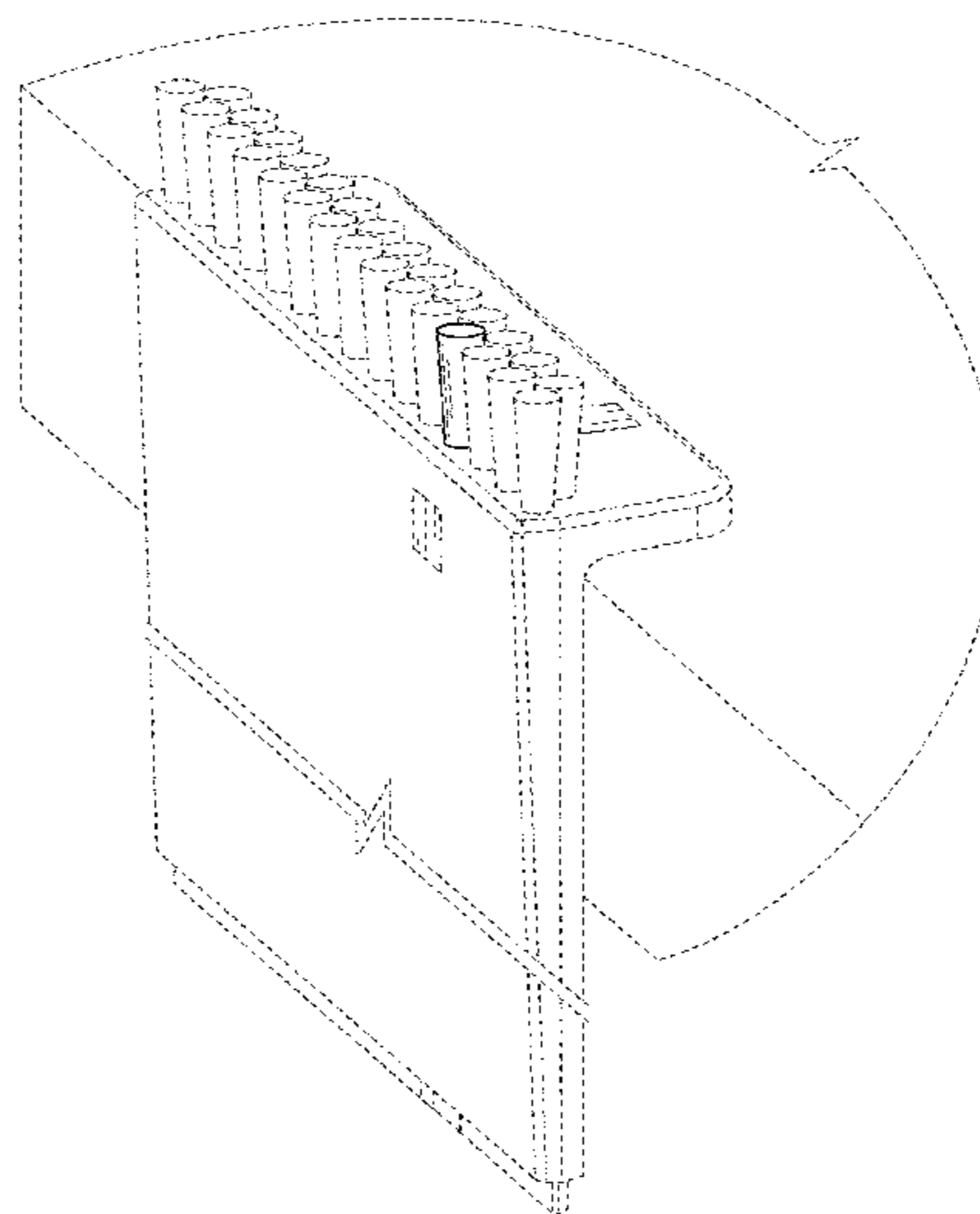
(57) **CLAIM**

I claim the ornamental design for a cleaning tool, as shown and described.

DESCRIPTION

FIG. 1 is a perspective view of an embodiment of the claimed design;
FIG. 2 is a front plan view of the design of FIG. 1;
FIG. 3 is a rear plan view of the design of FIG. 1;
FIG. 4 is a right side plan view of the design of FIG. 1;
FIG. 5 is a left side plan view of the design of FIG. 1;
FIG. 6 is a top plan view of the design of FIG. 1; and,
FIG. 7 is a bottom plan view of the design of FIG. 1.
The ornamental design which is claimed is shown in solid lines in the drawings. The broken lines in the drawings are for illustrative purposes only and form no part of the claimed design. Broken lines formed by equal length dashes show unclaimed portions of the design. Broken lines formed of unequal length dashes (i.e., dash-dot) show boundaries between claimed and unclaimed portions of the designs. Lines having a jagged element are not part of the claimed design and show that no particular length of the portion is claimed.

1 Claim, 3 Drawing Sheets



(56)

References Cited

U.S. PATENT DOCUMENTS

D553,862	S	*	10/2007	Gregg	A46B 5/0091	
							D4/121
D556,456	S	*	12/2007	Meyer		D4/135
D567,509	S	*	4/2008	Kao		D4/121
D578,773	S	*	10/2008	Sherman		D4/135
D584,514	S	*	1/2009	Dale		D4/135
D584,897	S	*	1/2009	Belley		D4/135
D594,233	S	*	6/2009	Cook		D4/114
D614,407	S	*	4/2010	Muhl		D4/135
D634,549	S	*	3/2011	Arvinte		D4/135
D688,433	S		8/2013	Morcott			
D703,444	S	*	4/2014	Jalet		D4/121
D710,115	S	*	8/2014	Dale		D4/135
D721,892	S	*	2/2015	Ash		D4/114
D733,436	S	*	7/2015	Vasilakes		D4/135
D733,437	S	*	7/2015	Sherman		D4/135
D737,056	S	*	8/2015	Vasilakes		D4/135
D738,628	S	*	9/2015	Krohmer		D4/118
D765,421	S	*	9/2016	Cole		D4/135
D785,948	S	*	5/2017	Weaver		D4/135
D791,490	S	*	7/2017	Johnson		D4/135

* cited by examiner

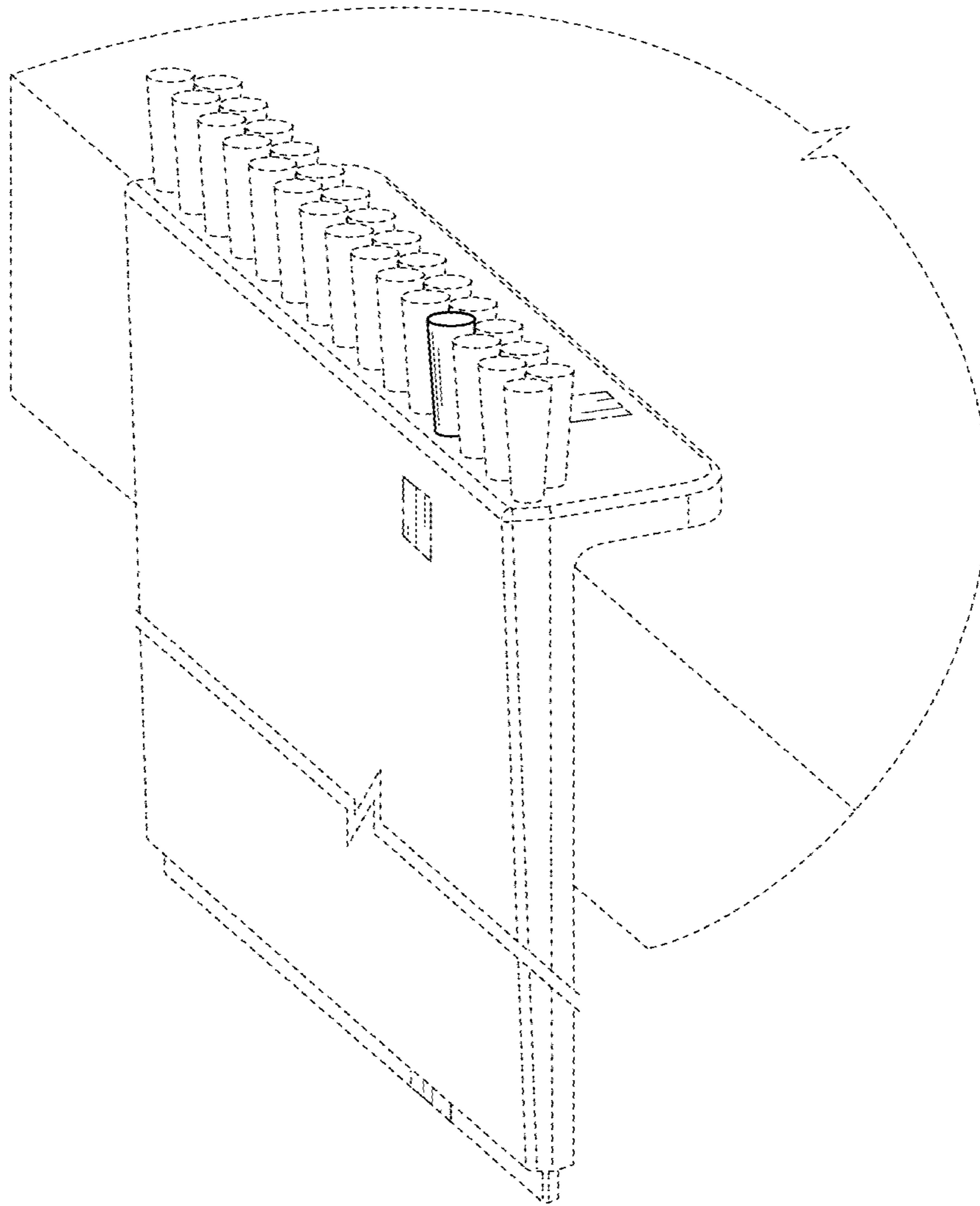


FIG. 1

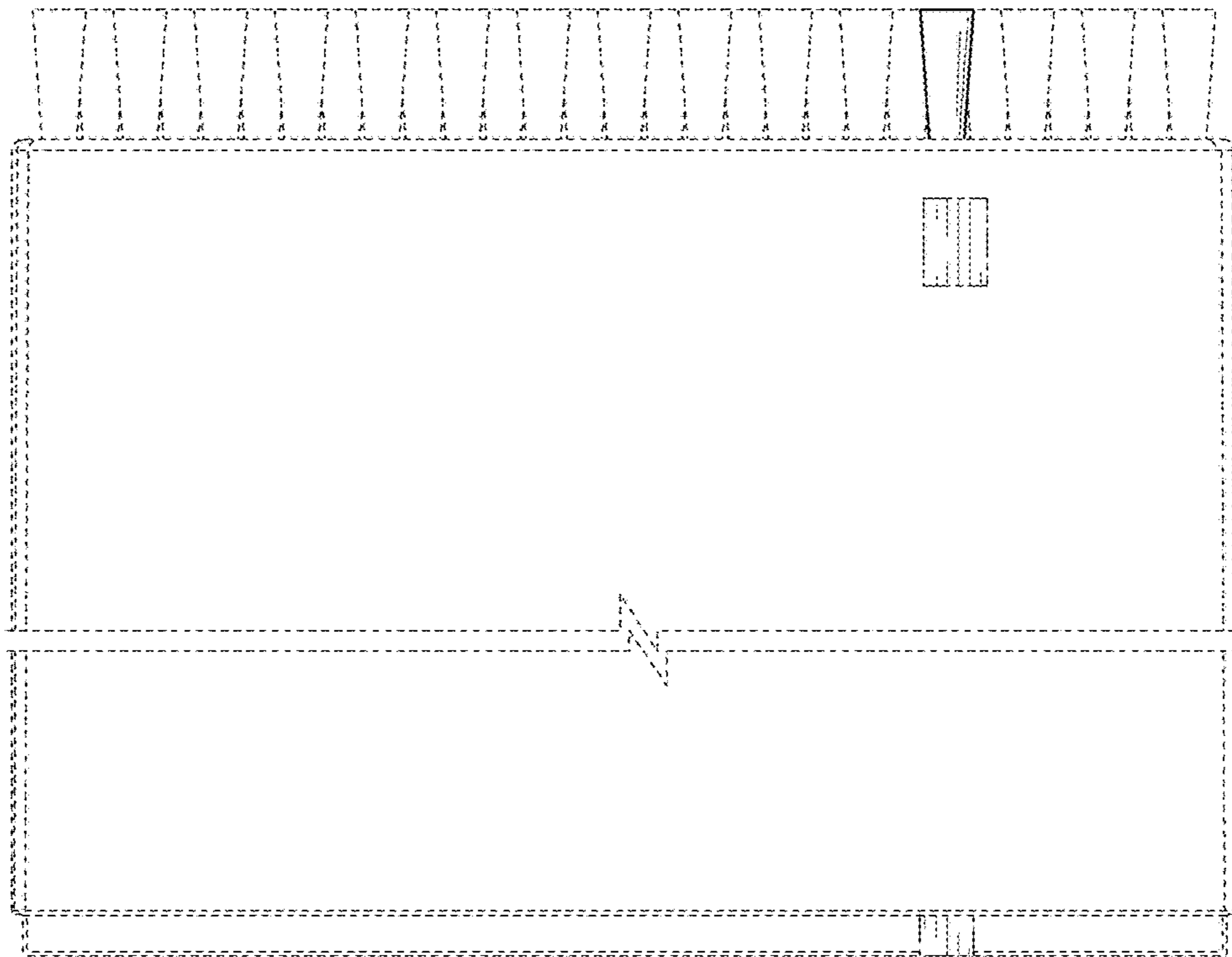


FIG. 2

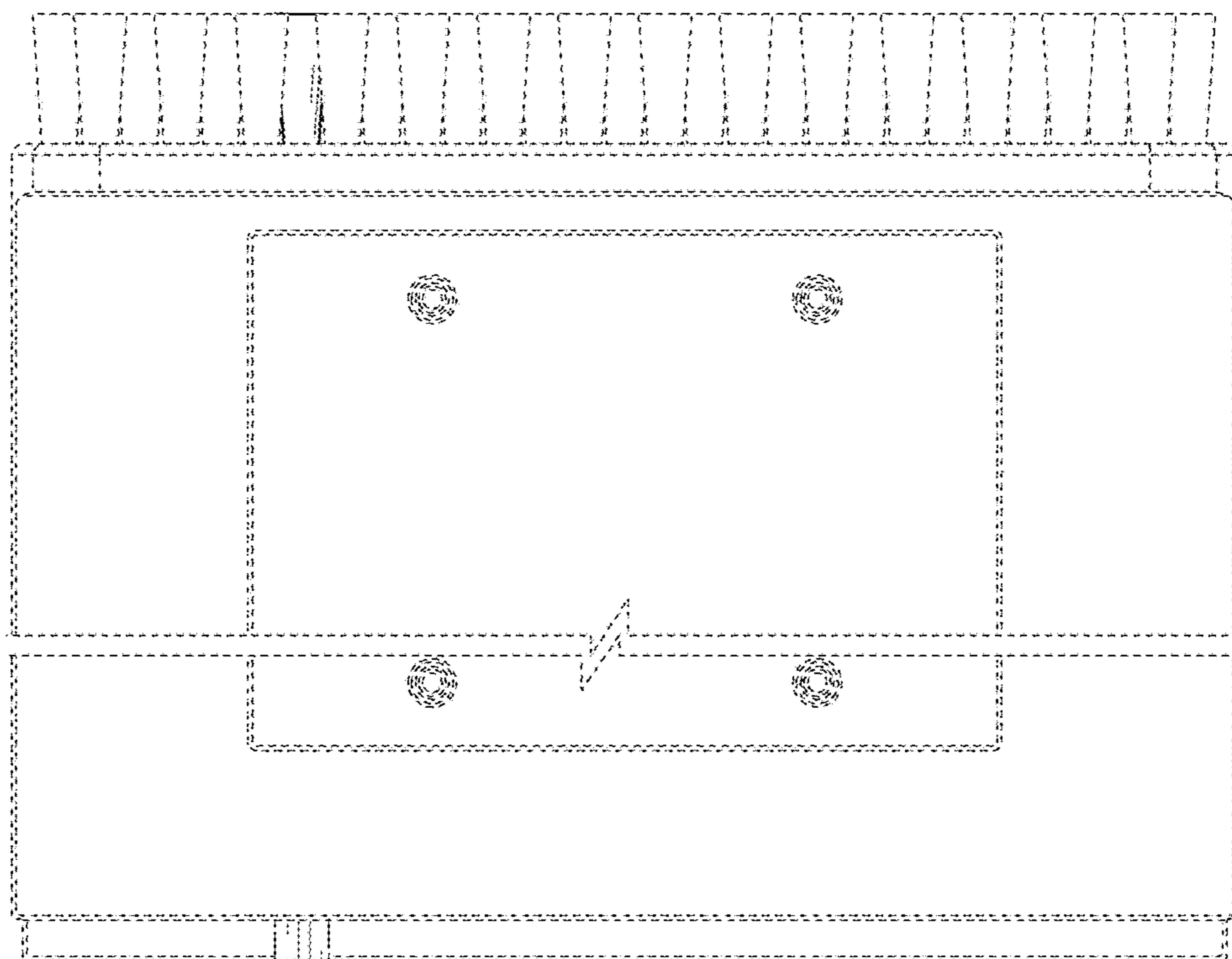


FIG. 3

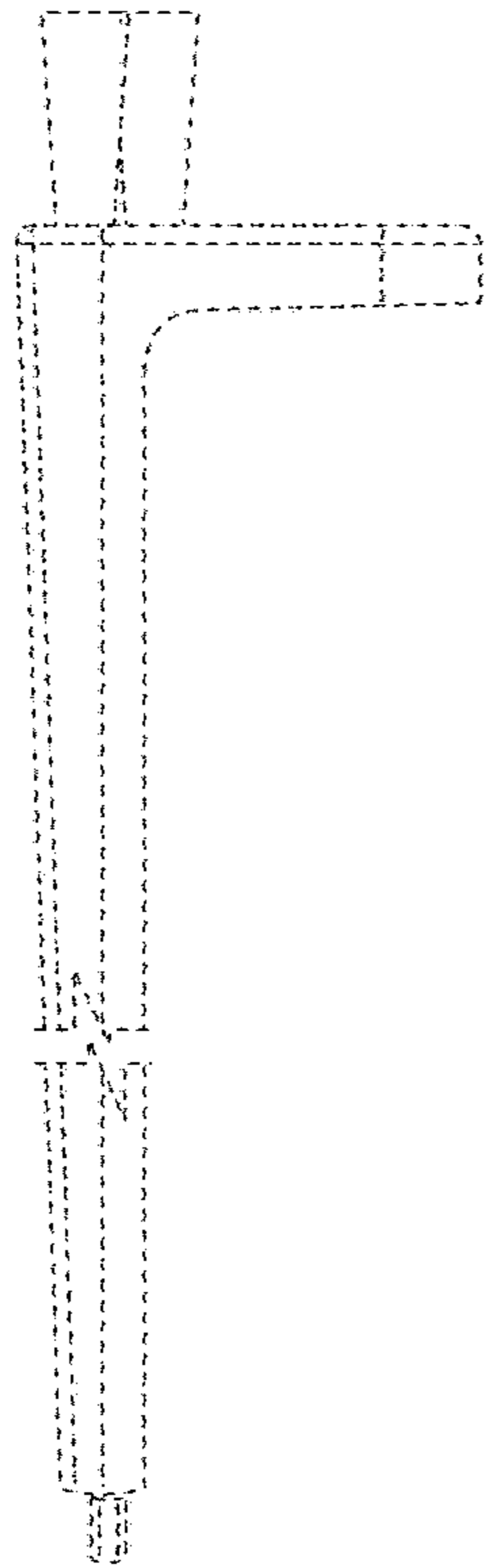


FIG. 4

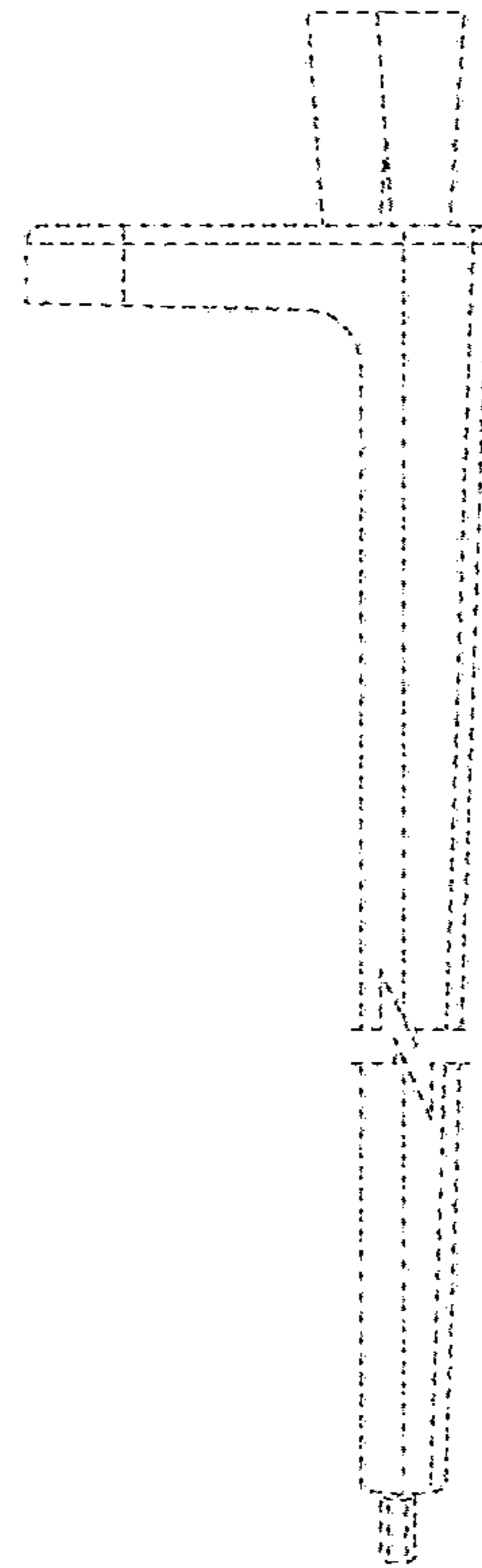


FIG. 5

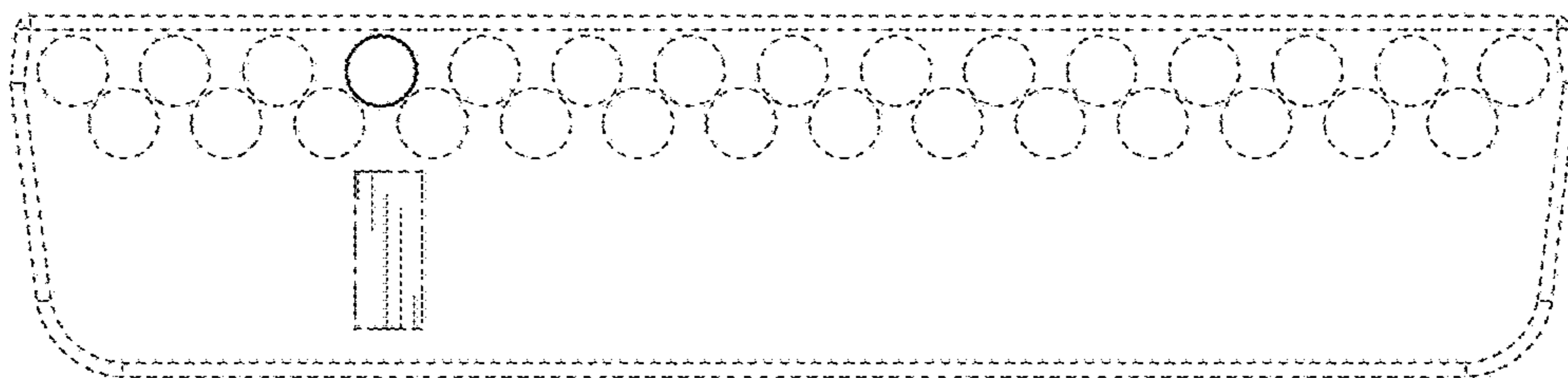


FIG. 6

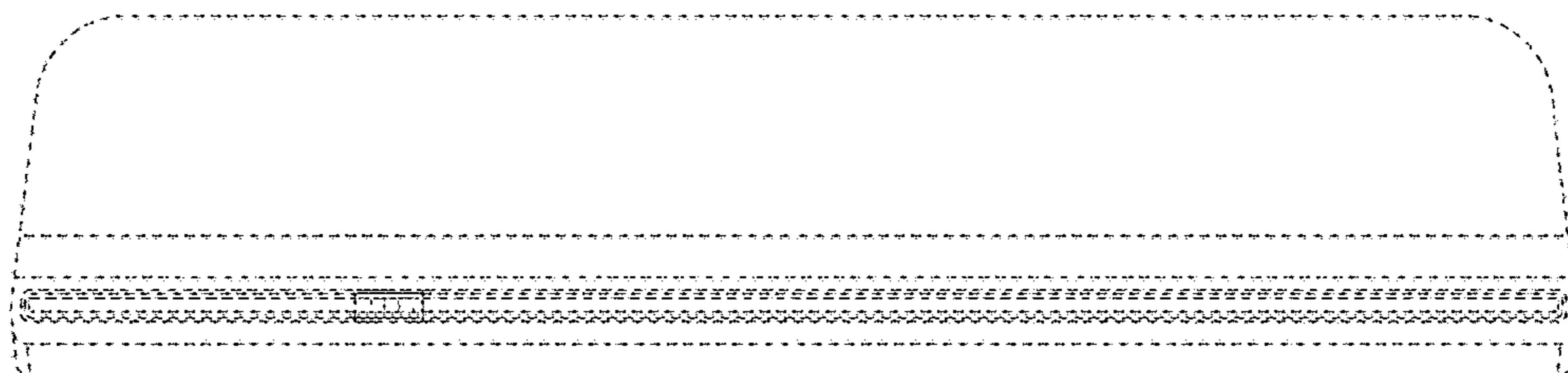


FIG. 7