



US00D805786S

(12) **United States Design Patent** (10) **Patent No.:** **US D805,786 S**
Morton et al. (45) **Date of Patent:** **** Dec. 26, 2017**

(54) **BRUSH**

(71) Applicant: **Goody Products, Inc.**, Atlanta, GA (US)

(72) Inventors: **Timothy James Morton**, Kalamazoo, MI (US); **Roberta Celeste Brown**, Kalamazoo, MI (US); **Carl Johan Liden**, New York, NY (US); **Brett Tobias Tom**, San Francisco, CA (US); **Nicholas Burrows**, Brooklyn, NY (US); **Eric Call**, New York, NY (US)

(73) Assignee: **Goody Products, Inc.**, Atlanta, GA (US)

(**) Term: **15 Years**

(21) Appl. No.: **29/553,838**

(22) Filed: **Feb. 4, 2016**

(51) **LOC (10) Cl.** **04-02**

(52) **U.S. Cl.**
USPC **D4/133**

(58) **Field of Classification Search**
USPC D4/100, 102, 114, 115, 116, 121, 127, D4/128, 129, 132, 133, 134, 135, 136, D4/138, 199; D24/214; D28/15, 35, 21, D28/22, 24, 25, 26, 27, 28, 29, 30, 31, D28/32, 33, 34; D30/158; 15/207.2; 132/211

CPC .. A46B 9/06; A46B 9/02; A46B 9/023; A46B 9/028; A46B 2200/104; A46D 1/0238

See application file for complete search history.

(56) **References Cited**

U.S. PATENT DOCUMENTS

D48,399 S 1/1916 Scheuer
1,957,363 A 5/1934 Sydney
1,963,360 A 6/1934 Gibbin

2,197,551 A 4/1940 Jensen
D191,876 S 12/1961 Hvale
4,217,915 A 8/1980 Gress
D281,728 S * 12/1985 Sherman D28/29
D294,743 S * 3/1988 Seki D28/35
D299,279 S * 1/1989 Reeves D28/35

(Continued)

FOREIGN PATENT DOCUMENTS

CA 169798 3/2017
CA 169799 3/2017

(Continued)

OTHER PUBLICATIONS

Goody Amp It Up Medium Round Hair Brush [on-line]. Publication date unknown; retrieved from the Internet May 1, 2017. URL: <<https://www.walmart.com/ip/Goody-Amp-It-Up-Medium-Round-Hair-Brush/50280015?acti>>. (2 pages).*

(Continued)

Primary Examiner — Karen E Eldridge Powers

(74) *Attorney, Agent, or Firm* — Stephanie Chu

(57) **CLAIM**

The ornamental design for a brush, as shown and described.

DESCRIPTION

FIG. 1 is a perspective view of a brush showing a new design;

FIG. 2 is a front elevation view thereof;

FIG. 3 is a back elevation view thereof;

FIG. 4 is a left side elevation view thereof;

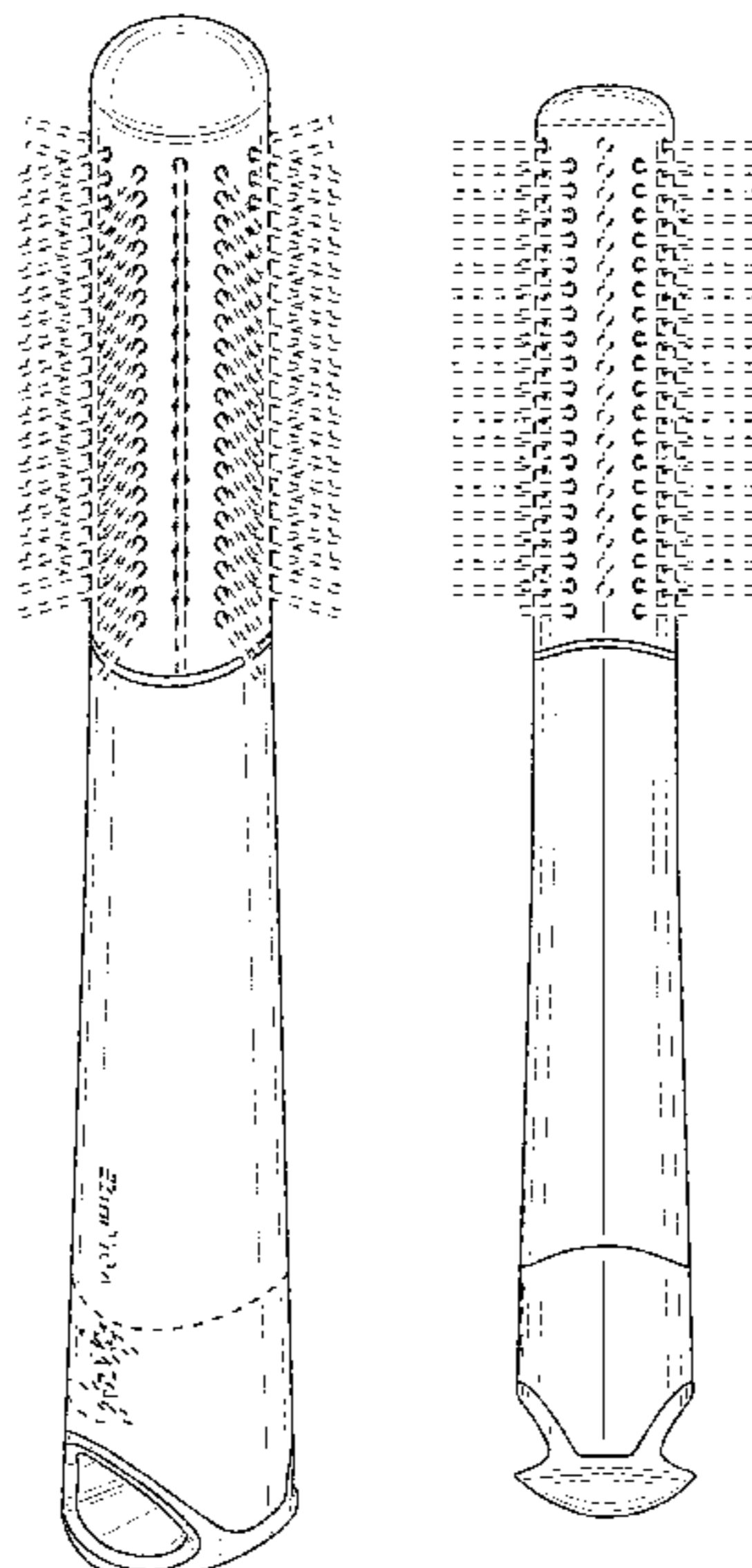
FIG. 5 is a right side elevation view thereof;

FIG. 6 is a top plan view thereof; and,

FIG. 7 is a bottom plan view thereof.

The subject matter shown in dashed lines represents environmental structure and forms no part of the claimed design.

1 Claim, 4 Drawing Sheets



(56)

References Cited

U.S. PATENT DOCUMENTS

D339,210	S	*	9/1993	Classen	D28/15
D379,508	S		5/1997	Hudson		
D381,207	S	*	7/1997	Gertsma	D4/128
5,911,226	A		6/1999	Vecchiola		
5,979,463	A		11/1999	Santy, III		
D427,776	S		7/2000	Chan		
6,213,129	B1		4/2001	Muldoon		
D479,916	S		9/2003	Park		
6,658,687	B1		12/2003	McDonald		
D510,192	S		10/2005	Kampel		
D513,883	S		1/2006	Kampel		
D539,547	S	*	4/2007	Leung	D4/128
D539,548	S	*	4/2007	Leung	D4/128
D541,534	S	*	5/2007	Leung	D4/133
D543,363	S	*	5/2007	Leung	D4/128
D543,705	S	*	6/2007	Leung	D4/133
D580,178	S		11/2008	Bingaman		
7,526,829	B2		5/2009	Chang		
7,690,733	B2		4/2010	Spitale		
D627,976	S		11/2010	Magallanes Orozco		
D646,062	S		10/2011	Leventhal		
D668,054	S	*	10/2012	Julemont	D4/128
8,573,231	B2		11/2013	Ragosta		
D696,026	S		12/2013	Park		
D708,857	S		7/2014	Brown		
D709,705	S		7/2014	Brown		
8,826,918	B2		9/2014	Hornbach		
D721,233	S		1/2015	Schuler		
D721,234	S		1/2015	Schuler		
D721,505	S		1/2015	Schuler		
D721,508	S		1/2015	Schuler		
D724,849	S		3/2015	Schuler		
D730,060	S		5/2015	Rennette		
9,402,460	B2		8/2016	Hickey		
D771,393	S		11/2016	Michelson		
D781,598	S		3/2017	Treeby		
D782,202	S		3/2017	Machiorlette		
2001/0001887	A1		5/2001	Bigio		
2006/0037879	A1		2/2006	Christmas		
2006/0288512	A1		12/2006	Kinchen		
2014/0101879	A1		4/2014	Brown		
2014/0366910	A1		12/2014	Habibi		
2015/0096135	A1		4/2015	Rosenzweig		
2015/0107528	A1		4/2015	Moeller		
2015/0135455	A1		5/2015	Reusche		
2015/0182013	A1		7/2015	Yao		

FOREIGN PATENT DOCUMENTS

CN	303568187	*	1/2016
CN	201630367691		2/2017
CN	201630367692		2/2017
CN	201630367975		2/2017
JP	D1545602	*	3/2016
KR	300898876.000	*	3/2017

OTHER PUBLICATIONS

Design U.S. Appl. No. 29/508,812, filed Nov. 11, 2014 entitled "Brush," Inventor: Brown et al.
 Design U.S. Appl. No. 29/553,835, filed Feb. 4, 2016 entitled "Brush Handle," Inventor: Morton et al.

Design U.S. Appl. No. 29/553,836, filed Feb. 4, 2016 entitled "Brush," Inventor: Morton et al.
 Design U.S. Appl. No. 29/553,837, filed Feb. 4, 2016 entitled "Brush," Inventor: Morton et al.
 Design U.S. Appl. No. 29/553,839, filed Feb. 4, 2016 entitled "Brush," Inventor: Morton et al.
 Design U.S. Appl. No. 29/552,840, filed Feb. 4, 2016 entitled "Brush Handle," Inventor: Morton et al.
 Goody Straight Talk Cushion Brush, [on-line]; [Internet publication date unknown]; [retrieved from the Internet on Apr. 14, 2017]; URL: <http://goody.comfProducts/Styling_Tools/Goody_Straight_Talk_Cushion_Brush?colld=e18f5ccd-1f19-46e2-a228-7310b139a20b&c_id=35a36c88-d359-4104-a53c-dfbfd8452780>; 2 pages.
 Goody Straight Talk Boar . . . Brush . . . ,[on-line];[Internet publication date unknown]; [retrieved from the Internet on Apr. 14, 2017]; URL: <http://www.goody.com/Products/Goody_Refresh/Goody_Straight_Talk_Boar_and_Nylon_Paddle_Hair_Brush_Blue_and_Grey?colid=c482e40d-18fd-4286-a49b-7f3f9802e148&c_id=35a36c88-d359-4104-a53c-dfbfd8452780>; 2 pages.
 Goody Smart Classics Vent Hair Brush; [Internet publication date unknown]; [retrieved from the Internet on Apr. 14, 2017]; URL: <http://www.goody.com!Products/Goody_Refresh!Goody_Smart_Classics_Vent_Hair_Brush?colld-c482e40d-18fd-4286-a49b-7f3f9802e148&c_id=35a36c88-d359-4104-a53c-dfbf8452780>; 2 pages.
 Goody Detangle It Vent . . . ,[on-line]; [Internet publication date unknown]; [retrieved from the Internet on Apr. 14, 2017]; URL: <http://www.goody.com/Products/Goody_Refresh/Goody_Detangle_It_Vent_and_Comb_Set_Purple_and_Grey?colld=c482e40d-18fd-4286-a49b-7f3f9802e148&c_id=35a36c88-d359-4104-a53c-dfbf8452780>; 2 pages.
 Goody Detangle It Cushion Brush, [on-line]; [Internet publication date unknown]; [retrieved from the Internet on Apr. 14, 2017]; URL: <http://www.goody.com!Products/Styling_Tools!Goody_Detangle_It_Cushion_Brush?colld=e18f5ccd-1f19-46e2-a228-7310b139a20b&c_id=35a36c88-d359-4104-a53c-dfbfd8452780>; 2 pages.
 Goody Detangle It . . . Purple, [on-line]; [Internet publication date unknown]; [retrieved from the Internet on Apr. 14, 2017]; URL: <http://www.goody.com/Products/Goody_Refresh/Goody_Detangle_It_Cushion_Hair_Brush_Purple?colld=c482e40d-18fd-4286-a49b-7f3f9802e148&c_id=35a36c88-d359-4104-a53c-dfbf8452780>; 2 pages.
 Goody Smart Classics Oval Cushion . . . ; [on-line]; [Internet publication date unknown]; [retrieved from the Internet on Apr. 14, 2017]; URL: <http://www.goody.com/Products/Goody_Refresh/Goody_Smart_Classics_Oval_Cushion_and_Oval_Cushion_Purse_Hair_Brush_Set?colld=c482e40d-18fd-4286-a49b-7f3f9802e148&c_id=35a36c88-d359-4104-a53c-dfbf8452780>; 2 pages.
 Goody Detangle It Paddle . . . [on-line]; [Internet publication date unknown]; [retrieved from the Internet on Apr. 14, 2017]; URL: <http://www.goody.com/Products/Goody_Refresh/Goody_Detangle_It_Paddle_Hair_Brush_Purple_and_Grey?colld=c482e40d-18fd-4286-a49b-7f3f9802e148&c_id=35a36c88-d359-4104-a53c-dfbf8452780>; 2 pages.
 U.S. Trademark Application #86595257 (new Registered Trademark #5138142) for "Amp It Up," filed on Apr. 13, 201 by Goody Products, Inc., First use in Commerce Date: Mar. 31, 2016. Publication Date: Sep. 8, 2015. Retrieved Feb. 10, 2017. 3 pages.

* cited by examiner

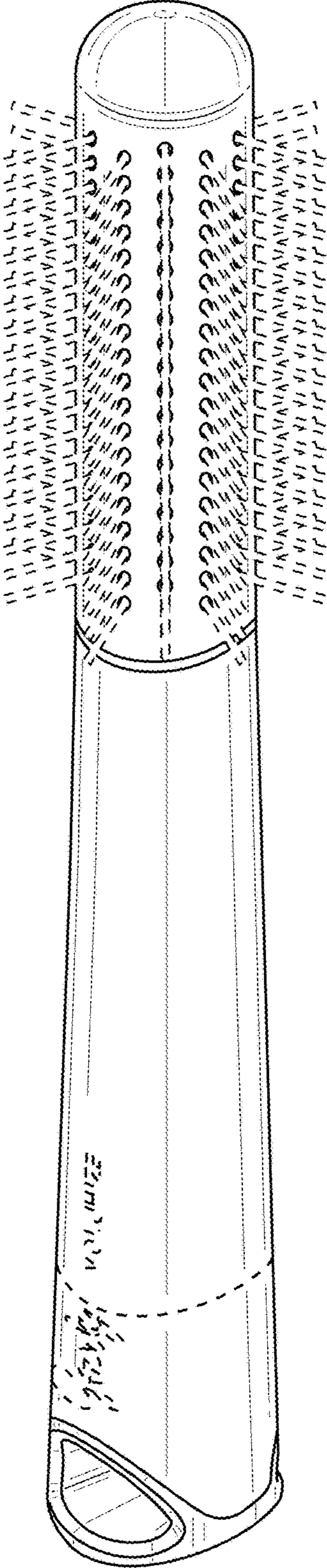


FIG. 1

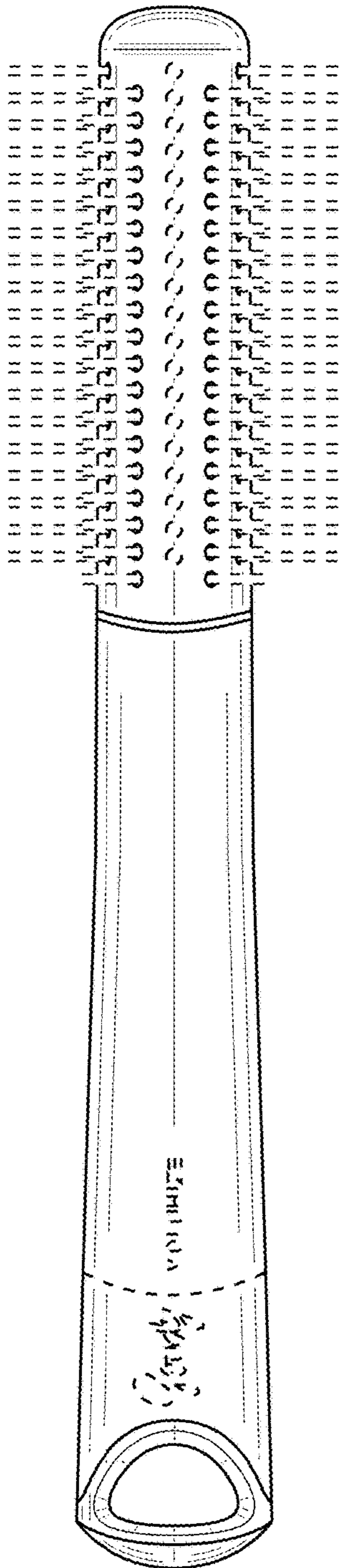


FIG. 2

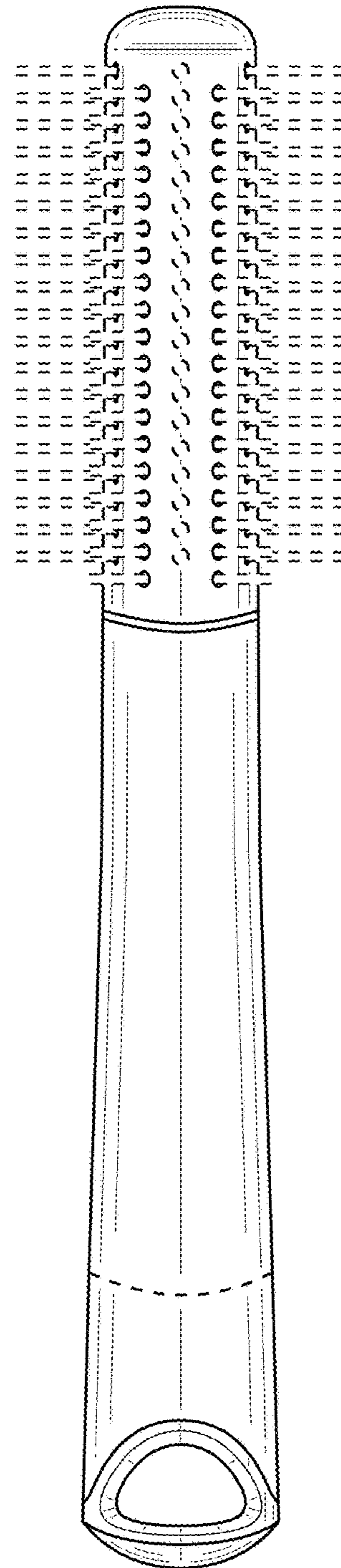


FIG. 3

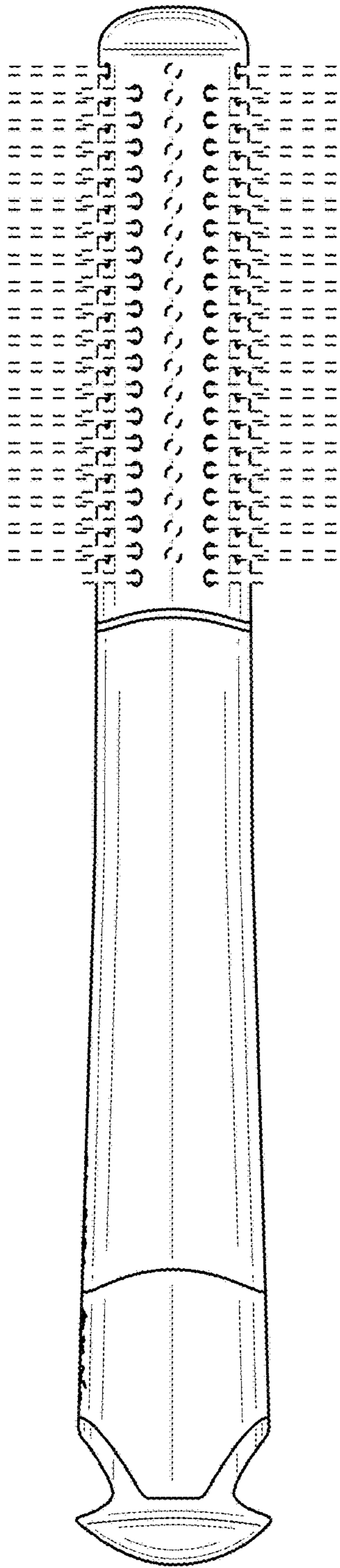


FIG. 4

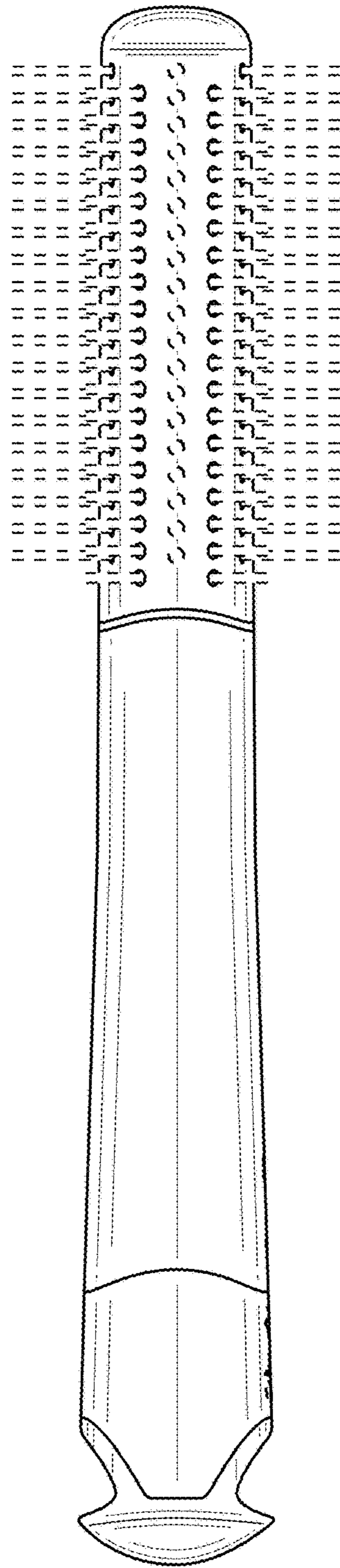


FIG. 5

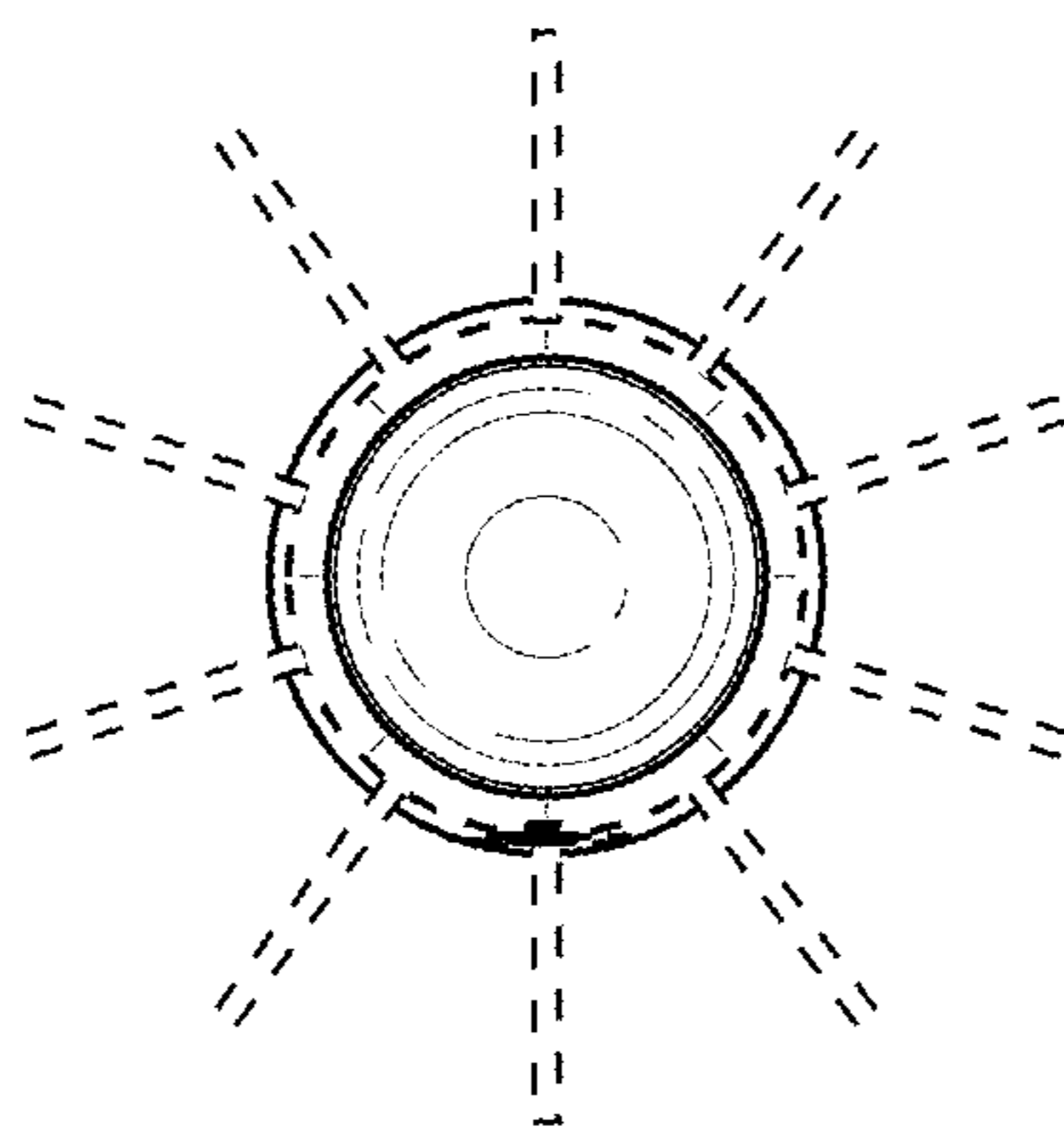


FIG. 6

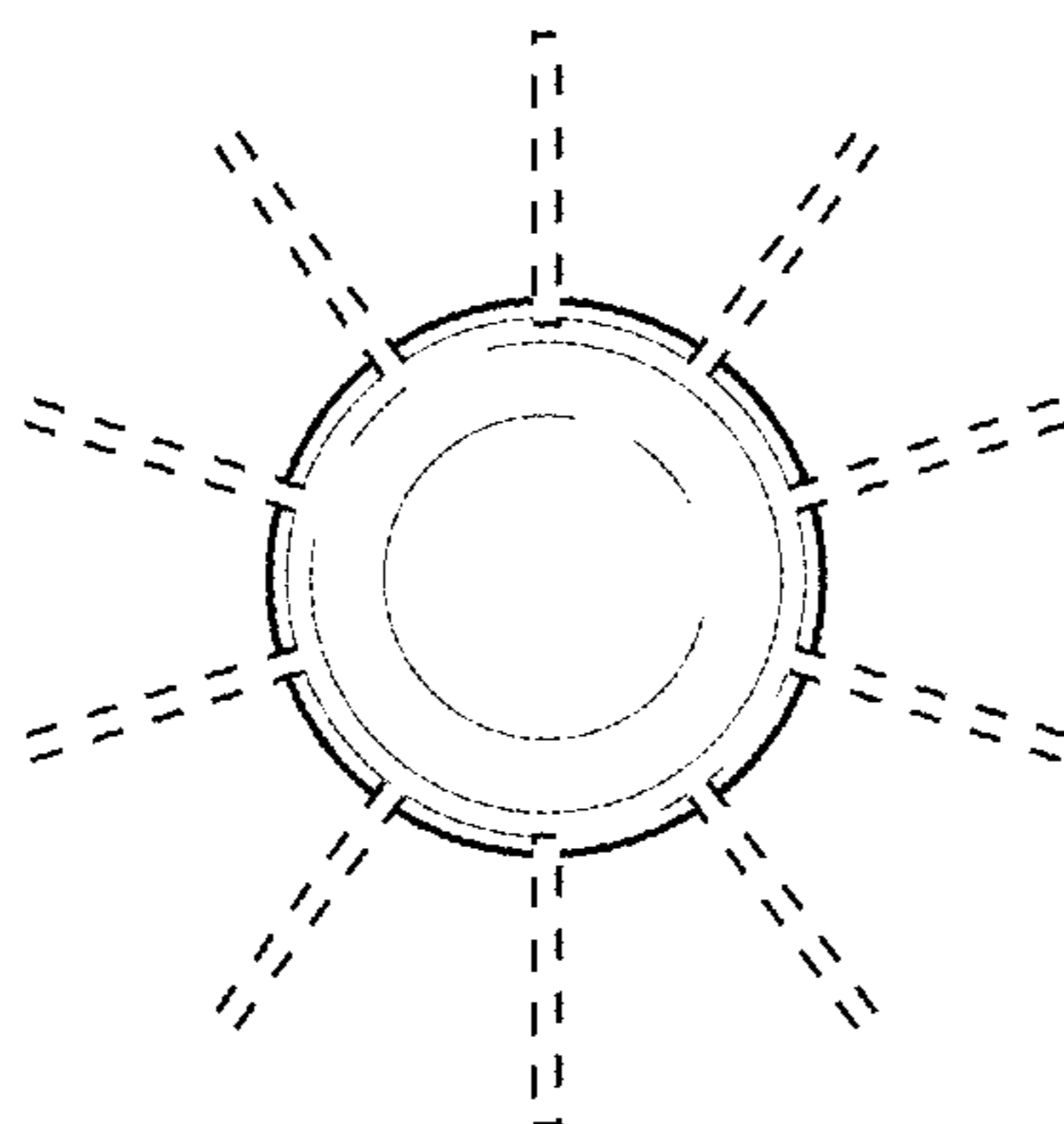


FIG. 7