



US00D805784S

(12) **United States Design Patent** (10) **Patent No.:** **US D805,784 S**
Wang (45) **Date of Patent:** **** Dec. 26, 2017**

(54) **LINT BROOM**

(71) Applicant: **EVRIHOLDER PRODUCTS, LLC,**
Anaheim, CA (US)

(72) Inventor: **Song Song Wang,** West Covina, CA
(US)

(73) Assignee: **EVRIHOLDER PRODUCTS, LLC,**
Anaheim, CA (US)

(**) Term: **15 Years**

(21) Appl. No.: **29/587,483**

(22) Filed: **Dec. 13, 2016**

(51) **LOC (10) Cl.** **04-01**

(52) **U.S. Cl.**
USPC **D4/120**

(58) **Field of Classification Search**
USPC D4/120, 119, 115, 116, 122, 199, 132;
D32/14.1, 50, 33, 32; D28/63;
15/104.002, 1.52, 221
CPC A47L 25/08; A46B 11/06
See application file for complete search history.

(56) **References Cited**

U.S. PATENT DOCUMENTS

5,148,571	A *	9/1992	Brazis	A47L 25/08
					15/104.002
D409,461	S *	5/1999	Kiefer	D4/119
5,966,771	A	10/1999	Stroud		
D463,669	S *	10/2002	Chih	D4/115
6,901,622	B2 *	6/2005	Thompson	A47L 25/08
					15/1.52
D520,698	S *	5/2006	Libman	D32/50
7,213,998	B2 *	5/2007	Hay	A46B 11/06
					15/221

D640,873	S *	7/2011	Seehoff	D4/120
D654,697	S *	2/2012	Ross	D4/116
D674,611	S *	1/2013	Gullatt	D4/122
D676,246	S *	2/2013	Gold	D4/122
D684,777	S *	6/2013	Raven	D4/199
D692,197	S *	10/2013	Rossano	D32/33
D693,078	S *	11/2013	Nordvik	D32/50
D693,079	S *	11/2013	Nordvik	D32/50
D706,987	S *	6/2014	Rodriguez	D28/63
D735,958	S *	8/2015	Koptis	D32/14.1
D747,884	S *	1/2016	Chalifoux	D4/132
D757,446	S *	5/2016	Ewert	D4/116
D774,777	S *	12/2016	Schlegel	D4/120
D782,203	S *	3/2017	Fortier	D4/199

* cited by examiner

Primary Examiner — Rhea Shields

(74) *Attorney, Agent, or Firm* — Louis C. Paul & Associates, PLLC

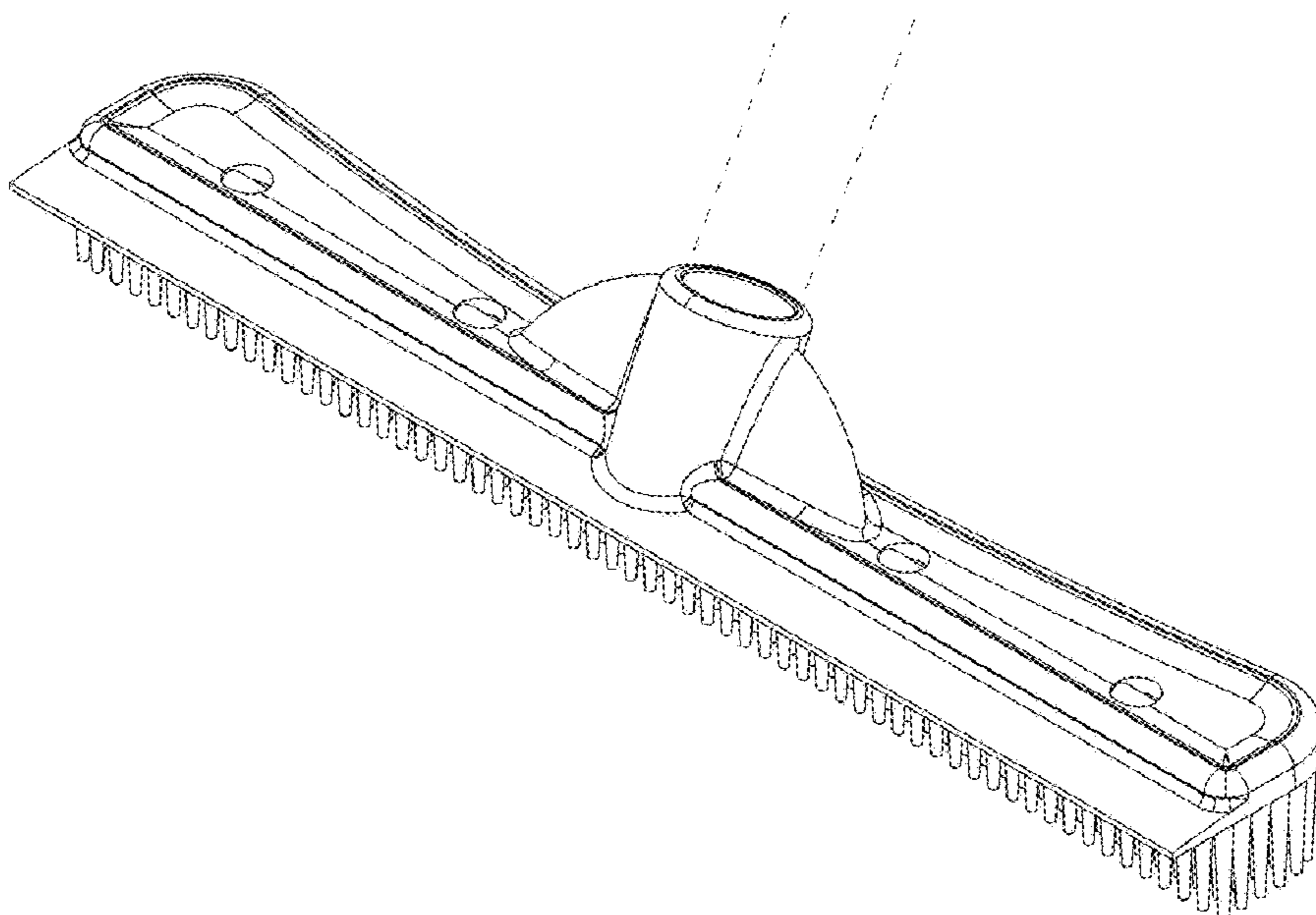
(57) **CLAIM**

The ornamental design for a lint broom, as shown and described.

DESCRIPTION

FIG. 1 is a top view of the lint broom.
FIG. 2 is a bottom view of the lint broom
FIG. 3 is a front view of the lint broom.
FIG. 4 is a rear view of the lint broom.
FIG. 5 is a left side view of the lint broom; the right view being a mirror image thereof; and,
FIG. 6 is a perspective view of the lint broom.
In the drawings, the broken lines are for the purpose of illustrating environment only and form no part of the claimed design.

1 Claim, 3 Drawing Sheets



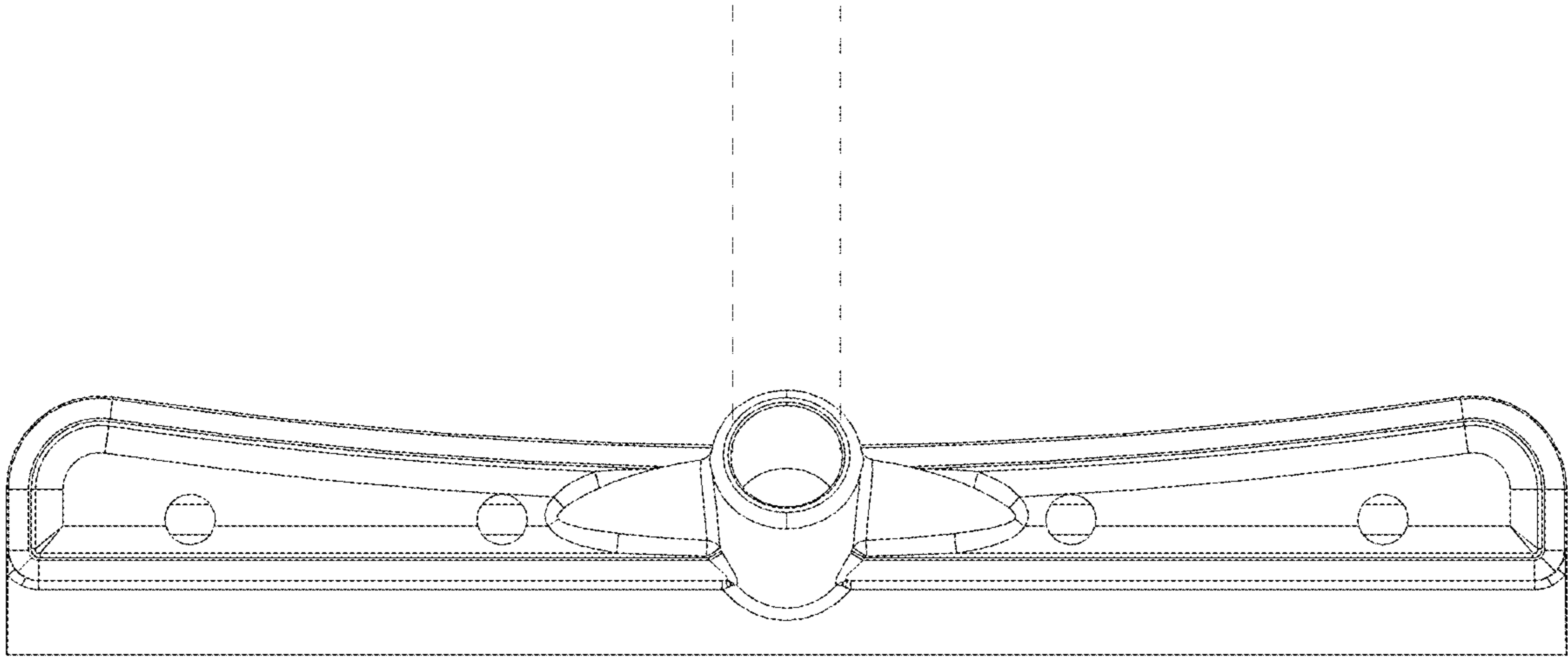


FIG. 1

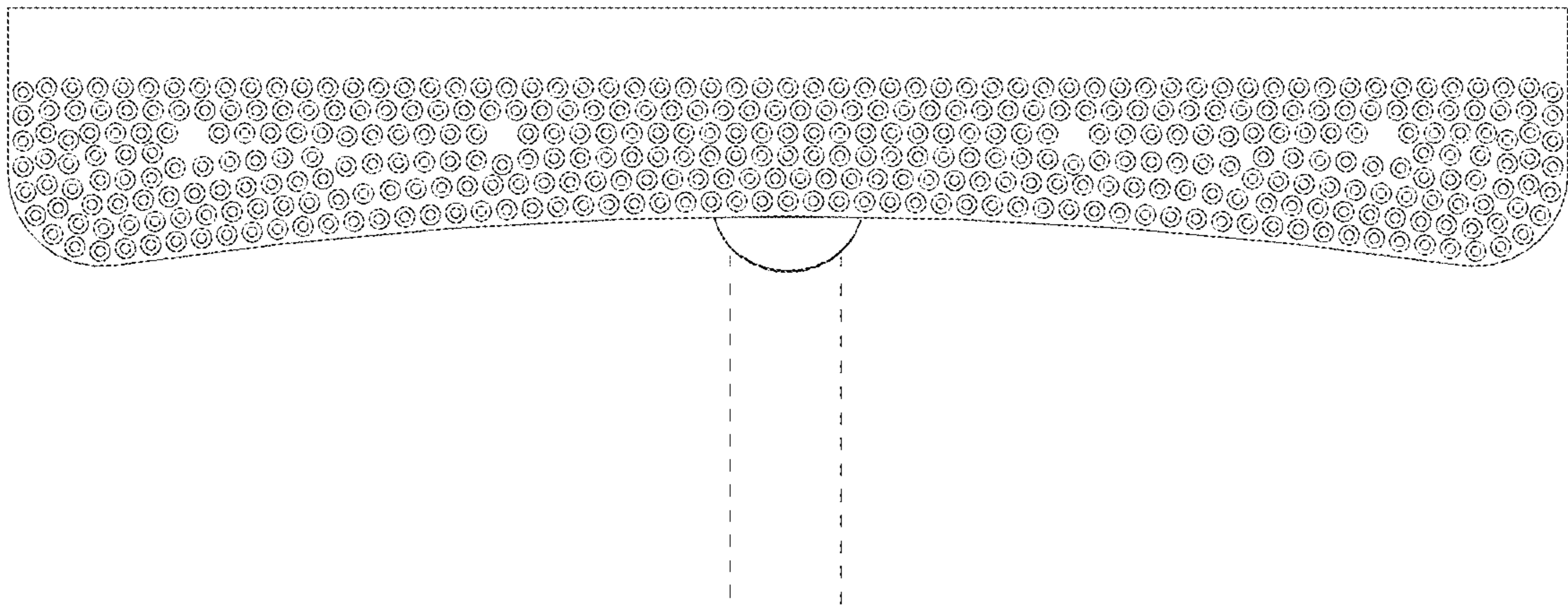


FIG. 2

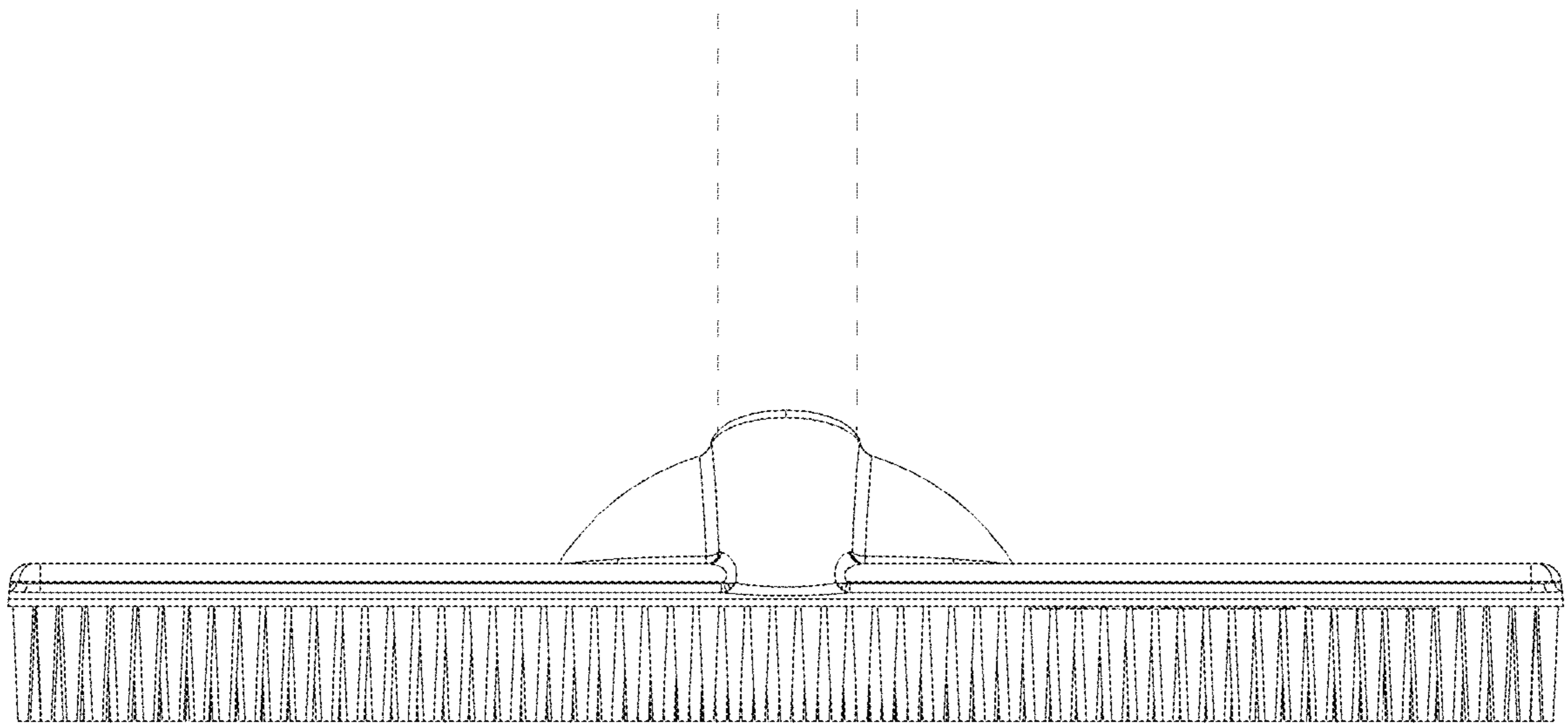


FIG. 3

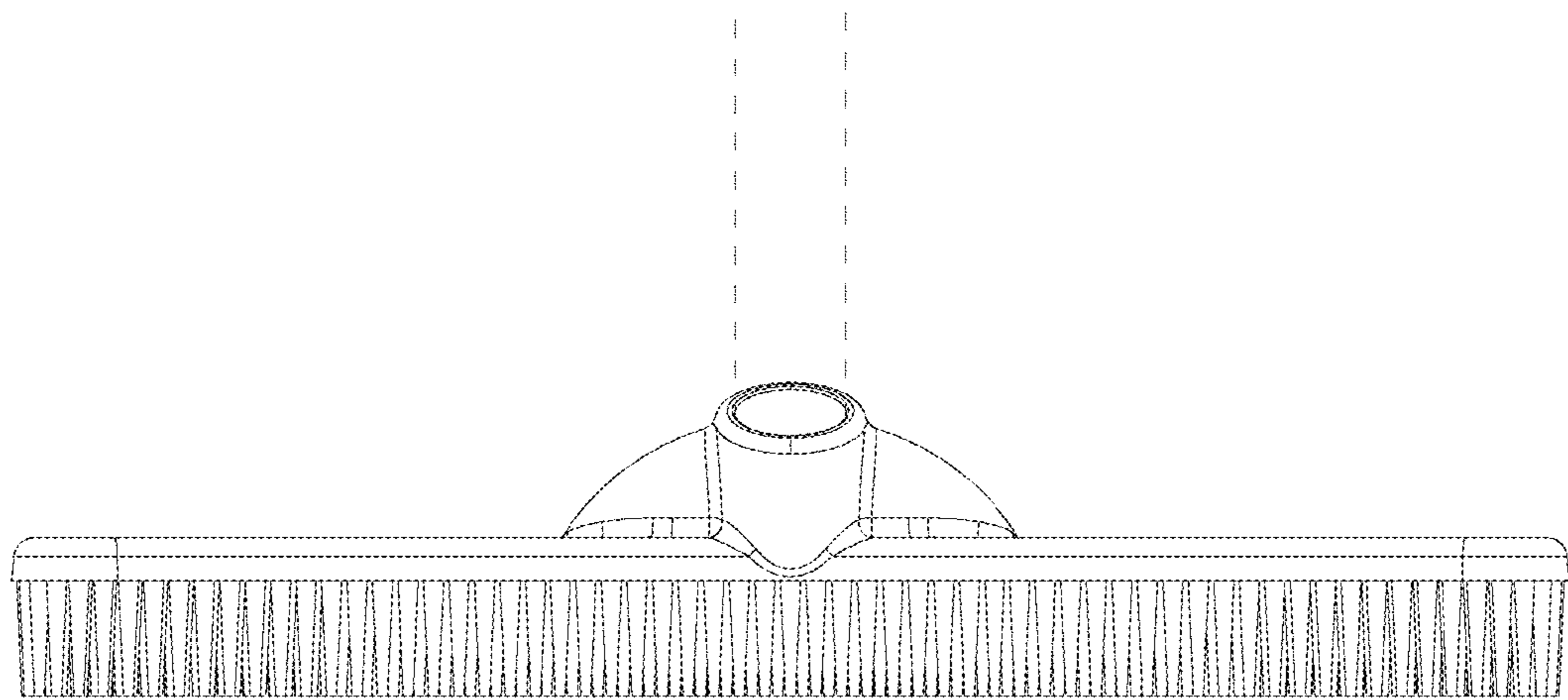


FIG. 4

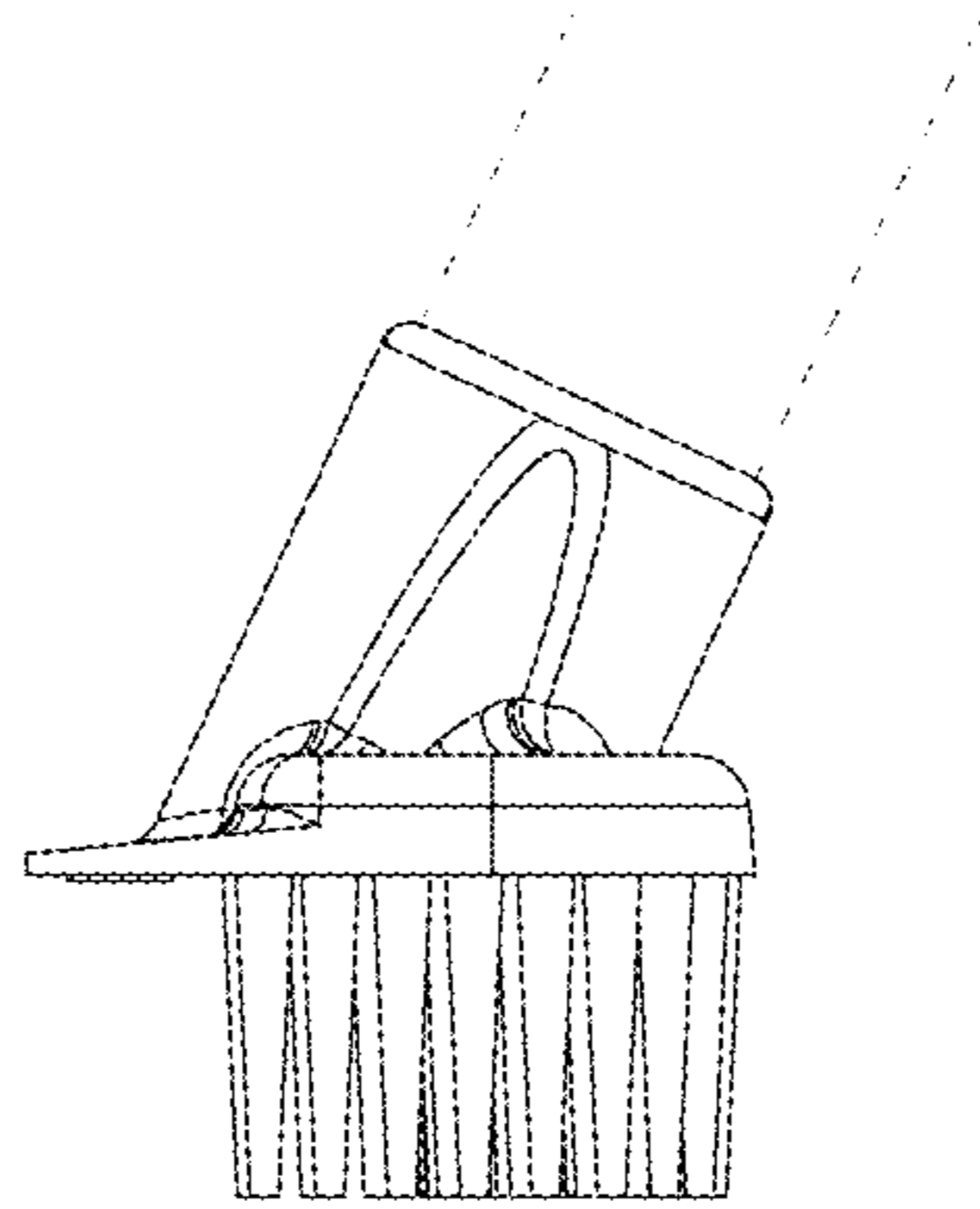


FIG. 5

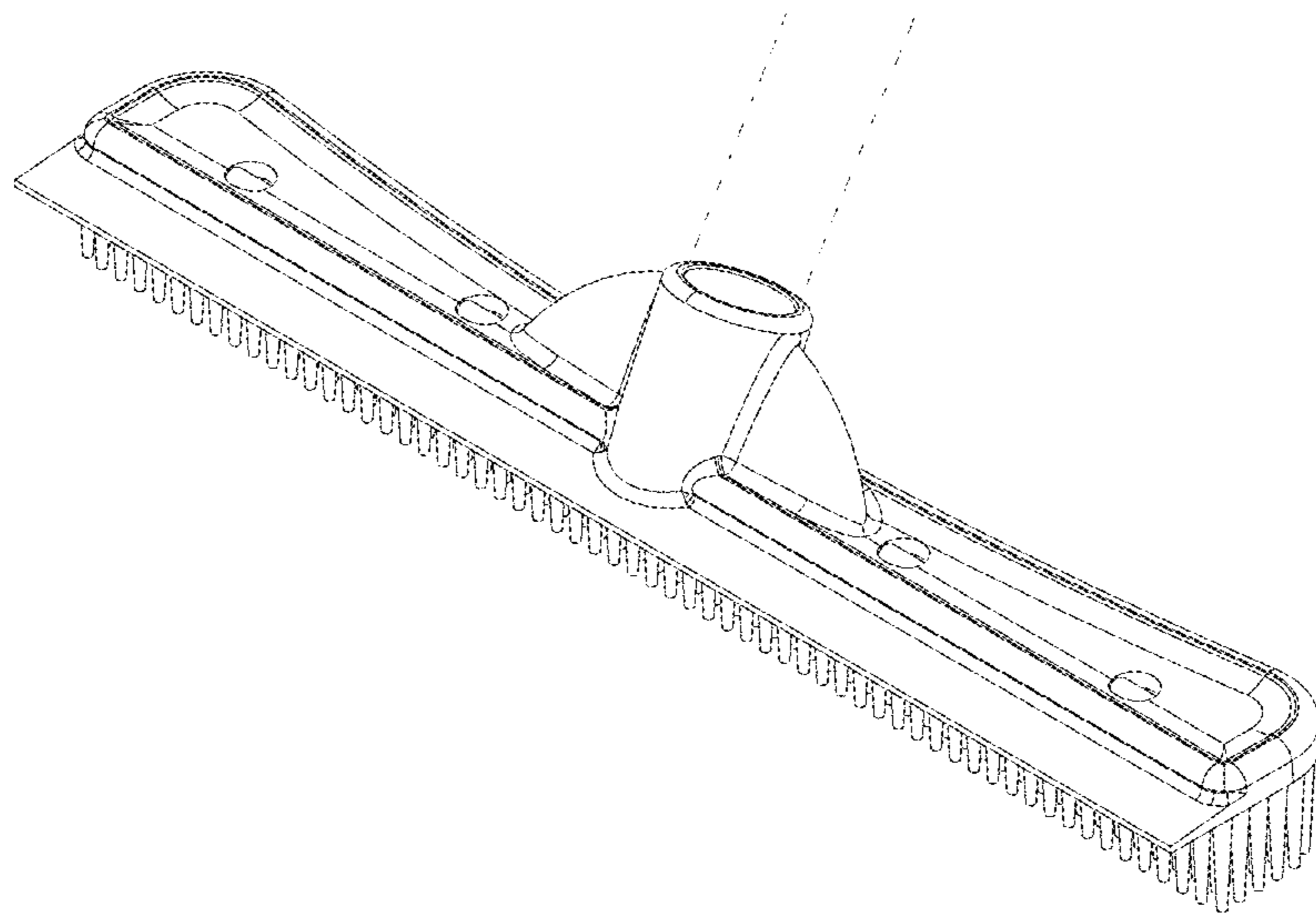


FIG. 6