



US00D805782S

(12) **United States Design Patent** (10) **Patent No.:** **US D805,782 S**
Liu (45) **Date of Patent:** **** Dec. 26, 2017**

(54) **BRUSH HEAD FOR AN ELECTRIC TOOTHBRUSH**
(71) Applicant: **Yihan Liu**, Heilongjiang (CN)
(72) Inventor: **Yihan Liu**, Heilongjiang (CN)
(**) Term: **15 Years**
(21) Appl. No.: **29/551,492**
(22) Filed: **Jan. 13, 2016**
(30) **Foreign Application Priority Data**
Aug. 14, 2015 (CN) 2015 3 0306158
(51) **LOC (10) Cl.** **04-02**
(52) **U.S. Cl.**
USPC **D4/109**
(58) **Field of Classification Search**
USPC D4/100, 104, 109, 110, 116, 119, 121,
D4/127, 129, 130, 136, 137, 138;
D28/50, 59
CPC A46B 15/0081; A46B 2200/1026; A46B
3/22; A46B 9/005; A46B 9/026; A46B
9/06
See application file for complete search history.

(56) **References Cited**
U.S. PATENT DOCUMENTS
2,124,647 A * 7/1938 Bauler A46B 9/04
15/167.1
2,960,712 A * 11/1960 Hayer A61C 17/00
15/179
3,739,416 A * 6/1973 Kurachi A61C 17/26
15/23
D232,278 S * 8/1974 Gallo D4/101
4,163,300 A * 8/1979 Quint A61C 17/26
15/23
4,603,448 A * 8/1986 Middleton A61C 17/26
15/22.1

5,035,020 A * 7/1991 Winiewski A46B 7/10
15/23
D326,361 S * 5/1992 Layman D4/104
D346,446 S * 4/1994 Linzey D24/200
5,822,821 A * 10/1998 Sham A46B 13/02
15/22.1
D424,303 S * 5/2000 Tobias D4/111
D455,012 S * 4/2002 Perez D4/105
D678,684 S * 3/2013 Hammer D4/128
D687,227 S * 8/2013 Hill D4/101
D702,947 S * 4/2014 Lee D4/101
D743,173 S * 11/2015 Sohn D4/101
2007/0277338 A1* 12/2007 Takeuchi A46B 9/026
15/167.1
2011/0314624 A1* 12/2011 Kubo A46B 5/02
15/167.1
2016/0100923 A1* 4/2016 Lee A61C 17/3418
15/22.1

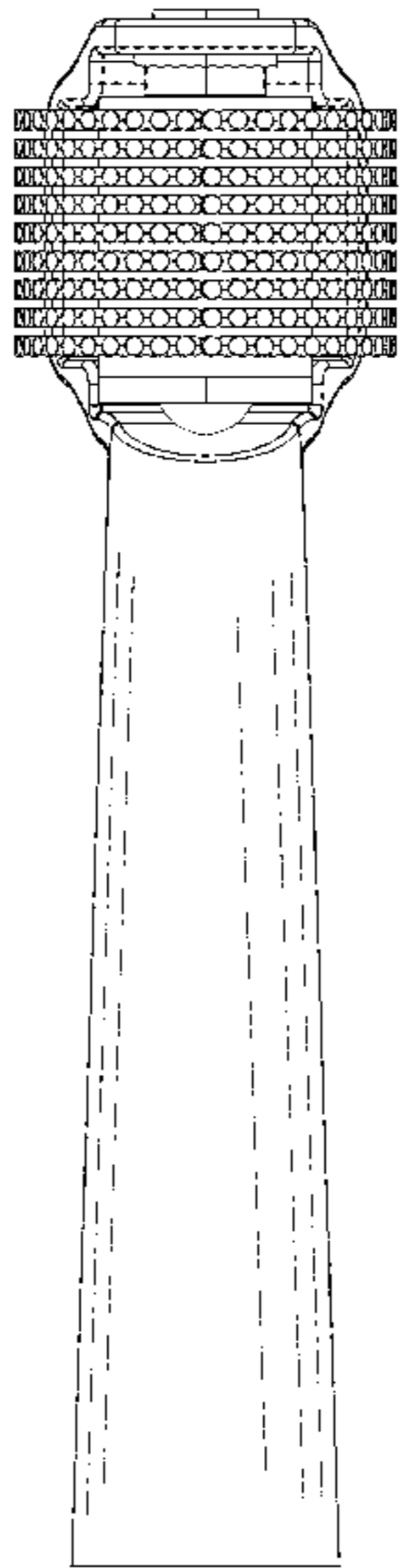
* cited by examiner

Primary Examiner — Caron D Veynar
Assistant Examiner — Katrina N Gonzalez

(57) **CLAIM**
The ornamental design for a brush head for an electric toothbrush, as shown and described.

DESCRIPTION
FIG. 1 is a front elevational view of a brush head for an electric toothbrush showing my new design;
FIG. 2 is a rear elevational view of FIG. 1;
FIG. 3 is a left side view of FIG. 1;
FIG. 4 is a right side view of FIG. 1;
FIG. 5 is a top plan view of FIG. 1;
FIG. 6 is a bottom plan view of FIG. 1;
FIG. 7 is a first perspective view of FIG. 1;
FIG. 8 is a second perspective view of FIG. 1;
FIG. 9 is a third perspective view of FIG. 1; and,
FIG. 10 is a fourth perspective view of FIG. 1.
The broken lines are shown for the purpose of illustrating parts of the article that form no part of the claimed design.

1 Claim, 10 Drawing Sheets



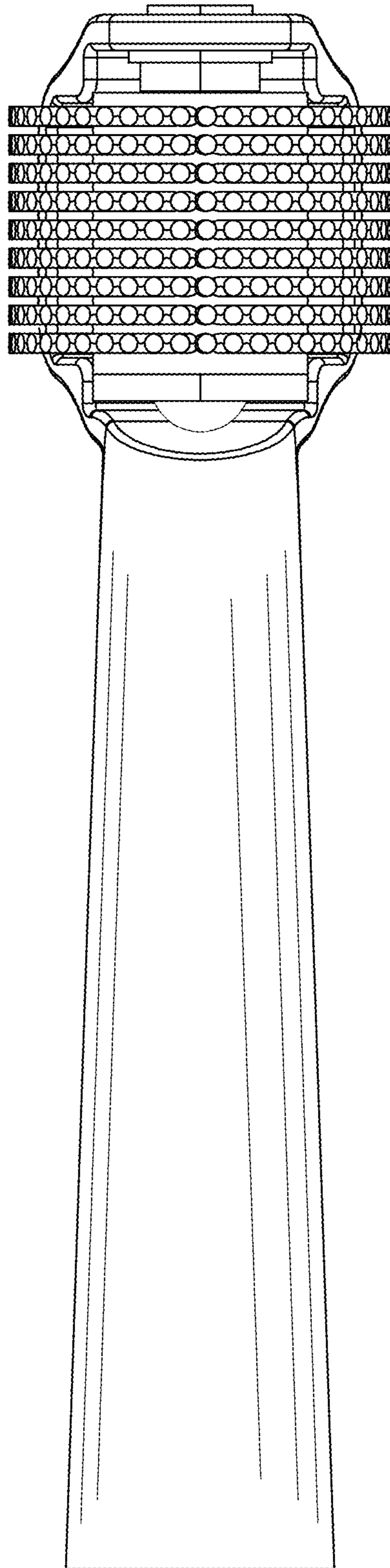


FIG. 1

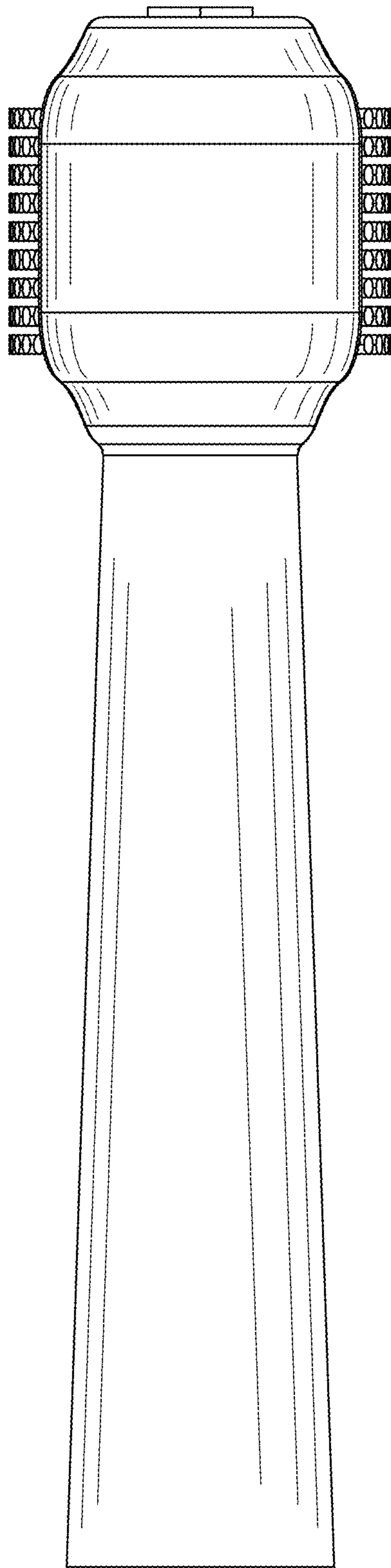


FIG. 2

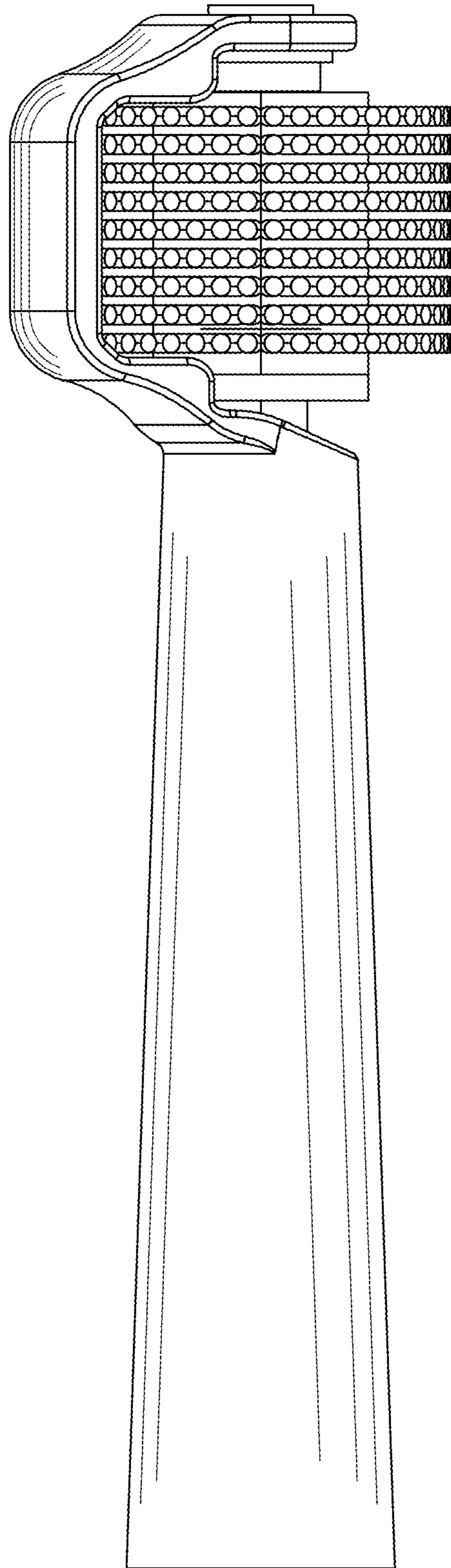


FIG. 3

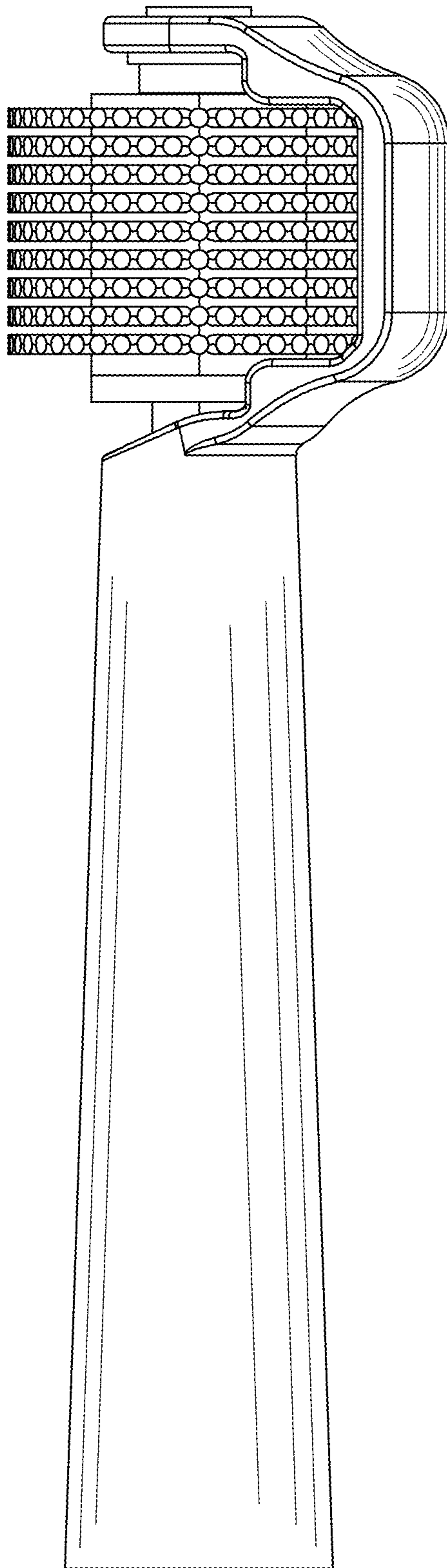


FIG. 4

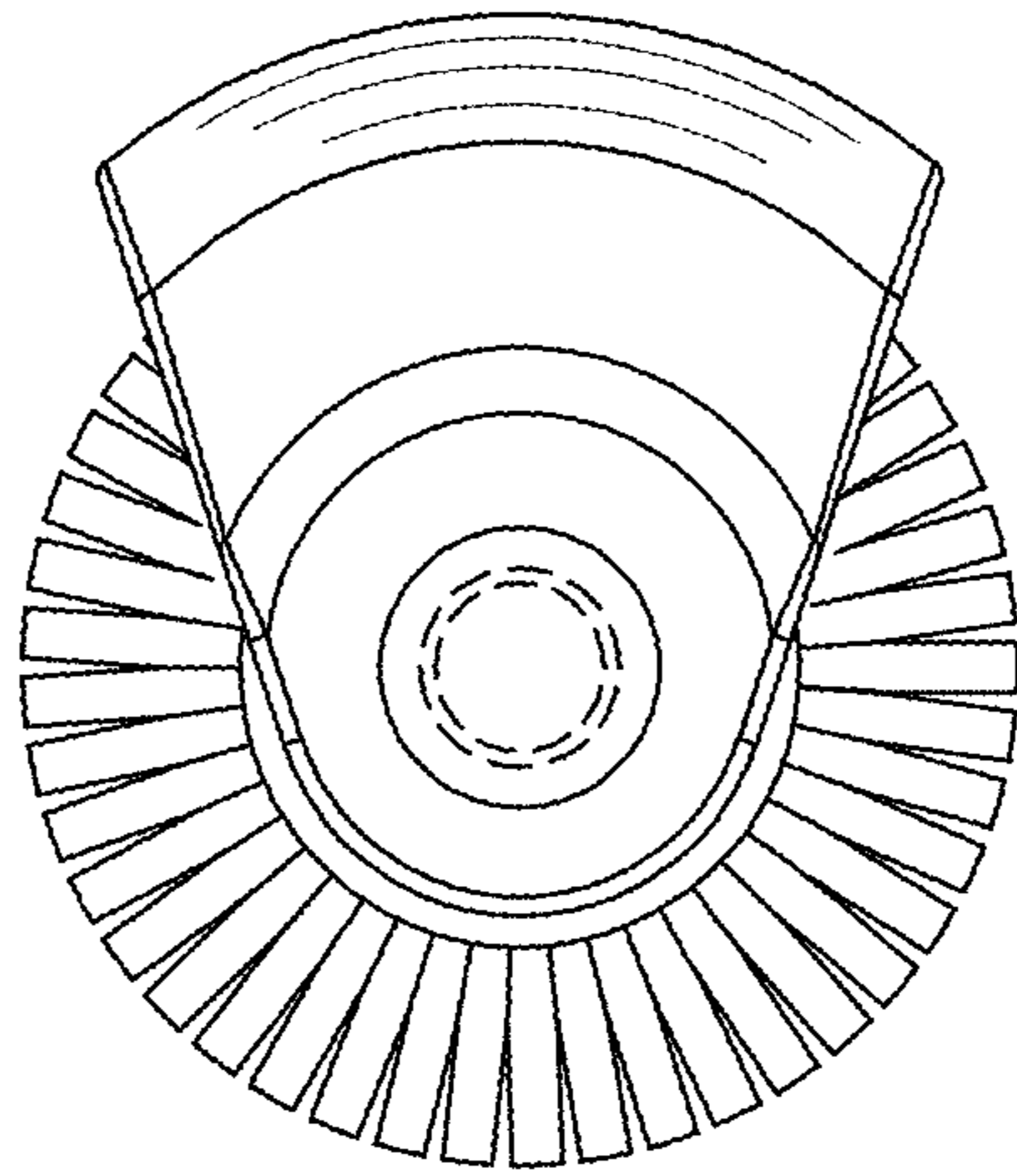


FIG. 5

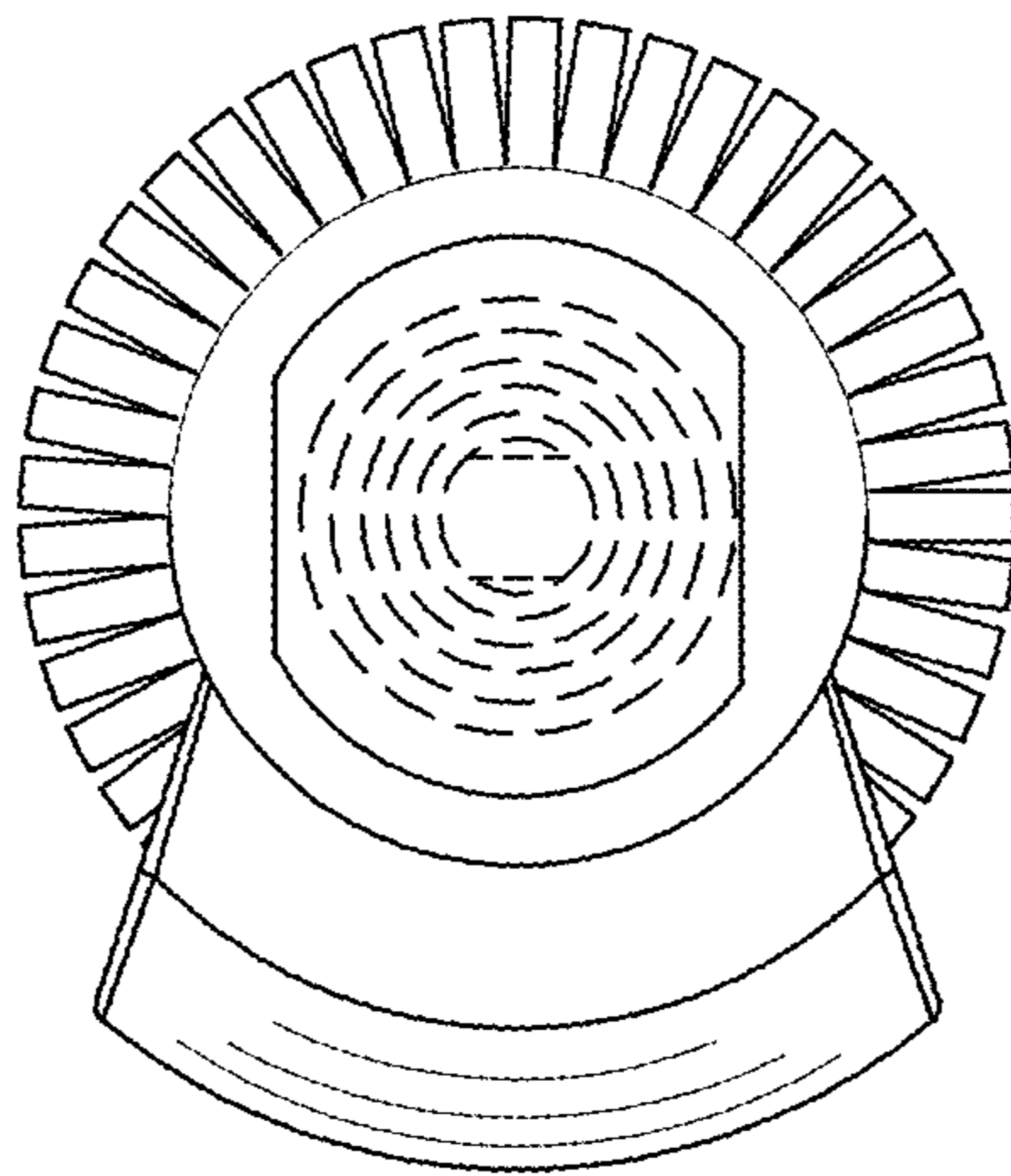


FIG. 6

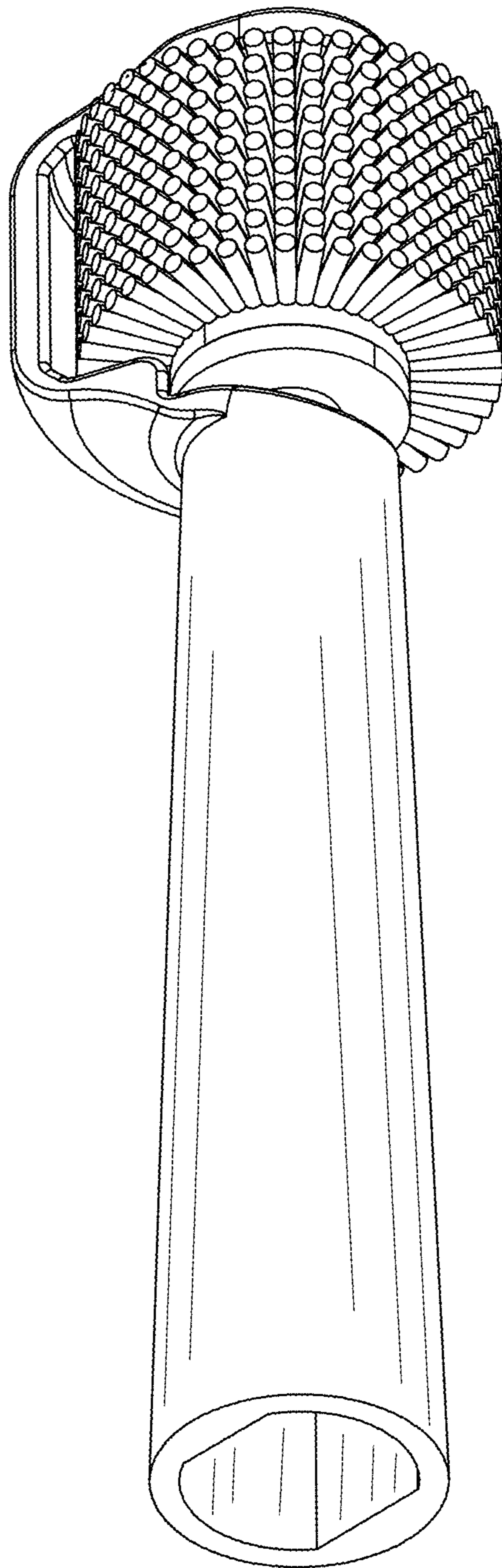


FIG. 7

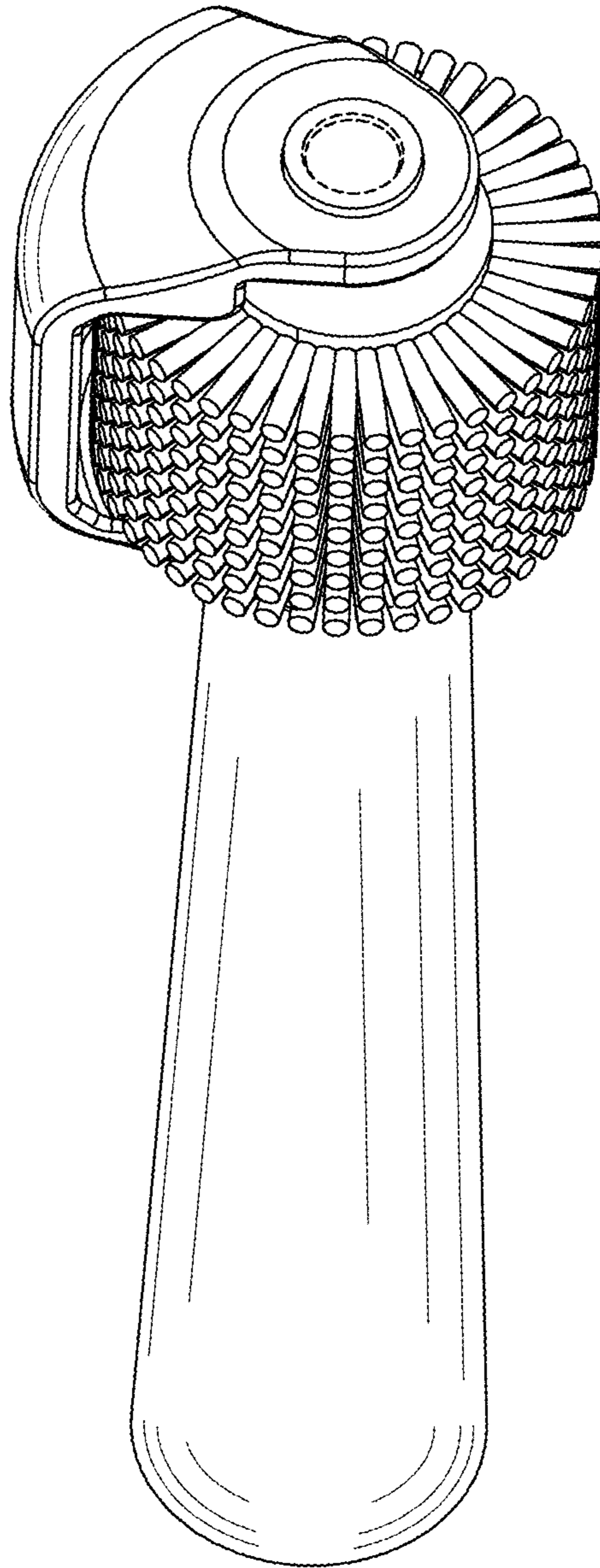


FIG. 8

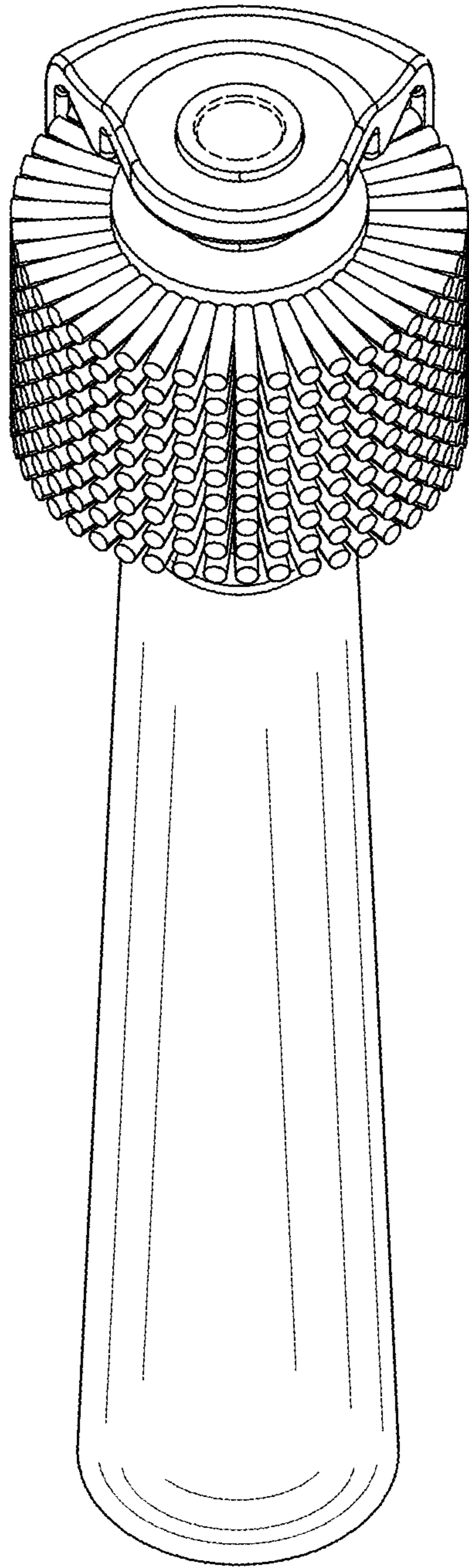


FIG. 9

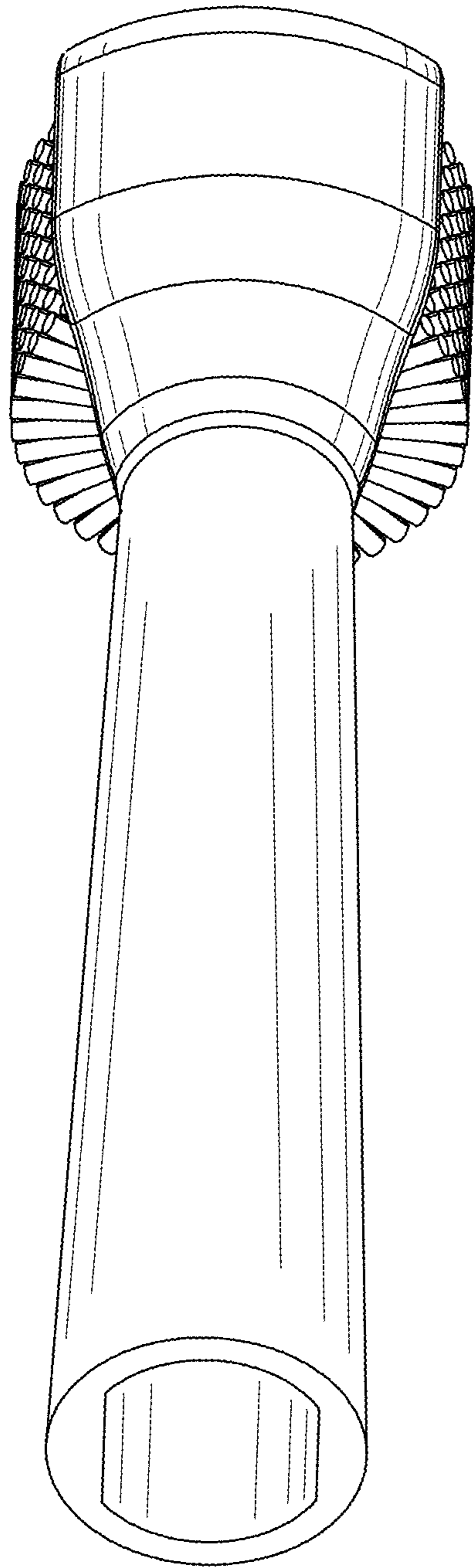


FIG. 10